



US00D735205S

(12) **United States Design Patent**  
**Akana et al.**

(10) **Patent No.:** **US D735,205 S**  
(45) **Date of Patent:** **\*\* \*Jul. 28, 2015**

(54) **CASE**

(71) Applicant: **Apple Inc.**, Cupertino, CA (US)  
(72) Inventors: **Jody Akana**, San Francisco, CA (US);  
**Bartley K. Andre**, Palo Alto, CA (US);  
**Shota Aoyagi**, San Francisco, CA (US);  
**Jeremy Bataillou**, San Francisco, CA (US);  
**Daniel J. Coster**, San Francisco, CA (US);  
**Daniele De Iuliis**, San Francisco, CA (US);  
**M. Evans Hankey**, San Francisco, CA (US);  
**Julian Hoenig**, San Francisco, CA (US);  
**Richard P. Howarth**, San Francisco, CA (US);  
**Duncan Robert Kerr**, San Francisco, CA (US);  
**Matthew Dean Rohrbach**, San Francisco, CA (US);  
**Peter Russell-Clarke**, San Francisco, CA (US);  
**Mikael Silvano**, San Francisco, CA (US);  
**Christopher J. Stringer**, Woodside, CA (US);  
**Eugene Antony Whang**, San Francisco, CA (US);  
**Rico Zörkendörfer**, San Francisco, CA (US)

(73) Assignee: **Apple Inc.**, Cupertino, CA (US)

(\*) Notice: This patent is subject to a terminal disclaimer.

(\*\*) Term: **14 Years**

(21) Appl. No.: **29/470,472**

(22) Filed: **Oct. 22, 2013**

(51) **LOC (10) Cl.** ..... **14-02**

(52) **U.S. Cl.**  
USPC ..... **D14/440**

(58) **Field of Classification Search**

USPC ..... D14/250, 251, 253, 240, 217, 496,  
D14/203.3, 203.4, 203.5, 203.8, 440, 238.1,  
D14/432, 439, 300; D3/201, 273, 274, 290,  
D3/294, 300-303, 315, 318, 319,  
D3/323-328; 190/100-127, 900-903;  
361/679.56; 455/575.8; 292/342, 343;  
248/371, 152, 174, 459

See application file for complete search history.

(56) **References Cited**

**U.S. PATENT DOCUMENTS**

2,968,176 A 1/1961 Collings  
3,442,371 A 5/1969 Deshong et al.

(Continued)

**FOREIGN PATENT DOCUMENTS**

EM 001266266-0001 3/2011  
EM 001266282-0001 3/2011

(Continued)

**OTHER PUBLICATIONS**

<http://blog.scoopz.com/2011/07/15/cool-bananas-smartshell-ipad-2-case-review/>; Cool Bananas SmartShell Case, Jul. 2011.\*

(Continued)

*Primary Examiner* — Caron D Veynar

*Assistant Examiner* — Holly E Thurman

(74) *Attorney, Agent, or Firm* — Sterne, Kessler, Goldstein & Fox P.L.L.C.

(57) **CLAIM**

The ornamental design for a case, as shown and described.

**DESCRIPTION**

FIG. 1 is a bottom front perspective view of a case showing our new design;

FIG. 2 is a front view thereof;

FIG. 3 is a rear view thereof;

FIG. 4 is a left side view thereof;

FIG. 5 is a right side view thereof;

FIG. 6 is a top view thereof; and

FIG. 7 is a bottom view thereof;

FIG. 8 is a cross-sectional view taken along the line 8-8 in FIG. 2;

FIG. 9 is a bottom front perspective view of another embodiment of a case showing our new design;

FIG. 10 is a front view thereof;

FIG. 11 is a rear view thereof;

FIG. 12 is a left side view thereof;

FIG. 13 is a right side view thereof;

FIG. 14 is a top view thereof;

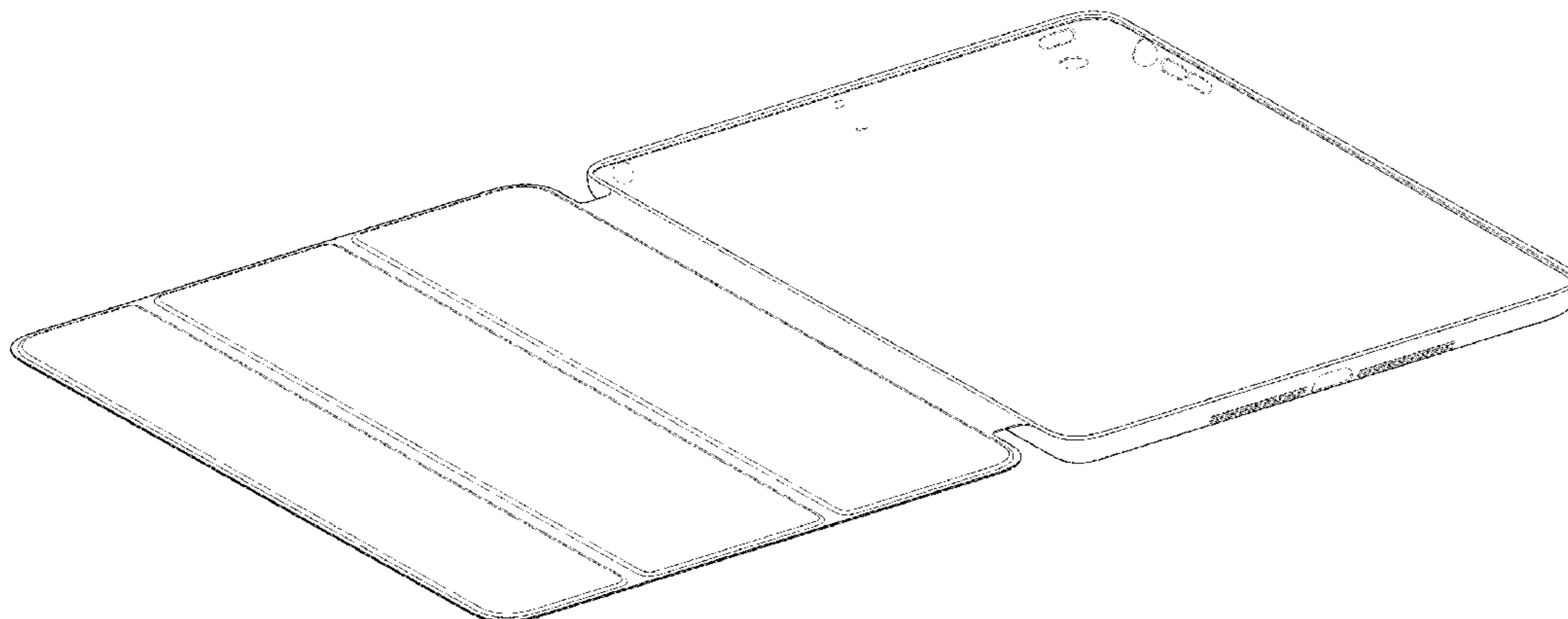
FIG. 15 is a bottom view thereof; and,

FIG. 16 is a cross-sectional view taken along the line 16-16 in FIG. 10.

The broken lines in the Figures show unclaimed portions of the case and form no part of the claimed design.

The cross-hatched shading in the Figures forms no part of the claimed design.

**1 Claim, 12 Drawing Sheets**



(56)

References Cited

U.S. PATENT DOCUMENTS

4,718,550 A 1/1988 Johnson  
 D321,855 S 11/1991 Ross, Jr.  
 5,066,158 A 11/1991 Huang  
 5,092,354 A 3/1992 Pacelli, Jr.  
 D331,191 S 11/1992 Ventola et al.  
 D364,191 S 11/1995 Allen  
 D409,667 S 5/1999 Riley et al.  
 D454,110 S 3/2002 Andre et al.  
 D467,429 S 12/2002 Bone et al.  
 D512,100 S 11/2005 Howes et al.  
 D538,096 S 3/2007 Bartell et al.  
 D556,681 S 12/2007 Kim  
 D574,819 S 8/2008 Andre et al.  
 D582,405 S 12/2008 Andre et al.  
 D583,479 S 12/2008 Yim  
 D584,141 S 1/2009 Smith et al.  
 D606,751 S 12/2009 Andre et al.  
 D619,361 S 7/2010 Andre et al.  
 D622,716 S 8/2010 Andre et al.  
 D627,777 S 11/2010 Akana et al.  
 D633,388 S 3/2011 Andre et al.  
 D637,814 S 5/2011 Akana et al.  
 D656,495 S 3/2012 Andre et al.  
 8,143,982 B1 \* 3/2012 Lauder et al. .... 335/219  
 D658,186 S 4/2012 Akana et al.  
 D658,187 S 4/2012 Diebel  
 D658,188 S 4/2012 Diebel  
 D662,100 S 6/2012 Van Den Nieuwenhuizen et al.  
 D662,503 S 6/2012 Akana et al.  
 D670,692 S 11/2012 Akana et al.  
 8,328,008 B2 \* 12/2012 Diebel et al. .... 206/45.24  
 D685,801 S \* 7/2013 Canizares et al. .... D14/440  
 D685,803 S \* 7/2013 Akana et al. .... D14/440  
 D688,251 S 8/2013 Akana et al.  
 D691,142 S \* 10/2013 Diebel ..... D14/440  
 D691,143 S \* 10/2013 Diebel ..... D14/440  
 D704,702 S \* 5/2014 Akana et al. .... D14/341  
 D706,270 S \* 6/2014 Akana et al. .... D14/440  
 D708,836 S \* 7/2014 Lee ..... D3/201  
 8,794,436 B2 \* 8/2014 Hsu ..... 206/320  
 2009/0107858 A1 4/2009 Huang

2009/0194209 A1 8/2009 De Filippis et al.  
 2010/0289390 A1 11/2010 Kenney  
 2010/0300909 A1 12/2010 Hung  
 2011/0164365 A1 7/2011 McClure et al.  
 2011/0227463 A1 \* 9/2011 Hou et al. .... 312/223.1  
 2012/0140396 A1 \* 6/2012 Zelif et al. .... 361/679.09  
 2012/0194448 A1 \* 8/2012 Rothkopf ..... 345/173

FOREIGN PATENT DOCUMENTS

EM 001266290-0001 3/2011  
 GB 4020173 6/2011  
 TW D154071 S 6/2013

OTHER PUBLICATIONS

[http://www.amazon.com/Fintie-iPad-mini-Retina-Display/dp/B009T4K9BS/ref=sr\\_1\\_22?s=electronics&ie=UTF8&qid=1410209701&sr=1-22&keywords=fintie+case](http://www.amazon.com/Fintie-iPad-mini-Retina-Display/dp/B009T4K9BS/ref=sr_1_22?s=electronics&ie=UTF8&qid=1410209701&sr=1-22&keywords=fintie+case) ; Fintie SmartShell Case, Aug. 2012.\*  
 Incase, "Introducing the Convertible Magazine Jacket for iPad," [goincase.com](http://goincase.com/blog/2010/11/23/introducing-the-convertible-magazine-jacket-for-ipad/), accessed at <http://goincase.com/blog/2010/11/23/introducing-the-convertible-magazine-jacket-for-ipad/>, posted Nov. 23, 2010, 7 pages.  
 Case-Parts, "Original Targus Folding Geuniune Leather Case for Apple iPad with Built-in Holder," <http://www.case-parts.com/details/Original-Targus-Folding-Genuine-Leather-Case-for-Apple-iPad-with-Built-in-Holder-IPAD-570/photos.htm>, 3 pages.  
 "Review: AViiQ Smart Case for iPad 2 ", which was published on YouTube at <http://www.youtube.com/watch?v=DaHjzeVWEuA>, May 24, 2011, 3 pages.  
 "AViiQ Smart Case for iPad 2 compliments Apple's Smart Cover (Review)", which was published on YouTube at <http://www.youtube.com/watch?v=wMoZM-ZSn4g>, Aug. 31, 2011, 2 pages.  
 Youtube.com, "iPad 2—Best Protective Case—Smart Cover + Smart Cover Back by Simplism", (<http://www.youtube.com/watch?v=SRHhU98NAAd0&feature=endscreen&NR=1>), May 15, 2011.  
 The First iPad 2 Smart Cover Clones are Here,' which was published on Gizmodo.com at <http://gizmodo.com/5782270/the-first-ipad-2-smart-cover-clones-are-here>, Mar. 15, 2011, 2 pages.

\* cited by examiner

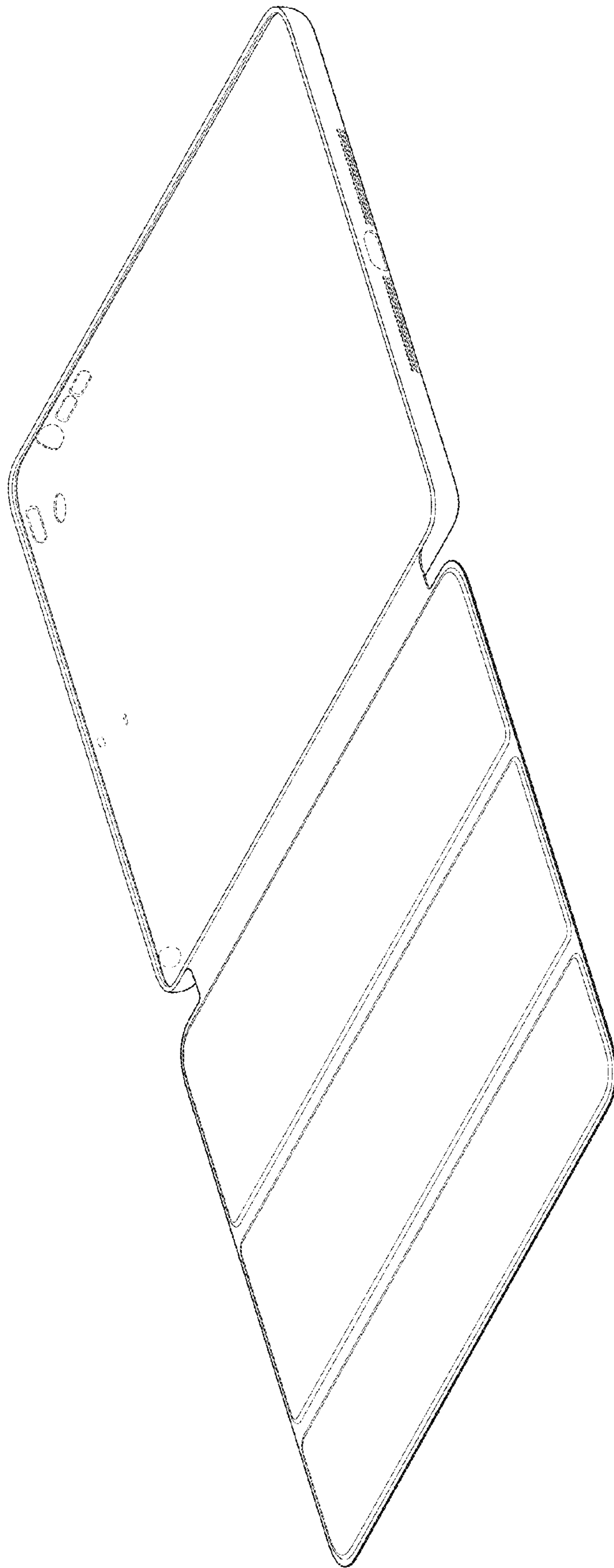


FIG.1

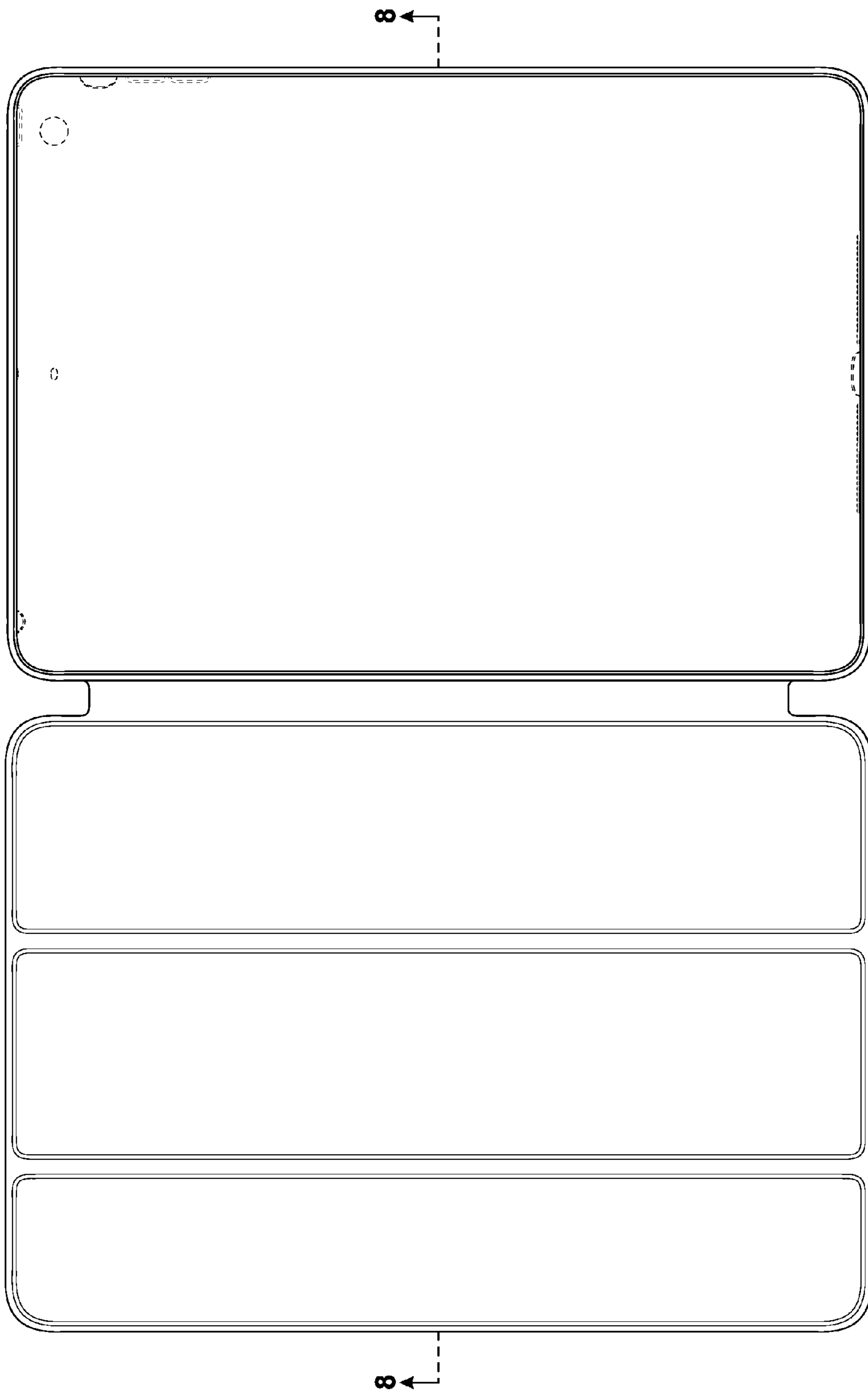


FIG. 2

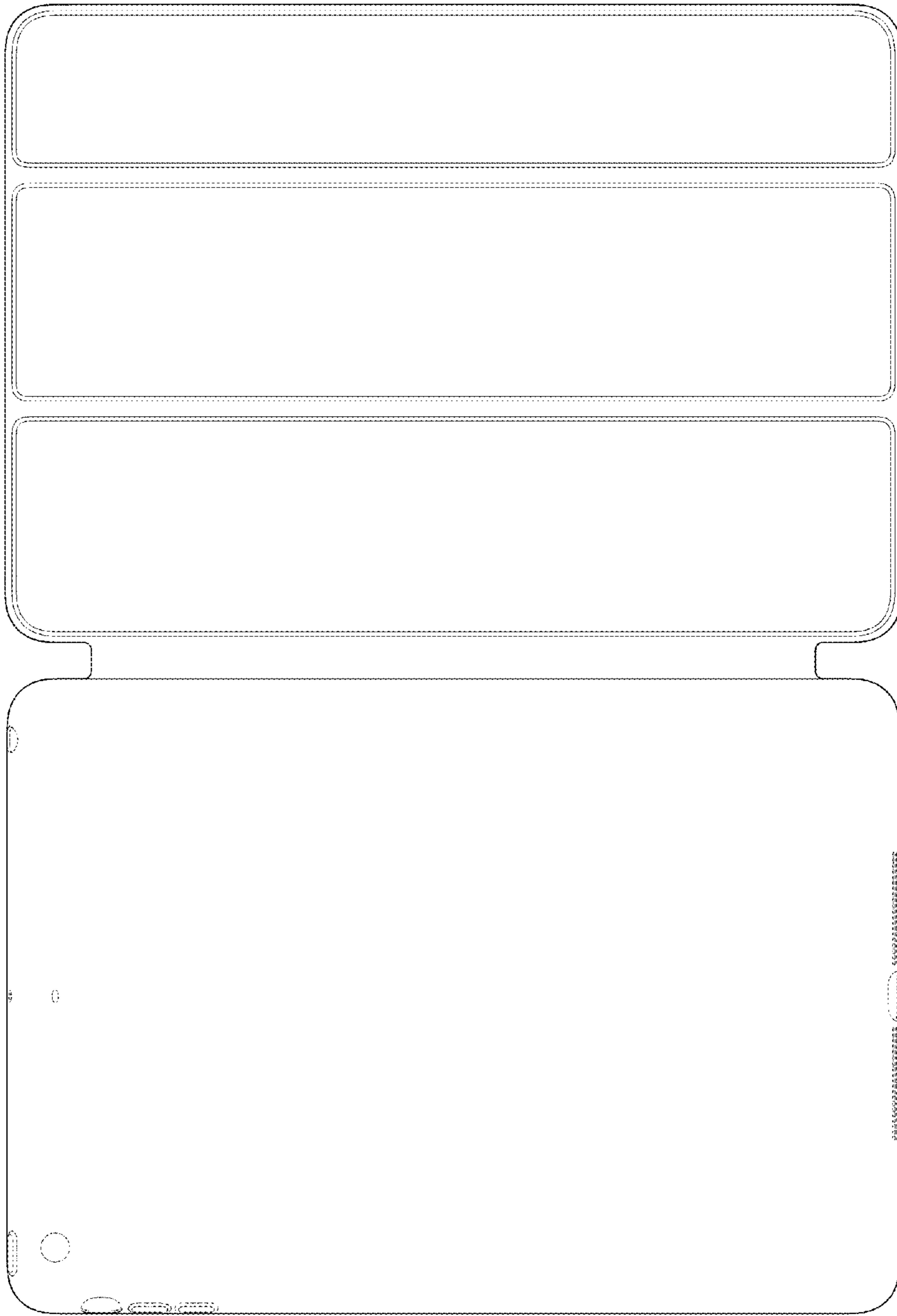
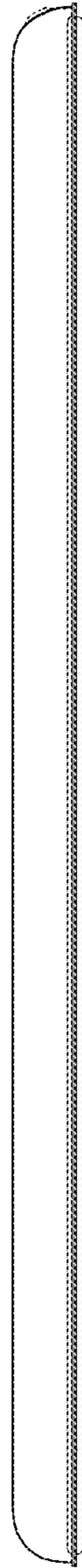
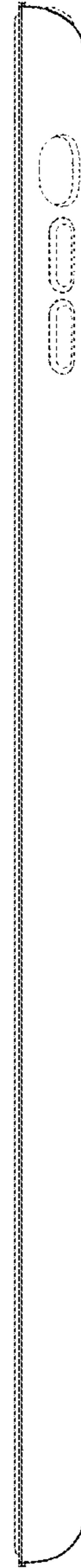


FIG. 3



**FIG. 4**



**FIG. 5**

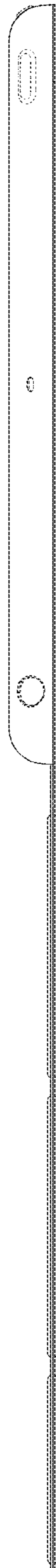


FIG. 6

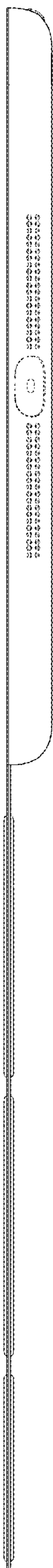


FIG. 7



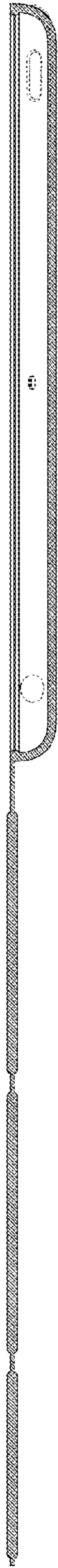


FIG.8

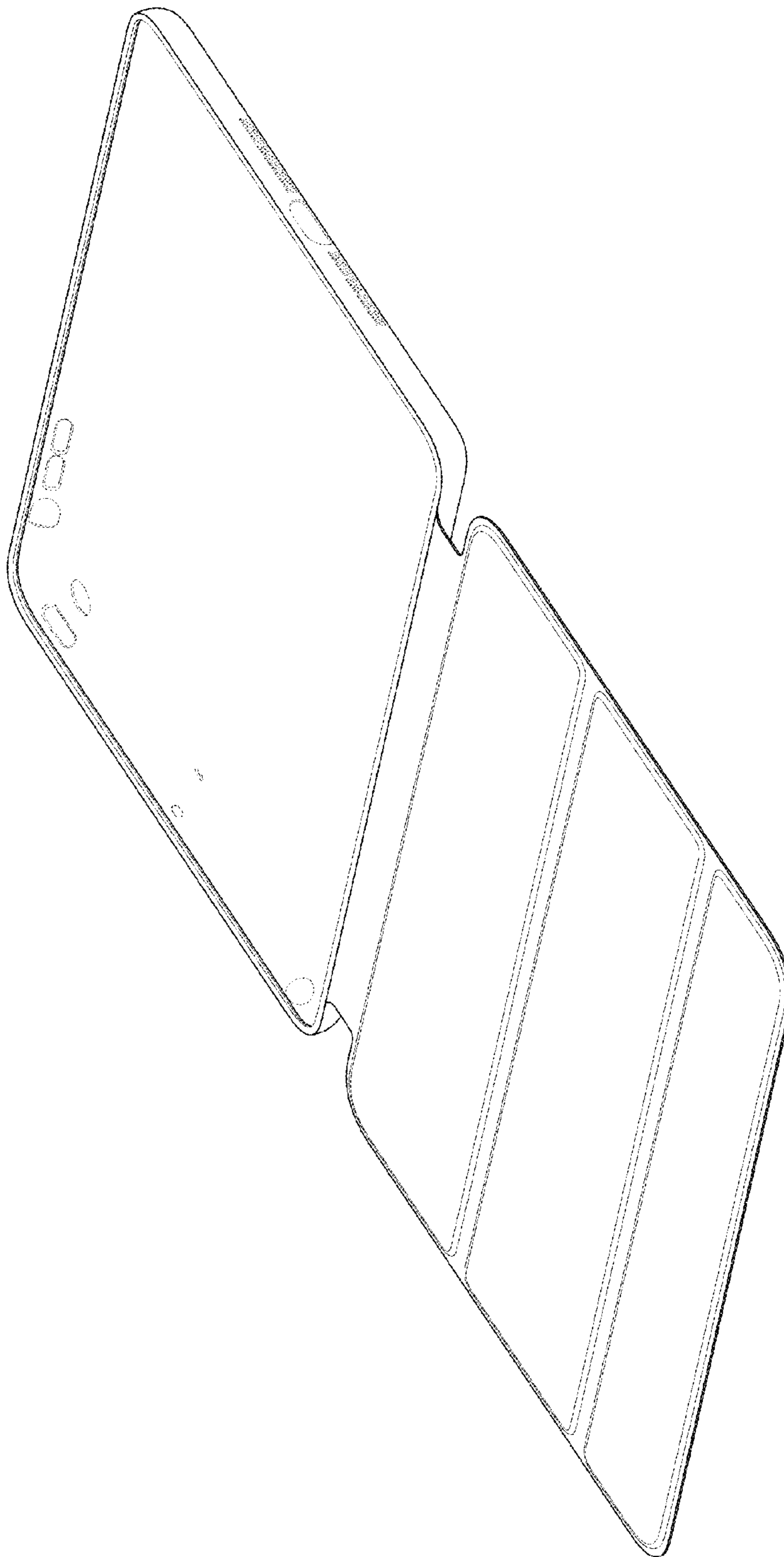


FIG. 9

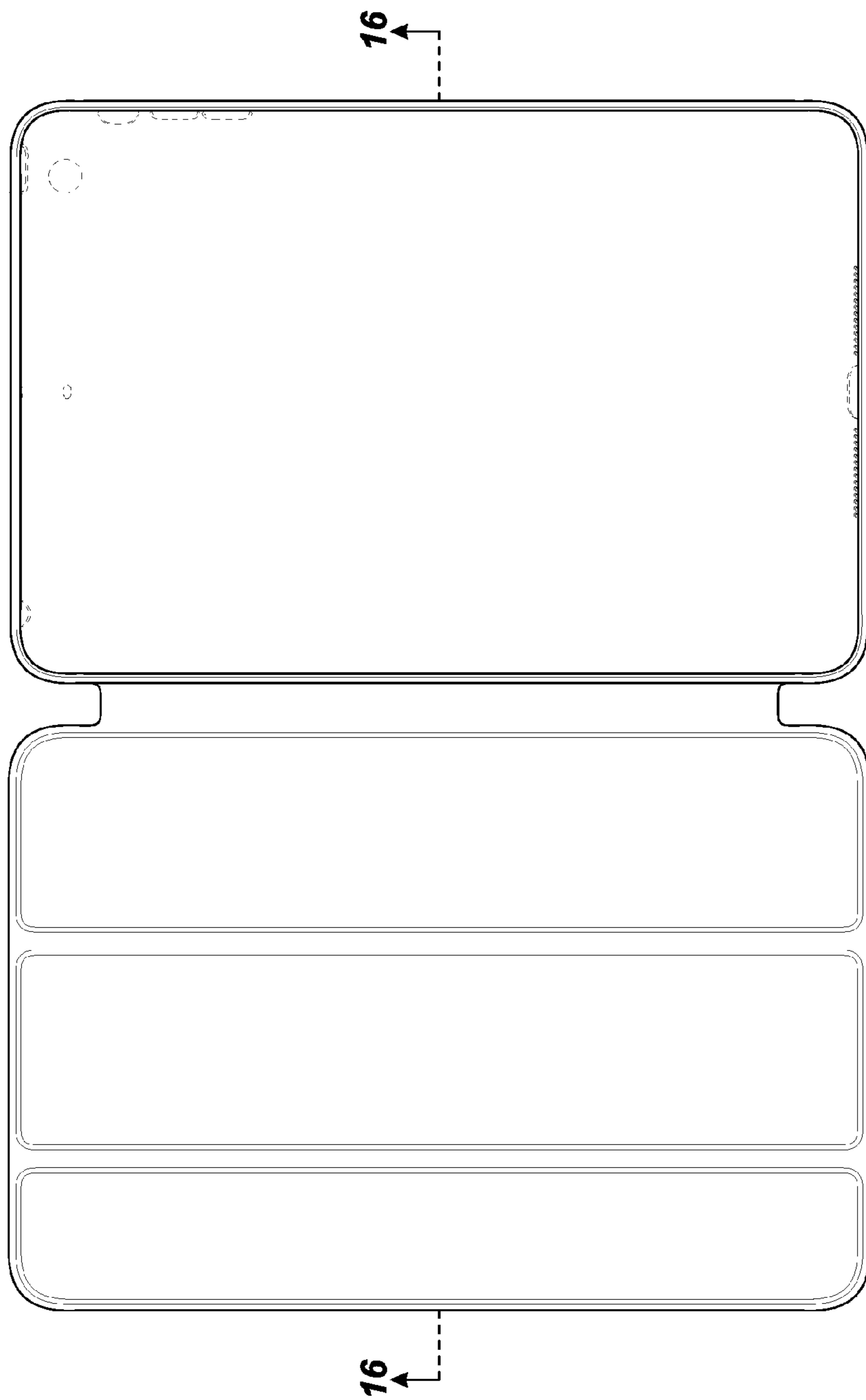


FIG. 10

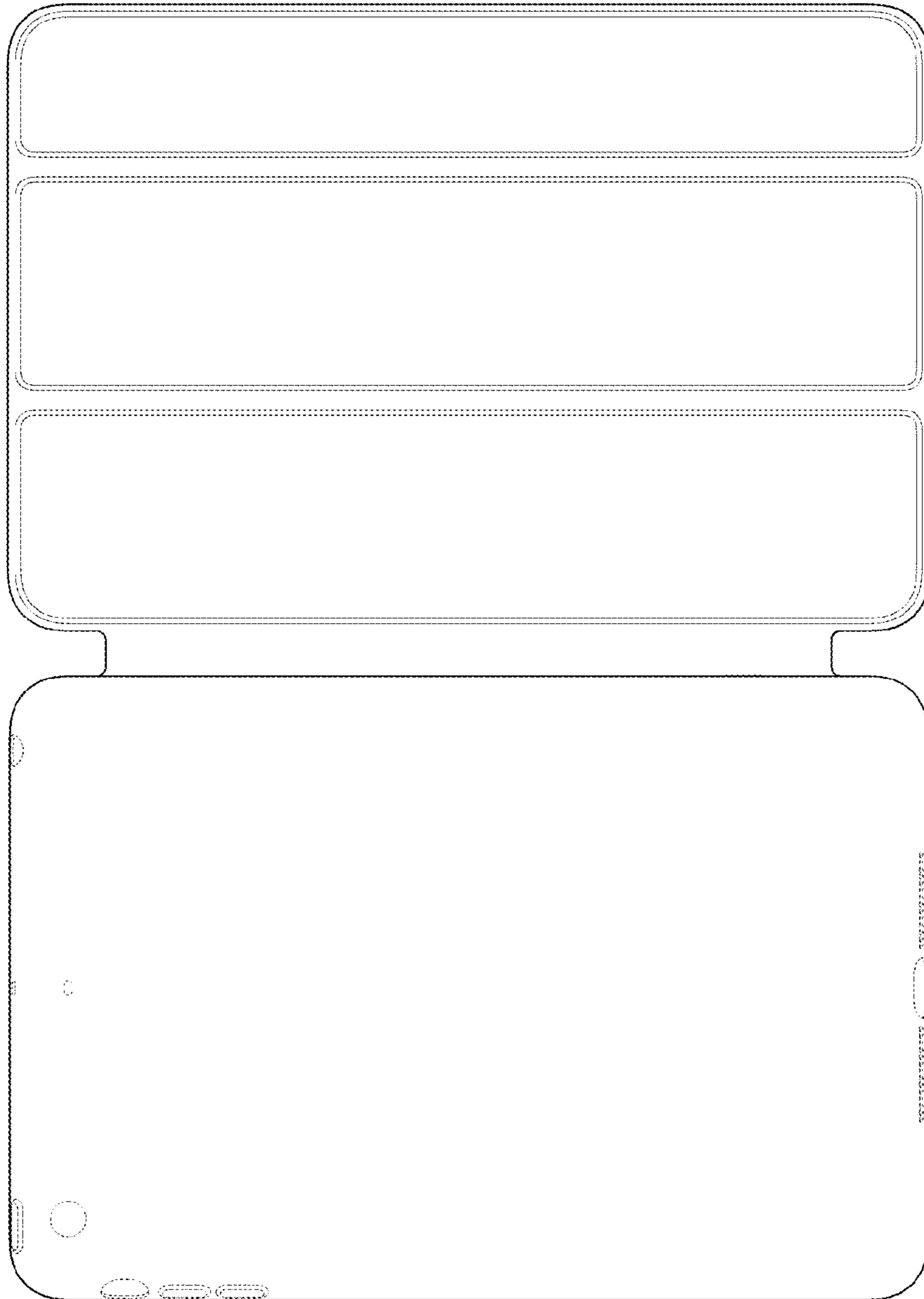


FIG. 11



FIG. 13

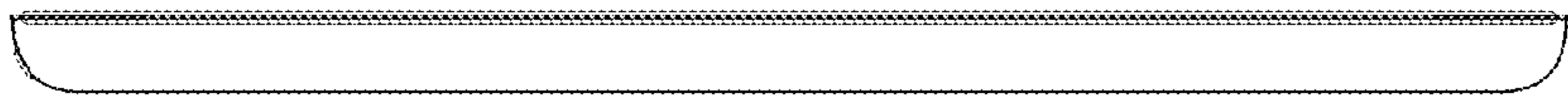


FIG. 12

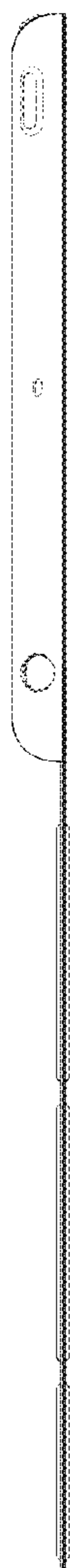


FIG. 14

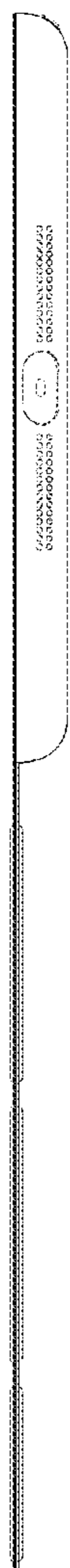


FIG. 15



FIG. 16