



US00D735198S

(12) **United States Design Patent**
Song

(10) **Patent No.:** **US D735,198 S**
(45) **Date of Patent:** **** Jul. 28, 2015**

(54) **CASE FOR ELECTRONIC DEVICE**

(71) Applicant: **SAMSUNG ELECTRONICS CO., LTD.**, Suwon-si (KR)

(72) Inventor: **Jun Yong Song**, Seongnam-si (KR)

(73) Assignee: **SAMSUNG ELECTRONICS CO., LTD.** (KR)

(**) Term: **14 Years**

(21) Appl. No.: **29/470,941**

(22) Filed: **Oct. 25, 2013**

(30) **Foreign Application Priority Data**

Aug. 30, 2013 (KR) 30-2013-0044829

(51) **LOC (10) Cl.** **14-02**

(52) **U.S. Cl.**
USPC **D14/432; D14/439**

(58) **Field of Classification Search**

USPC D14/432, 433, 439, 445, 446, 300, 348,
D14/302, 341, 441, 248, 453, 427, 426;
361/679.4, 679.45, 679.02, 679.31;
174/354, 359; 455/557, 41.2, 418, 566;
D10/30, 37, 39, 65; 345/2.3, 520
CPC H04B 1/38; H04B 7/00; H04M 3/00;
G09G 5/00; G06F 13/14
See application file for complete search history.

(56) **References Cited**

U.S. PATENT DOCUMENTS

D469,438 S * 1/2003 Corrales D14/432
D575,295 S * 8/2008 Palmer et al. D14/453

D593,552 S * 6/2009 Ferrari et al. D14/341
D630,624 S * 1/2011 Corley et al. D14/248
D639,791 S * 6/2011 Corley et al. D14/248
D673,958 S * 1/2013 Fathollahi D14/440
D694,242 S * 11/2013 Cho D14/432
D702,239 S * 4/2014 Lee et al. D14/432
D704,712 S * 5/2014 Sugino et al. D14/432
D717,800 S * 11/2014 Akana et al. D14/432
D720,353 S * 12/2014 Nakamura D14/432
2007/0010219 A1 * 1/2007 Qin et al. 455/128
2007/0218961 A1 * 9/2007 Luo et al. 455/575.1

* cited by examiner

Primary Examiner — Austin Murphy

(74) *Attorney, Agent, or Firm* — Cantor Colburn LLP

(57) **CLAIM**

I claim, the ornamental design for a case for electronic device, as shown and described.

DESCRIPTION

FIG. 1 is a front perspective view of a case for electronic device showing my new design;
FIG. 2 is a front elevation view of thereof;
FIG. 3 is a rear elevation view of thereof;
FIG. 4 is a side elevation view of thereof;
FIG. 5 is another side elevation view of thereof;
FIG. 6 is a top plan view of thereof;
FIG. 7 is a bottom plan view of thereof; and,
FIG. 8 is a rear perspective view thereof as shown in an open configuration.

The broken lines illustrating portions of the case for electronic device are for environmental purpose only and form no part of the claimed design.

1 Claim, 8 Drawing Sheets

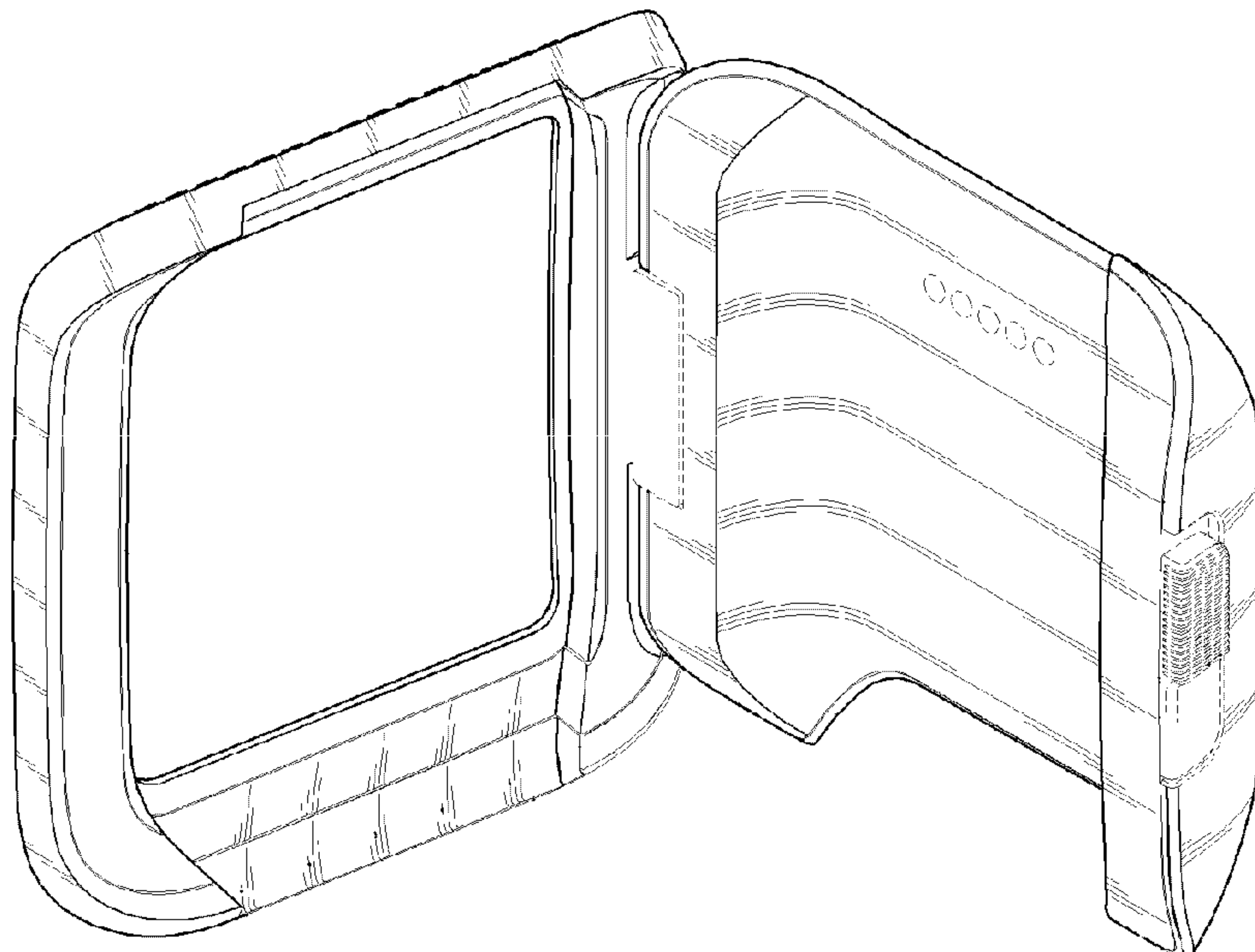


FIG. 1

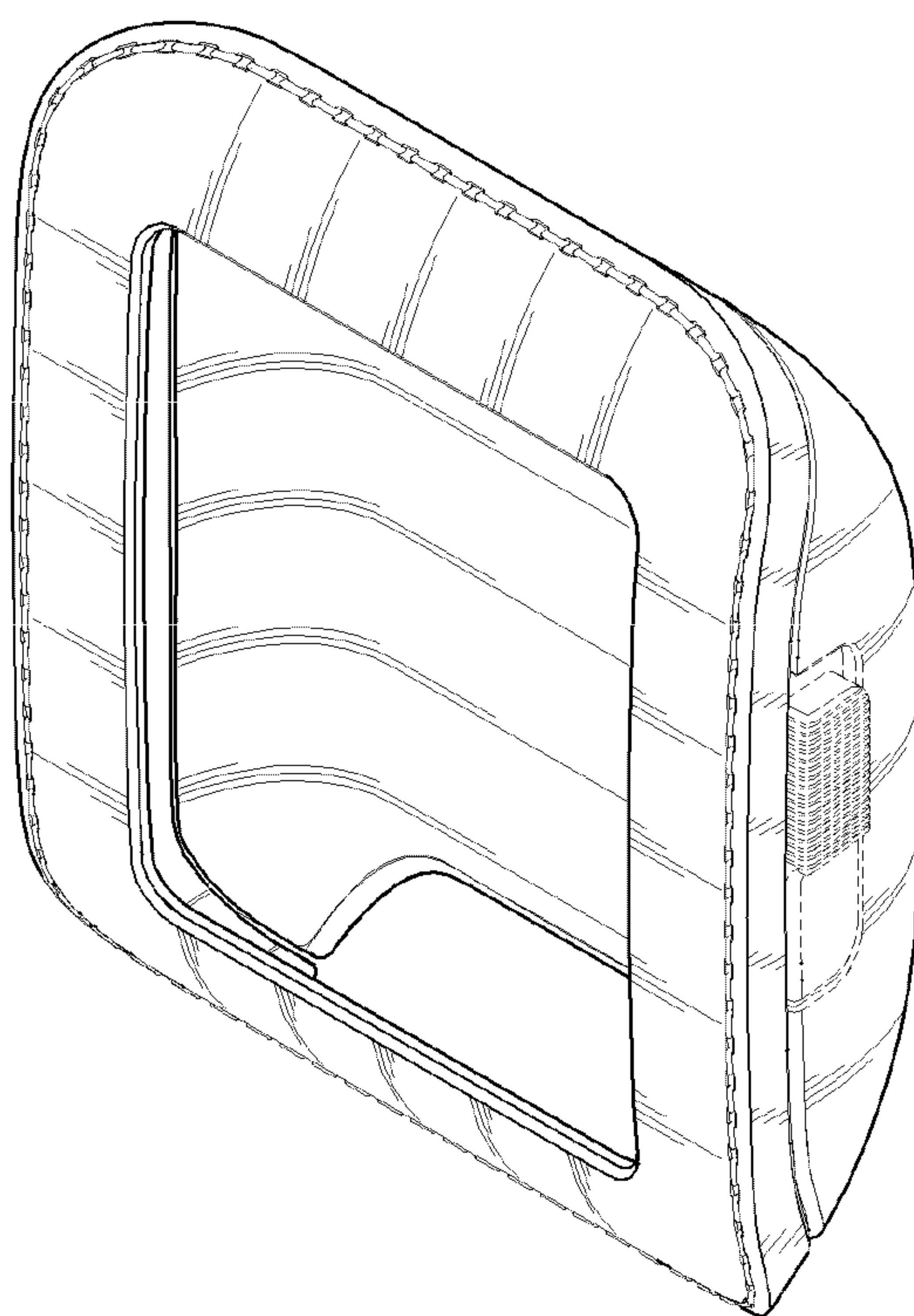


FIG. 2

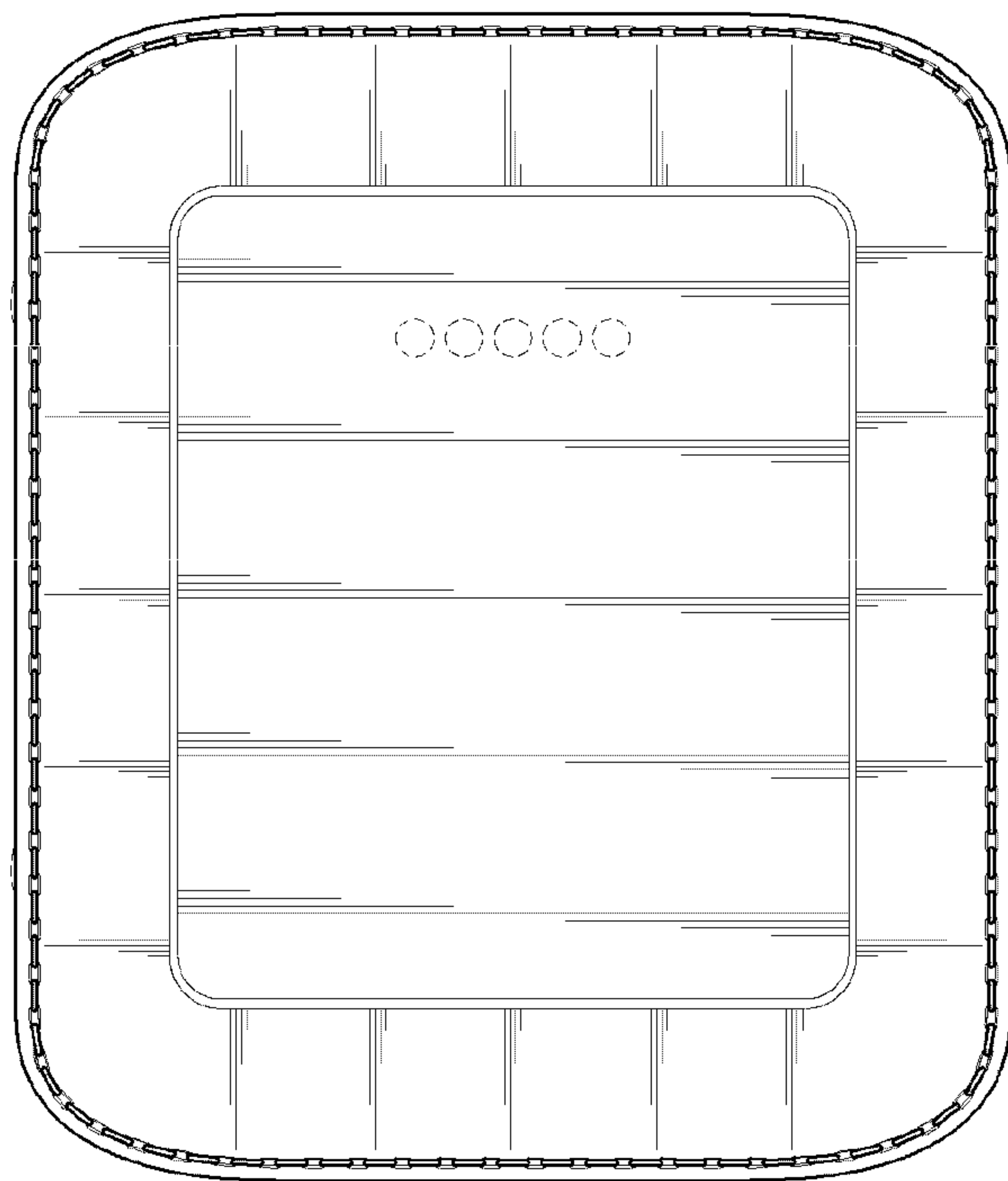


FIG. 3

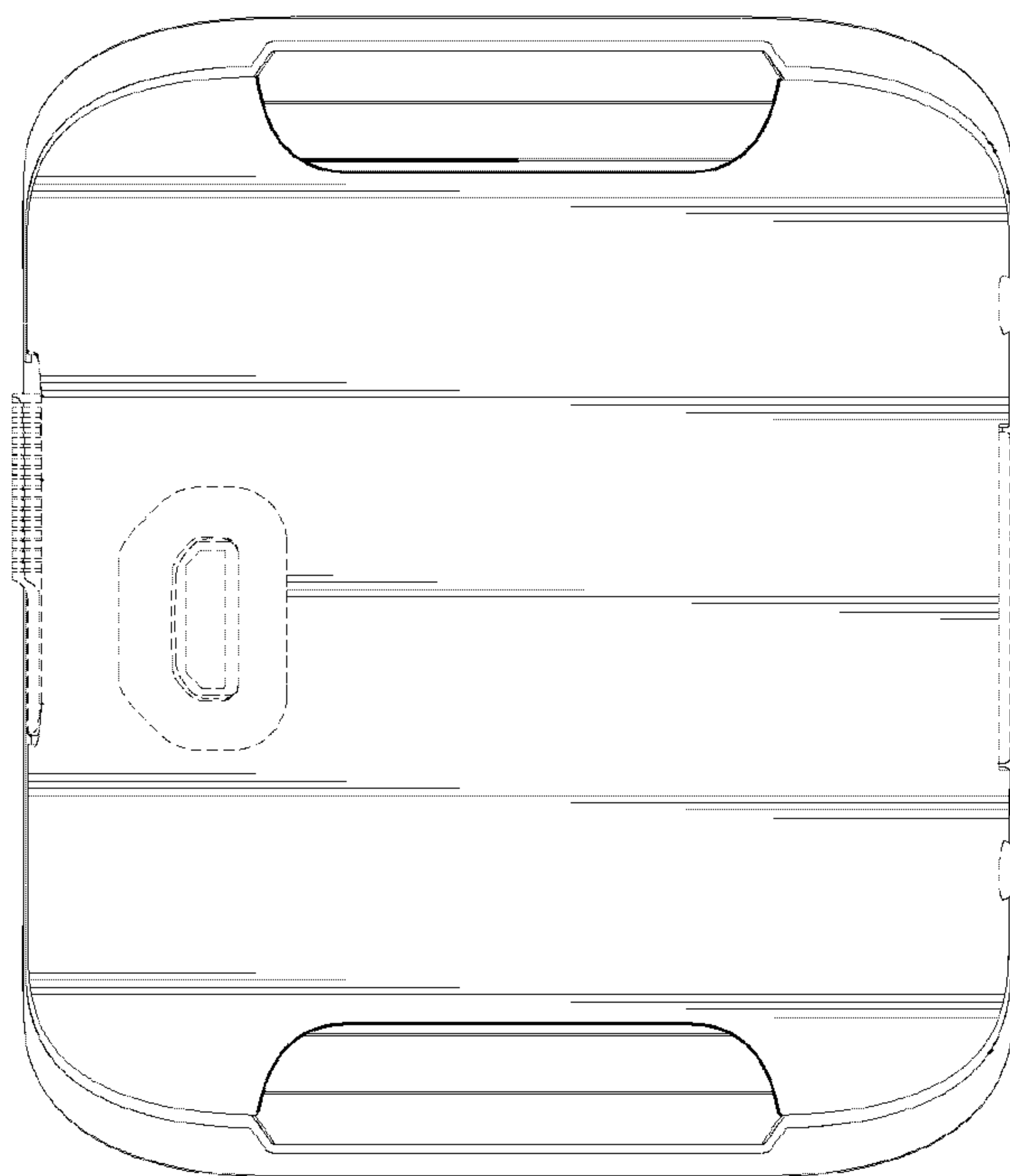


FIG. 4

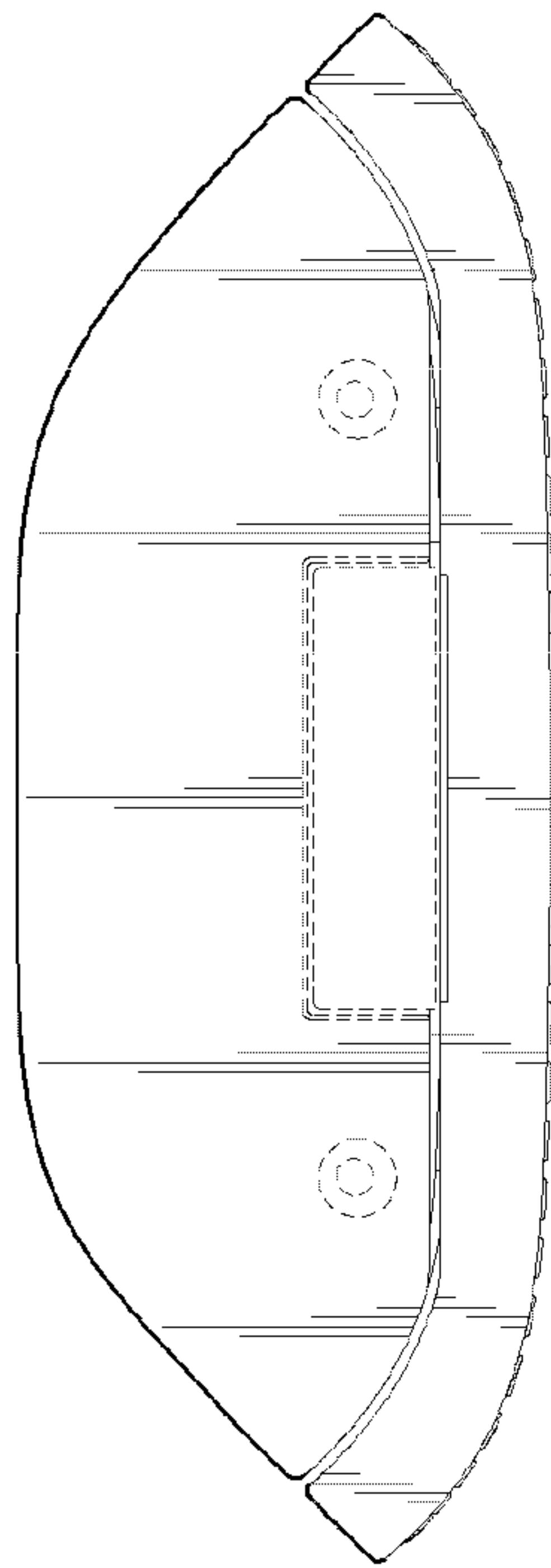


FIG. 5

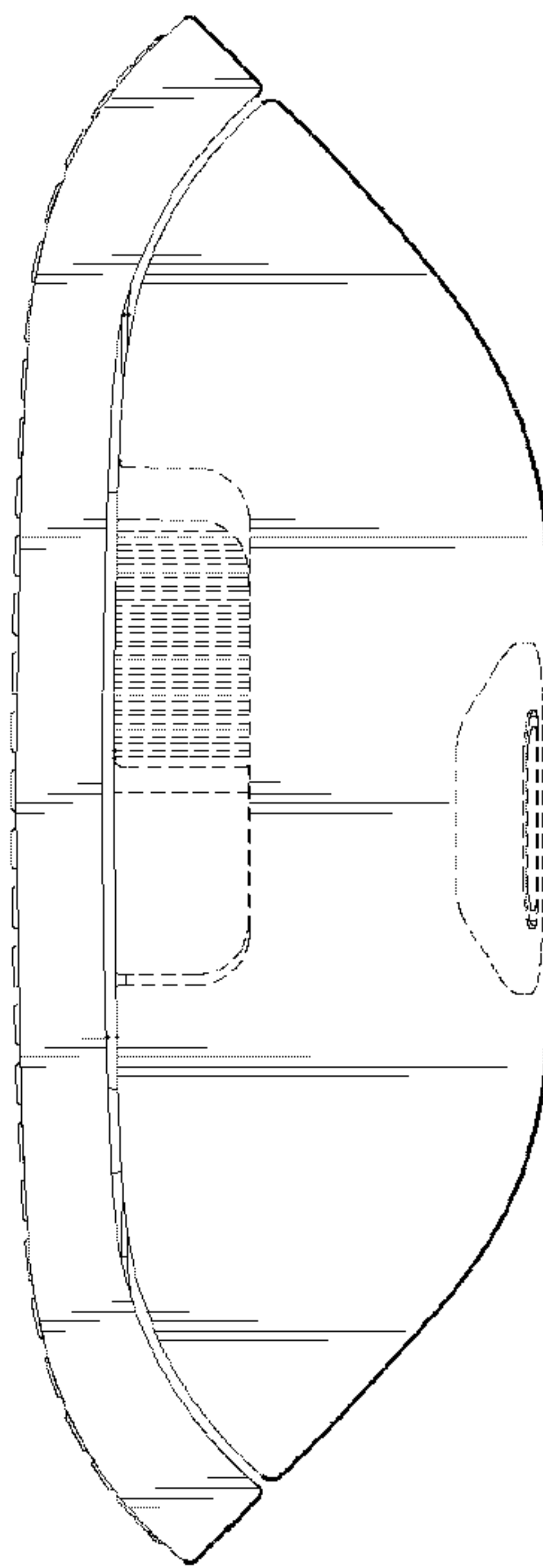


FIG. 6

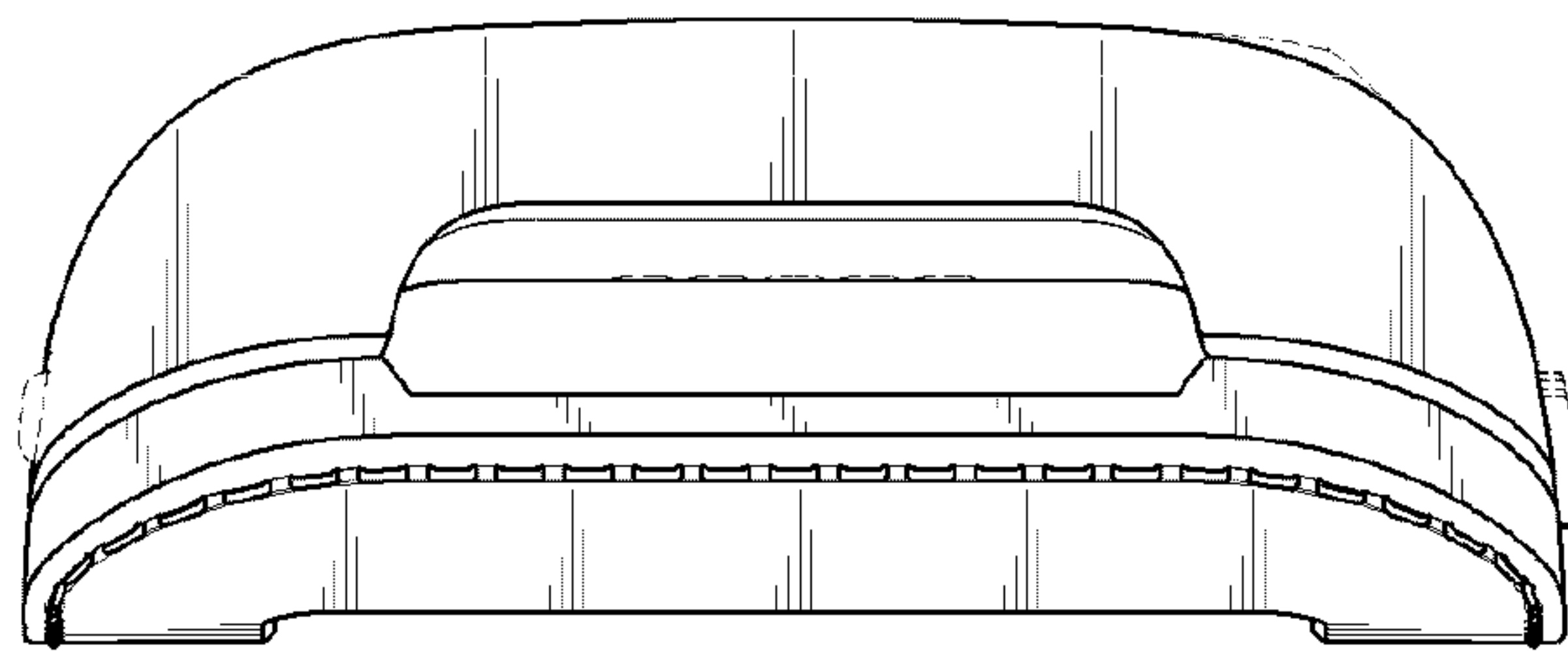


FIG. 7

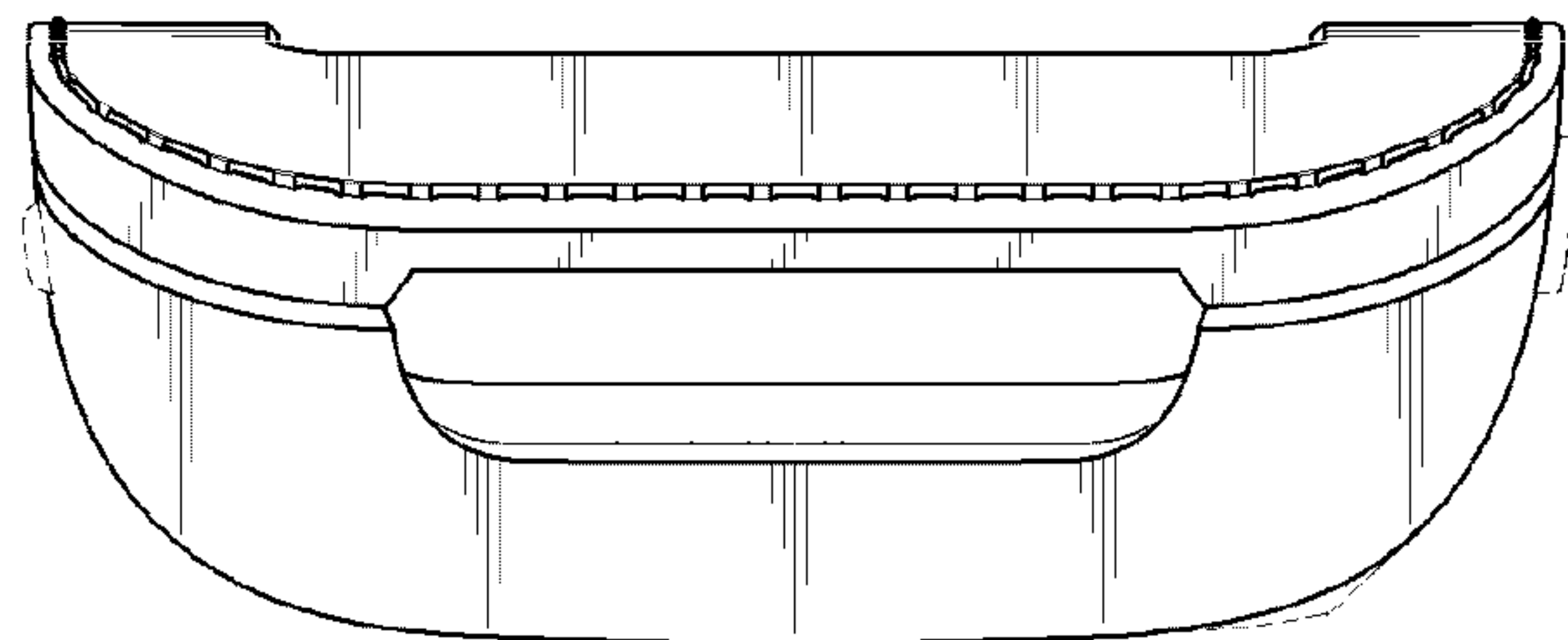


FIG. 8

