



US00D735197S

(12) **United States Design Patent**
Fukuba et al.

(10) **Patent No.:** **US D735,197 S**
(45) **Date of Patent:** **** Jul. 28, 2015**

(54) **OPTICAL INFORMATION READER**

(71) Applicant: **OPTOELECTRONICS CO., LTD.**,
Warabi-shi, Saitama (JP)

(72) Inventors: **Ken Fukuba**, Warabi (JP); **Keiichi Fujiyoshi**, Warabi (JP); **Yasutake Kawashima**, Warabi (JP)

(73) Assignee: **OPTOELECTRONICS CO., LTD.**,
Saitama (JP)

(**) Term: **14 Years**

(21) Appl. No.: **29/503,379**

(22) Filed: **Sep. 25, 2014**

(30) **Foreign Application Priority Data**

Mar. 26, 2014 (JP) 2014-006420

(51) **LOC (10) Cl.** **14-02**

(52) **U.S. Cl.**
USPC **D14/420**

(58) **Field of Classification Search**
USPC D14/420-425; D18/55, 49, 46, 40,
D18/36-39, 41, 44, 45, 47, 48, 50-54, 56;
235/462, 455, 470, 462.43, 482, 483;
358/474, 486, 488, 496, 497, 498, 452,
358/449, 451, 453, 1.13; 318/685, 696;
355/81, 75; 399/405, 367, 379, 380;
382/217; 715/209, 222, 226, 274;
400/613, 613.1-613.4, 690.1-690.4,
400/691-694

CPC H04N 1/00; H04N 1/12; H04N 1/00013;
H04N 1/00015; H04N 1/00018; H04N
1/00026; H04N 1/00557; H04N 1/00564;
H04N 1/00567; H04N 1/0057; H04N 1/00572;
H04N 1/00586; H04N 1/00588; H04N
1/00591; H04N 1/00594; H04N 1/00596;
H04N 1/00604; H04N 1/00519; H04N
1/00559; H04N 1/1013; H04N 1/10; H04N
1/00551; H04N 1/00278; H04N 2201/0456;
H04N 2201/0446; H04N 2201/00; H04N

2201/0094; G03G 15/0142; G03G 15/605;
G03G 15/602; B65H 5/26; B65H 5/30;
B65H 5/36; B65H 7/00; B65H 2402/515;
B65H 2402/31; B65H 2511/20; B65H
2511/414; B65H 2513/42; B65H 2801/39;
B65H 2801/31; B65H 2215/00189; B65H
2215/00194; B65H 2215/00198; B65H
2215/00202; B65H 2215/00206; B65H
2215/20; B65H 2301/00; B65H 2220/04;
B65H 3/5261

See application file for complete search history.

(56) **References Cited**

U.S. PATENT DOCUMENTS

D325,729 S * 4/1992 Forsythe et al. D14/420
D327,878 S * 7/1992 Fukutake et al. D14/420
D330,891 S * 11/1992 Urbas et al. D14/420
5,192,857 A * 3/1993 Detwiler 235/462.39
D359,483 S * 6/1995 Saunders et al. D14/420

(Continued)

Primary Examiner — Susan Moon Lee

(74) *Attorney, Agent, or Firm* — Westerman, Hattori,
Daniels & Adrian, LLP

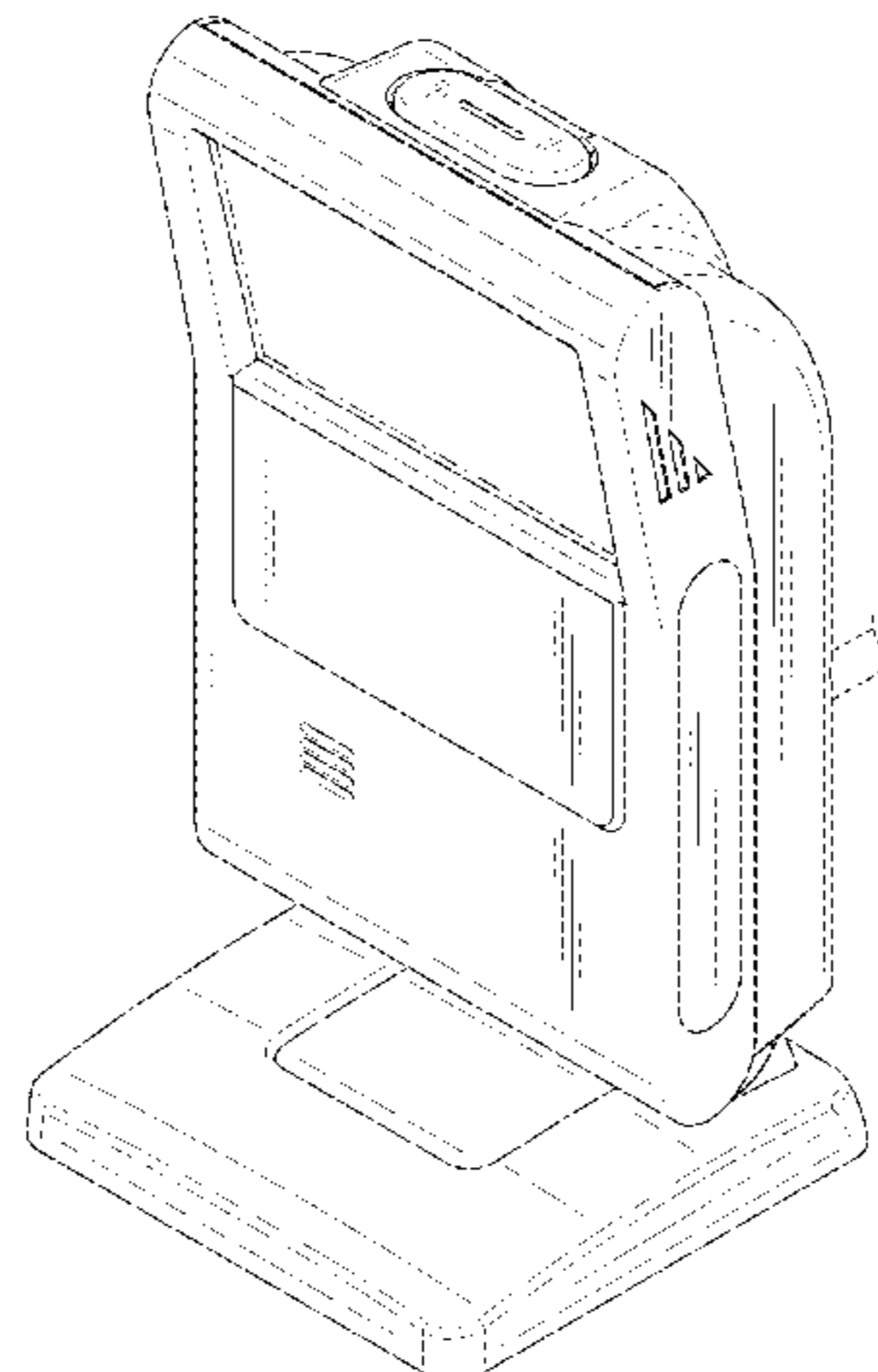
(57) **CLAIM**

The ornamental design for an optical information reader, as shown and described.

DESCRIPTION

FIG. 1 is a front view showing our new design for an optical information reader;
FIG. 2 is a rear view thereof;
FIG. 3 is a right side view thereof;
FIG. 4 is a left side view thereof;
FIG. 5 is a top view thereof;
FIG. 6 is a bottom view thereof;
FIG. 7 is a front perspective view thereof; and,
FIG. 8 is a rear perspective view thereof.
Broken lines and entirely unshaded portions contained within broken lines are not claimed.
The dot-dash boundary lines indicate the borders at which the claimed portions terminate.

1 Claim, 8 Drawing Sheets



(56)

References Cited

U.S. PATENT DOCUMENTS

5,612,530	A *	3/1997	Sanders et al.	235/462.48	8,381,979	B2 *	2/2013	Franz	235/435
5,861,615	A *	1/1999	Bridgelall et al.	235/462.27	8,408,464	B2 *	4/2013	Zhu et al.	235/454
5,992,747	A *	11/1999	Katoh et al.	235/462.43	8,681,268	B2 *	3/2014	Reznik et al.	348/373
6,216,953	B1 *	4/2001	Kumagai et al.	235/472.01	D711,754	S *	8/2014	Kummer	D10/78
D454,879	S *	3/2002	Lin et al.	D14/420	D724,088	S *	3/2015	Giometti	D14/420
6,575,368	B1 *	6/2003	Tamburrini et al.	235/462.25	2006/0081712	A1 *	4/2006	Rudeen et al.	235/462.08
6,811,086	B1 *	11/2004	Kumagai et al.	235/462.14	2006/0180670	A1 *	8/2006	Acosta et al.	235/462.31
7,059,529	B1 *	6/2006	Schonenberg et al.	235/462.4	2008/0277473	A1 *	11/2008	Kotlarsky et al.	235/462.07
7,093,757	B2 *	8/2006	Boucher et al.	235/462.01	2008/0296388	A1 *	12/2008	Drzymala et al.	235/462.42
D536,795	S *	2/2007	Knieriem et al.	D24/186	2008/0302873	A1 *	12/2008	Kotlarsky et al.	235/462.15
8,186,592	B2 *	5/2012	Fletcher	235/454	2012/0049052	A1 *	3/2012	Handshaw et al.	250/239
8,366,005	B2 *	2/2013	Kotlarsky et al.	235/462.24	2012/0085824	A1 *	4/2012	Handshaw et al.	235/462.31
					2012/0145788	A1 *	6/2012	Horn et al.	235/462.07
					2014/0097337	A1 *	4/2014	Handshaw et al.	250/271

* cited by examiner

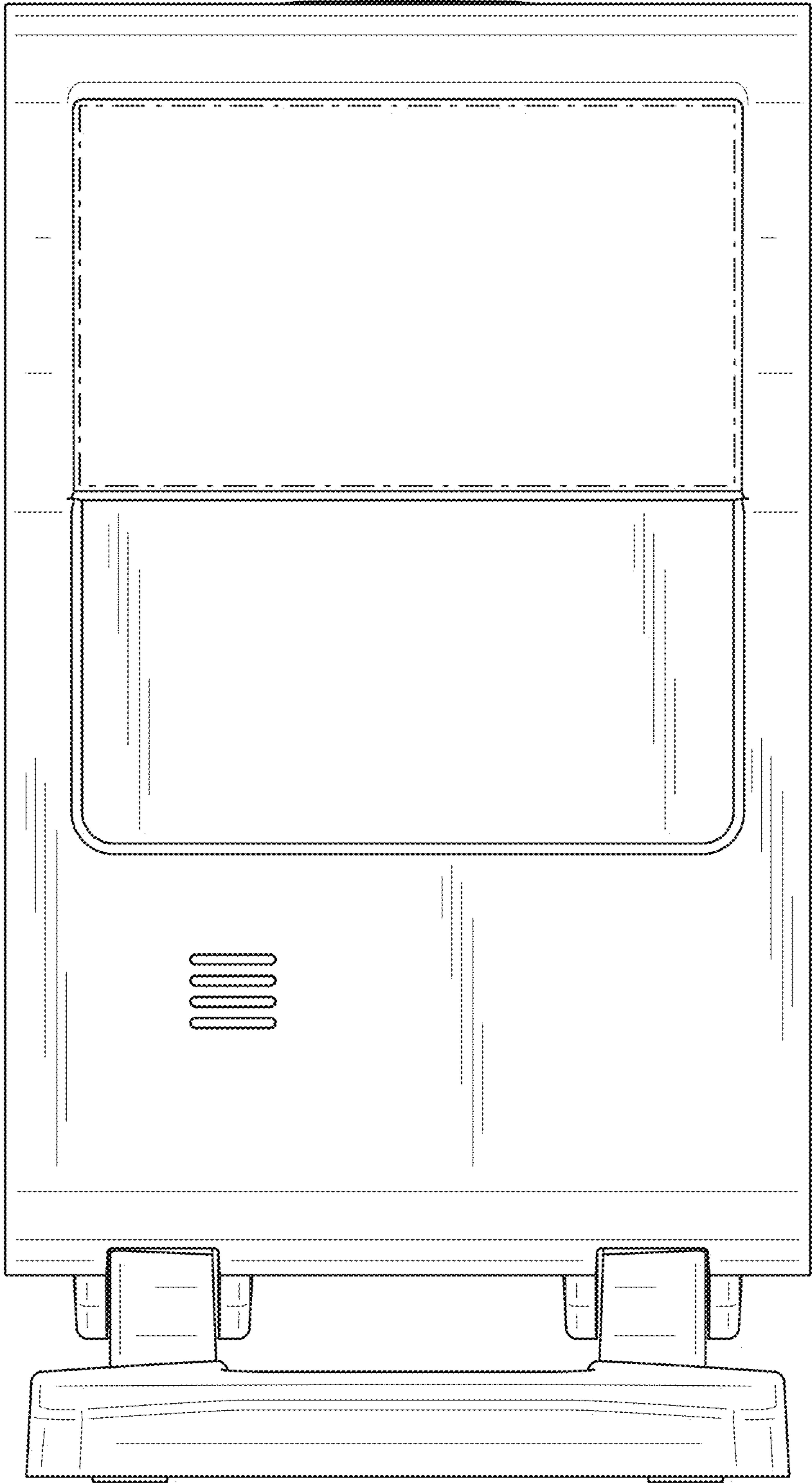


Fig. 1

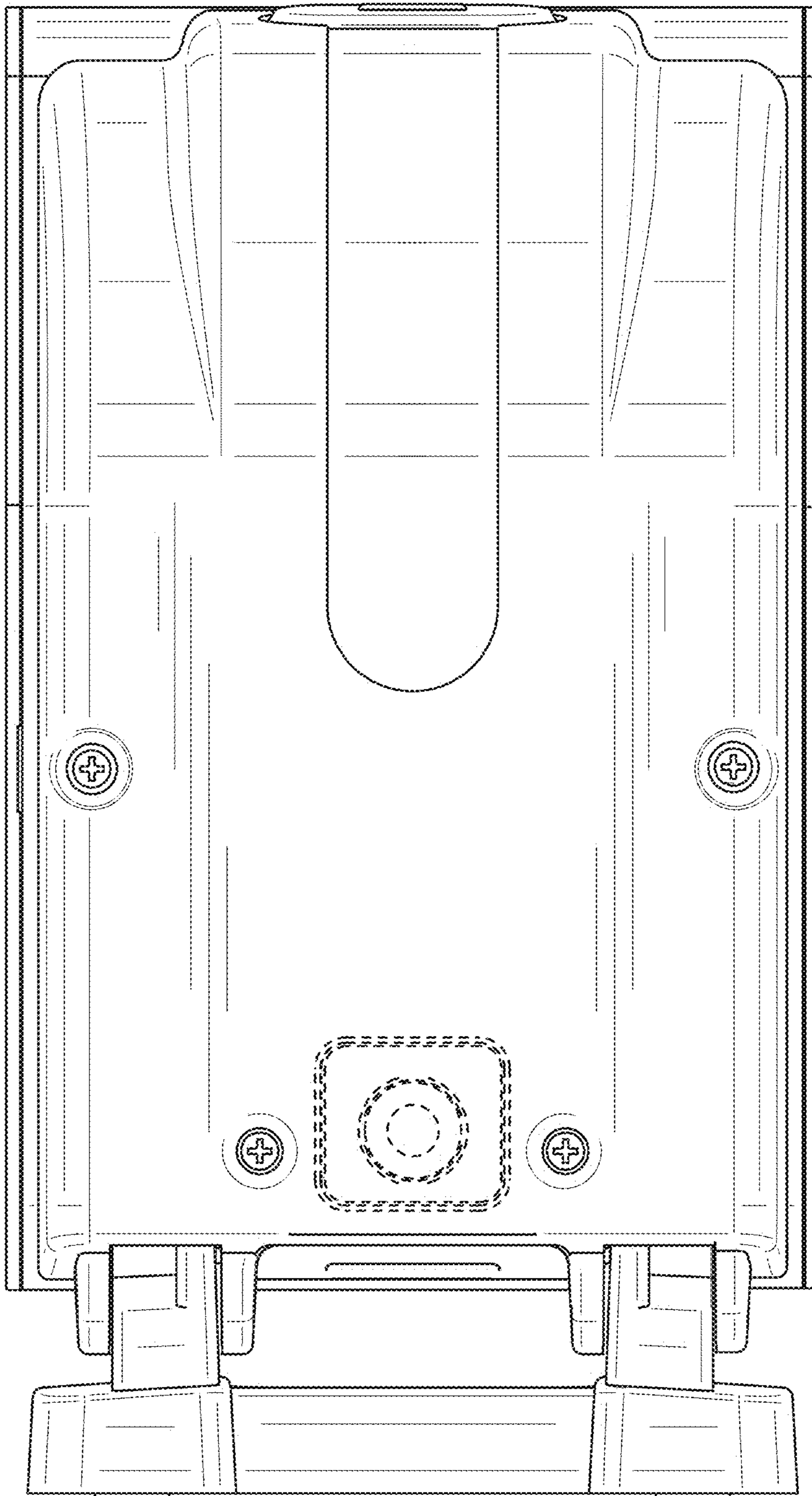


Fig.2

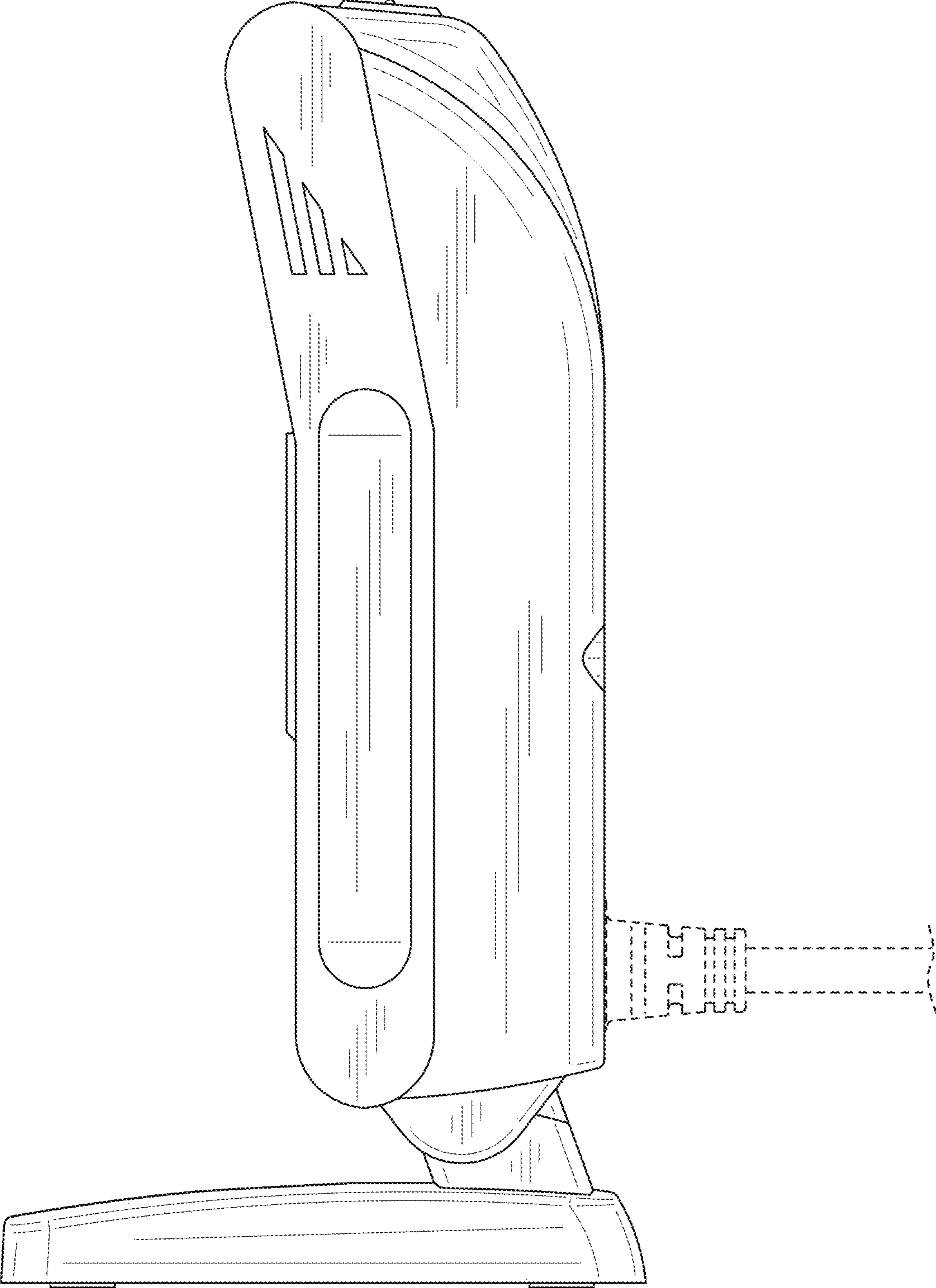


Fig.3

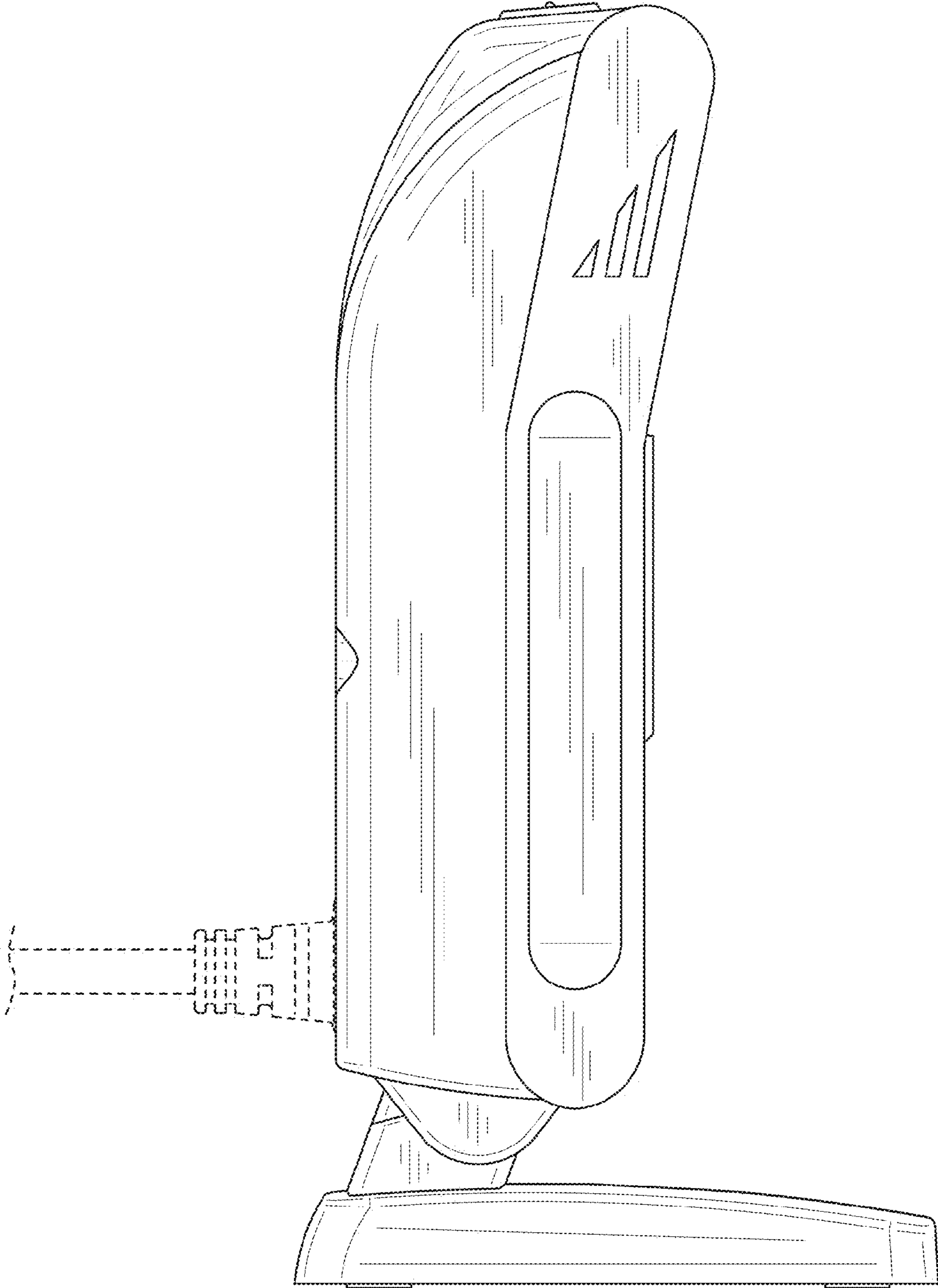


Fig.4

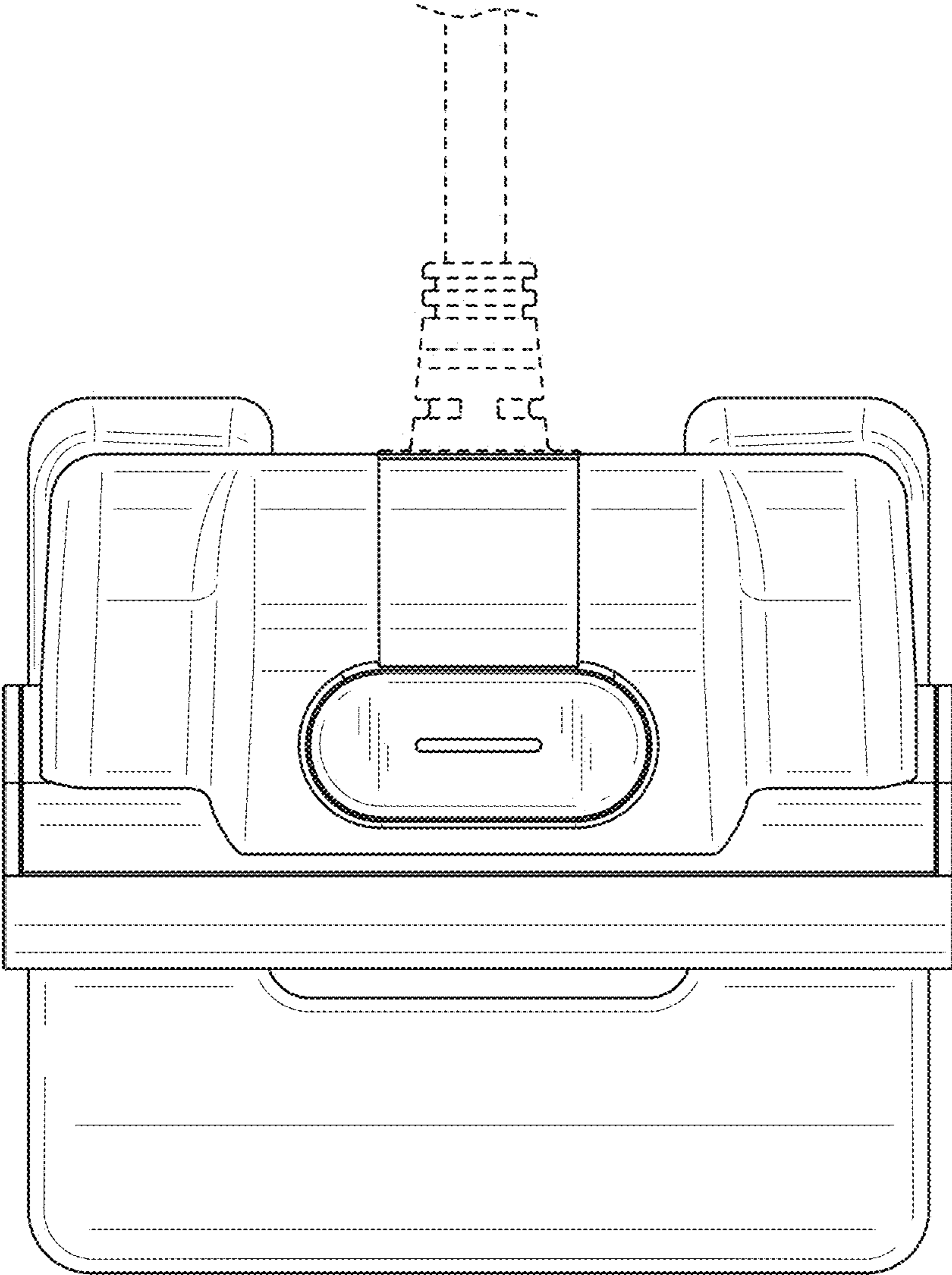


Fig.5

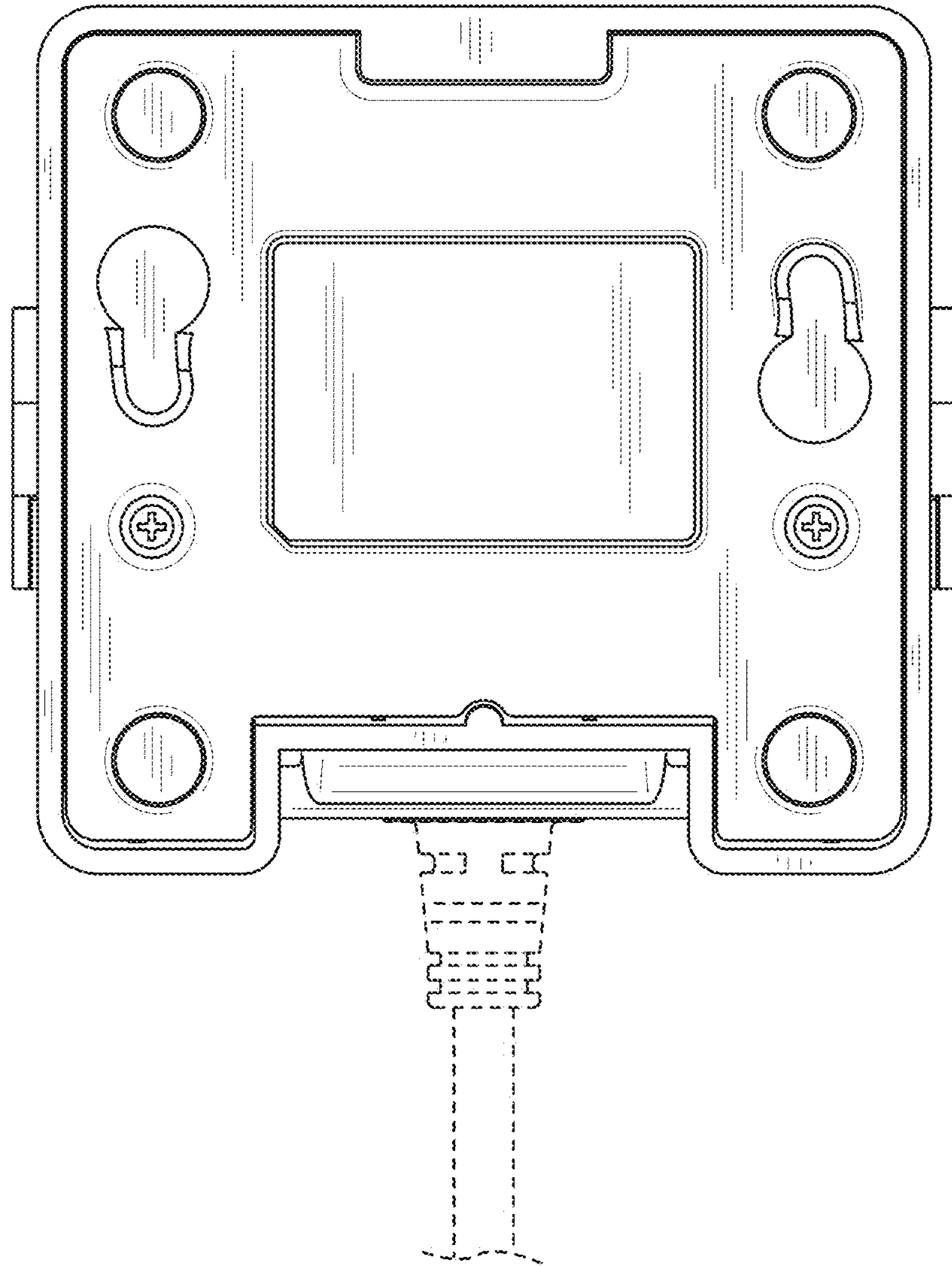


Fig.6

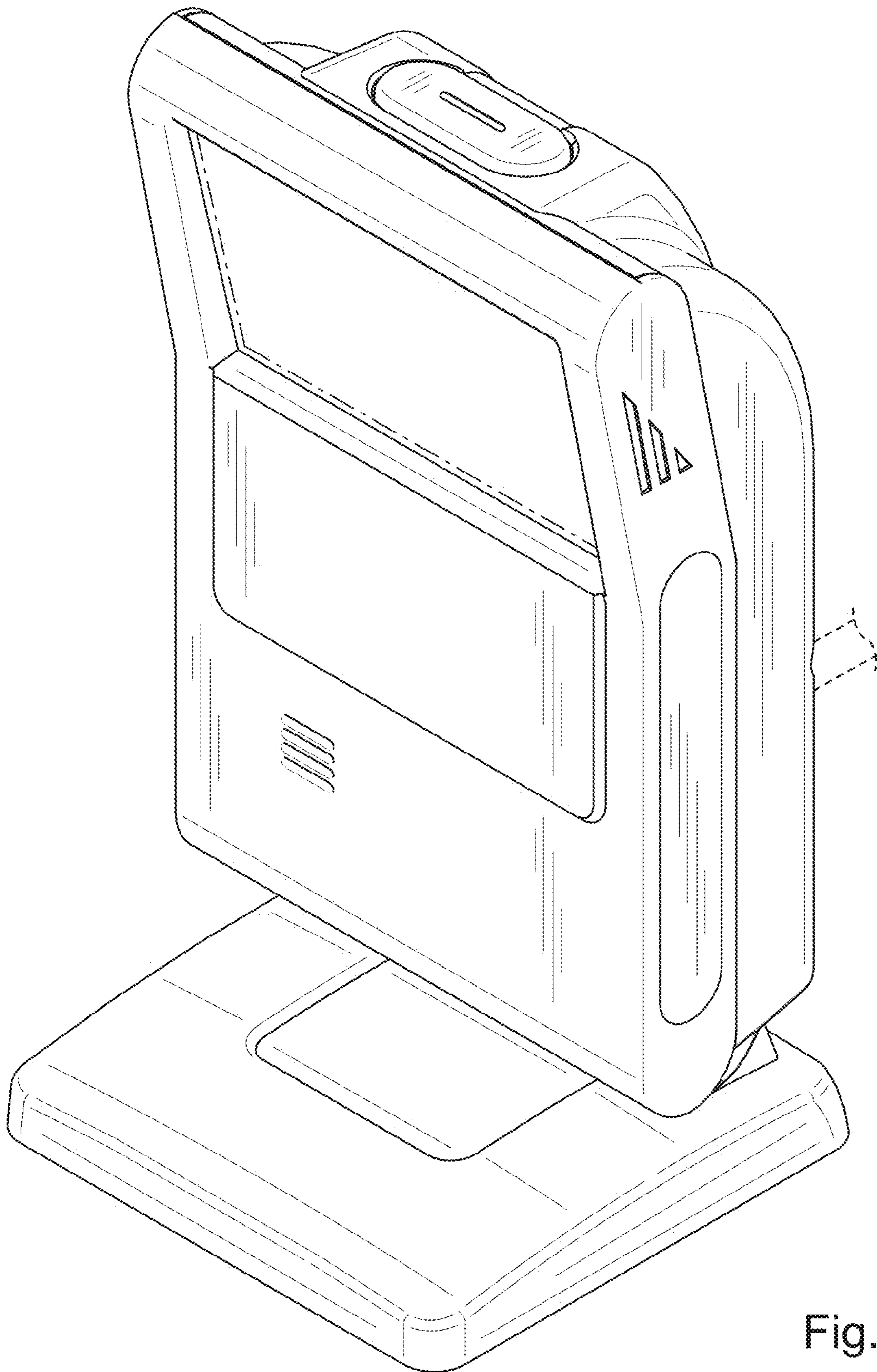


Fig.7

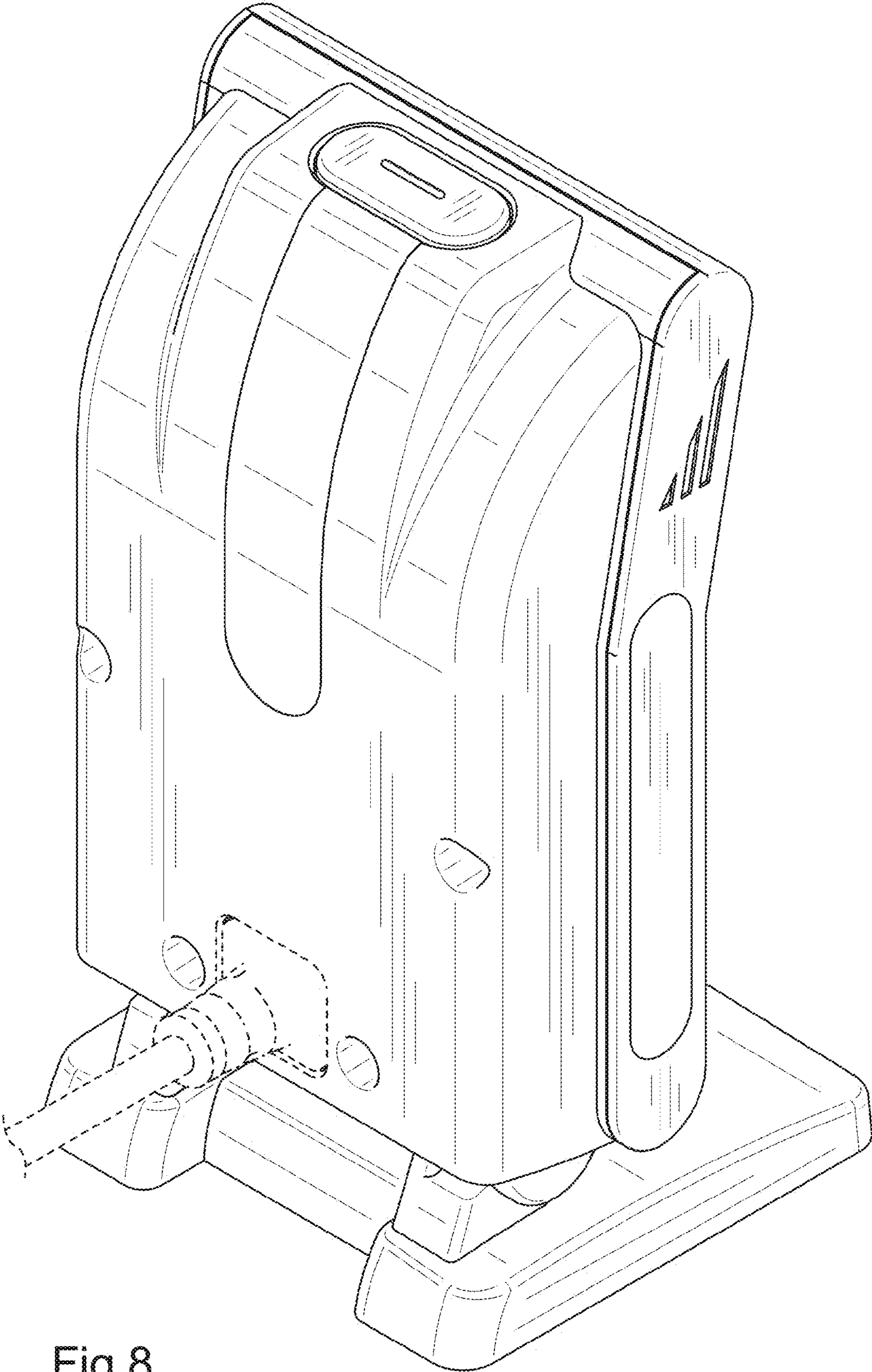


Fig.8