



US00D735192S

(12) **United States Design Patent**  
**McClelland et al.**

(10) **Patent No.:** **US D735,192 S**  
(45) **Date of Patent:** **\*\* Jul. 28, 2015**

(54) **MICROSERVER**

(71) Applicant: **Hewlett-Packard Development Company, L.P.**, Houston, TX (US)  
(72) Inventors: **Belgie B. McClelland**, Tomball, TX (US); **Shab H. Madina**, Houston, TX (US); **Gregory A. Starks**, Tomball, TX (US); **Ming-Jen Hsin**, Taipei (TW); **James J. Ganthier**, Houston, TX (US); **Andrew M. Bauman**, Spring, TX (US)

(73) Assignee: **Hewlett-Packard Development Company, L.P.**, Houston, TX (US)

(\*\*) Term: **14 Years**

(21) Appl. No.: **29/460,123**

(22) Filed: **Jul. 8, 2013**

(51) **LOC (10) Cl.** ..... **14-02**

(52) **U.S. Cl.**  
USPC ..... **D14/348**

(58) **Field of Classification Search**  
USPC ..... D14/240, 300, 308, 313, 348-356, D14/364-368; D13/162, 184, 199; 312/223.1-223.3, 351.11; 360/99.01-99.12; 369/34.01-36.01; 361/679.31-679.33, 679.37, 679.39, 361/679.46, 679.53, 679.4, 679.41, 727, 361/736; 307/64

See application file for complete search history.

(56) **References Cited**

U.S. PATENT DOCUMENTS

5,168,171 A *	12/1992	Tracewell .....	307/64
5,568,362 A *	10/1996	Hansson .....	361/736
D425,495 S *	5/2000	Chiodo et al. ....	D14/356
D506,465 S *	6/2005	Geeng .....	D14/308
D508,491 S *	8/2005	Choi .....	D14/356
D514,556 S *	2/2006	Rising .....	D14/300
D577,719 S *	9/2008	Kobeli et al. ....	D14/300
D598,906 S *	8/2009	Chiba et al. ....	D14/240
D599,345 S *	9/2009	Ko et al. ....	D14/356

\* cited by examiner

*Primary Examiner* — Freda S Nunn

(74) *Attorney, Agent, or Firm* — International IP Law Group, PLLC

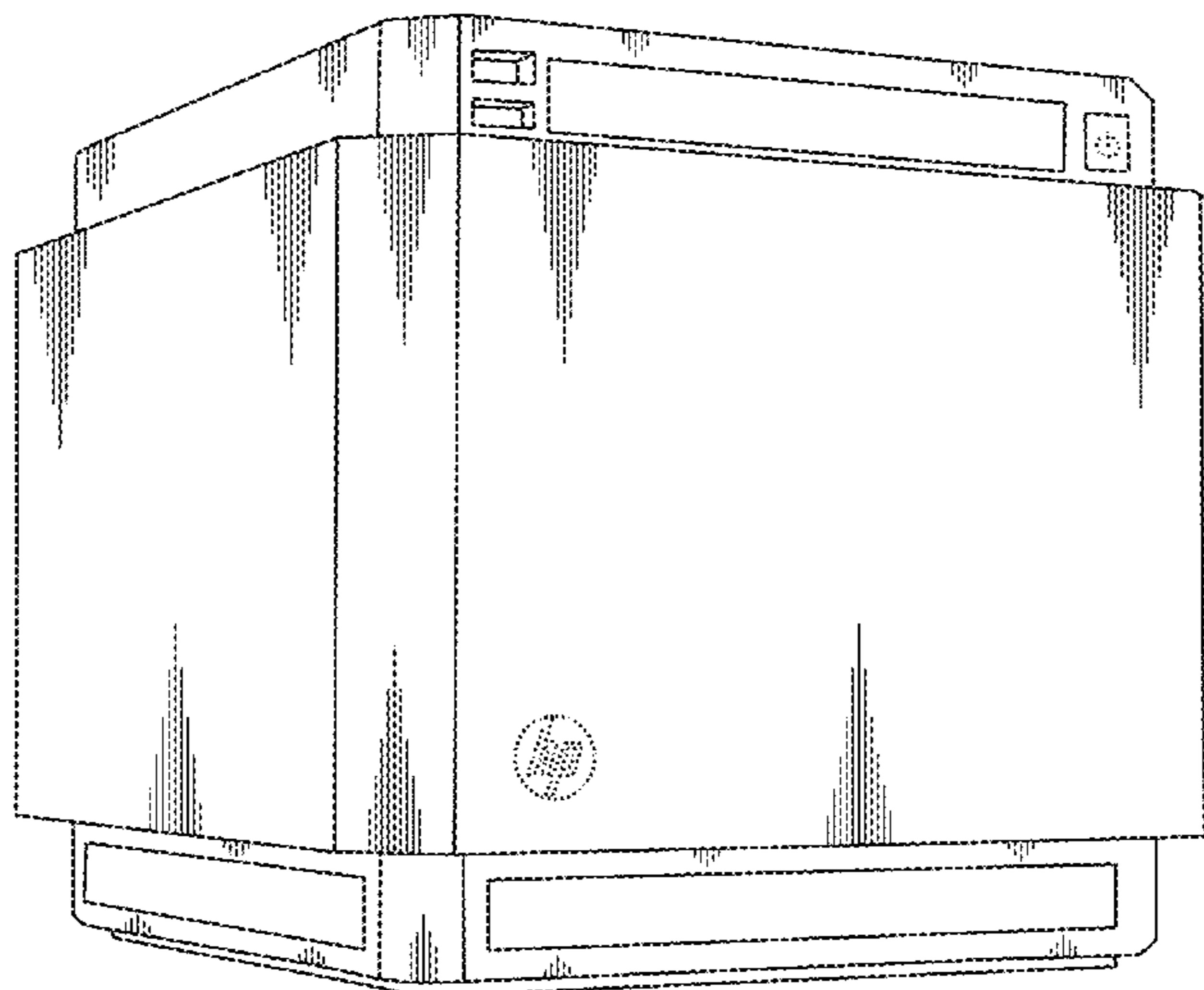
(57) **CLAIM**

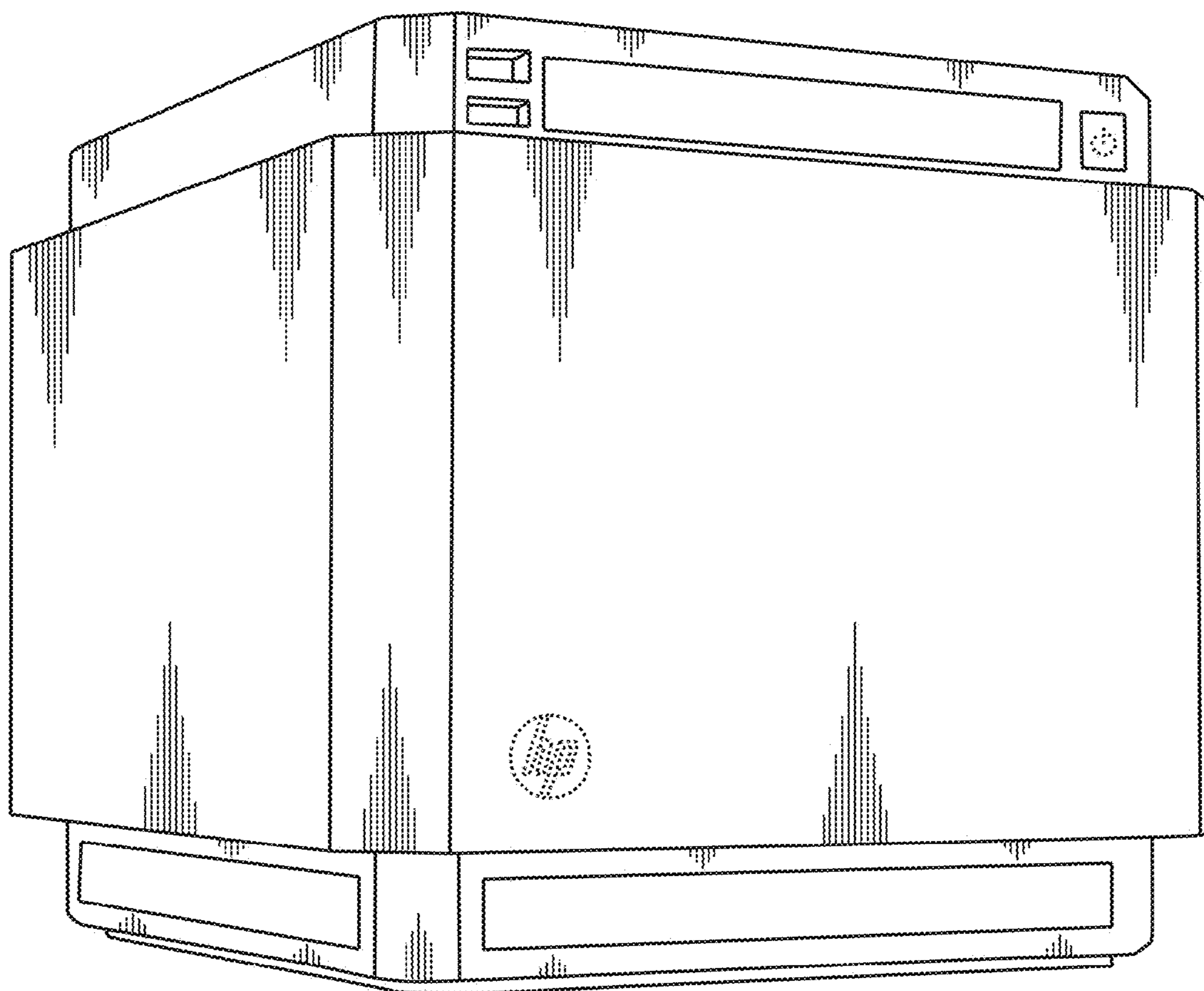
The ornamental design for a microserver, as shown and described.

**DESCRIPTION**

FIG. 1 is a front perspective view of a microserver including a removable cover;  
FIG. 2 is a side perspective view of a microserver including a removable cover;  
FIG. 3 is a back perspective view of a microserver including a removable cover; and,  
FIG. 4 is a perspective view of a microserver including a removable cover with the removable cover in a lifted position. Broken lines shown in the drawings illustrate portions of the microserver, and form no part of the claimed design.

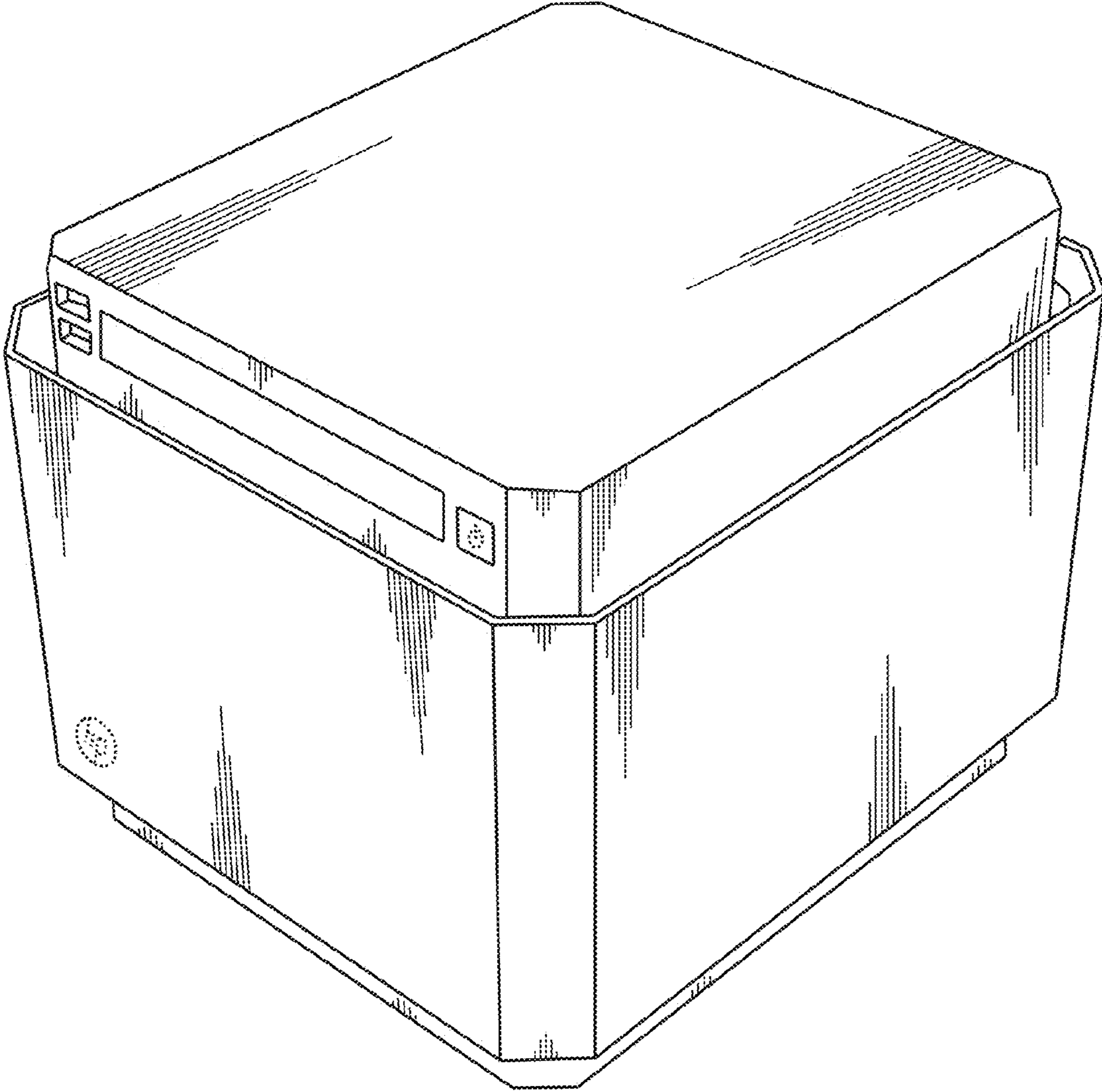
**1 Claim, 4 Drawing Sheets**



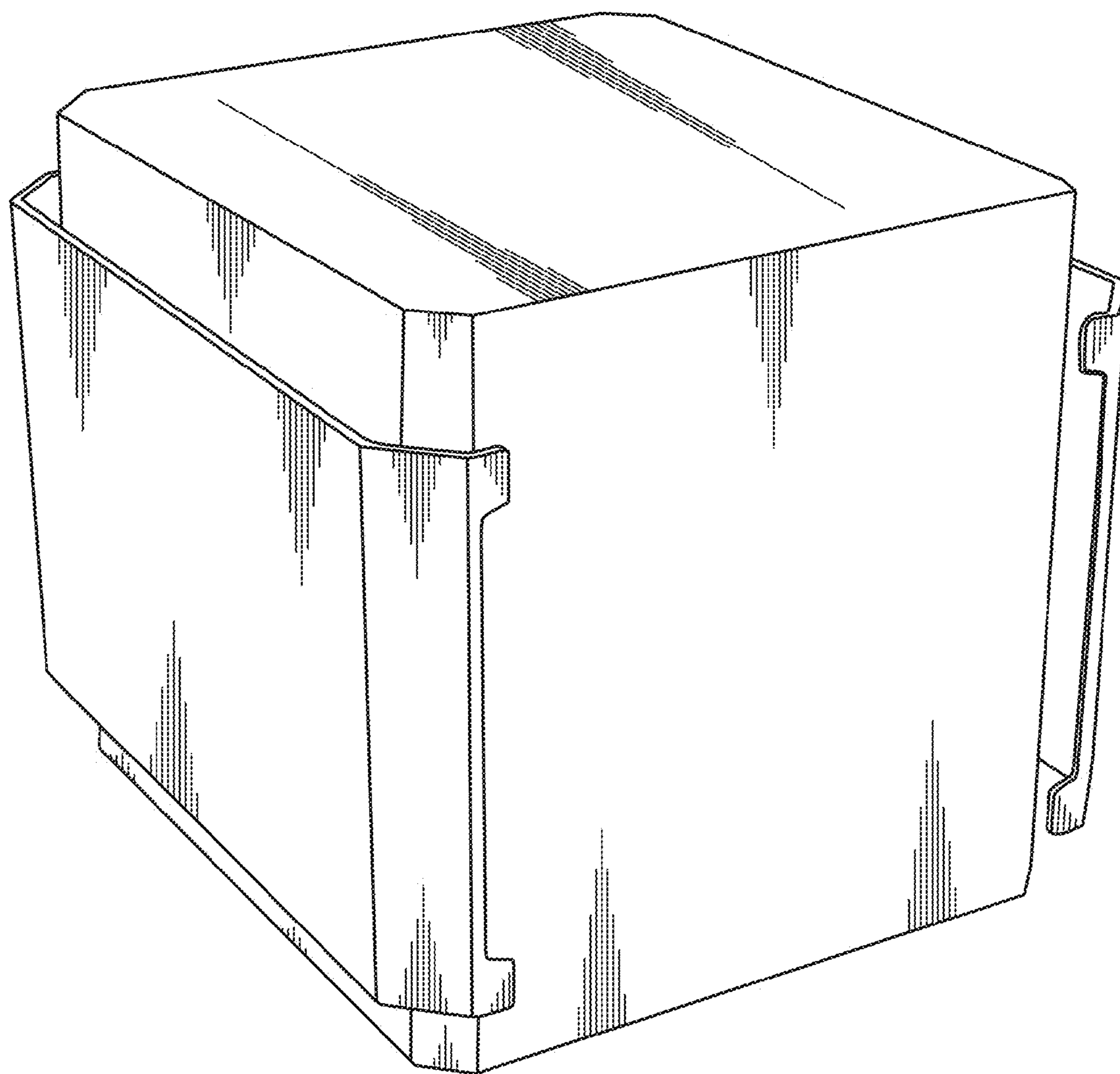


100

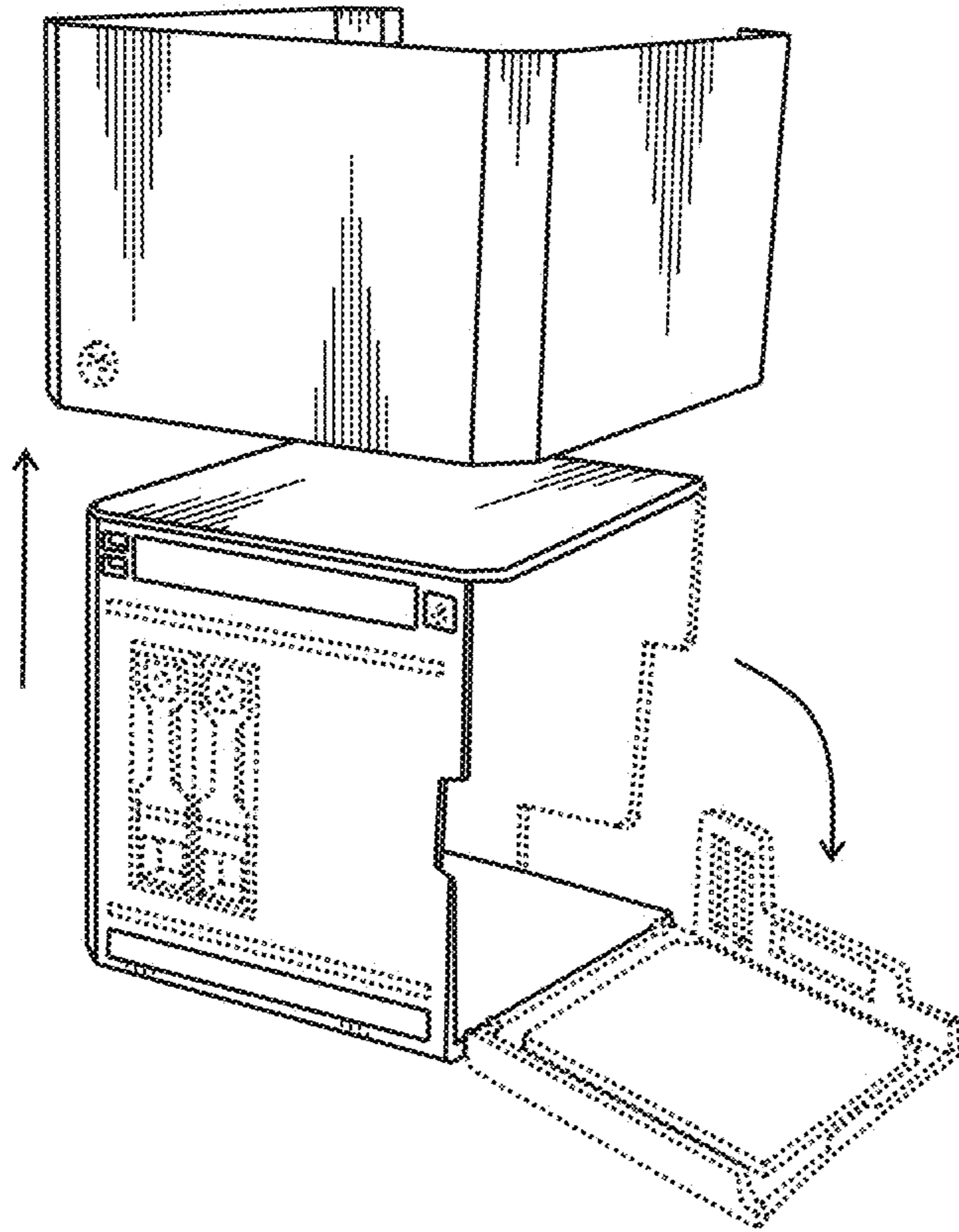
FIG. 1



200  
FIG. 2



300  
FIG. 3



400  
FIG. 4