



US00D735191S

(12) **United States Design Patent**  
**Song**

(10) **Patent No.:** **US D735,191 S**  
(45) **Date of Patent:** **\*\* Jul. 28, 2015**

(54) **ELECTRONIC DEVICE**  
(71) Applicant: **SAMSUNG ELECTRONICS CO., LTD.**, Suwon-si, Gyeonggi-do (KR)  
(72) Inventor: **Junyong Song**, Sunghnam-si (KR)  
(73) Assignee: **SAMSUNG ELECTRONICS CO., LTD.** (KR)  
(\*\*) Term: **14 Years**  
(21) Appl. No.: **29/470,864**  
(22) Filed: **Oct. 25, 2013**

D331,020 S \* 11/1992 Ishii et al. .... D10/31  
D447,704 S \* 9/2001 Deguines ..... D10/39  
D456,274 S \* 4/2002 Mille ..... D10/30  
6,678,535 B1 \* 1/2004 Narayanaswami ..... 455/557  
D507,550 S \* 7/2005 Kim et al. .... D14/138 R  
7,038,634 B2 \* 5/2006 Bisig ..... 343/866  
D535,205 S \* 1/2007 Frederick et al. .... D10/104.1  
D589,375 S \* 3/2009 Tang ..... D10/32  
D606,423 S \* 12/2009 Mille ..... D10/38  
D610,476 S \* 2/2010 Daniel ..... D10/65  
D621,808 S \* 8/2010 Kim ..... D14/138 R  
D632,192 S \* 2/2011 Jorst et al. .... D10/38  
D636,686 S \* 4/2011 Cobbett et al. .... D10/38  
D637,094 S \* 5/2011 Cobbett et al. .... D10/32  
D637,918 S \* 5/2011 Cobbett et al. .... D10/31

(Continued)

(30) **Foreign Application Priority Data**

Aug. 30, 2013 (KR) ..... 30-2013-0044690

(51) **LOC (10) Cl.** ..... **14-02**

(52) **U.S. Cl.**  
USPC ..... **D14/344**; D10/38

(58) **Field of Classification Search**

USPC ..... D14/140, 137, 138 R, 138 AB, 139, 155,  
D14/191, 192, 203.1, 203.3, 203.4, 203.5,  
D14/203.7, 248, 226, 218, 144, 240, 344,  
D14/440, 341, 346, 448, 450, 496;  
D10/30-39, 70, 65, 78, 104.1, 104.2,  
D10/125; D11/3-5, 12, 19, 25; D13/168;  
D8/354, 366, 402, 499; D3/215;  
D15/199; 381/364, 151; 379/433.1;  
455/575.1, 556.1, 556.2, 558, 575.3,  
455/575.4, 575.6, 90.3; 368/10, 13, 69,  
368/223; D21/329; D24/167

CPC ..... H04B 1/03; H04B 1/385; G04G 17/083  
See application file for complete search history.

(56) **References Cited**

**U.S. PATENT DOCUMENTS**

D80,307 S \* 1/1930 Conant ..... D10/38  
D266,230 S \* 9/1982 Tsukahara ..... D10/38  
D293,892 S \* 1/1988 Ichikawa ..... D10/38

**OTHER PUBLICATIONS**

Hyper link <http://mobilab.tistory.com/33> printed on Oct. 23, 2013, pp. 1-9.

*Primary Examiner* — Susan Bennett Hattan

*Assistant Examiner* — Marie Fast Horse

(74) *Attorney, Agent, or Firm* — Cantor Colburn LLP

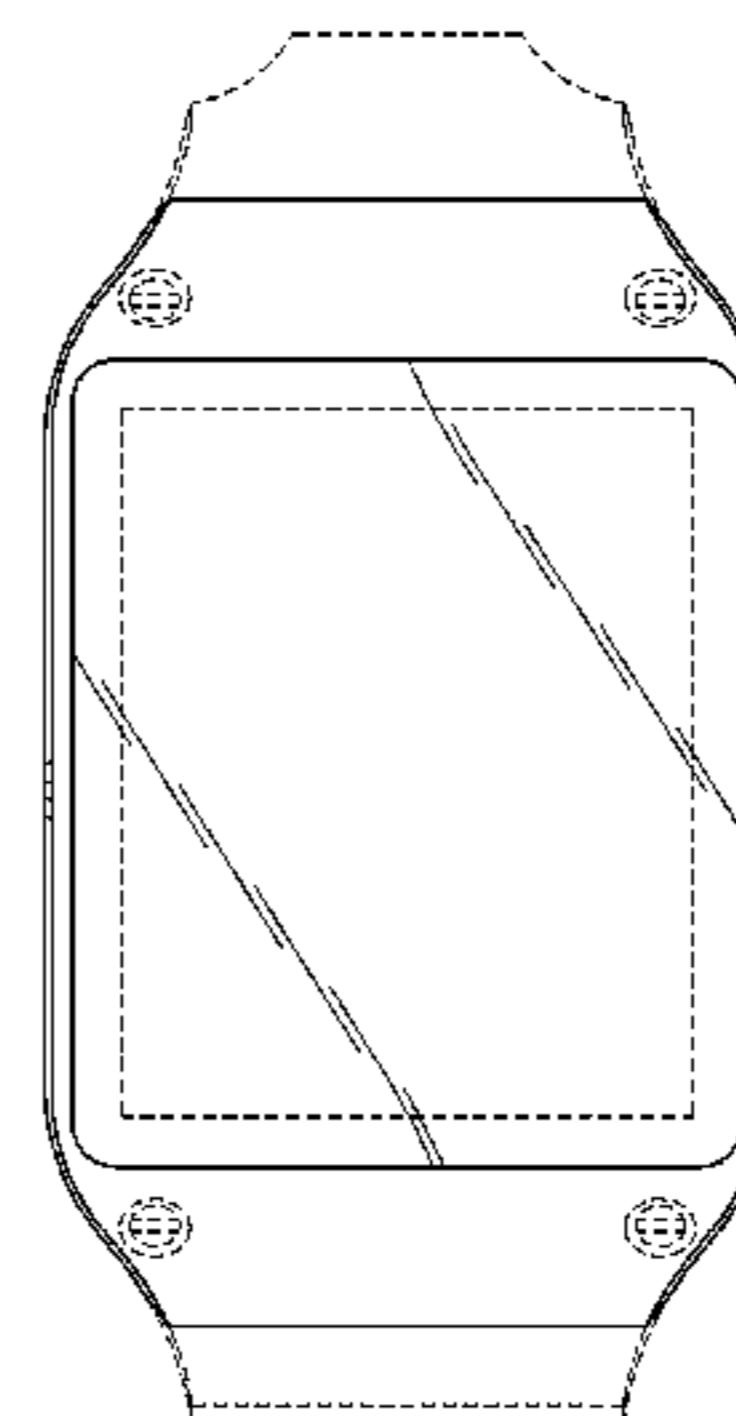
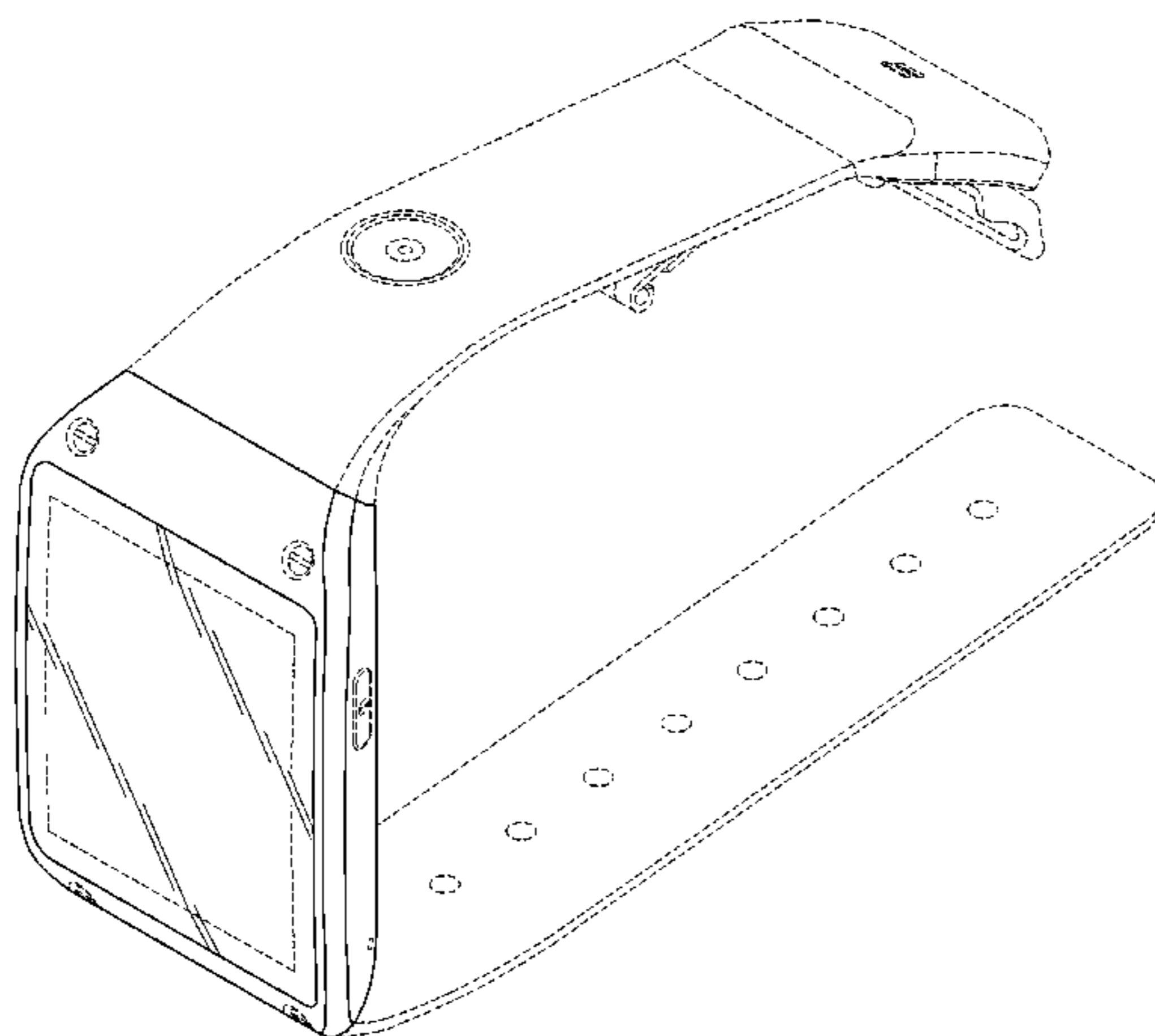
(57) **CLAIM**

The ornamental design for an electronic device, as shown and described.

**DESCRIPTION**

FIG. 1 is the front perspective view of an electronic device showing my new design;  
FIG. 2 is a front elevation view thereof;  
FIG. 3 is a rear elevation view thereof;  
FIG. 4 is a side elevation view thereof;  
FIG. 5 is another side elevation view thereof;  
FIG. 6 is a top plan view thereof; and,  
FIG. 7 is a bottom plan view thereof.  
The broken lines depict portions of the electronic device that form no part of the claimed design.

**1 Claim, 7 Drawing Sheets**



(56)

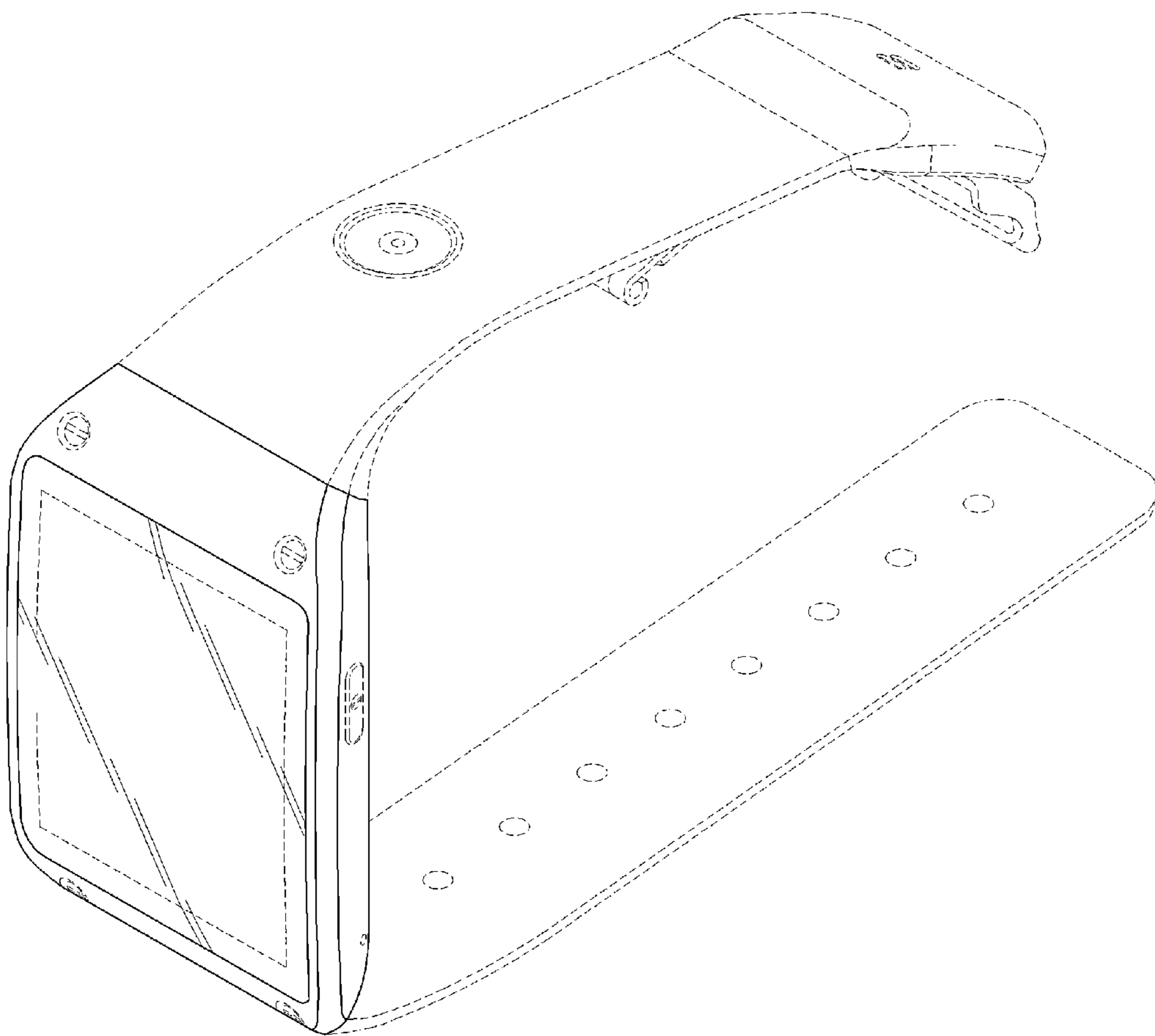
References Cited

U.S. PATENT DOCUMENTS

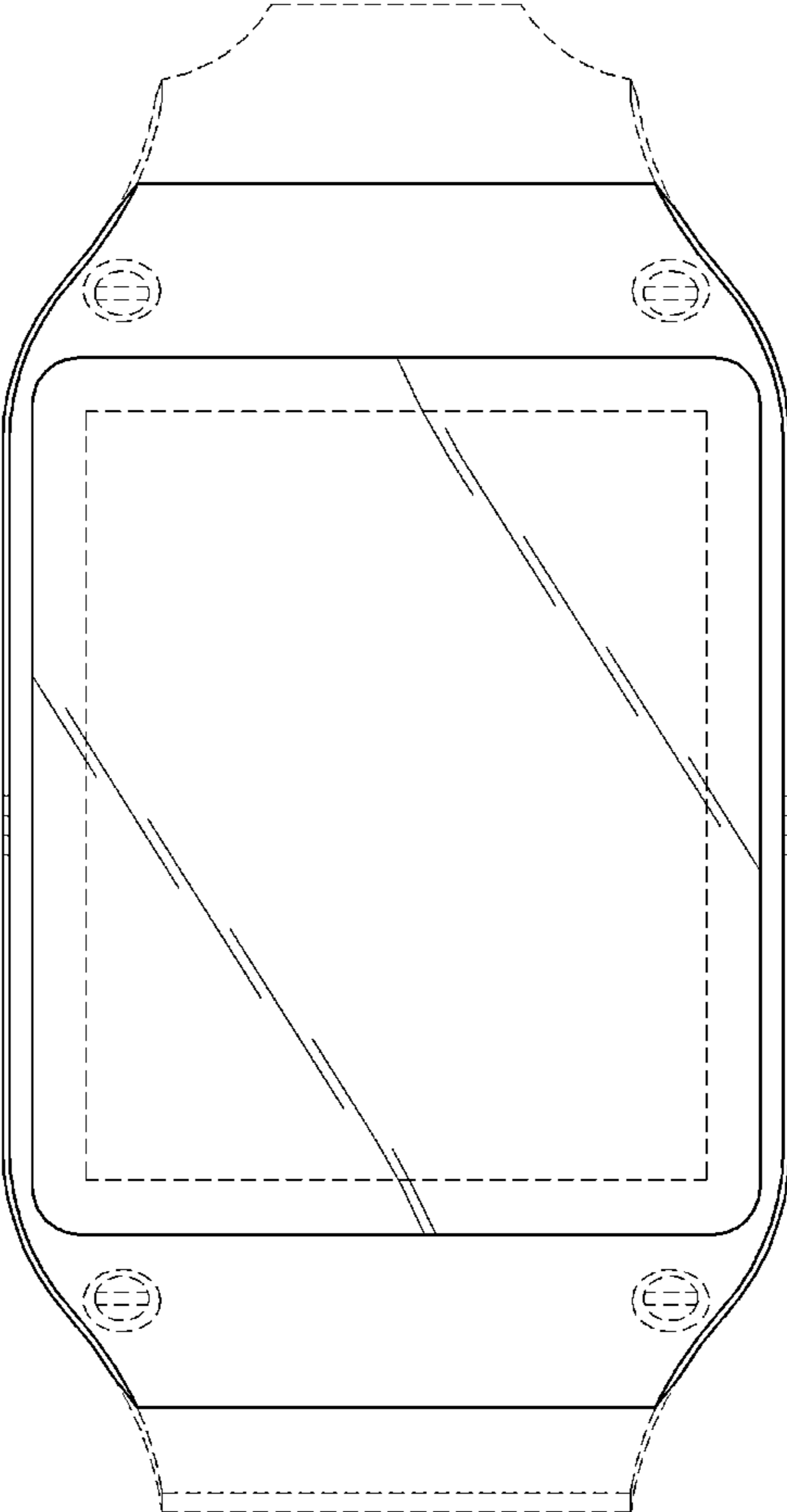
D637,992 S *	5/2011	Tom et al.	.....	D14/138 G	D672,255 S *	12/2012	Zanella et al.	.....	D10/32
D638,725 S *	5/2011	Morrison	.....	D10/39	D673,334 S *	12/2012	Guo	.....	D30/152
D639,955 S *	6/2011	Riobo Aboy et al.	.....	D24/165	D673,868 S *	1/2013	Mille	.....	D10/39
D640,367 S *	6/2011	Lin et al.	.....	D24/107	8,380,258 B2 *	2/2013	Kim et al.	.....	455/575.1
D645,910 S *	9/2011	Foster et al.	.....	D21/333	D679,199 S *	4/2013	Mille	.....	D10/39
D646,184 S *	10/2011	Duport et al.	.....	D10/39	D680,651 S *	4/2013	Lumme et al.	.....	D24/167
D651,115 S *	12/2011	Willows et al.	.....	D11/3	D689,378 S *	9/2013	Mille	.....	D10/34
D656,856 S *	4/2012	Kleinberg	.....	D11/3	D692,323 S *	10/2013	Mille	.....	D10/39
D658,515 S *	5/2012	Mille	.....	D10/39	D694,657 S *	12/2013	Mille	.....	D10/39
D660,726 S *	5/2012	Register et al.	.....	D10/38	8,620,395 B2 *	12/2013	Kang et al.	.....	455/575.1
D664,047 S *	7/2012	Mille	.....	D10/39	D703,661 S *	4/2014	Krause et al.	.....	D14/341
D664,048 S *	7/2012	Mille	.....	D10/39	D708,980 S *	7/2014	Brantman	.....	D10/128
D665,277 S *	8/2012	Chiang	.....	D10/38	D709,476 S *	7/2014	Park et al.	.....	D14/138 R
D665,952 S *	8/2012	Guo	.....	D30/152	D710,216 S *	8/2014	Mille	.....	D10/38
D667,126 S *	9/2012	Cho et al.	.....	D24/186	2009/0143117 A1 *	6/2009	Shin et al.	.....	455/575.6
8,275,327 B2 *	9/2012	Yi et al.	.....	455/90.3	2009/0156255 A1 *	6/2009	Shin et al.	.....	455/558
8,301,211 B2 *	10/2012	Lee et al.	.....	455/575.6	2009/0201767 A1 *	8/2009	Caldwell	.....	368/10
					2011/0032105 A1 *	2/2011	Hoffman et al.	.....	340/573.1
					2012/0122519 A1 *	5/2012	Jochheim	.....	455/556.1
					2014/0172983 A1 *	6/2014	Imamura	.....	709/204

\* cited by examiner

FIG. 1



**FIG. 2**



**FIG. 3**

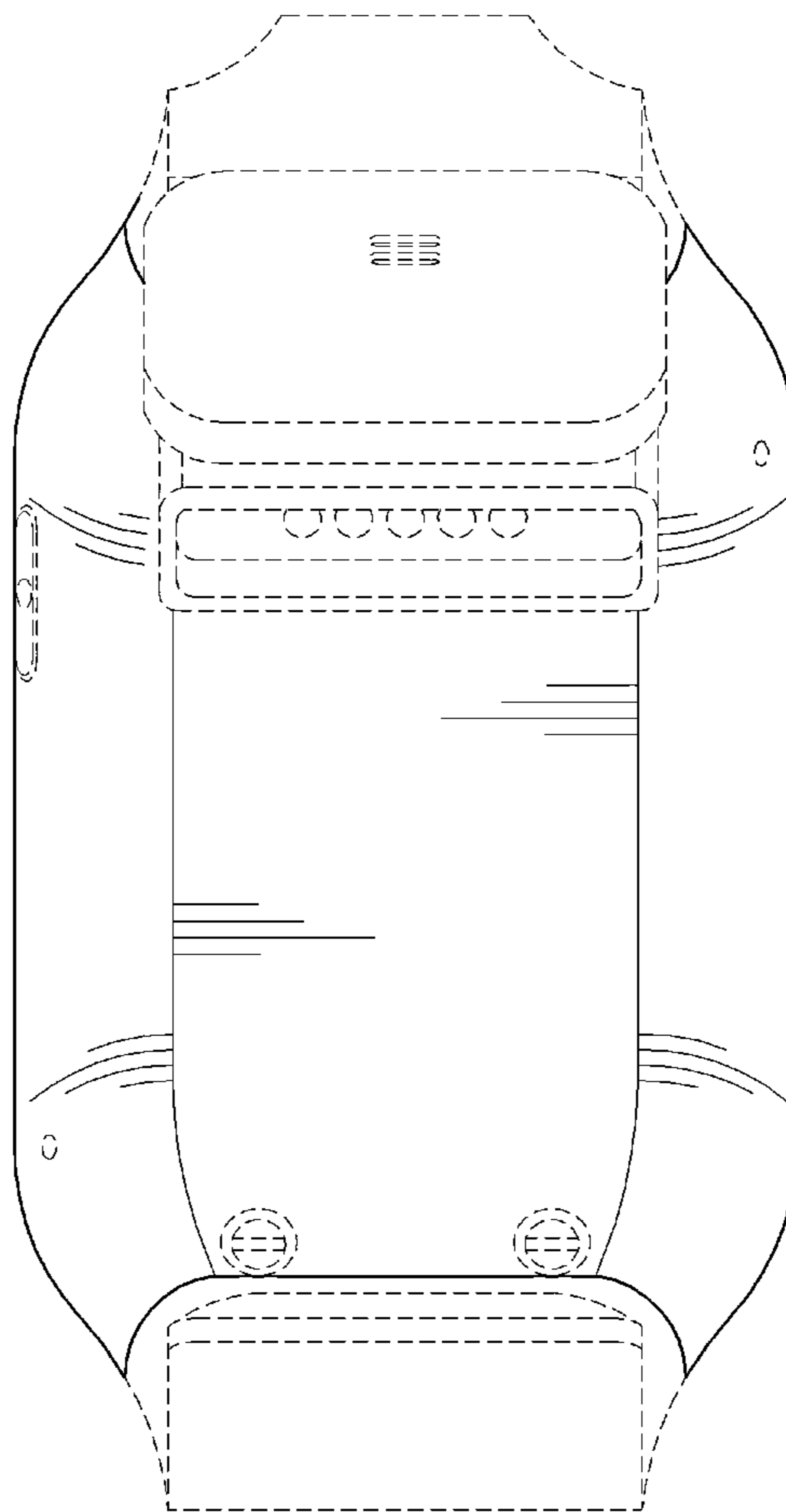


FIG. 4

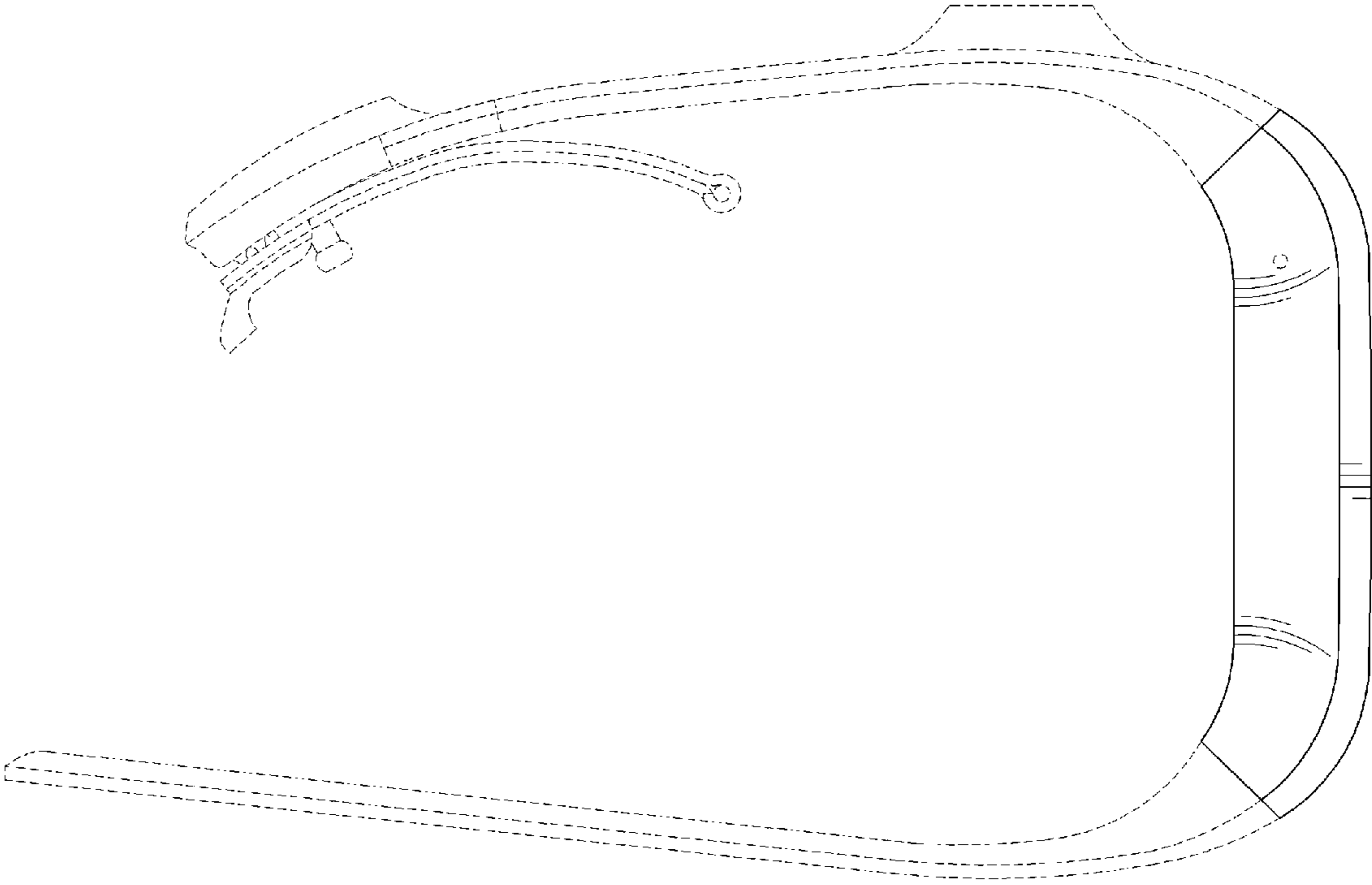
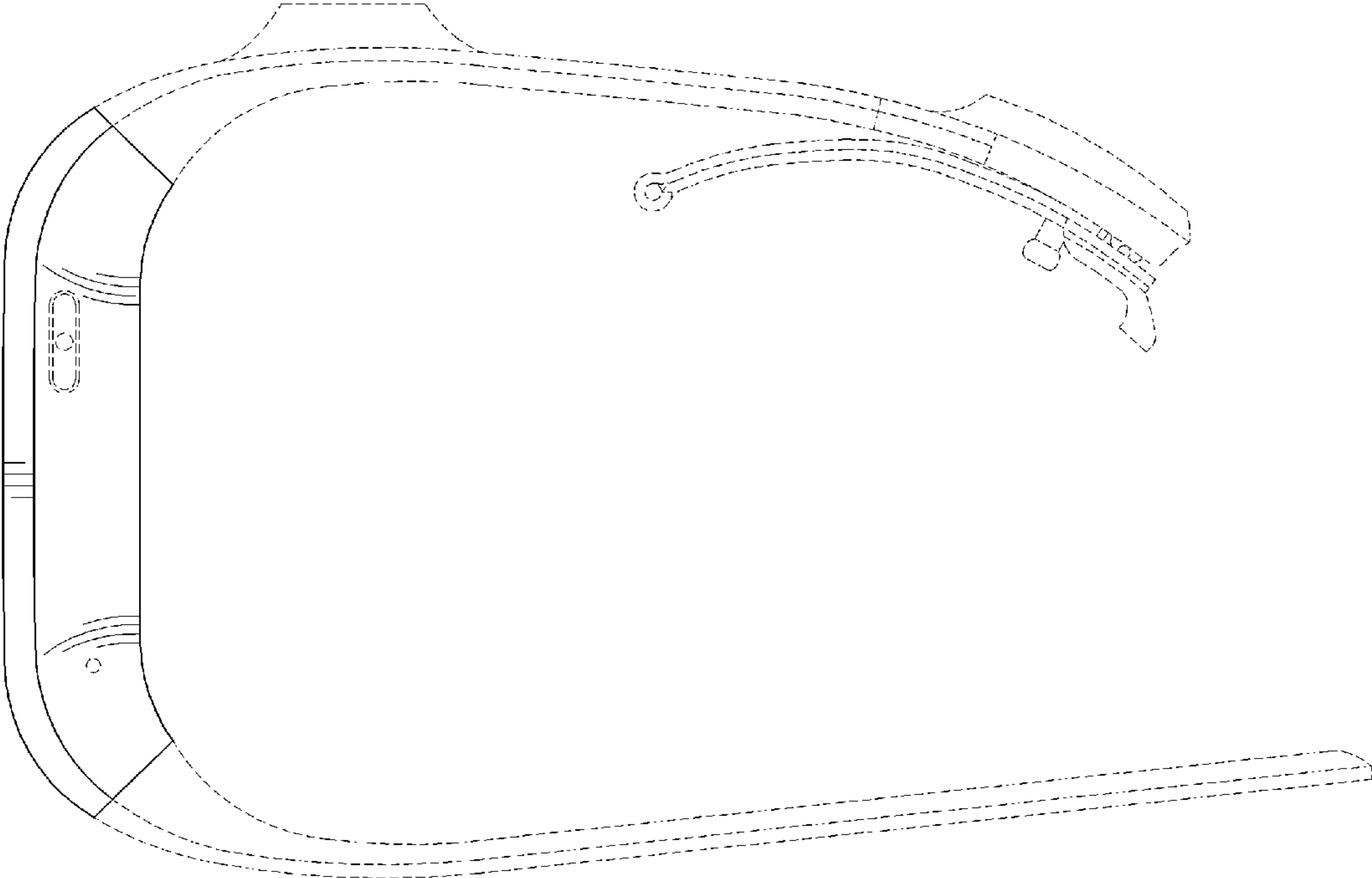
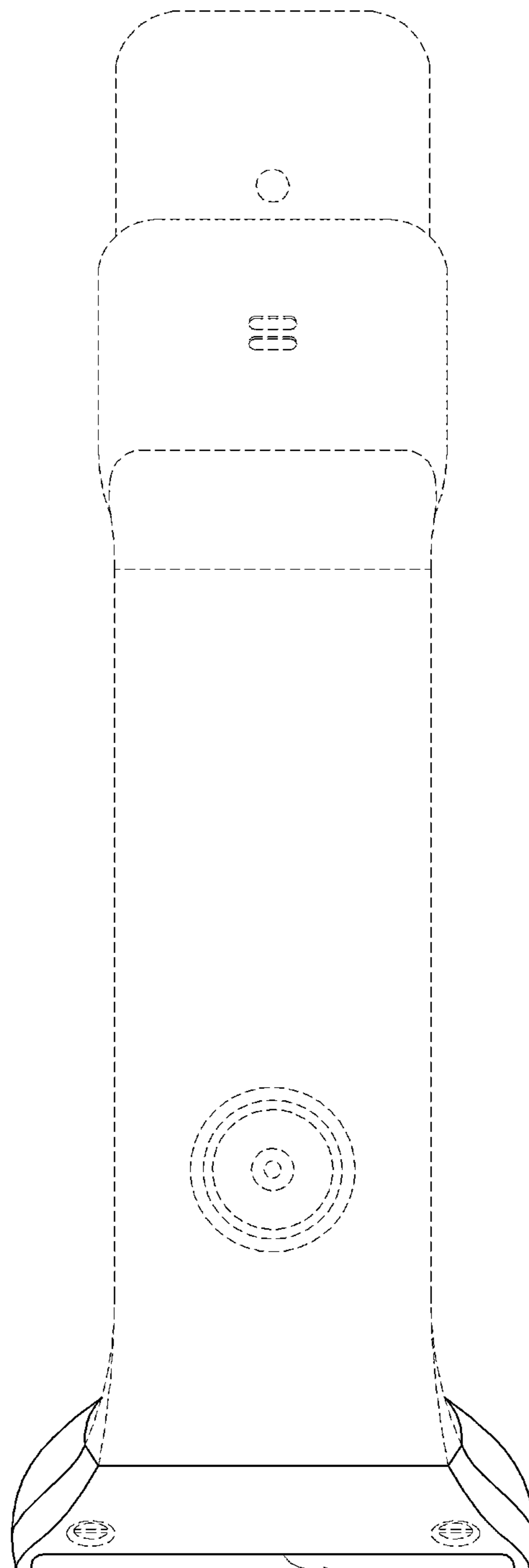


FIG. 5



**FIG. 6**





**FIG. 7**

