



US00D735190S

(12) **United States Design Patent**
Song

(10) **Patent No.:** **US D735,190 S**
(45) **Date of Patent:** **** Jul. 28, 2015**

(54) **ELECTRONIC DEVICE**

(71) Applicant: **SAMSUNG ELECTRONICS CO., LTD.**, Suwon-si, Gyeonggi-do (KR)

(72) Inventor: **Junyong Song**, Sunnam-si (KR)

(73) Assignee: **SAMSUNG ELECTRONICS CO., LTD.** (KR)

(**) Term: **14 Years**

(21) Appl. No.: **29/470,859**

(22) Filed: **Oct. 25, 2013**

(30) **Foreign Application Priority Data**

Aug. 30, 2013 (KR) 30-2013-0044691

(51) **LOC (10) Cl.** **14-02**

(52) **U.S. Cl.**
USPC **D14/344**; D11/87; D14/226

(58) **Field of Classification Search**
USPC D14/140, 137, 138 R, 138 AB, 139, 155, D14/191, 192, 203.1, 203.3, 203.4, 203.5, D14/203.7, 248, 226, 218, 144, 240, 344, D14/440, 341, 346, 448, 450, 496; D10/30-39, 70, 65, 78, 104.1, 104.2, D10/125; D11/3-5, 12, 19, 25, 87, 90, D11/94.216, 218; D13/168; D8/354, 366, D8/402, 499; D3/215; D15/199; 381/364, 381/151; 379/433.1; 455/575.1, 556.1, 455/556.2, 558, 575.3, 575.4, 575.6, 90.3; 368/10, 13, 69, 223; D21/329; D24/167; 224/175; 24/190, 265 WS
See application file for complete search history.

(56) **References Cited**

U.S. PATENT DOCUMENTS

181,022 A * 8/1876 Woodard 24/166
1,431,802 A * 10/1922 Horvath 63/22

3,034,189 A * 5/1962 Twentier 2/322
3,265,247 A * 8/1966 McKinney 224/171
3,665,564 A * 5/1972 Oka 24/265 WS
3,706,117 A * 12/1972 Axisa 24/574.1
3,797,716 A * 3/1974 Mochizuki 24/71 J
4,288,892 A * 9/1981 Mardrossian 24/307
4,324,024 A * 4/1982 Fontana 24/170
4,332,061 A * 6/1982 Rieth et al. 24/343
4,358,875 A * 11/1982 Solomon 24/190
4,847,729 A * 7/1989 Hee 361/220
4,847,818 A * 7/1989 Olsen 368/10
D327,455 S * 6/1992 Blair D11/216
5,176,301 A * 1/1993 Bert 224/178
5,179,733 A * 1/1993 Matsui 455/344
5,191,685 A * 3/1993 Aoki et al. 24/656
D407,990 S * 4/1999 Akagi D11/3

(Continued)

OTHER PUBLICATIONS

Hyper link <http://mobilab.tistory.com/33> printed on Oct. 23, 2013, pp. 1-9.

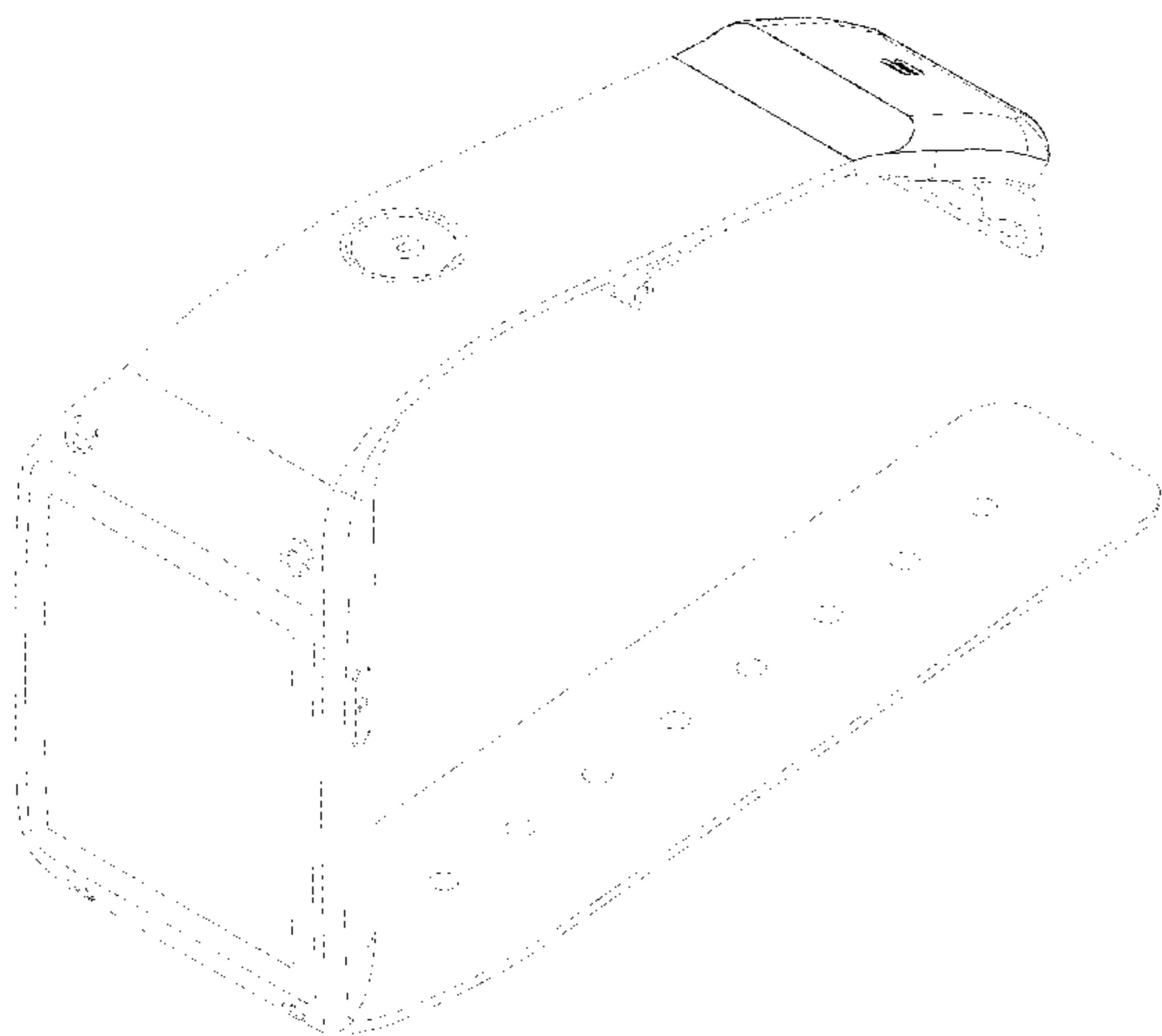
Primary Examiner — Susan Bennett Hattan
Assistant Examiner — Marie Fast Horse
(74) *Attorney, Agent, or Firm* — Cantor Colburn LLP

(57) **CLAIM**
I claim, the ornamental design for an electronic device, as shown and described.

DESCRIPTION

FIG. 1 is the front perspective view of an electronic device showing my new design;
FIG. 2 is a front elevation view thereof;
FIG. 3 is a rear elevation view thereof;
FIG. 4 is a side elevation view thereof;
FIG. 5 is another side elevation view thereof;
FIG. 6 is a top plan view thereof;
FIG. 7 is a bottom plan view thereof; and,
FIG. 8 is a top plan view thereof in a user environment.
The broken lines depict portions of the electronic device that form no part of the claimed design.

1 Claim, 8 Drawing Sheets



(56)

References Cited

U.S. PATENT DOCUMENTS

D409,940 S * 5/1999 Spandrio et al. D11/3
 D409,941 S * 5/1999 Spandrio et al. D11/3
 6,023,816 A * 2/2000 Okada et al. 24/71 J
 D443,221 S * 6/2001 Jacob et al. D11/3
 6,308,382 B1 * 10/2001 Takahashi et al. 24/265 WS
 D453,125 S * 1/2002 Citton D11/216
 D472,500 S * 4/2003 Uehara et al. D11/216
 6,681,453 B1 * 1/2004 Hashimoto et al. 24/265 WS
 D492,658 S * 7/2004 Lowinger D14/138 R
 D493,385 S * 7/2004 Uehara et al. D11/216
 D508,872 S * 8/2005 Hoepfner D11/216
 D559,146 S * 1/2008 Kawaguchi et al. D11/216
 D567,709 S * 4/2008 Cho D11/216
 D575,671 S * 8/2008 Niwa D11/216
 D595,184 S * 6/2009 Yoshiguchi D11/216
 D600,591 S * 9/2009 Kosh et al. D11/216
 7,618,260 B2 * 11/2009 Daniel et al. 439/37
 D627,684 S * 11/2010 Curtis et al. D11/216

D628,514 S * 12/2010 Paik D11/216
 D639,201 S * 6/2011 Cole D11/87
 D654,814 S * 2/2012 Kumano et al. D10/32
 D664,882 S * 8/2012 Cobbett et al. D11/3
 8,301,211 B2 * 10/2012 Lee et al. 455/575.6
 D683,654 S * 6/2013 Andren et al. D11/216
 D684,879 S * 6/2013 Hwang D11/3
 D686,526 S * 7/2013 Kawaguchi D11/216
 D686,527 S * 7/2013 Kawaguchi D11/216
 8,561,263 B2 * 10/2013 Catanese 24/71 J
 D698,503 S * 1/2014 Fidrych et al. D30/152
 D702,593 S * 4/2014 Koreishi D11/216
 D705,122 S * 5/2014 Nykoluk D11/216
 2004/0168285 A1 * 9/2004 Chan 24/265 WS
 2006/0169222 A1 * 8/2006 Gerig 119/859
 2007/0271747 A1 * 11/2007 Yamamoto 24/71 J
 2007/0279852 A1 * 12/2007 Daniel et al. 361/683
 2010/0117822 A1 * 5/2010 Hyatt 340/539.12
 2014/0075723 A1 * 3/2014 Iten 24/193
 2014/0078871 A1 * 3/2014 Savoy 368/282

* cited by examiner

FIG. 1

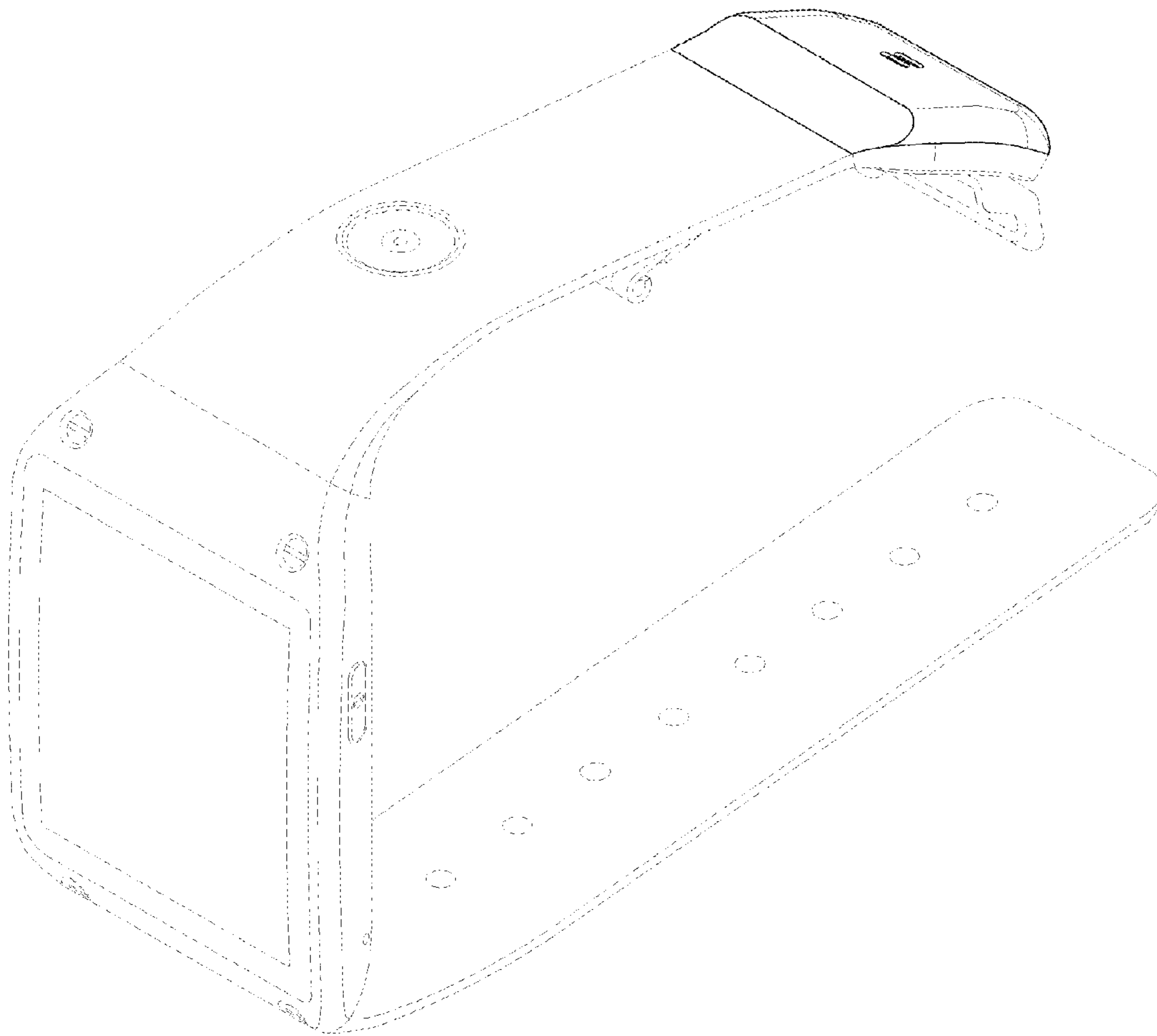


FIG. 2

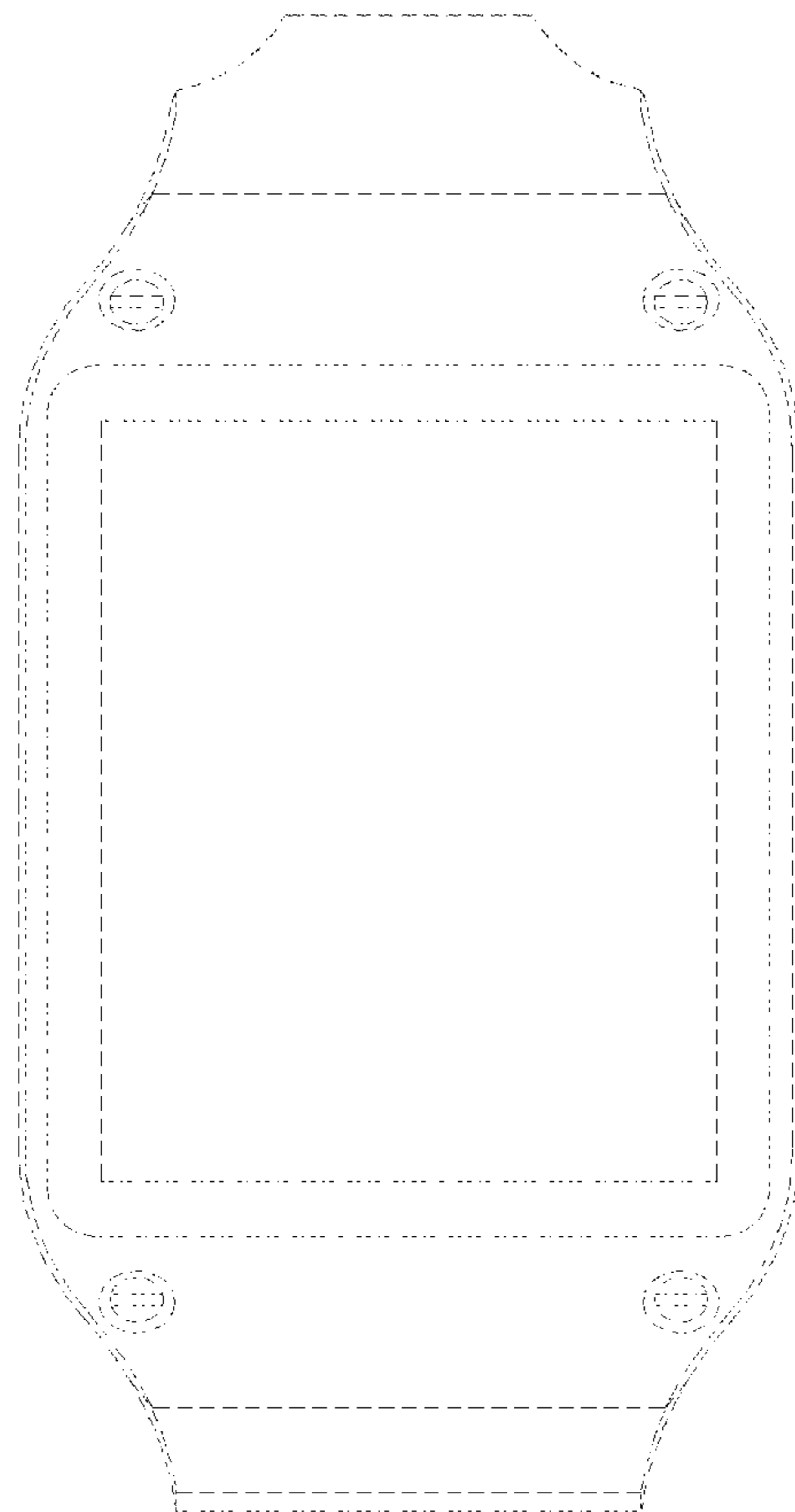


FIG. 3

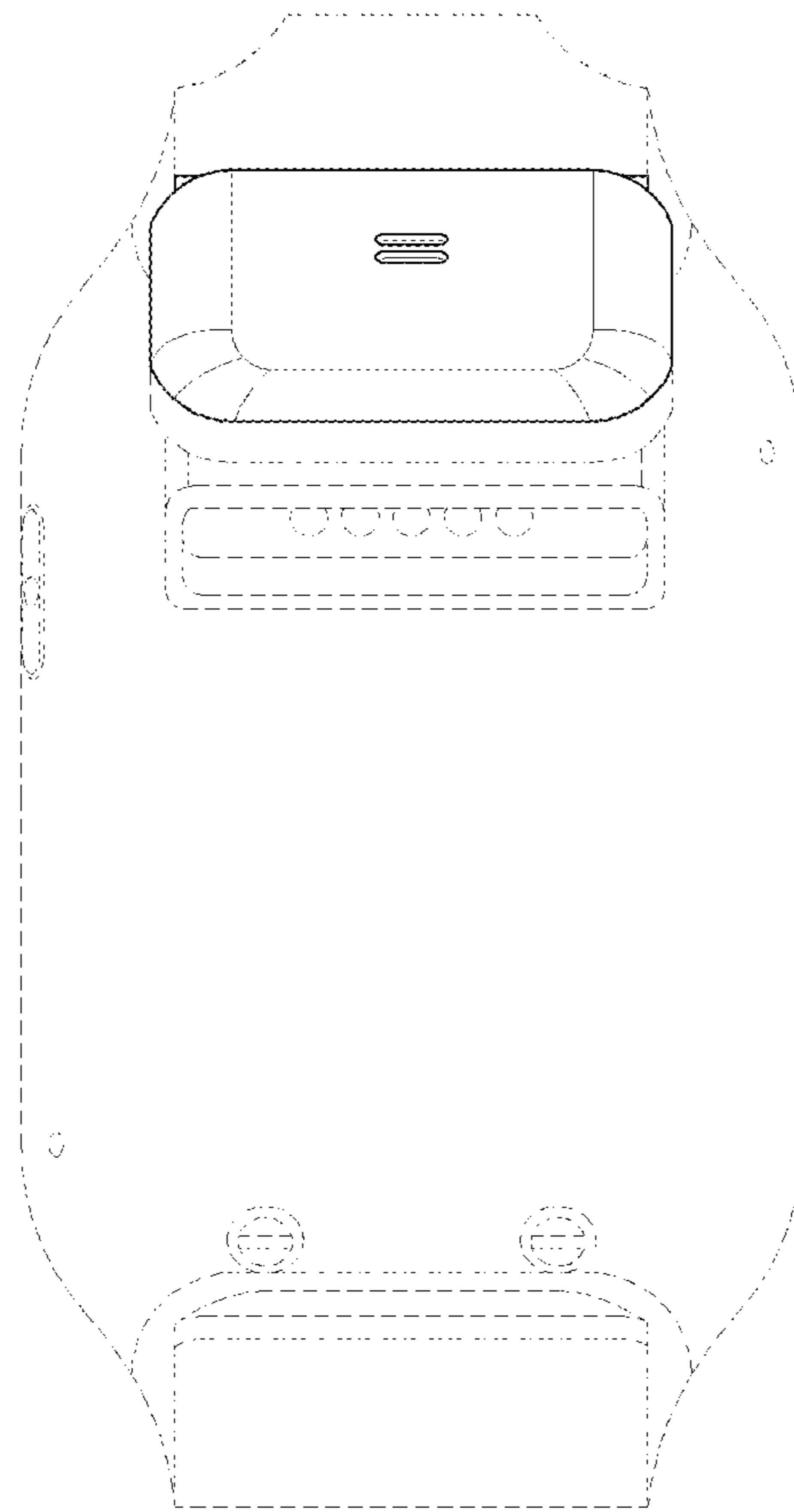


FIG. 4

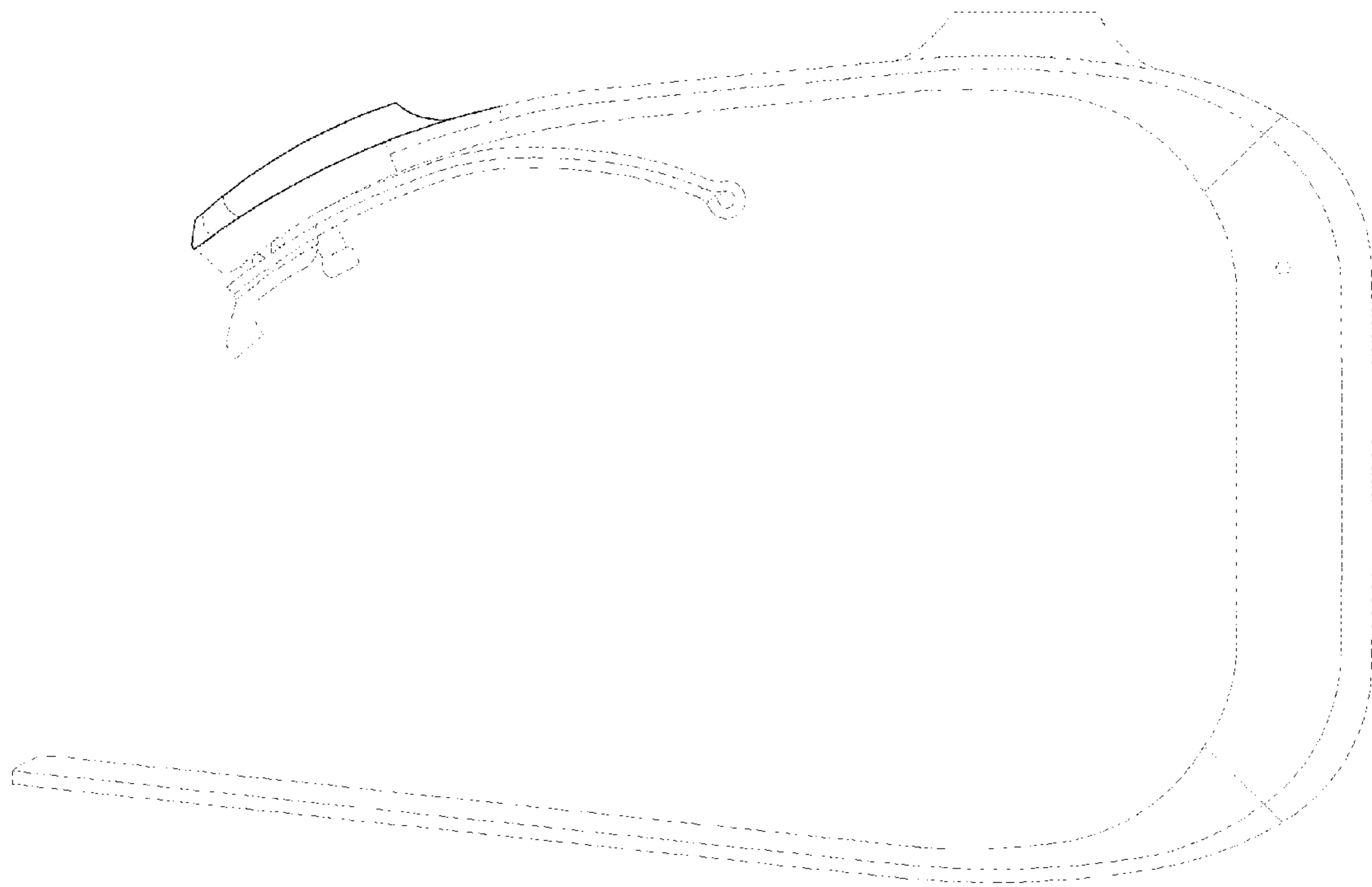


FIG. 5

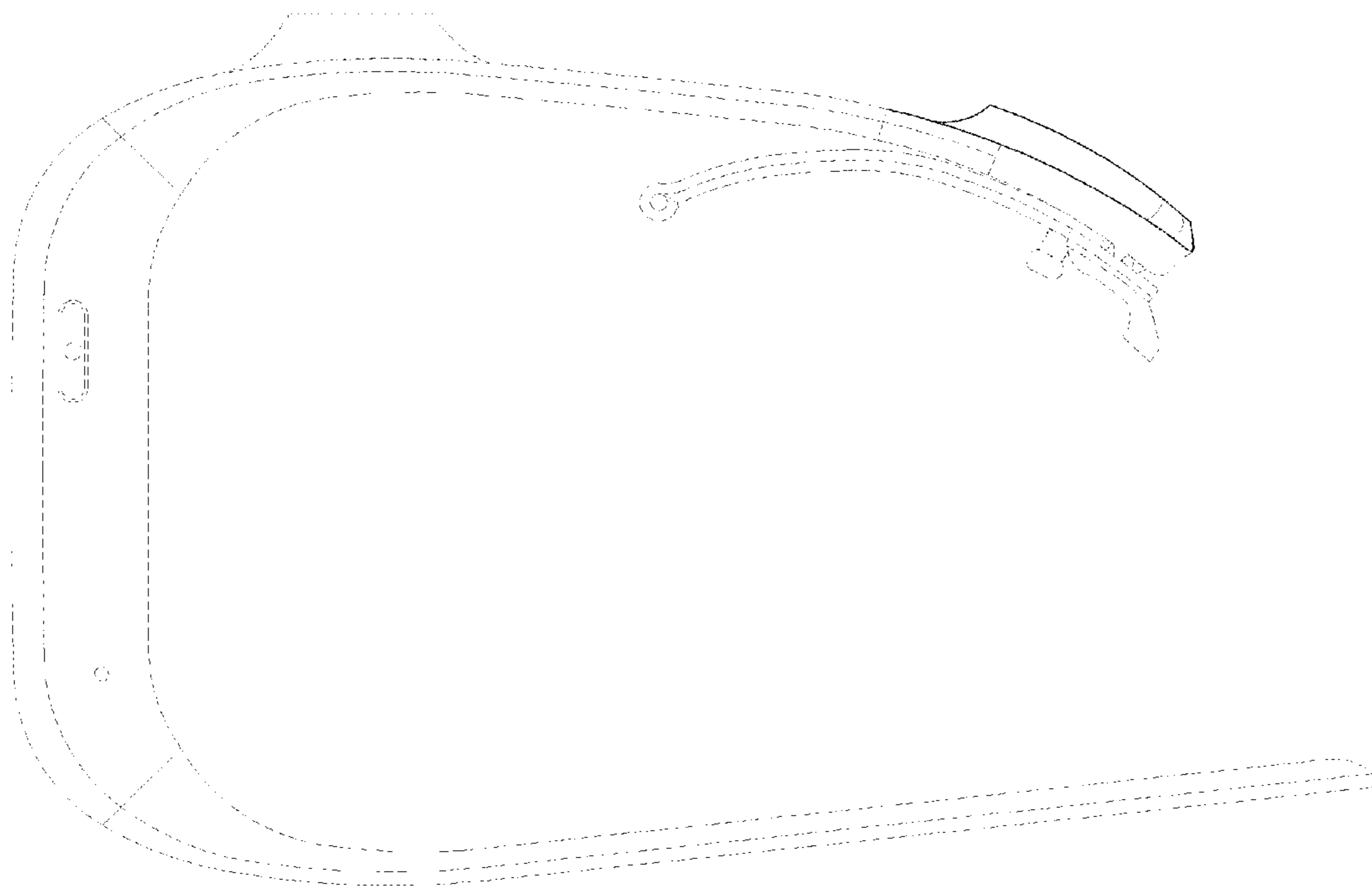


FIG. 6

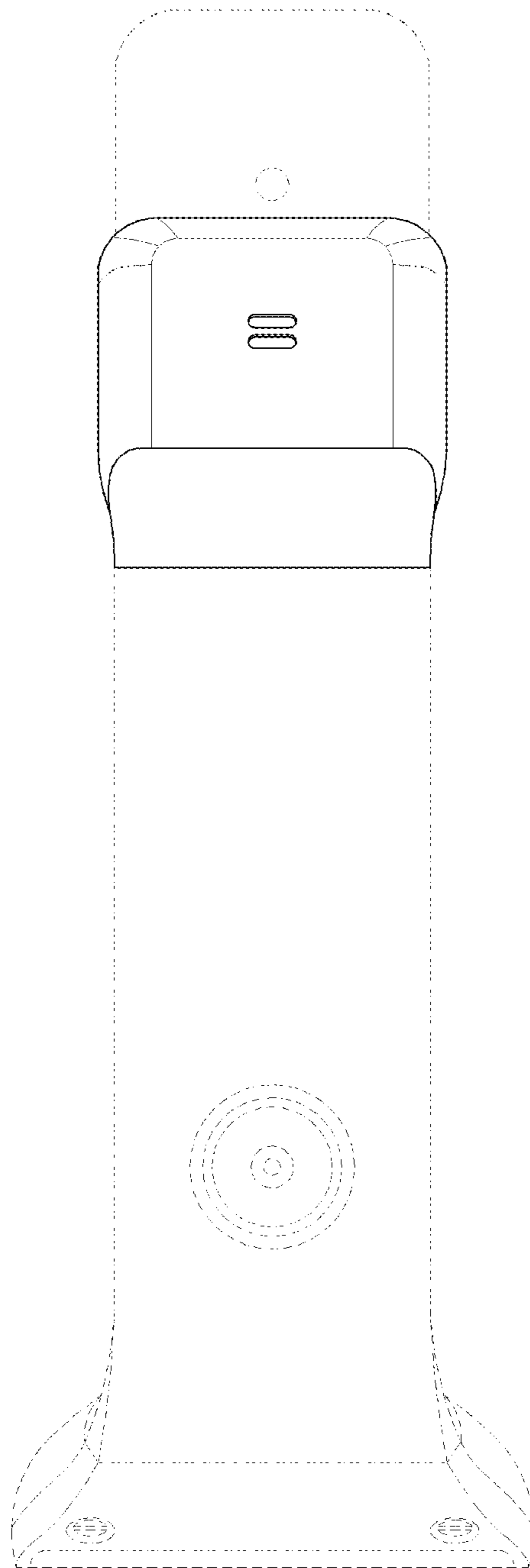


FIG. 7

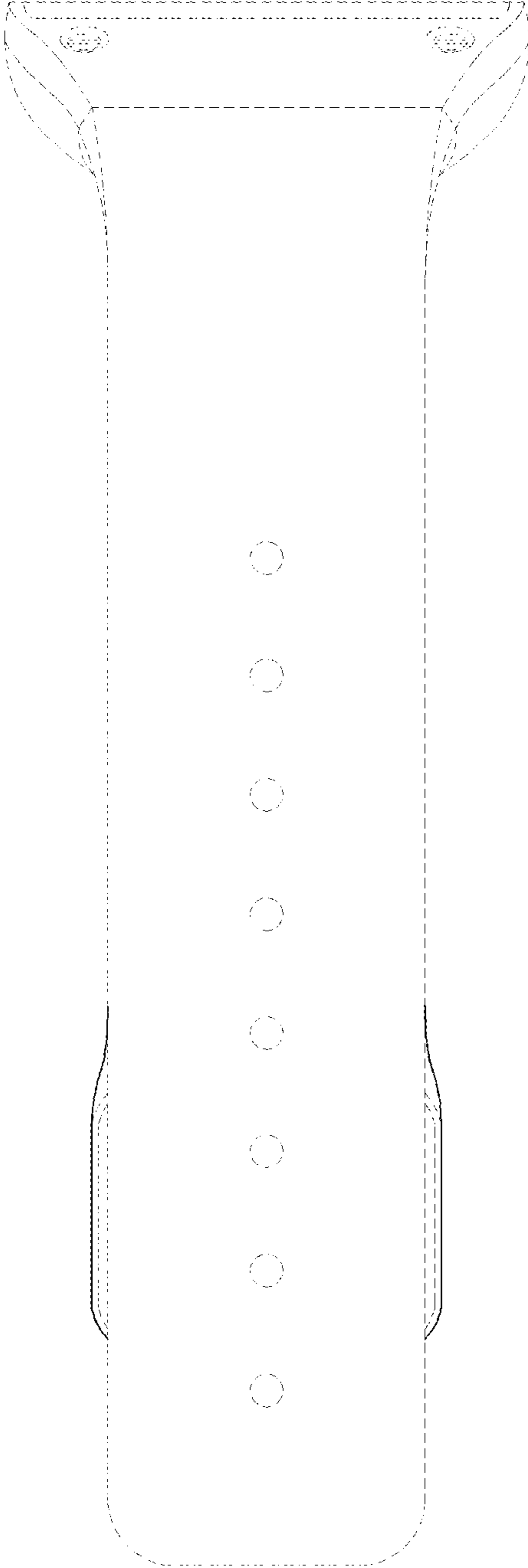


FIG. 8

