



US00D735186S

(12) **United States Design Patent**
Terwilliger et al.

(10) **Patent No.:** **US D735,186 S**

(45) **Date of Patent:** **** Jul. 28, 2015**

(54) **STORAGE SYSTEM**

(71) Applicant: **Dell Products L.P.**, Round Rock, TX
(US)

(72) Inventors: **Kevin D. Terwilliger**, Austin, TX (US);
Richard A. Crisp, Austin, TX (US);
Mark Gilson, Austin, TX (US)

(73) Assignee: **Dell Products L.P.**, Round Rock, TX
(US)

(**) Term: **14 Years**

(21) Appl. No.: **29/479,974**

(22) Filed: **Jan. 22, 2014**

(51) **LOC (10) Cl.** **14-02**

(52) **U.S. Cl.**

USPC **D14/313**; D14/444

(58) **Field of Classification Search**

USPC D14/240, 300, 308, 313, 348–356,
D14/364–368, 441–445; D13/123, 162,
D13/184, 199; 312/223.1–223.3, 351.11;
360/99.01–99.12; 369/34.01–36.01;
361/679.31–679.33, 679.37, 679.39,
361/679.46, 679.53, 679.4, 679.41, 727

CPC G06F 1/16; G06F 1/18; G06F 1/20;
A47F 7/00; G11B 33/124

See application file for complete search history.

(56) **References Cited**

U.S. PATENT DOCUMENTS

6,088,224 A * 7/2000 Gallagher et al. 361/695
D444,474 S * 7/2001 Koken et al. D14/445
6,909,611 B2 * 6/2005 Smith et al. 361/727
7,066,809 B2 * 6/2006 Yu et al. 454/184
D540,806 S * 4/2007 Wang et al. D14/445

D545,823 S * 7/2007 Cornelius et al. D14/441
D588,137 S * 3/2009 Lawrence et al. D14/444
D593,101 S * 5/2009 Alfonso et al. D14/444

* cited by examiner

Primary Examiner — Freda S Nunn

(74) *Attorney, Agent, or Firm* — Terrile, Cannatti, Chambers
& Holland, LLP; Stephen A. Terrile

(57) **CLAIM**

We claim the ornamental design for a storage system, as shown and described.

DESCRIPTION

FIG. 1 is a front perspective view of the storage system comprising the present invention;

FIG. 2 is a front view thereof;

FIG. 3 is a rear view thereof;

FIG. 4 is a right side view thereof;

FIG. 5 is a left side view thereof;

FIG. 6 is a top view thereof;

FIG. 7 is a bottom view thereof;

FIG. 8 is a perspective view of the storage system in a rack mountable configuration;

FIG. 9 is a detail perspective view of the perspective view of FIG. 1;

FIG. 10 is another detail perspective view of the perspective view of FIG. 1;

FIG. 11 is another detail perspective view of the perspective view of FIG. 1;

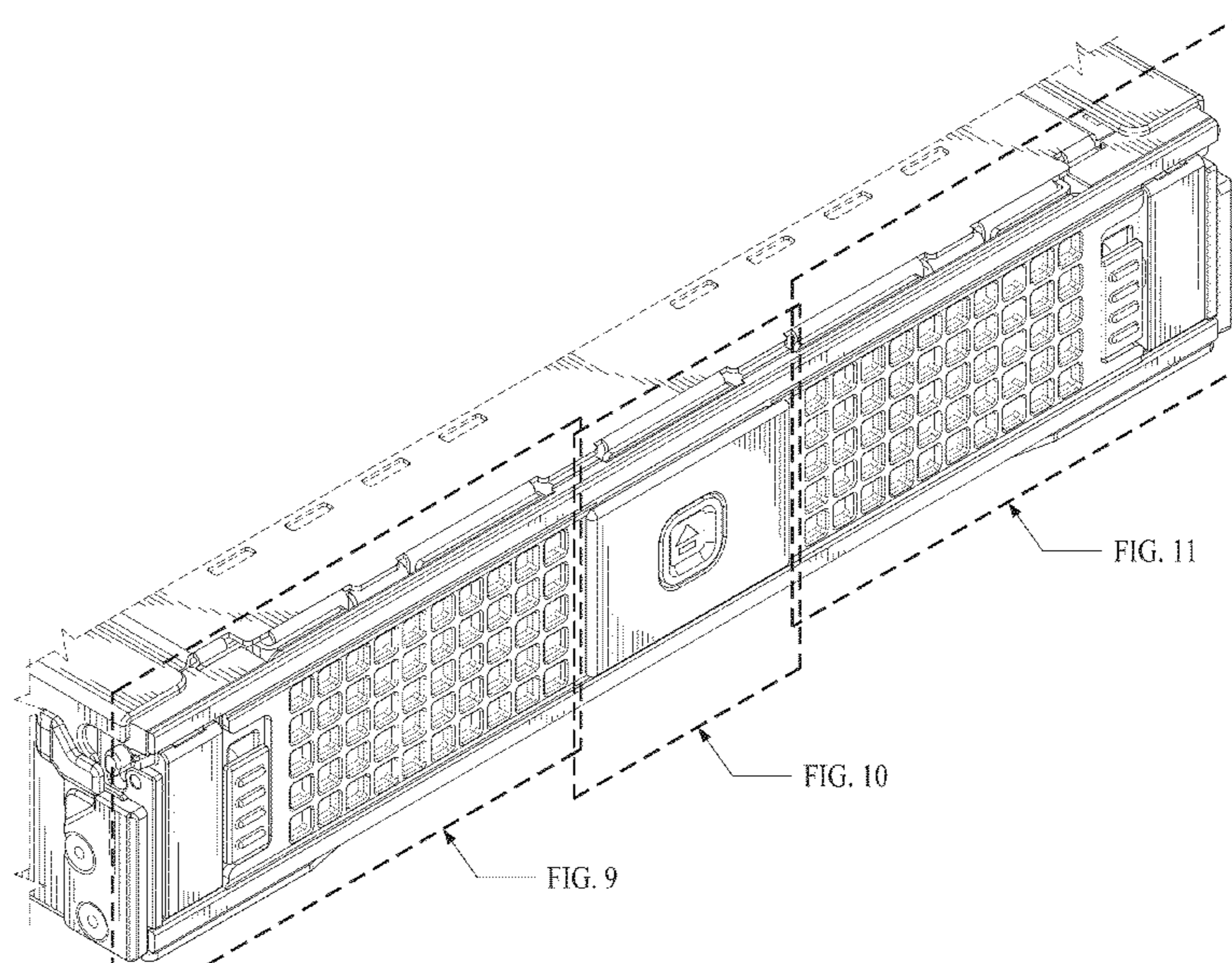
FIG. 12 is a detail front view of the front view of FIG. 2;

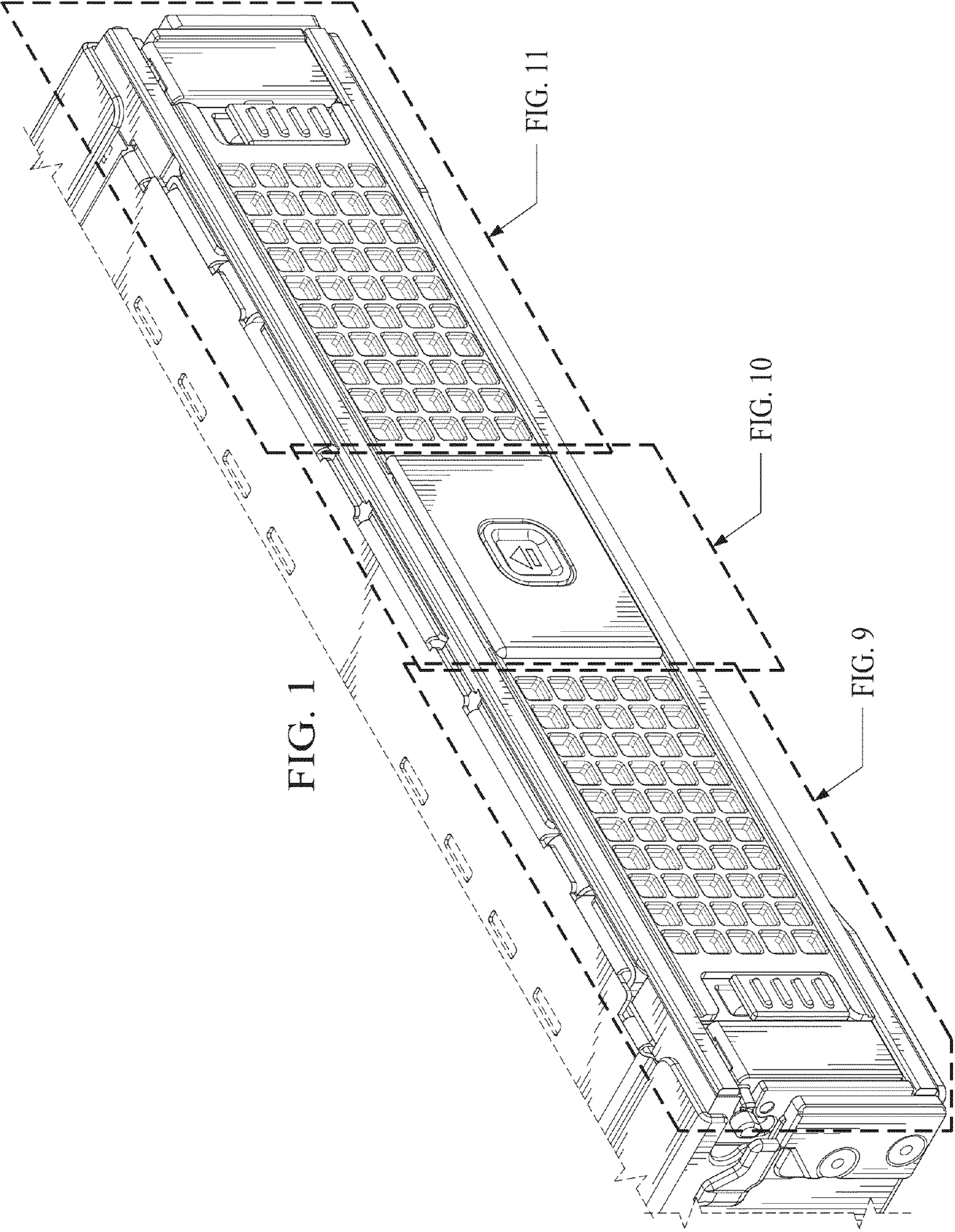
FIG. 13 is another detail front view of the front view of FIG. 2; and,

FIG. 14 is another detail front view of the front view of FIG. 2.

Broken lines shown in the drawings illustrate portions of the storage system, and form no part of the claimed design.

1 Claim, 10 Drawing Sheets





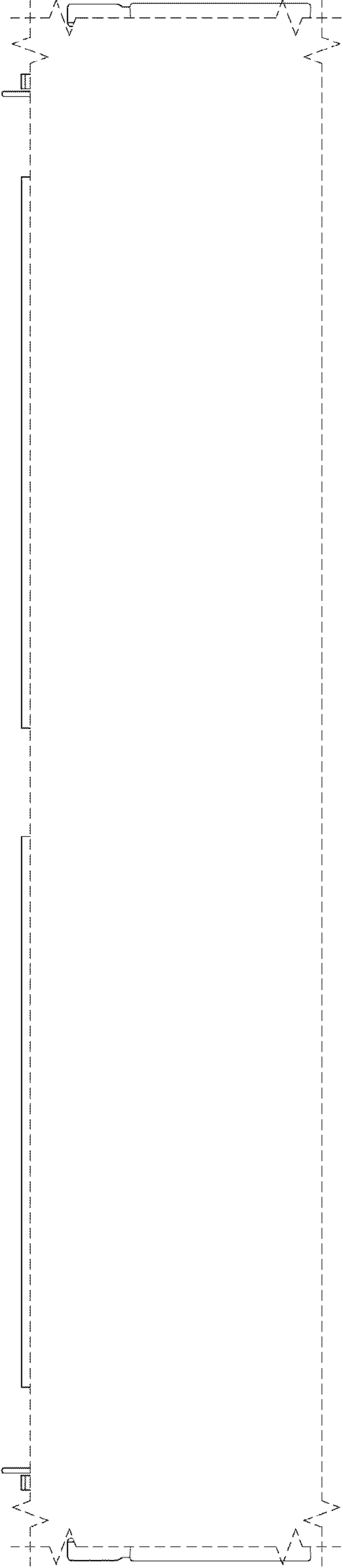
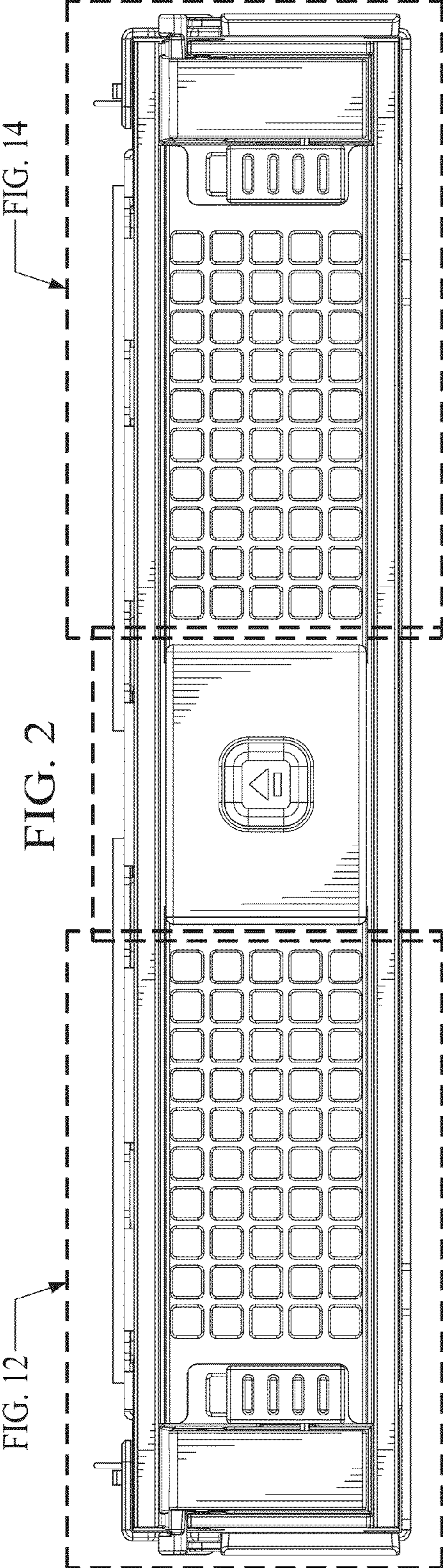


FIG. 5

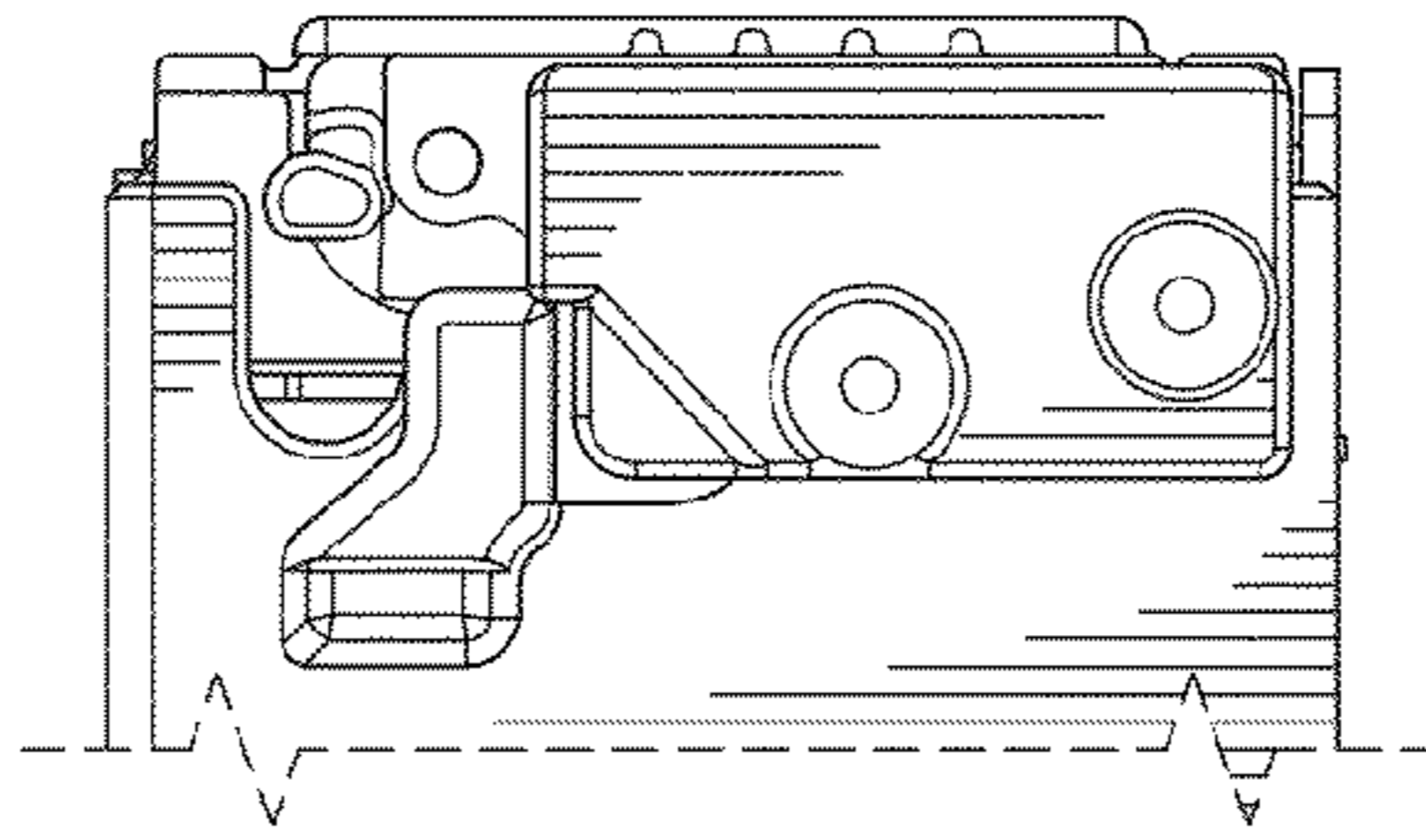


FIG. 4

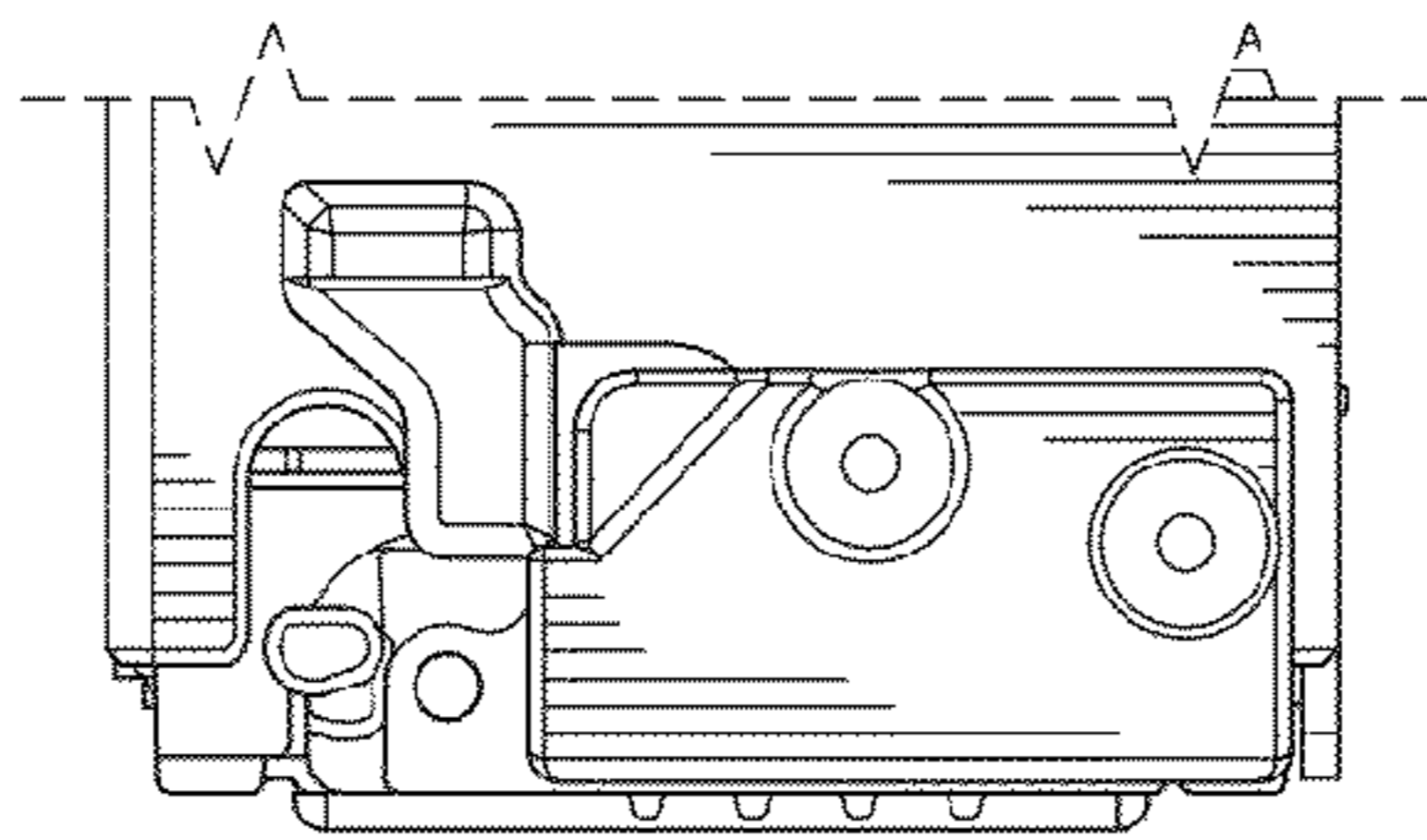


FIG. 6

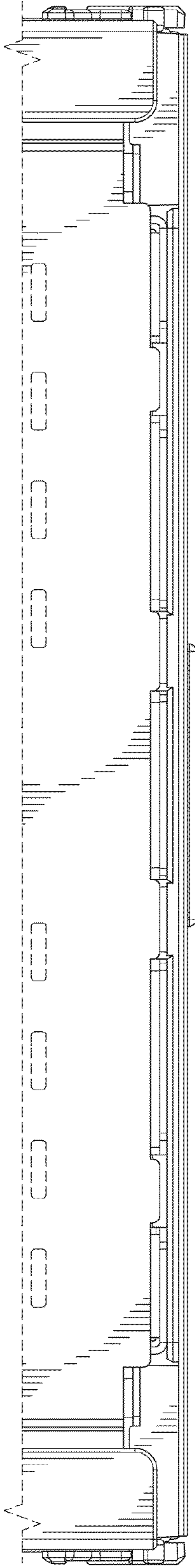
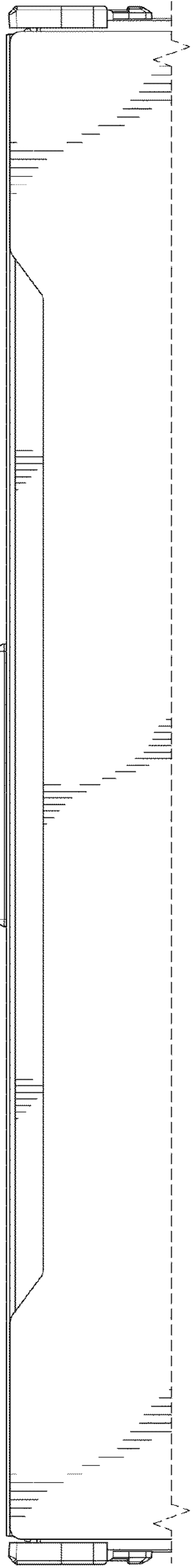


FIG. 7



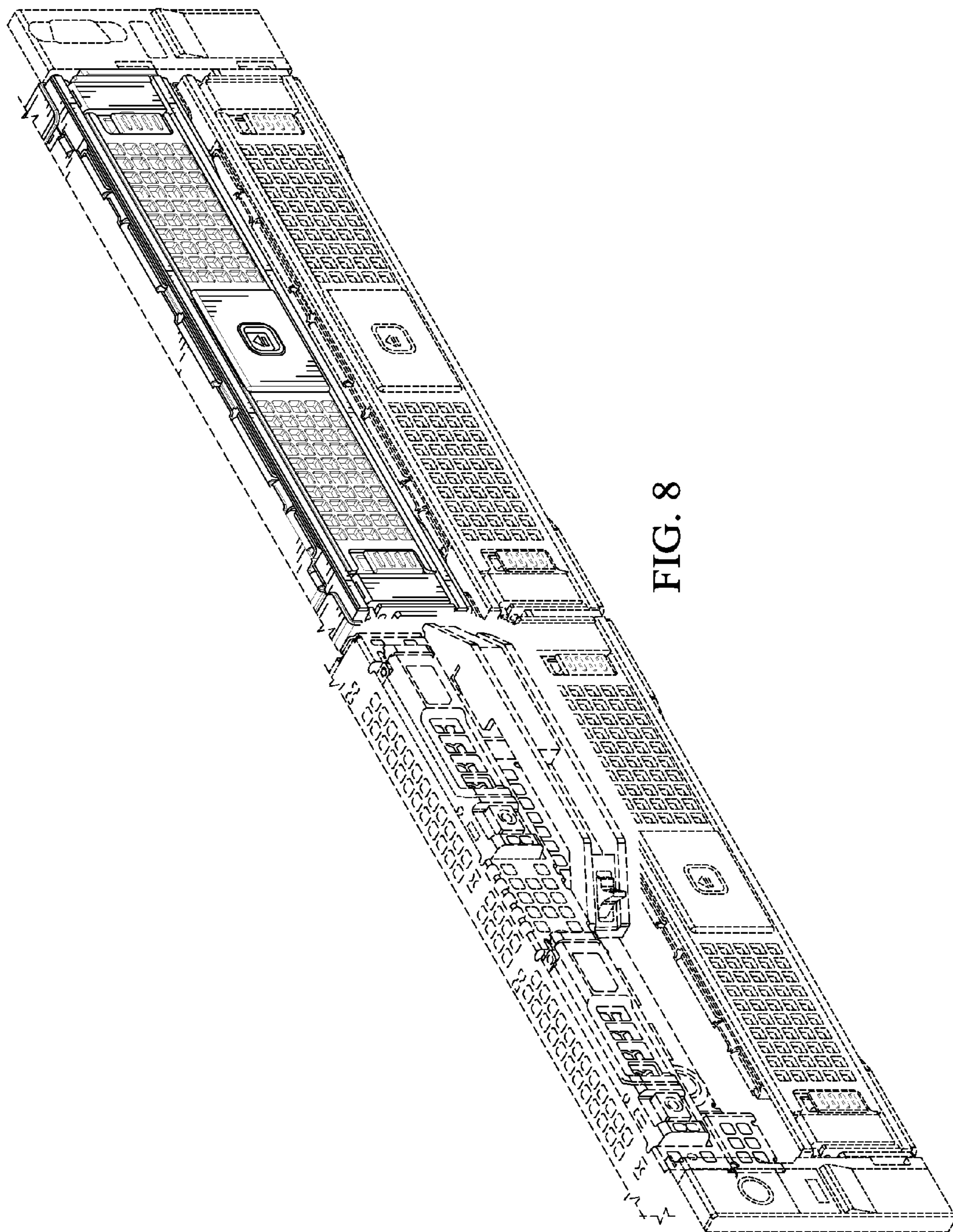
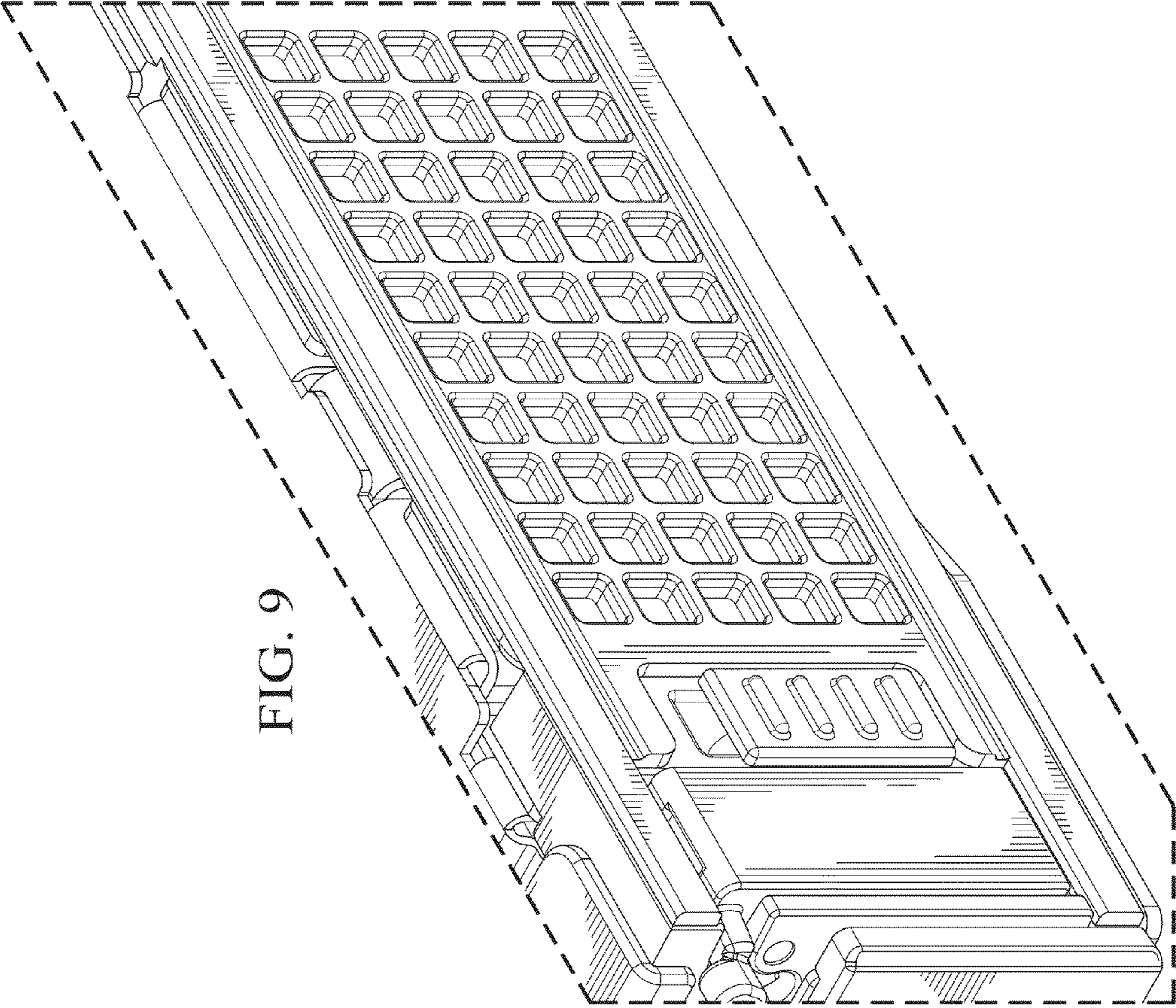
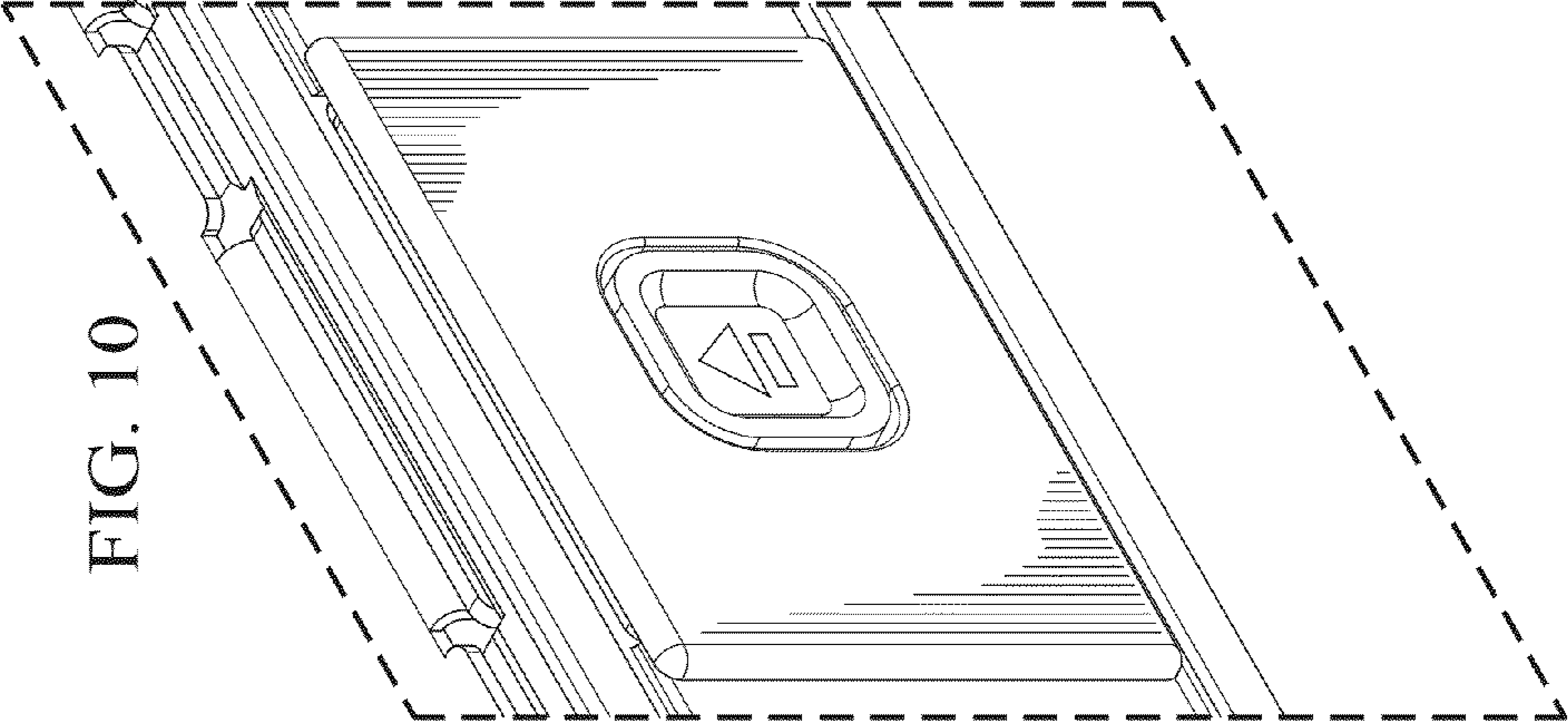


FIG. 8



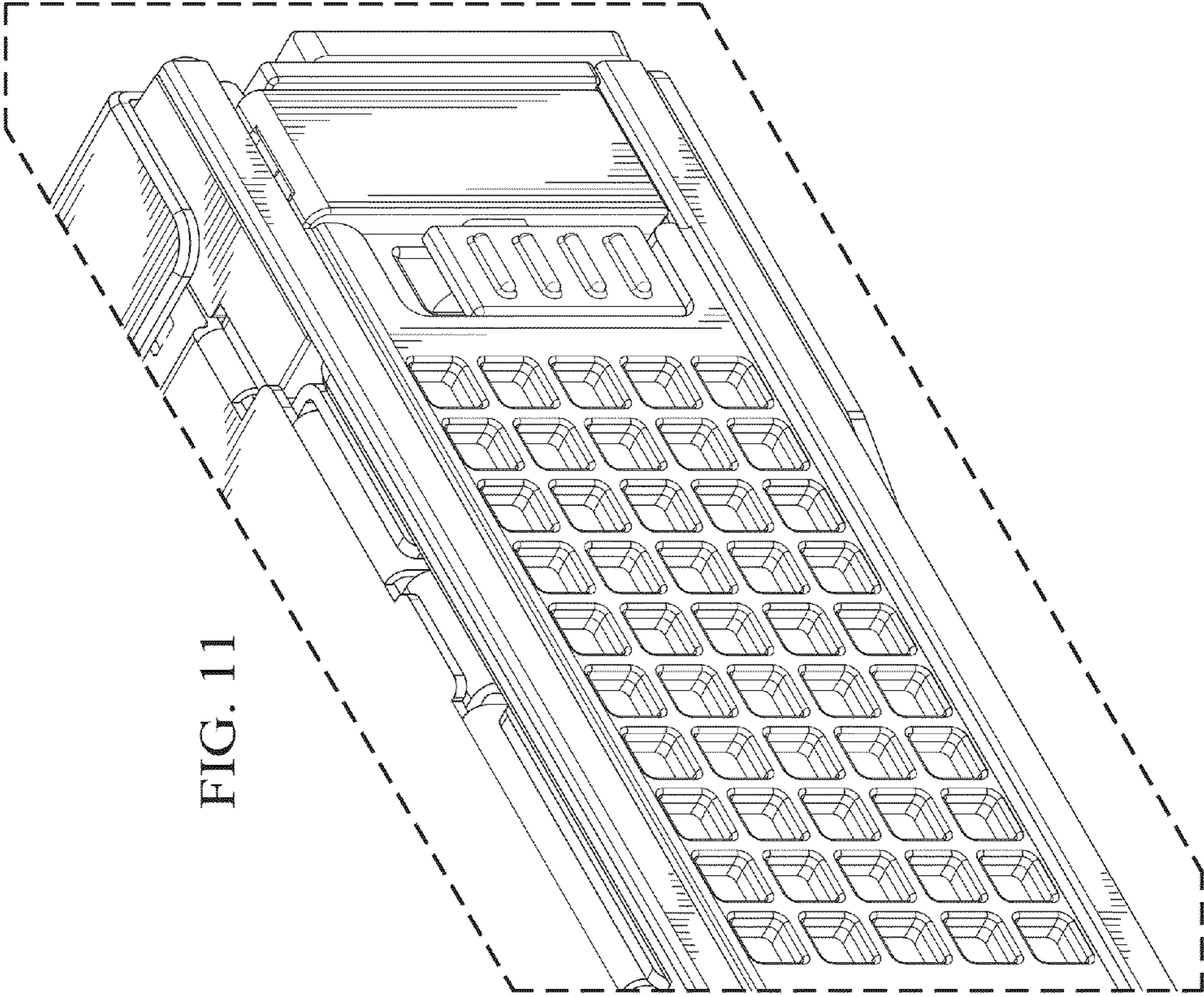


FIG. 11

FIG. 12

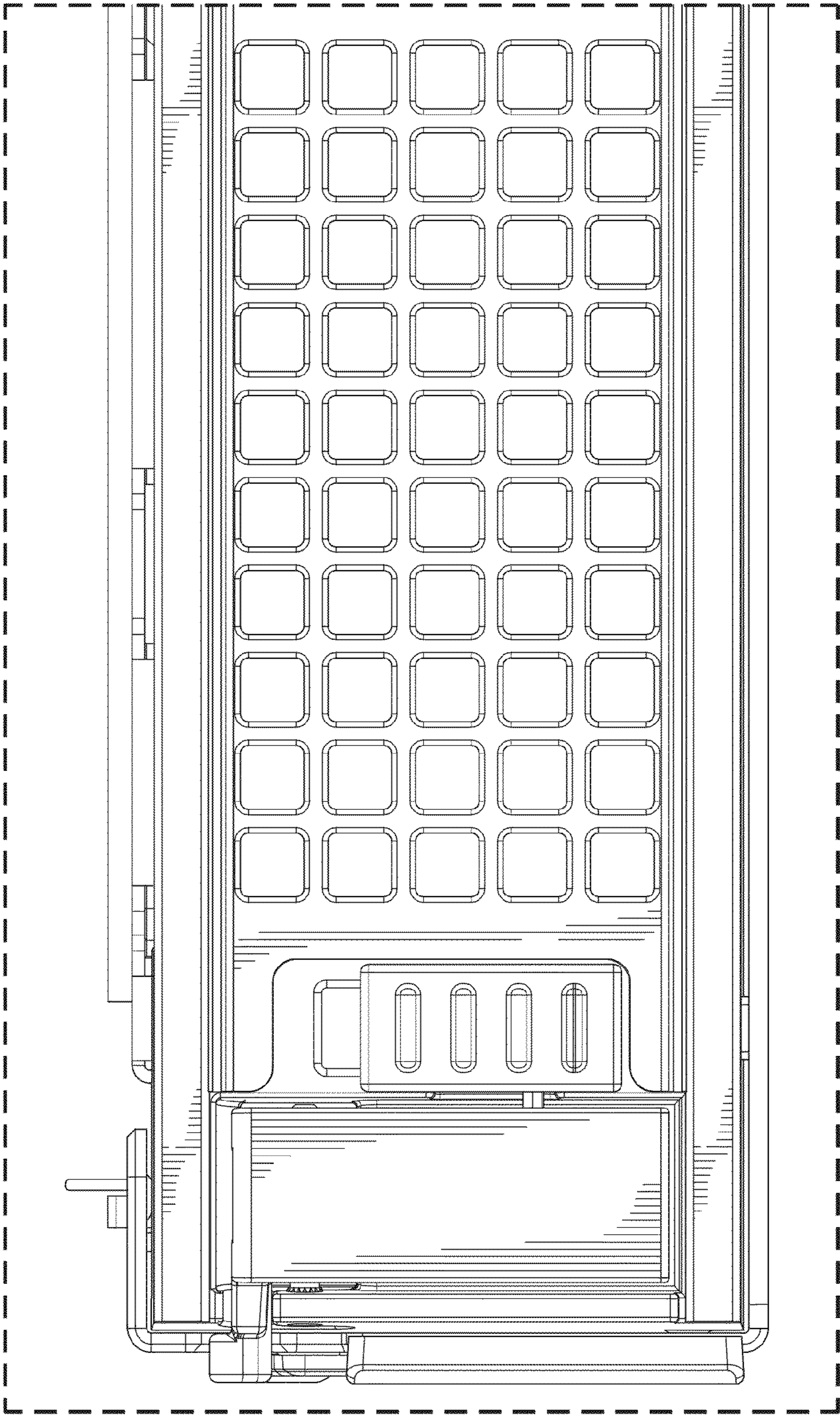


FIG. 13

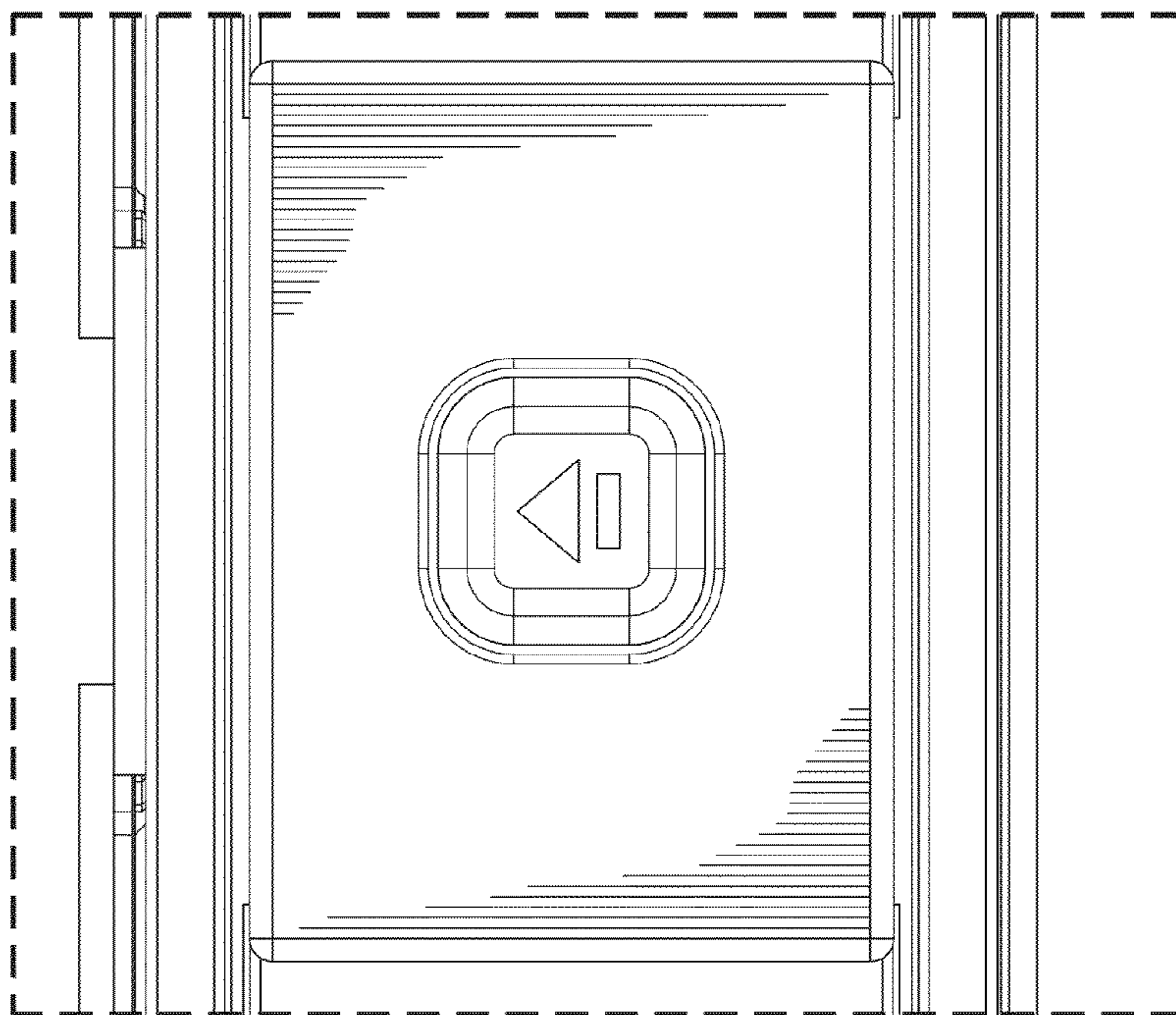


FIG. 14

