



US00D735177S

(12) **United States Design Patent**  
**Schuh et al.**

(10) **Patent No.:** **US D735,177 S**  
(45) **Date of Patent:** **\*\* Jul. 28, 2015**

(54) **SHORT THROW PROJECTOR MOUNT WITH MICRO-ADJUST FEATURE**

(71) Applicant: **Milestone AV Technologies LLC**, Eden Prairie, MN (US)

(72) Inventors: **Mathew Schuh**, Savage, MN (US); **Phil Langevin**, Apple Valley, MN (US)

(73) Assignee: **Milestone AV Technologies LLC**, Eden Prairie, MN (US)

(\*\*) Term: **14 Years**

(21) Appl. No.: **29/457,274**

(22) Filed: **Jun. 7, 2013**

(51) **LOC (10) Cl.** ..... **14-03**

(52) **U.S. Cl.**  
USPC ..... **D14/239**

(58) **Field of Classification Search**  
USPC ..... D14/239, 371, 136, 374-377; D8/363, D8/373, 349, 394; 248/465, 917-924, 248/123.11; 348/825, 827, 836, 837, 838, 348/180, 184, 325, 739; 600/443; D6/477-479, 407, 474, 460, 461, 468; 312/7.2; 341/12; 345/87, 104, 133, 345/156, 168, 169, 173; 720/605, 669, 600, 720/655; 369/99, 197; 455/344-347; 349/1, 349/2, 11, 62; 108/59, 91, 92, 96; 211/40, 211/41.12, 42, 49.1, 50, 85.2, 90.04, 187, 211/190, 119.003, 134.153, 87.01, 71.01  
CPC ..... G06F 1/163; A45F 2005/008  
See application file for complete search history.

(56) **References Cited**

**U.S. PATENT DOCUMENTS**

2,749,144 A \* 6/1956 Kayler ..... 280/438.1  
5,779,206 A \* 7/1998 Harris et al. .... 248/214  
6,042,068 A \* 3/2000 Tcherny ..... 248/221.11  
6,273,382 B1 \* 8/2001 Pemberton ..... 248/286.1

6,523,799 B2 2/2003 Su  
6,592,090 B1 \* 7/2003 Li ..... 248/284.1  
D537,656 S \* 3/2007 Stenhouse et al. .... D6/474  
7,185,868 B2 \* 3/2007 Wang ..... 248/422  
D549,558 S \* 8/2007 Dittmer et al. .... D8/363  
2001/0000300 A1 4/2001 Haile-Mariam  
2004/0005798 A1 1/2004 Lin

**FOREIGN PATENT DOCUMENTS**

KR 10 2003 0082872 10/2003  
WO WO2011/019402 A1 2/2011

**OTHER PUBLICATIONS**

PCT Notification of Transmittal of The International Search Report and the Written Opinion of the International Searching Authority, or the Declaration, PCT/US2013/030236, Mailed Aug. 12, 2013.

\* cited by examiner

*Primary Examiner* — Randall Gholson

(74) *Attorney, Agent, or Firm* — Patterson Thunte Pedersen, P.A.

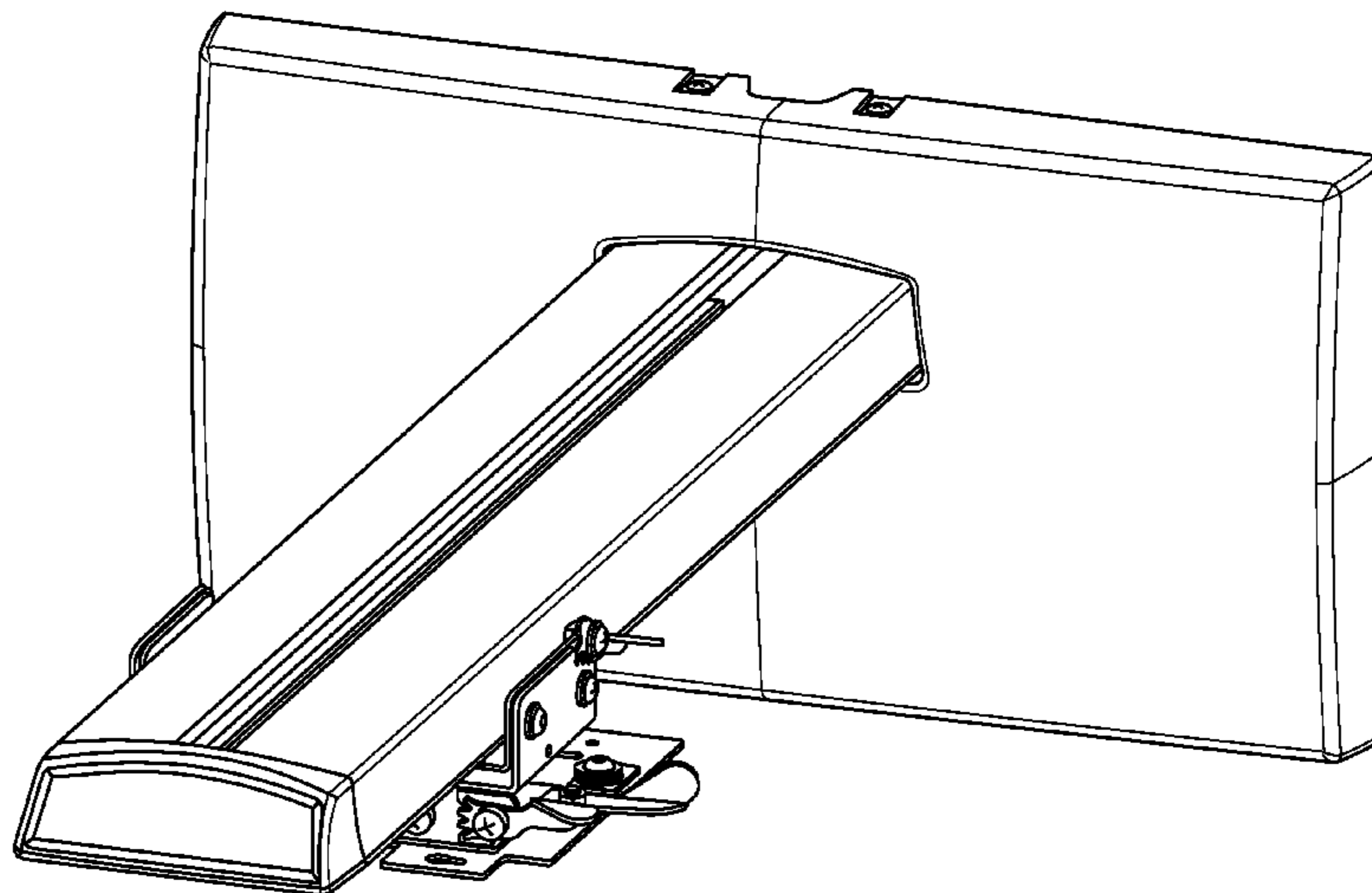
(57) **CLAIM**

The ornamental design for a short throw projector mount with micro-adjust feature, as shown and described.

**DESCRIPTION**

FIG. 1 is a front isometric view of a short throw projector mount with micro-adjust feature according to the invention; FIG. 2 is a front elevation view of the short throw projector mount with micro-adjust feature depicted in FIG. 1; FIG. 3 is a left-side elevation view of the short throw projector mount with micro-adjust feature depicted in FIG. 1; FIG. 4 is a right-side elevation view of the short throw projector mount with micro-adjust feature depicted in FIG. 1; FIG. 5 is a top plan view of the short throw projector mount with micro-adjust feature depicted in FIG. 1; and, FIG. 6 is a bottom plan view of the short throw projector mount with micro-adjust feature depicted in FIG. 1.

**1 Claim, 6 Drawing Sheets**



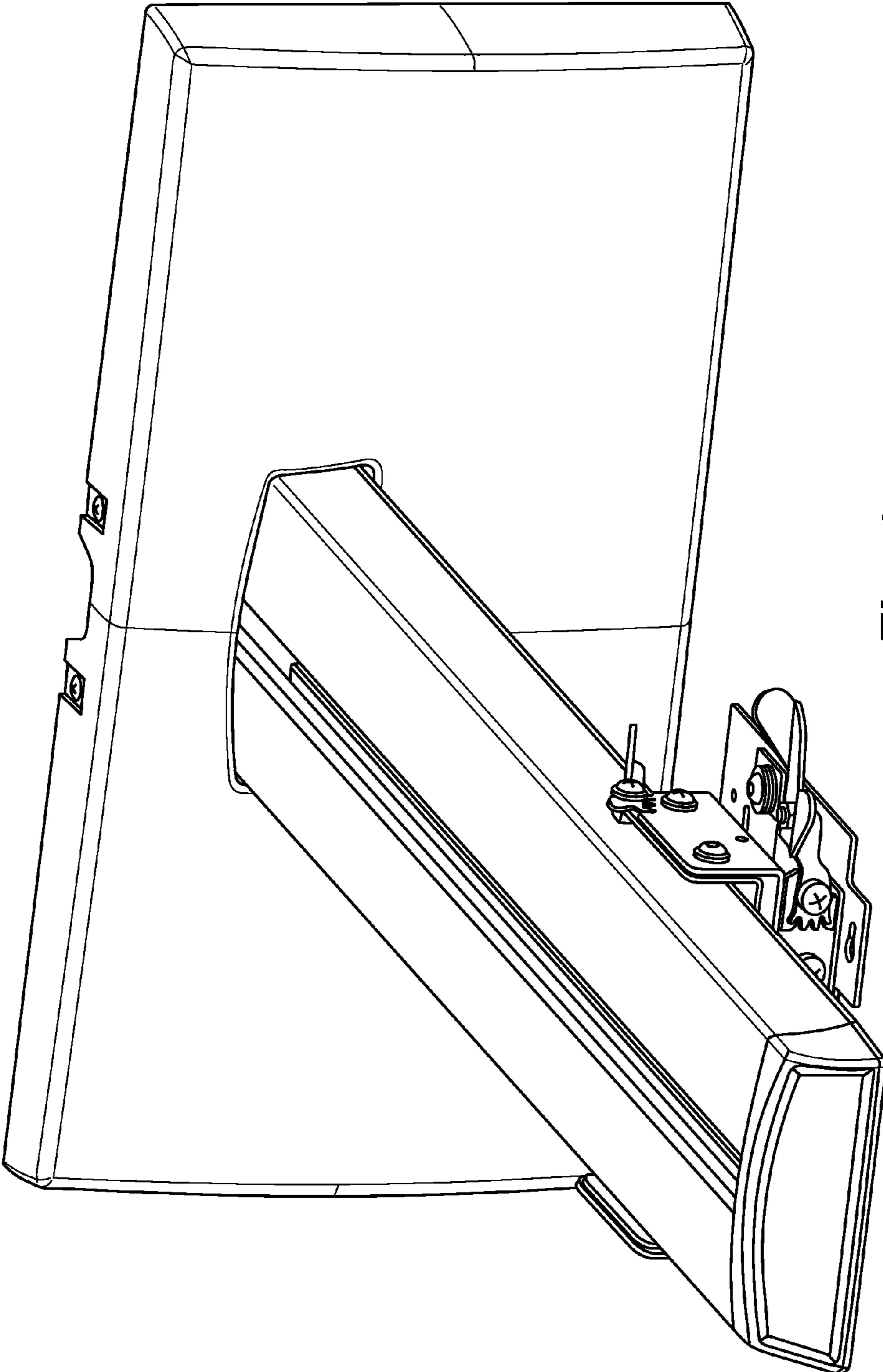
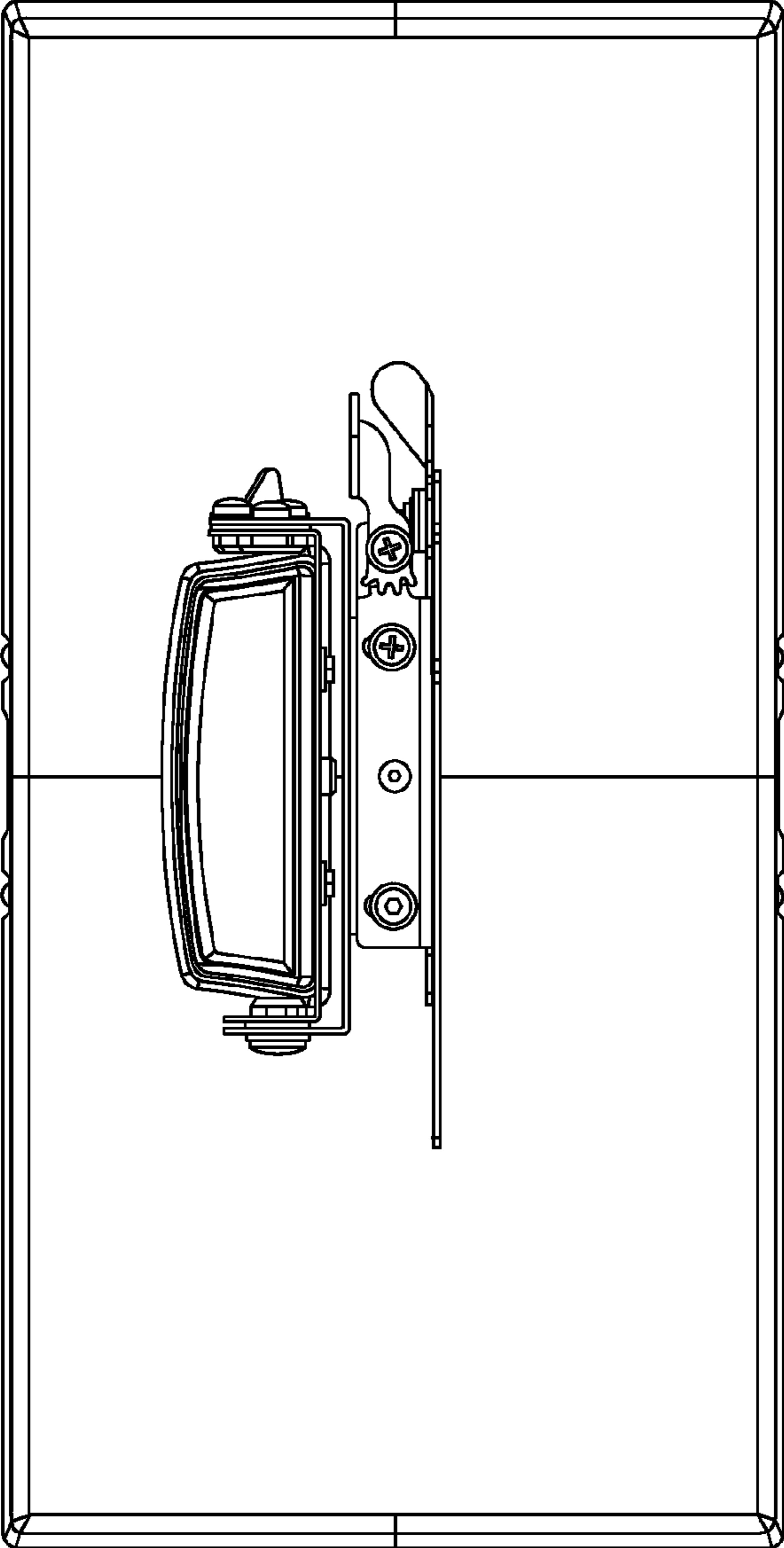
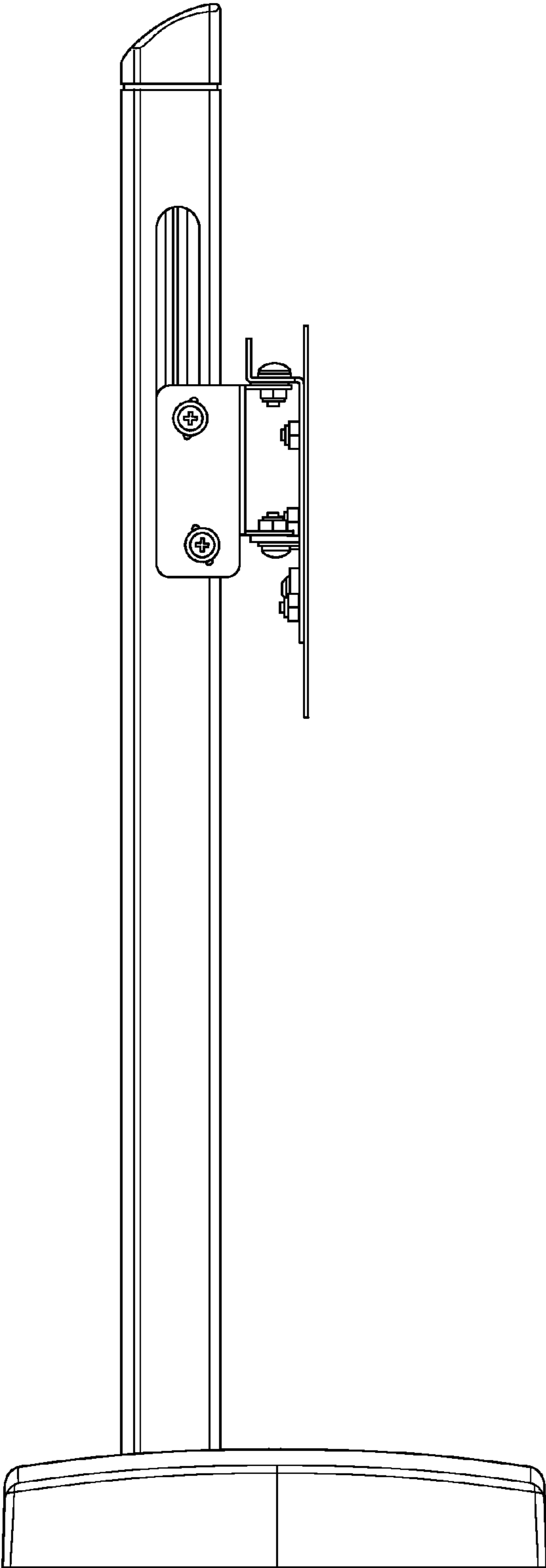


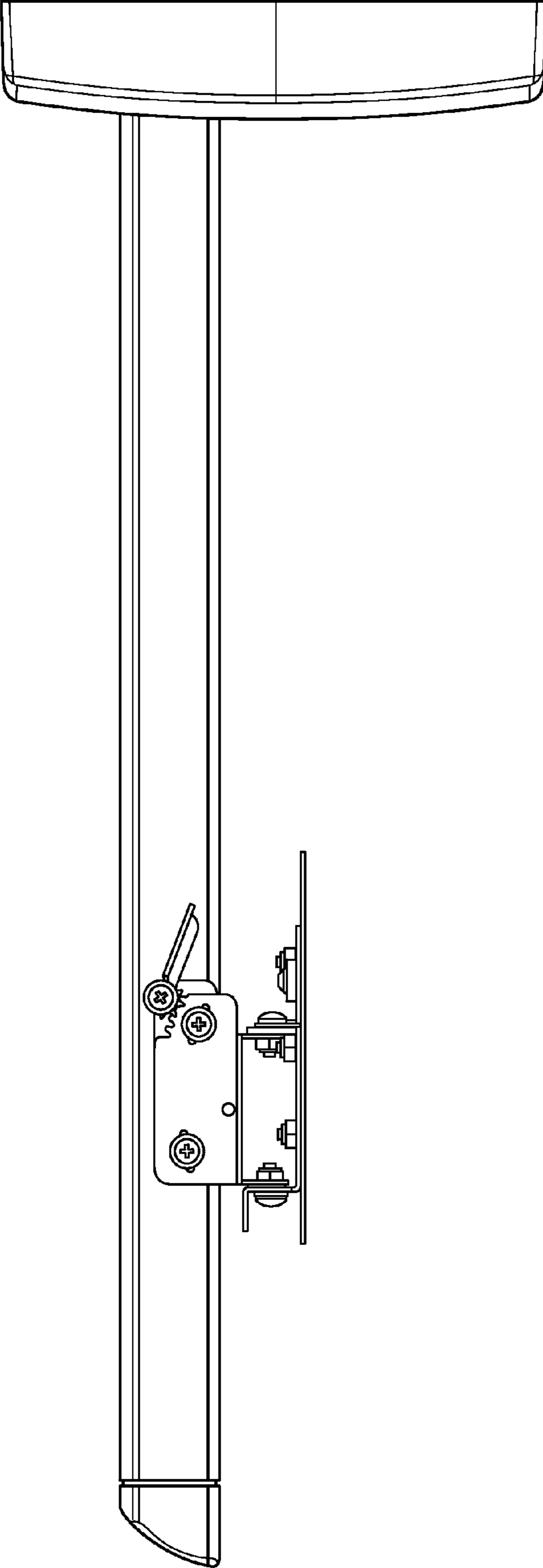
Fig. 1



*Fig. 2*



**Fig. 3**



**Fig. 4**

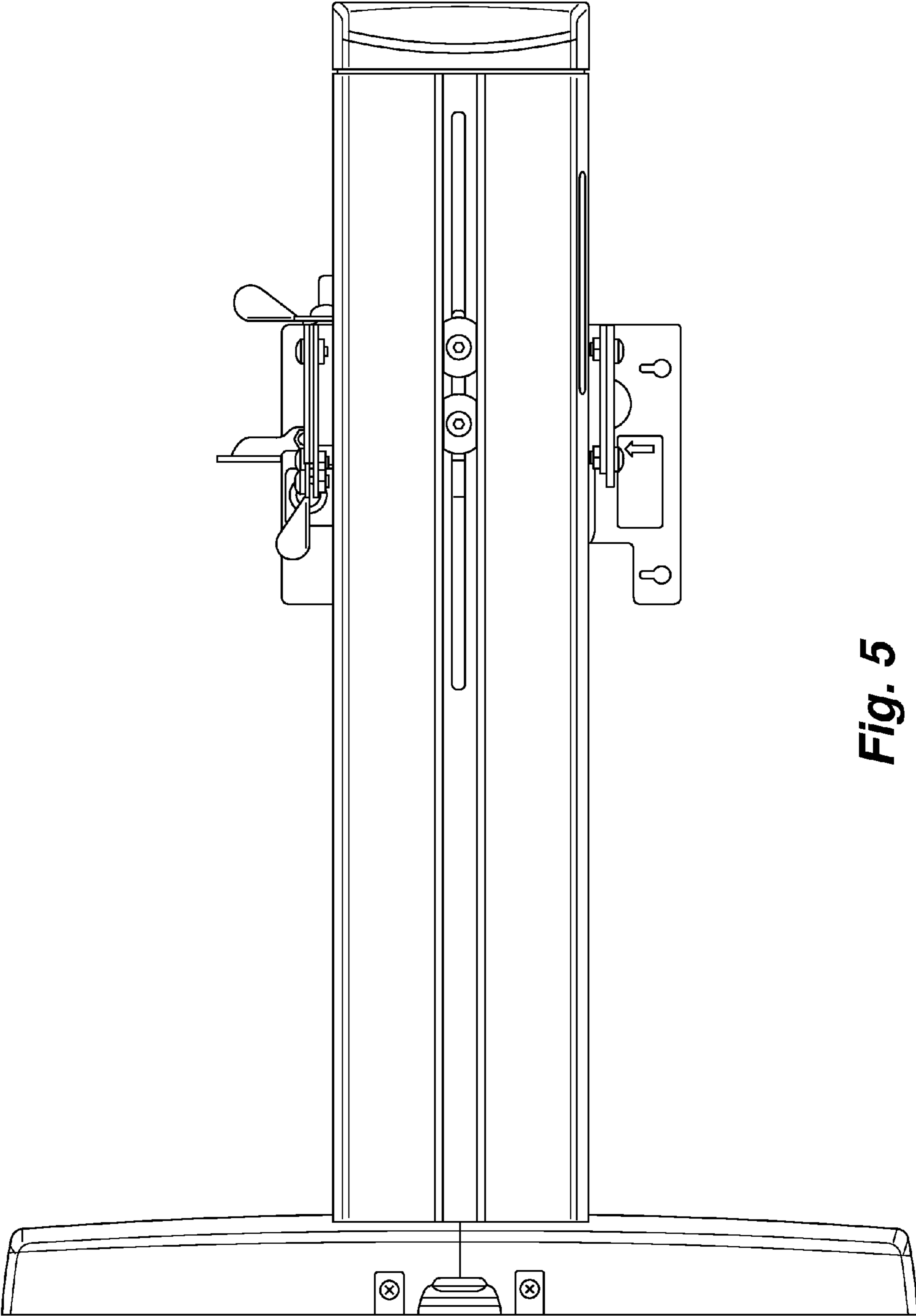
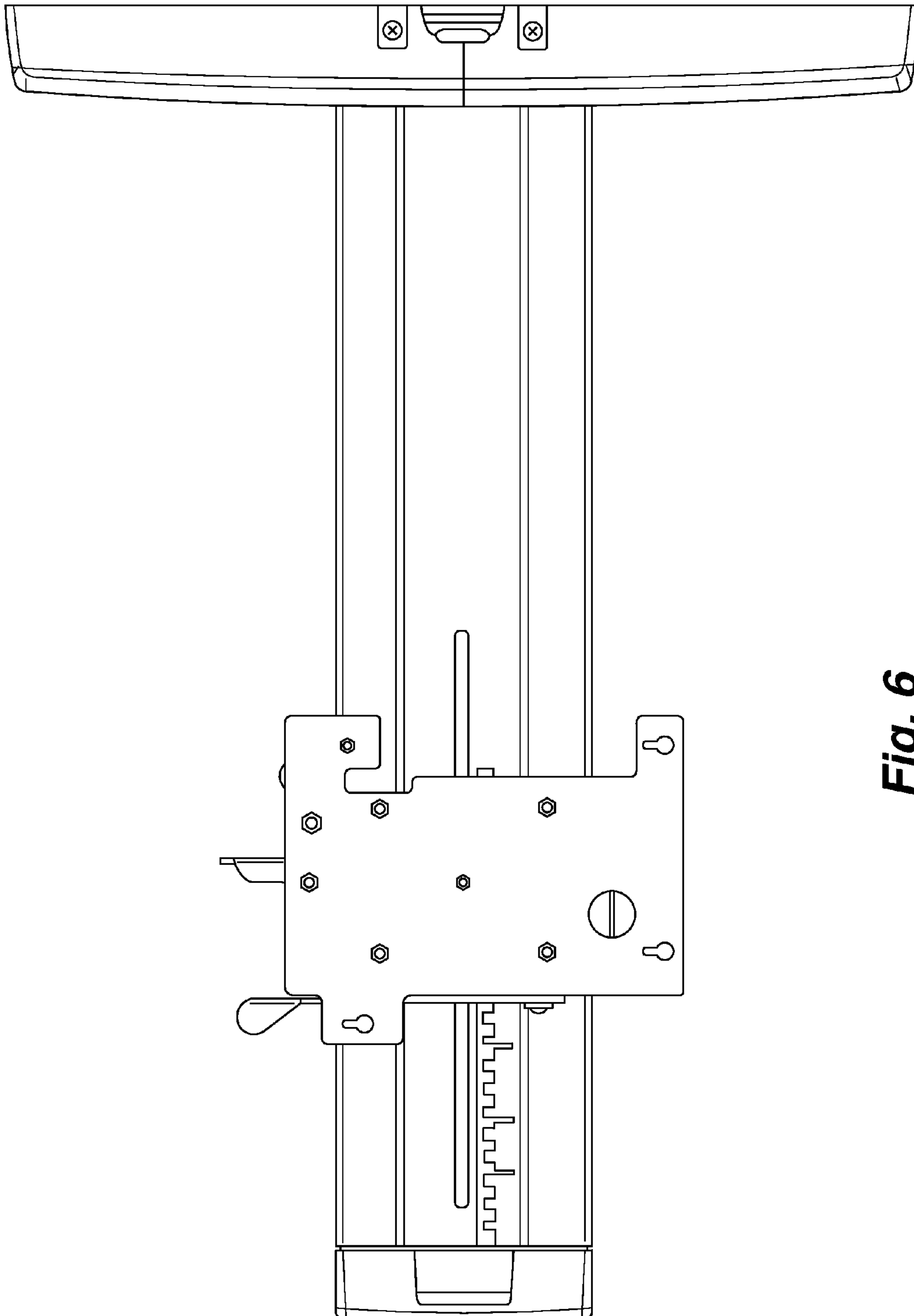


Fig. 5



**Fig. 6**