



US00D735174S

(12) **United States Design Patent**
Wengreen

(10) **Patent No.:** **US D735,174 S**
(45) **Date of Patent:** **** Jul. 28, 2015**

(54) **MOUNT FOR ELECTRONIC DEVICES**

(56) **References Cited**

(71) Applicant: **Innovelis, Inc.**, Sammamish, WA (US)

U.S. PATENT DOCUMENTS

(72) Inventor: **Eric John Wengreen**, Sammamish, WA (US)

1,618,573	A	2/1927	Cole
2,584,646	A	2/1952	Wagstaff
3,091,378	A	5/1963	O'Dwyer
3,176,950	A	4/1965	Hittesdorf
3,279,009	A	10/1966	Teasdale
3,294,298	A	12/1966	Danielson
3,477,679	A	11/1969	Lovitz

(73) Assignee: **Innovelis, Inc.**, Sammamish, WA (US)

(**) Term: **14 Years**

(Continued)

(21) Appl. No.: **29/502,125**

OTHER PUBLICATIONS

(22) Filed: **Sep. 11, 2014**

Out of Sight Bracket—Website Part 1 (downloaded on Nov. 13, 2013 from http://www.outofsightbracket.com/OutOfSightBracket/Out_of_Sight_Bracket_for_Apple_TV.html). The website says the Out of Sight Bracket is "Patent Pending." The Out of Sight Bracket might have been made by Gordon H. Beckhart.

Related U.S. Application Data

(Continued)

(63) Continuation of application No. 29/487,748, filed on Apr. 11, 2014, and a continuation of application No. 14/260,577, filed on Apr. 24, 2014, now Pat. No. 8,939,417.

Primary Examiner — Mark Goodwin

(51) **LOC (10) Cl.** **14-01**

(57) **CLAIM**

(52) **U.S. Cl.**

The ornamental design for a mount for electronic devices, as shown and described.

USPC **D14/238.1**; D14/238; D8/349

DESCRIPTION

(58) **Field of Classification Search**

USPC D8/380, 349, 381, 373, 354, 363, 355; D14/432, 434, 447, 357, 299, 496, D14/203.1–203.8, 238.1; 224/246, 250, 224/269, 901.4, 930, 669, 242; 248/127, 248/307, 309.1, 918; 348/836, 843, 373, 348/376, 825

FIG. 1 is a back, side, and bottom perspective view of a mount for electronic devices embodying the new design.

FIG. 2 is a bottom, back, and side perspective view thereof.

FIG. 3 is a front, top, and side perspective view thereof.

FIG. 4 is a back view thereof.

FIG. 5 is a front view thereof.

FIG. 6 is a first side view thereof, the second side view being a mirror image.

FIG. 7 is a top view thereof; and,

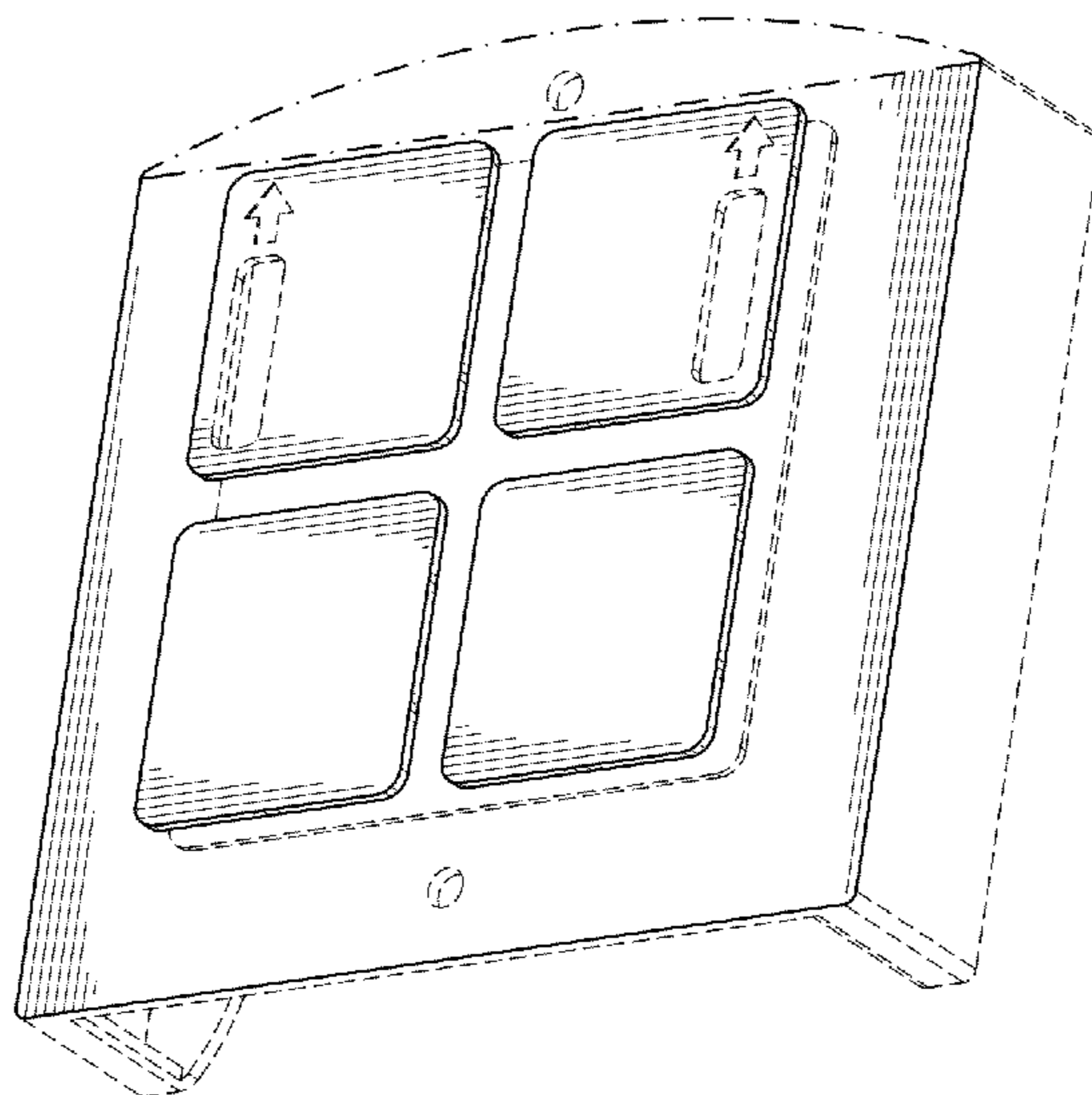
FIG. 8 is a bottom view thereof.

The dot-dash lines show an unclaimed portion of the back (e.g., as shown in FIG. 4). The dot-dash lines form no part of the claimed design. The other broken lines form no part of the claimed design.

CPC H05K 5/0204; H05K 7/14; F16M 13/02; H04N 5/655; H04N 5/64; G06F 1/1601; G06F 1/16; A45F 5/00; A45F 5/021; A45F 2200/0516; A45F 2200/0508; A45F 2200/0525

See application file for complete search history.

1 Claim, 4 Drawing Sheets



(56)

References Cited

U.S. PATENT DOCUMENTS

3,990,617 A 11/1976 Carter
 D242,766 S * 12/1976 Neece D8/354
 4,158,450 A * 6/1979 Suzuki 248/694
 4,467,244 A * 8/1984 Dickie 315/3
 4,519,656 A 5/1985 Raz
 4,602,761 A 7/1986 Carter
 4,697,780 A 10/1987 Wenkman
 4,746,042 A 5/1988 King
 4,771,927 A 9/1988 Ventura
 4,825,590 A 5/1989 Cullinane
 4,826,115 A 5/1989 Novitski
 4,840,773 A 6/1989 Wade
 4,852,843 A 8/1989 Chandler
 4,974,764 A 12/1990 Cantwell
 5,038,985 A 8/1991 Chapin
 5,092,395 A 3/1992 Amidzich
 5,227,582 A * 7/1993 Velasco et al. 174/372
 5,273,690 A 12/1993 McDowell
 5,297,318 A 3/1994 Adolphson
 D351,341 S 10/1994 Hung
 5,385,282 A * 1/1995 Chen 224/669
 5,400,990 A 3/1995 Frankel
 D359,616 S * 6/1995 Ishibashi et al. D3/218
 5,535,093 A 7/1996 Noguchi
 5,593,124 A 1/1997 Wang
 5,619,395 A 4/1997 McBride
 5,619,774 A 4/1997 Perry
 D388,107 S 12/1997 Huckins
 5,850,998 A 12/1998 Parsey
 D409,079 S * 5/1999 Sobczynski D8/354
 5,899,371 A 5/1999 Weliver
 5,914,707 A 6/1999 Kono
 5,961,083 A 10/1999 Hartman
 5,979,724 A 11/1999 Loewenthal
 6,102,660 A 8/2000 Lee
 6,105,923 A 8/2000 Robertson
 6,193,546 B1 * 2/2001 Sadler 439/534
 D443,493 S 6/2001 Skeem
 6,275,885 B1 8/2001 Chin
 6,336,615 B1 1/2002 Jeon
 D456,413 S 4/2002 Malson
 6,485,144 B1 11/2002 Liao
 6,554,527 B1 * 4/2003 O'Donnell et al. 403/353
 6,560,983 B1 5/2003 Schimmeyer
 6,691,374 B2 2/2004 Coyne
 6,888,940 B1 5/2005 Deppen
 D508,605 S * 8/2005 Hwang et al. D3/218
 6,939,641 B2 9/2005 Kincaid
 7,047,601 B1 5/2006 Vernon-Woods
 7,079,384 B2 7/2006 Wang
 7,113,218 B2 9/2006 Battles
 D529,713 S * 10/2006 Guyot et al. D3/218
 7,145,603 B2 12/2006 Whitby
 D535,826 S 1/2007 Toghianian
 D536,239 S * 2/2007 Tallman D8/354
 7,222,762 B2 5/2007 Rees
 D545,343 S 6/2007 Braun
 D560,411 S 1/2008 Chung
 D565,399 S 4/2008 Grey
 7,367,089 B2 5/2008 Cooke
 D570,801 S 6/2008 Allen
 D598,945 S 8/2009 Gillespie
 7,580,255 B2 8/2009 Crooijmans
 D609,030 S * 2/2010 Barabas et al. D14/238
 D624,949 S 10/2010 Nakayama
 D625,729 S 10/2010 McNames
 D628,611 S 12/2010 Lewis
 7,854,420 B2 12/2010 Depay
 D633,503 S 3/2011 Bo
 7,959,121 B1 6/2011 Barnes
 7,980,435 B2 * 7/2011 Tages 224/269
 D657,362 S 4/2012 Lister
 D662,491 S 6/2012 Andre
 D667,411 S 9/2012 Kim
 8,544,805 B2 10/2013 Virgin

2005/0023419 A1 * 2/2005 Frankel 248/206.3
 2005/0236541 A1 10/2005 Chang
 2007/0097617 A1 * 5/2007 Searby et al. 361/686
 2007/0235609 A1 * 10/2007 Chun et al. 248/231.9
 2007/0264169 A1 11/2007 Chen
 2008/0078793 A1 4/2008 Brown
 2009/0218454 A1 9/2009 Stanley
 2010/0288895 A1 11/2010 Shamie
 2010/0314277 A1 12/2010 Murray
 2012/0126081 A1 5/2012 Wengreen
 2012/0127379 A1 5/2012 Wengreen
 2012/0312950 A1 * 12/2012 Sears 248/316.5

OTHER PUBLICATIONS

Out of Sight Bracket—Website Part 2 (downloaded on Nov. 13, 2013 from http://www.outofsightbracket.com/OutOfSightBracket/How_to_mount_your_Apple_TV_or_AirPort_Express.html). The website says the Out of Sight Bracket is “Patent Pending.” The Out of Sight Bracket might have been made by Gordon H. Beckhart.
 Out of Sight Bracket—Website Part 3 (downloaded on Nov. 13, 2013 from <http://www.soundandvision.com/content/bracket-keeps-apple-airport-express-and-apple-tv-out-sight>).
 TV Tray—Website (downloaded on Nov. 13, 2013 from <http://h-sq.com/products/tvtray/>).
 TV Tray—Installation Guide (downloaded on Nov. 13, 2013 from http://www.h-sq.com/downloads/tvtx_ug.pdf).
 Cosmos Tray—Website (downloaded on Nov. 13, 2013 from http://www.amazon.com/Cosmos-MD199LL-AirPort-Express-Station/dp/B00C2JNGB2/ref=sr_1_4?ie=UTF8&qid=1384406376&sr=8-4&keywords=apple+tv+mount).
 CTA Digital—Website (downloaded on Nov. 13, 2013 from <http://www.ctadigital.com/downloads/KIN-WMC-final.pdf>).
 PDP Mounting Clip—Part 1 (downloaded on Nov. 13, 2013 from <http://www.amazon.com/Kinect-Sensor-TV-Mounting-Clip-Xbox/dp/B004XV6ST4>).
 PDP Mounting Clip—Part 2 (downloaded on Nov. 13, 2013 from http://www.microsoftstore.com/store/msusa/en_US/pdp/Kinect-Sensor-TV-Mounting-Clip/productID.253726200).
 PDP Mounting Clip—Part 3 (downloaded on Nov. 13, 2013 from <http://www.bestbuy.com/site/pdp-sensor-mounting-clip-for-kinect/3521258.p?id=1218408957863&skuId=3521258>).
 ScreenDeck (downloaded on Nov. 13, 2013 from http://news.cnet.com/8301-17938_105-20071226-1/screendeck-adds-top-shelf-to-your-flat-panel-tv/).
 Center Stage Bracket—Part 1 (downloaded on Nov. 13, 2013 from <http://www.bestbuy.com/site/center-stage-bracket-satellite-center-channel-speaker-shelf-bracket-black/5857191.p?id=1218697292805&skuId=5857191>).
 Center Stage Bracket—Part 2 (downloaded on Nov. 13, 2013 from <http://www.bestbuy.com/site/center-stage-bracket-satellite-center-channel-speaker-shelf-bracket-black/5857191.p?id=1218697292805&skuId=5857191>).
 DreamGear TriMount (downloaded on Nov. 14, 2013 from <http://www.dreamgear.net/shop-by-platform/universal/trimount.html>).
 Cisco router wall mounting instructions (downloaded on Jan. 2, 2014 from <http://www.cisco.com/en/US/docs/routers/access/1800/1841/hardware/installation/guide/18inst.pdf>).
 Cisco wall mounting bracket (downloaded on Jan. 2, 2014 from <http://www.cisco.com/en/US/docs/routers/access/800/806/hardware/installation/guide/install.pdf>).
 Netgear ProSafe (downloaded on Jan. 2, 2014 from http://www.storagereview.com/netgear_prosafe_wndap660_dualband_wireless_access_point_review) article includes a date of Dec. 21, 2012.
 Wireless router picture (downloaded on Jan. 2, 2014 from <http://www.techwarelabs.com/wp-content/gallery/engeniuss-esr9850-wireless-router/router-bottom.jpg>).
 Apple TV, downloaded on Feb. 3, 2014 from <http://www.apple.com/appletv/what-is/>.
 Roku media players—Part 1, downloaded on Feb. 3, 2014 from <http://www.roku.com/products/roku-2>.
 Roku media players—Part 2, downloaded on Feb. 3, 2014 from <http://www.roku.com/products/compare>.

(56)

References Cited

OTHER PUBLICATIONS

Innovelis, Inc. Product—TotalMount—Apple TV Mounting Kit, downloaded from Amazon.com on Feb. 3, 2014, first available on Amazon.com on Jun. 22, 2011: http://www.amazon.com/TotalMount-Apple-Universal-Mounting-Kit/dp/B0057CVH6W/ref=sr_1_1?ie=UTF8&qid=1391473446&sr=8-1&keywords=TOTALMOUNT.

Innovelis, Inc. Product—TotalMount—Roku Mounting Kit, downloaded from Amazon.com on Feb. 3, 2014, first available on Amazon.com on Jun. 14, 2012: http://www.amazon.com/TotalMount-ROKU-UNIVERSAL-MOUNTING-Compatible/dp/B008B1125W/ref=sr_1_2?ie=UTF8&qid=1391473922&sr=8-2&keywords=totalmount.

Innovelis, Inc. Product—TotalMount—Remote Holder, downloaded from Amazon.com on Feb. 3, 2014, first available on Amazon.com on Jul. 2, 2013: http://www.amazon.com/Apple-TV-Remote-Holder-TotalMount/dp/B00DR76YJO/ref=sr_1_3?ie=UTF8&qid=1391474218&sr=8-3&keywords=totalmount.

Innovelis, Inc. Product—TotalMount—AirPort Express Mounting Kit, downloaded from Amazon.com on Feb. 3, 2014, first available on Amazon.com in approximately Sep. 2012: http://www.amazon.com/TotalMount-AirPort-Express-Mounting-Kit/dp/B009HC7BL8/ref=sr_1_4?ie=UTF8&qid=1391474218&sr=8-4&keywords=totalmount.

Innovelis, Inc. Product—TotalMount—Roku Mounting Kit (Version 1), downloaded from Amazon.com on Feb. 3, 2014, first available on Amazon.com on Jan. 19, 2012: http://www.amazon.com/TotalMount-ROKU-MOUNTING-Compatible-Roku/dp/B006ZS4R46/ref=sr_1_5?ie=UTF8&qid=1391474218&sr=8-5&keywords=totalmount.

Innovelis, Inc. Product—TotalMount—AirPort Extreme Mounting Kit, downloaded from Amazon.com on Feb. 3, 2014, first available on Amazon.com in approximately Apr. 2013: http://www.amazon.com/TotalMount-Compatible-generations-compatible-generation/dp/B00CK2CDLK/ref=sr_1_7?ie=UTF8&qid=1391474218&sr=8-7&keywords=totalmount.

Innovelis, Inc. Product—TotalMount—Vizio Mounting Kit, downloaded from Amazon.com on Feb. 3, 2014, first available on Amazon.com in approximately May 2013: http://www.amazon.com/TotalMount-VIZIO-Co-Star-Mounting-Kit/dp/B00GDMXSZ8/ref=sr_1_10?ie=UTF8&qid=1391474218&sr=8-10&keywords=totalmount.

Amazon Fire TV, downloaded on Jun. 2, 2014 from <http://www.amazon.com/Fire-TV-streaming-media-player/dp/B00CX5P8FC>.

Logitech HD Pro Webcam C910, downloaded on Oct. 9, 2014 from http://www.amazon.com/Logitech-Webcam-C910-1080p-Video/dp/B003M2YT96/ref=sr_1_6?ie=UTF8&qid=1287528024&sr=8-6.

HP KQ246AA 8.0 MP Deluxe Webcam, downloaded on Oct. 9, 2014 from http://www.amazon.com/HP-KQ246AA-8-0-Deluxe-Webcam/dp/B001D8AGA2/ref=sr_1_4?ie=UTF8&qid=1410543707&sr=8-4&keywords=hp+webcam.

Logitech Webcam C200, downloaded on Oct. 9, 2014 from http://www.amazon.com/Logitech-960-000415-Webcam-C200/dp/B002GP7ZTQ/ref=pd_cp_pc_0.

USB 6 LED PC Webcam, downloaded on Oct. 9, 2014 from http://www.amazon.com/Webcam-Camera-Night-Vision-Meeting/dp/B00MTGV4F8/ref=sr_1_88?s=electronics&ie=UTF8&qid=1410543946&sr=1-88&keywords=webcam+clamp.

* cited by examiner

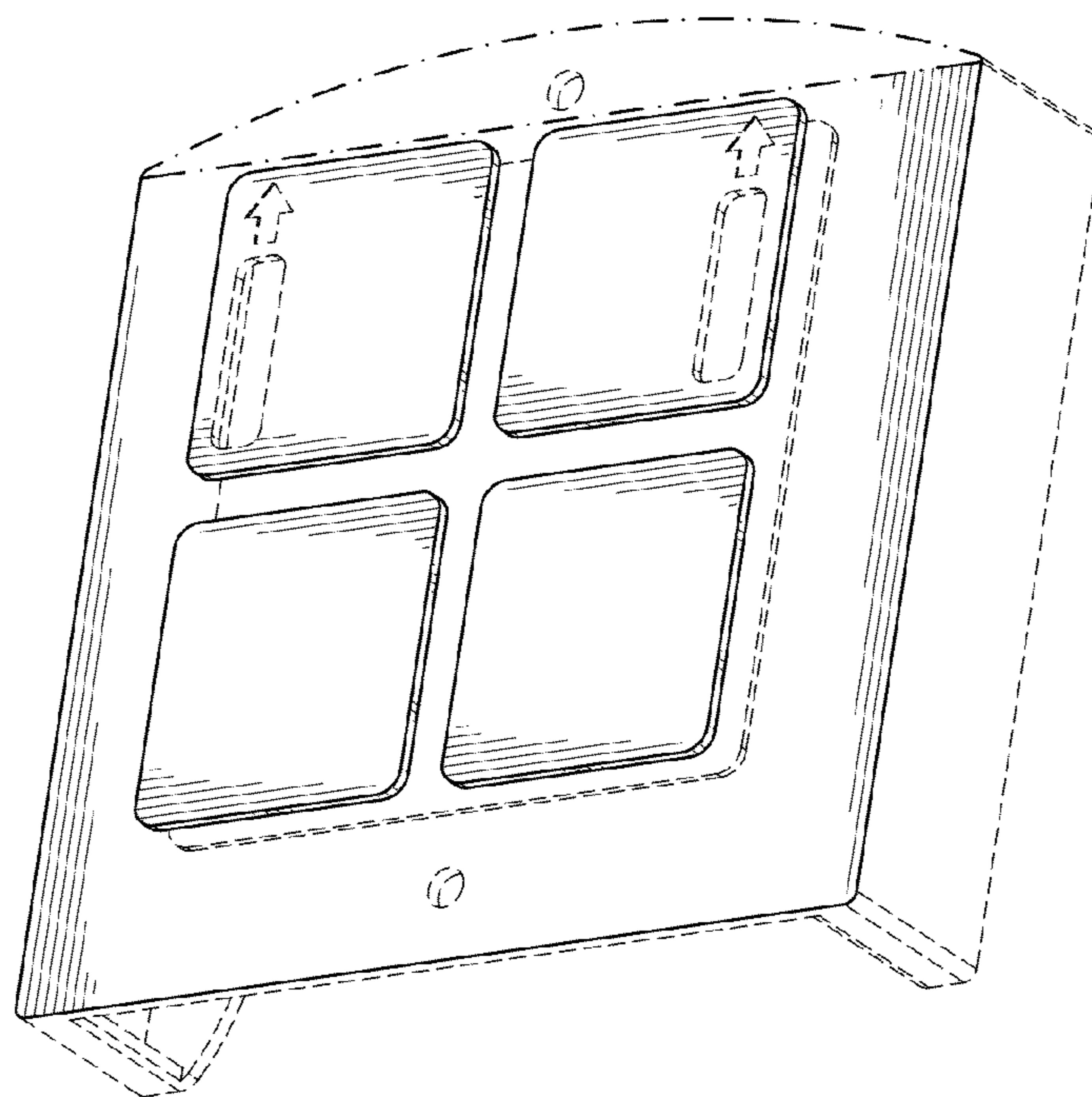


FIG. 1

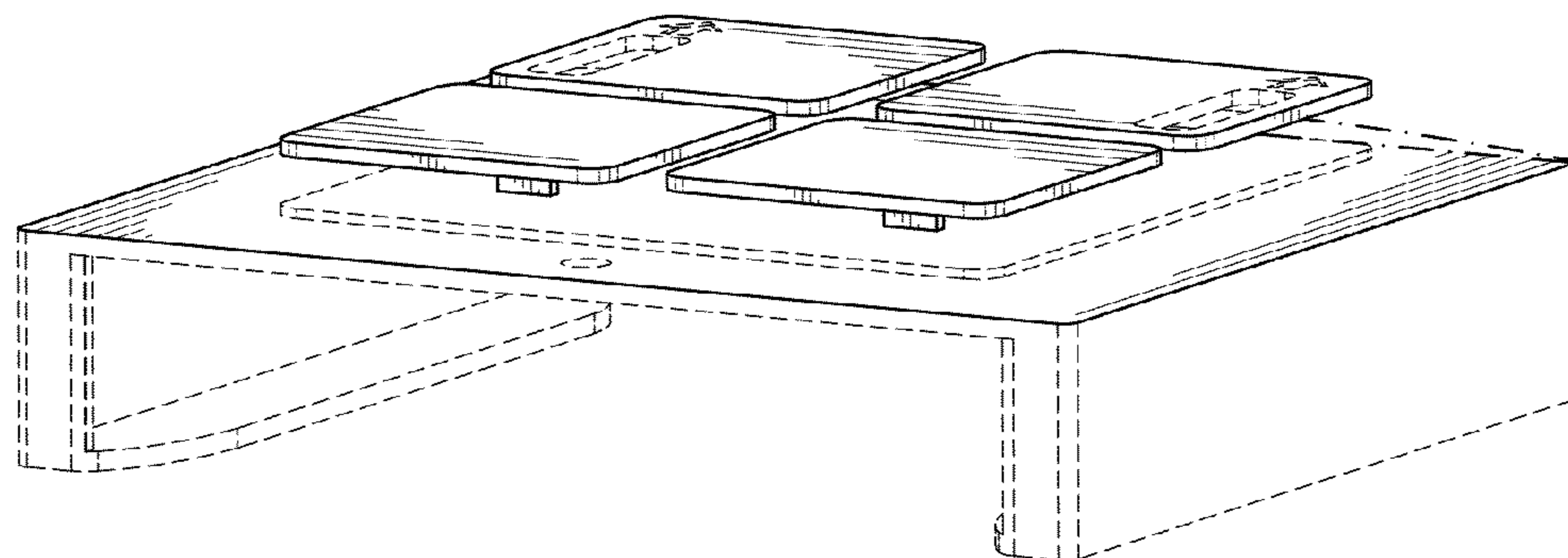


FIG. 2

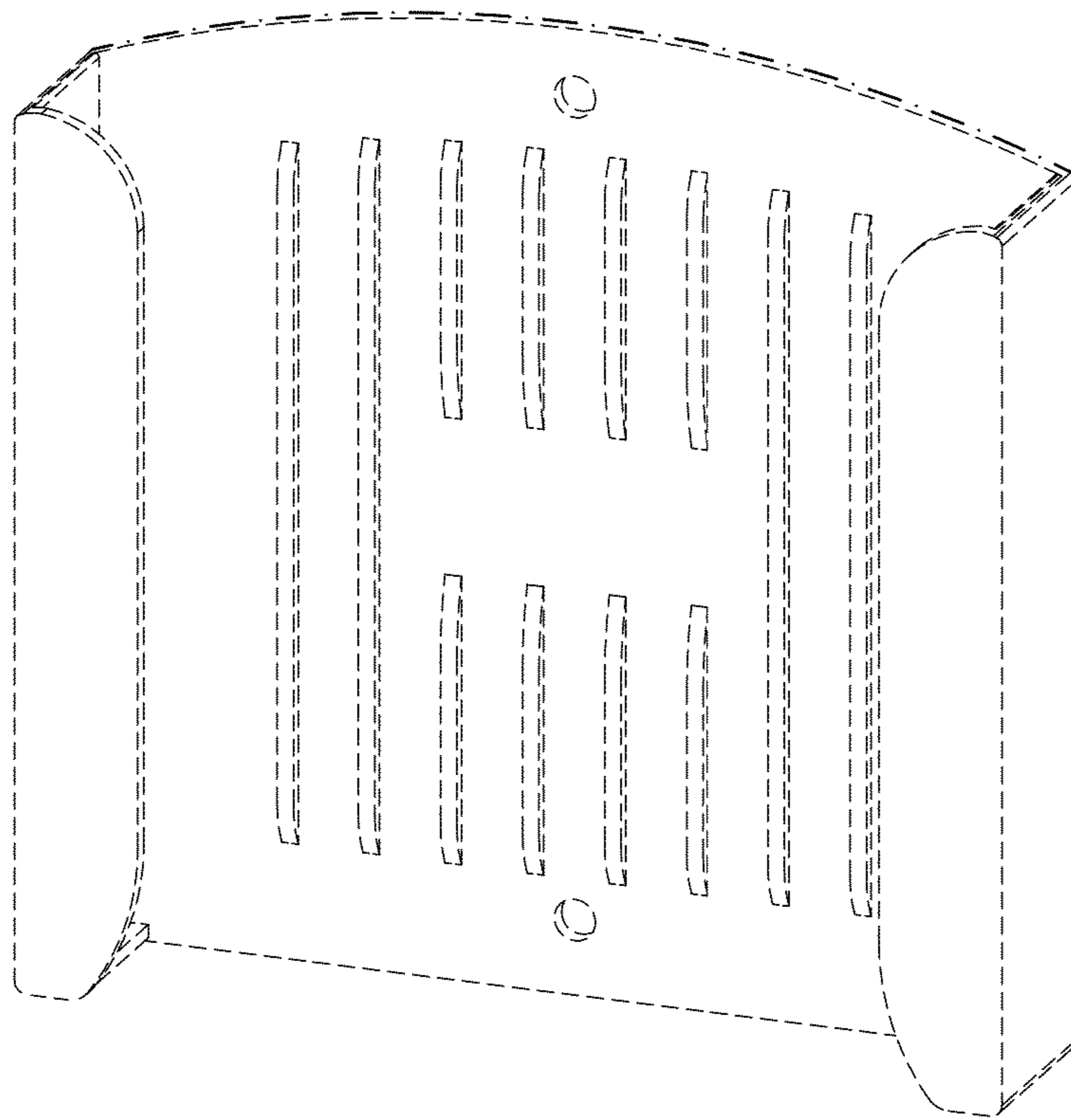


FIG. 3

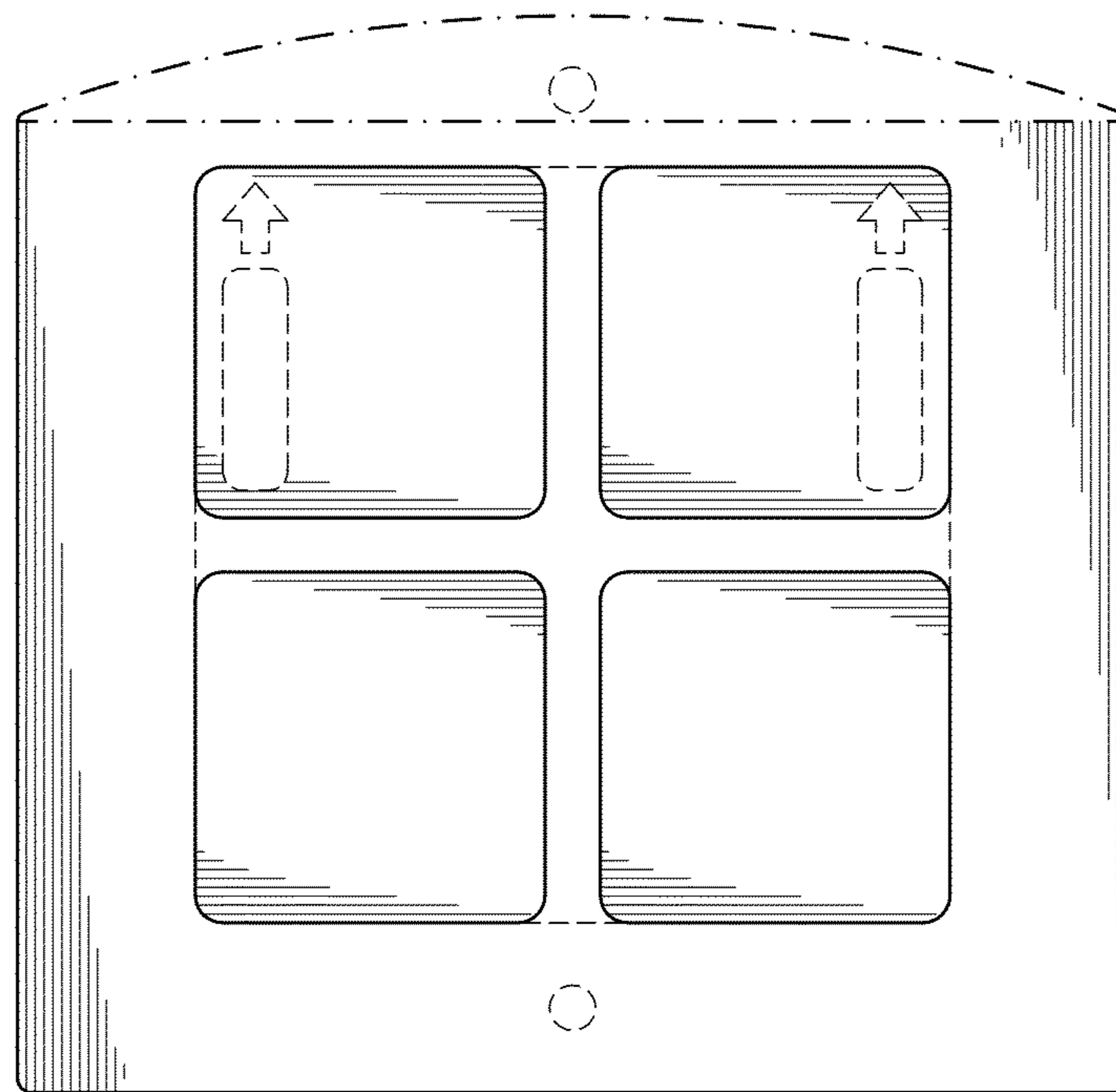


FIG. 4

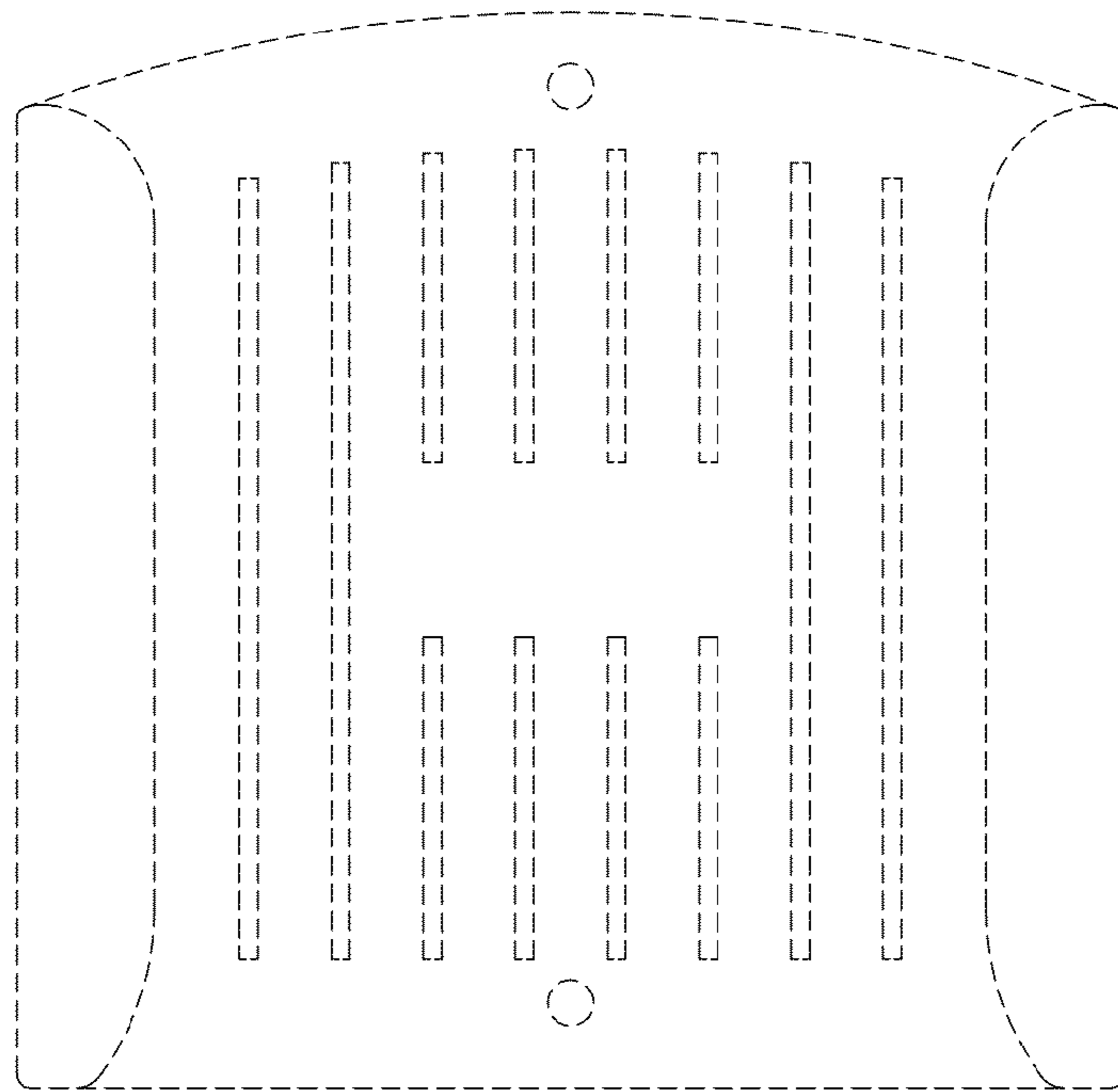


FIG. 5

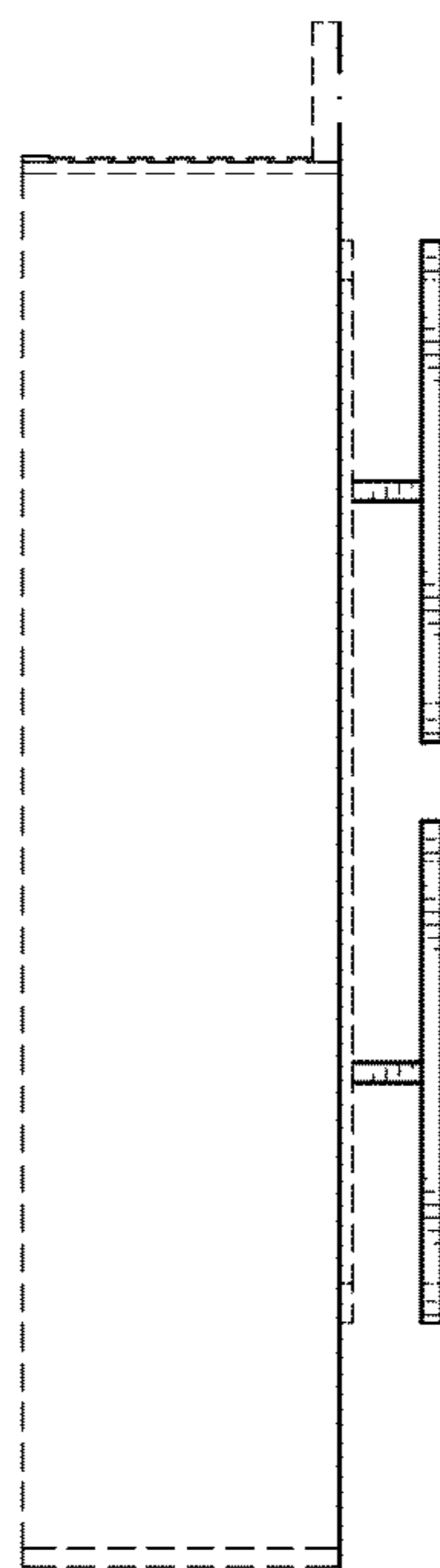


FIG. 6

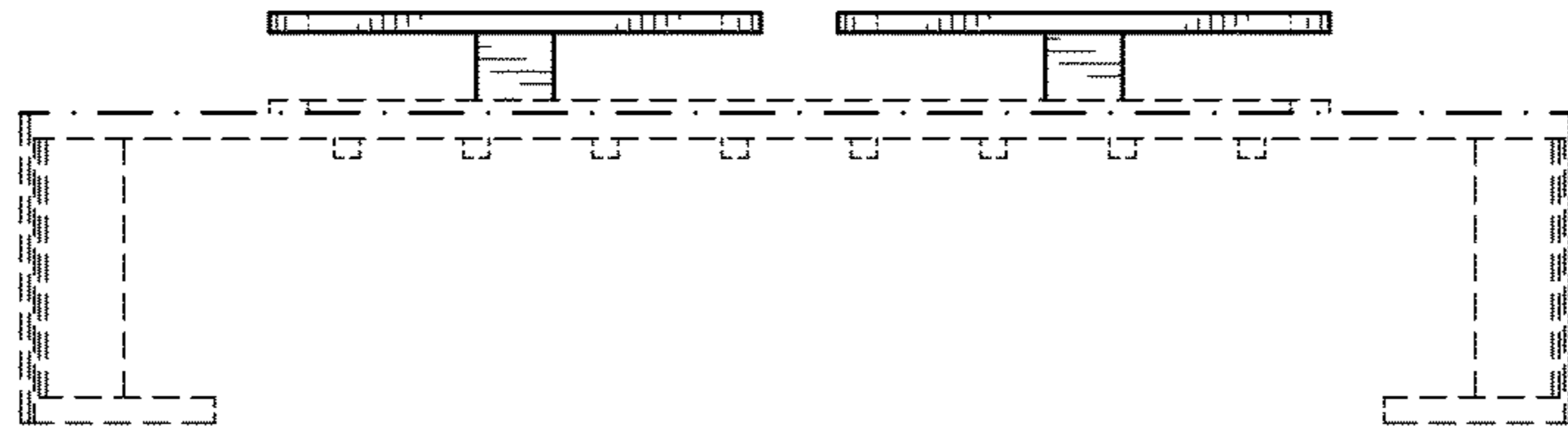


FIG. 7



FIG. 8