



US00D735173S

(12) **United States Design Patent**  
**Gosalia et al.**

(10) **Patent No.:** **US D735,173 S**  
(45) **Date of Patent:** **\*\* Jul. 28, 2015**

(54) **ANTENNA**  
(71) Applicant: **Airgain, Inc.**, Carlsbad, CA (US)  
(72) Inventors: **Keyoor Gosalia**, Carlsbad, CA (US); **Bei Zheng**, Zhang Jia Gang (CN)

D606,053 S 12/2009 Wu et al.  
D607,442 S 1/2010 Su et al.  
D608,769 S 1/2010 Bufe  
D612,368 S 3/2010 Yang et al.  
7,705,783 B2 4/2010 Rao et al.  
D621,819 S 8/2010 Tsai et al.

(Continued)

(73) Assignee: **Airgain, Inc.**, San Diego, CA (US)

(\*\*) Term: **14 Years**

(21) Appl. No.: **29/472,335**

(22) Filed: **Nov. 11, 2013**

(51) **LOC (10) Cl.** ..... **14-03**

(52) **U.S. Cl.**  
USPC ..... **D14/230**

(58) **Field of Classification Search**  
USPC ..... D14/230–238, 299, 358;  
343/700 R–705, 711–713, 871–908;  
455/90.2–90.3; 333/193  
CPC ..... H01Q 7/00; H01Q 13/10; H01Q 9/285;  
H01Q 19/30; H01Q 19/12; H01Q 1/38;  
H04B 1/0475; H04B 1/034; H05K 11/00  
See application file for complete search history.

(56) **References Cited**

**U.S. PATENT DOCUMENTS**

D492,672 S \* 7/2004 Hung et al. .... D14/230  
7,061,437 B2 6/2006 Lin et al.  
7,148,849 B2 12/2006 Lin  
D546,821 S 7/2007 Oliver  
D549,696 S 8/2007 Oshima et al.  
7,333,067 B2 2/2008 Hung et al.  
D573,589 S 7/2008 Montgomery et al.  
7,405,704 B1 7/2008 Lin et al.  
7,432,859 B2 \* 10/2008 Zinanti et al. .... 343/700 MS  
7,477,195 B2 1/2009 Vance  
D589,035 S \* 3/2009 Hellgren ..... D14/230  
D592,195 S 5/2009 Wu et al.  
D599,334 S 9/2009 Chiang

**FOREIGN PATENT DOCUMENTS**

JP D1152020 \* 9/2002  
JP D1239259 \* 5/2005  
KR 300552847.0000 \* 2/2010

**OTHER PUBLICATIONS**

2j-antennae.com, website copyright 2015, online, site visited May 26, 2015, [http://www.2j-antennae.com/products/antennas/2j0310pcb/228.\\*](http://www.2j-antennae.com/products/antennas/2j0310pcb/228.*)

(Continued)

*Primary Examiner* — John Windmuller  
*Assistant Examiner* — John R Yeh  
(74) *Attorney, Agent, or Firm* — Clause Eight IPS; Michael Catania

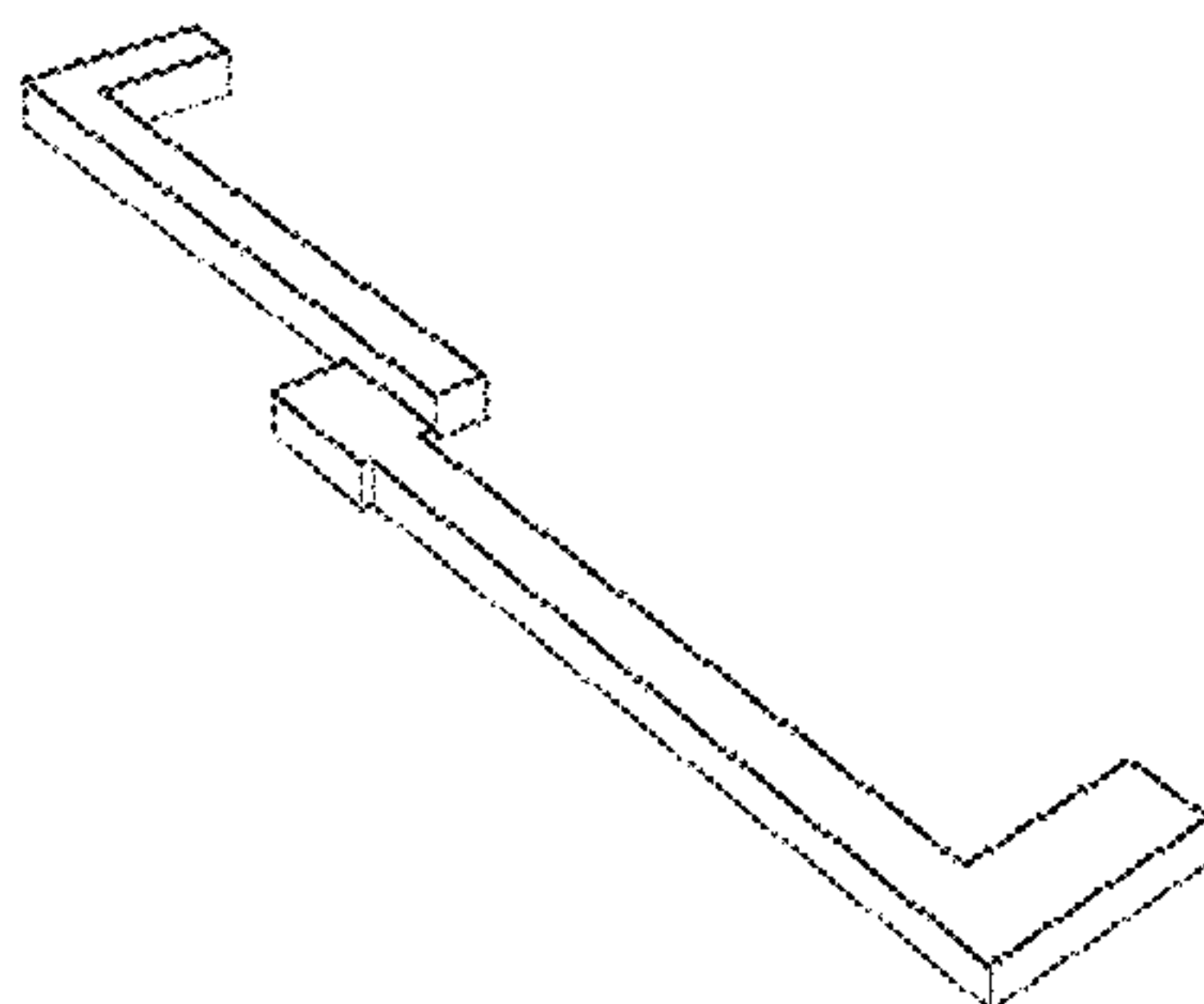
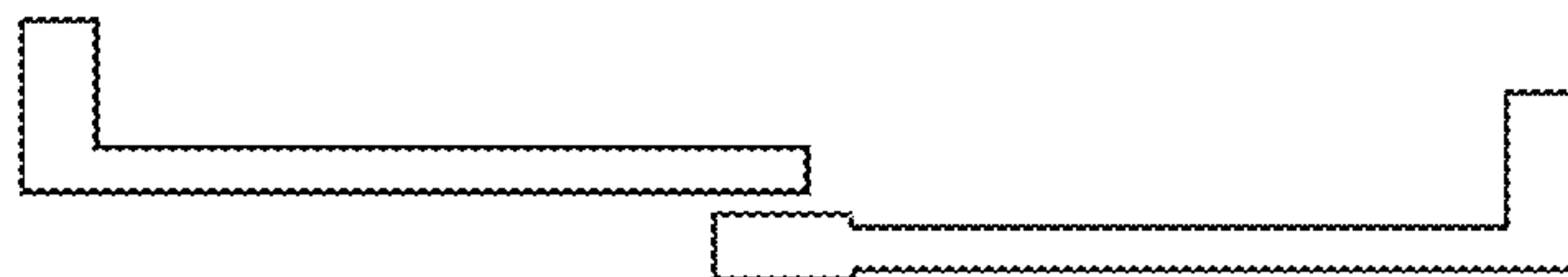
(57) **CLAIM**

The ornamental design for an antenna, as shown and described.

**DESCRIPTION**

FIG. 1 is a front plan view of an antenna.  
FIG. 2 is a top plan view of the antenna of FIG. 1.  
FIG. 3 is a bottom plan view of the antenna of FIG. 1.  
FIG. 4 is a top perspective view of the antenna of FIG. 1; and,  
FIG. 5 is a front plan view of an antenna within a cover in broken lines.  
The broken lines are for illustration purposes only and form no part of the claimed invention.

**1 Claim, 2 Drawing Sheets**



(56)

References Cited

U.S. PATENT DOCUMENTS

7,843,390 B2 11/2010 Liu  
 D633,483 S 3/2011 Su et al.  
 D633,900 S \* 3/2011 Tsai et al. .... D14/230  
 D635,127 S 3/2011 Tsai et al.  
 D635,560 S 4/2011 Tsai et al.  
 D635,963 S 4/2011 Podduturi  
 D635,964 S 4/2011 Podduturi  
 D635,965 S 4/2011 Mi et al.  
 D636,382 S \* 4/2011 Podduturi ..... D14/230  
 D649,961 S \* 12/2011 Huang et al. .... D14/230  
 D649,962 S 12/2011 Tseng et al.  
 D651,198 S 12/2011 Mi et al.  
 D654,059 S 2/2012 Mi et al.  
 D654,060 S 2/2012 Ko et al.  
 D658,639 S 5/2012 Huang et al.  
 D659,129 S 5/2012 Mi et al.  
 D659,685 S 5/2012 Huang et al.  
 D659,688 S 5/2012 Huang et al.  
 D662,916 S 7/2012 Huang et al.  
 D671,097 S 11/2012 Mi et al.  
 D676,429 S 2/2013 Gosalia et al.  
 D678,255 S 3/2013 Ko et al.  
 D684,565 S 6/2013 Wei  
 D685,772 S 7/2013 Zheng et al.  
 D686,600 S \* 7/2013 Yang ..... D14/230  
 D689,474 S \* 9/2013 Yang et al. .... D14/230  
 D709,053 S \* 7/2014 Chang et al. .... D14/230  
 D710,339 S \* 8/2014 Bishop et al. .... D14/230  
 D710,833 S \* 8/2014 Zheng et al. .... D14/230  
 8,810,467 B2 \* 8/2014 Lee et al. .... 343/817  
 2002/0003499 A1 1/2002 Kouam et al.

2003/0231139 A1 \* 12/2003 Tai et al. .... 343/795  
 2004/0183728 A1 \* 9/2004 Zinanti et al. .... 343/700 MS  
 2004/0222936 A1 11/2004 Hung et al.  
 2005/0073462 A1 4/2005 Lin et al.  
 2005/0190108 A1 9/2005 Lin et al.  
 2006/0208900 A1 9/2006 Tavassoli Hozouri  
 2007/0030203 A1 2/2007 Tsai et al.  
 2008/0079639 A1 \* 4/2008 Jen-Huan ..... 343/702  
 2008/0143630 A1 \* 6/2008 Kato et al. .... 343/795  
 2008/0150829 A1 6/2008 Lin et al.  
 2009/0002244 A1 1/2009 Woo  
 2009/0058739 A1 3/2009 Konishi  
 2009/0135072 A1 5/2009 Ke et al.  
 2009/0262028 A1 10/2009 Mumbru et al.  
 2010/0188297 A1 7/2010 Chen et al.  
 2010/0309067 A1 12/2010 Tsou et al.  
 2011/0006950 A1 1/2011 Park et al.  
 2012/0038514 A1 2/2012 Bang  
 2012/0229348 A1 9/2012 Chiang  
 2012/0242546 A1 9/2012 Hu et al.  
 2012/0268338 A1 \* 10/2012 Yoo et al. .... 343/803

OTHER PUBLICATIONS

Fujikura Ltd. | R&D | Research Fields | Electronic materials and components, website copyright 2007, online, site visited May 26, 2015, <http://www.fujikura.co.jp/eng/rd/field/ec.html>.  
 WLAN M2410DCM Ultra Embedded Antennas, website copyright 2015, online, site visited May 26, 2015, <http://www.airgain.com/products/ultra-embedded-antennas>.  
 N2420DM Profile Embedded Antennas—Airgain, website copyright 2015, online, site visited May 26, 2015, <http://www.airgain.com/products/profile-embedded-antennas>.

\* cited by examiner

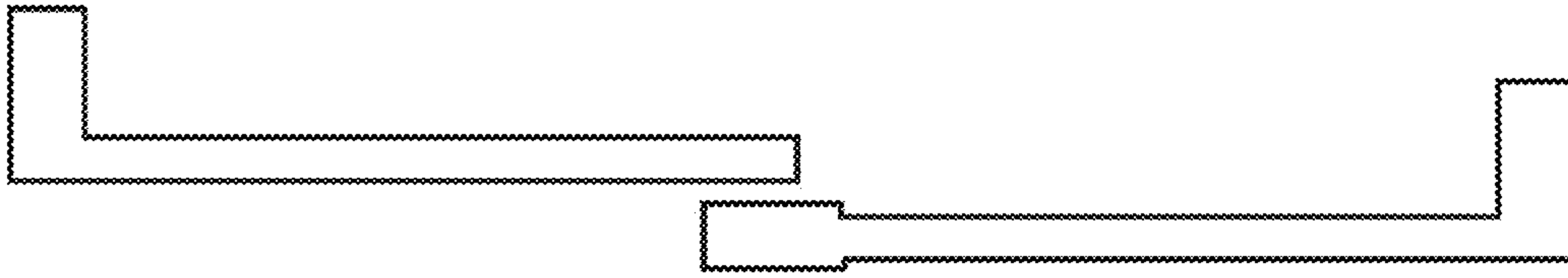


FIG. 1

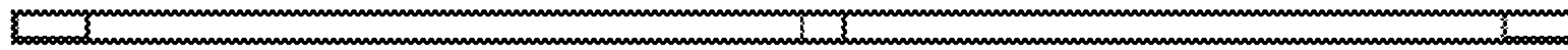


FIG. 2



FIG. 3

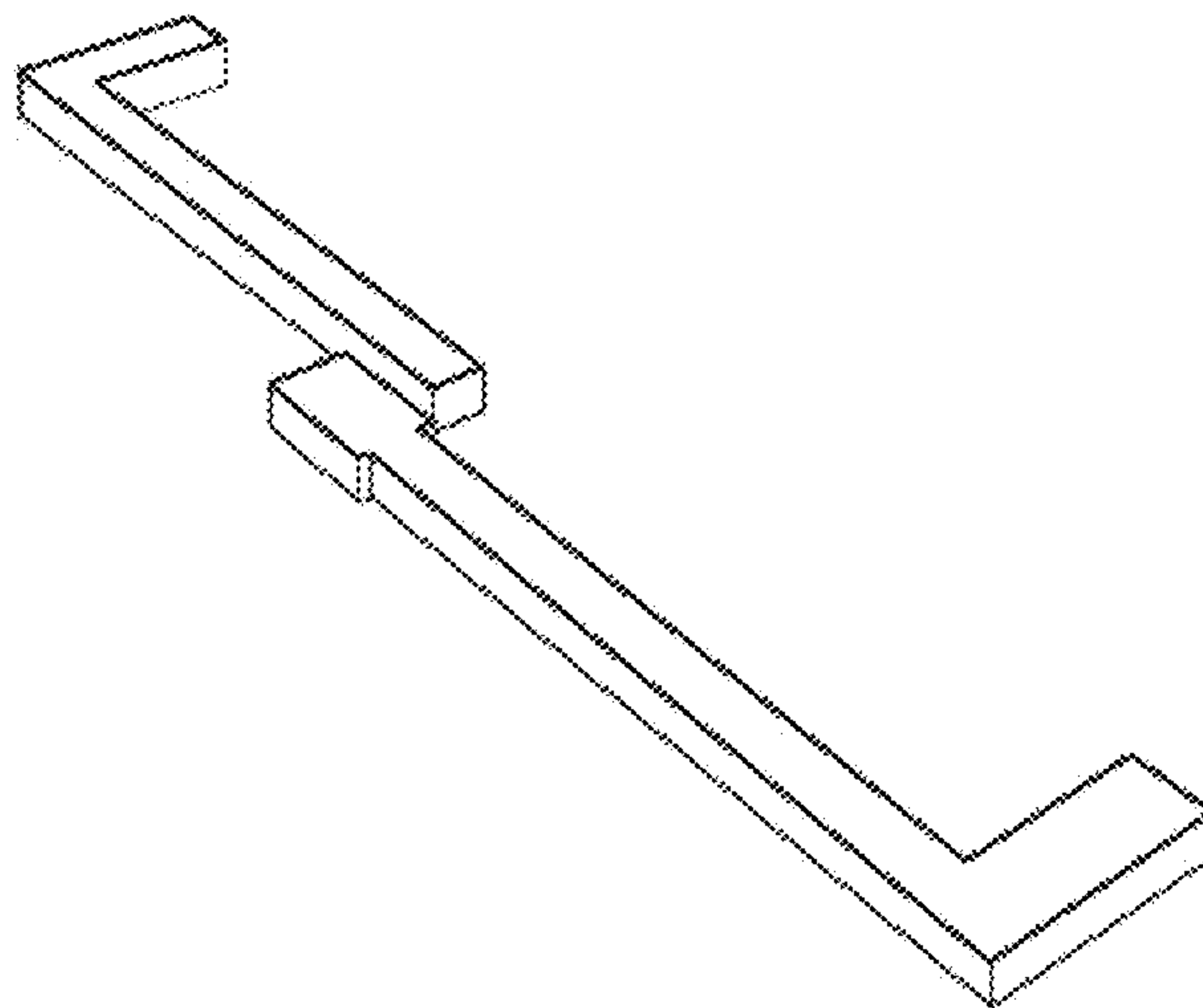


FIG. 4

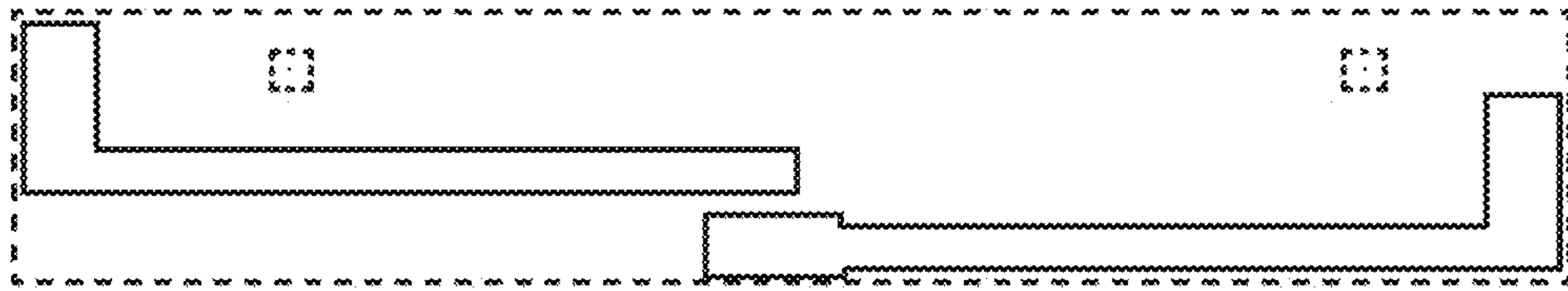


FIG. 5