



US00D735170S

(12) **United States Design Patent**
Colvin

(10) **Patent No.:** **US D735,170 S**
(45) **Date of Patent:** **** Jul. 28, 2015**

(54) **VEHICLE GLOVE BOX MOUNT FOR MEDIA PLAYING DEVICE**

(71) Applicant: **Thomas Michael Colvin**, Findlay, OH (US)

(72) Inventor: **Thomas Michael Colvin**, Findlay, OH (US)

(**) Term: **14 Years**

(21) Appl. No.: **29/472,461**

(22) Filed: **Nov. 12, 2013**

(51) **LOC (10) Cl.** **14-01**

(52) **U.S. Cl.**
USPC **D14/224; D12/223**

(58) **Field of Classification Search**
USPC D8/380-381, 354, 366; D12/192, 195, D12/415, 420, 223; D14/224, 251, D14/498-511; 248/27.1, 27.3, 558; 455/347, 350

See application file for complete search history.

(56) **References Cited**

U.S. PATENT DOCUMENTS

D198,471 S *	6/1964	Rankin, Jr.	D8/381
3,606,447 A	9/1971	Ryding	
D247,722 S *	4/1978	Lehto	D8/380
D256,663 S *	9/1980	Gilb	D8/354
D302,240 S *	7/1989	Zell	D8/381
D308,870 S *	6/1990	Rioux, Jr.	D14/251

D357,407 S *	4/1995	Pate	D8/381
D423,328 S *	4/2000	Burrows	D8/354
D449,029 S *	10/2001	Hanson et al.	D12/223
D575,220 S *	8/2008	Pockalny	D12/223
D603,781 S *	11/2009	Jimenez	D12/223
D656,923 S *	4/2012	Hecoeks	D14/224
D663,726 S *	7/2012	Gourley	D14/251
D669,014 S *	10/2012	Matijevich	D12/223

* cited by examiner

Primary Examiner — Sandra Morris

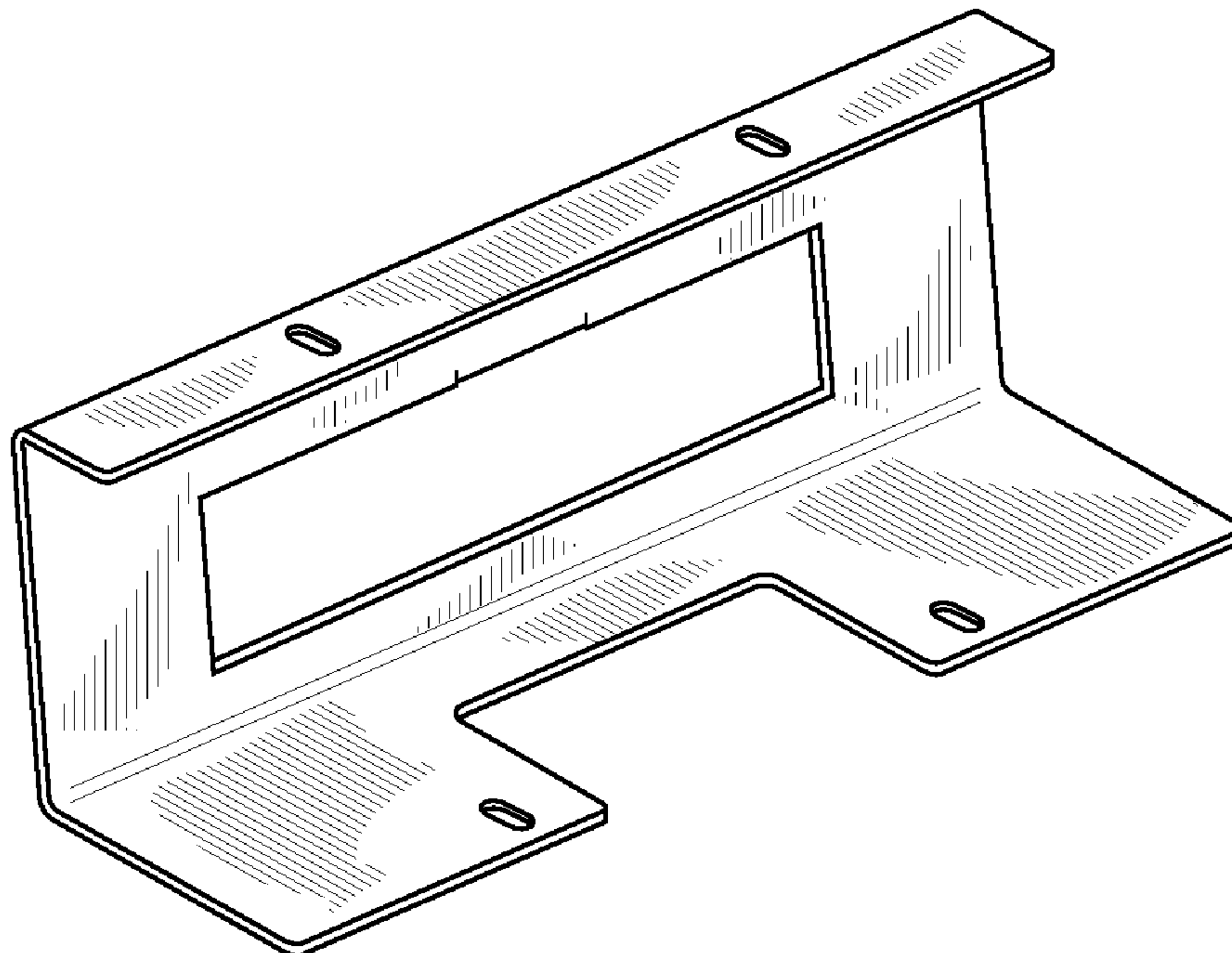
(57) **CLAIM**

The ornamental design for a vehicle glove box mount for media playing device, as shown and described.

DESCRIPTION

FIG. 1 is a perspective front view of a vehicle glove box mount for media playing device;
 FIG. 2 is a perspective rear view of the vehicle glove box mount for media playing device;
 FIG. 3 is a front elevation view of the vehicle glove box mount for media playing device;
 FIG. 4 is a rear elevation view of the vehicle glove box mount for media playing device;
 FIG. 5 is a left elevation view of the vehicle glove box mount for media playing device;
 FIG. 6 is a right elevation view of the vehicle glove box mount for media playing device;
 FIG. 7 is a top elevation view of the vehicle glove box mount for media playing device; and,
 FIG. 8 is a bottom elevation view of the vehicle glove box mount for media playing device.

1 Claim, 3 Drawing Sheets



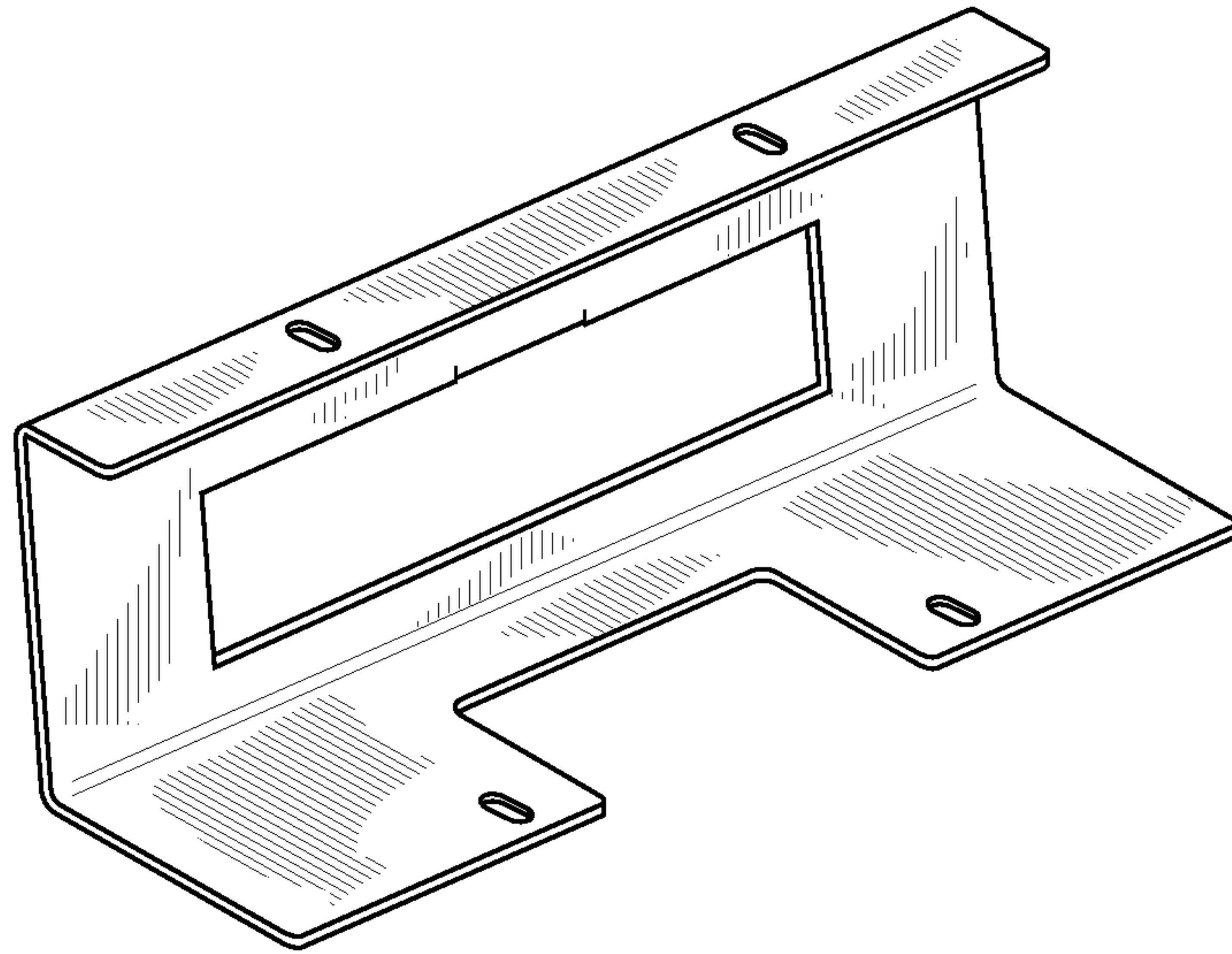


FIG. 1

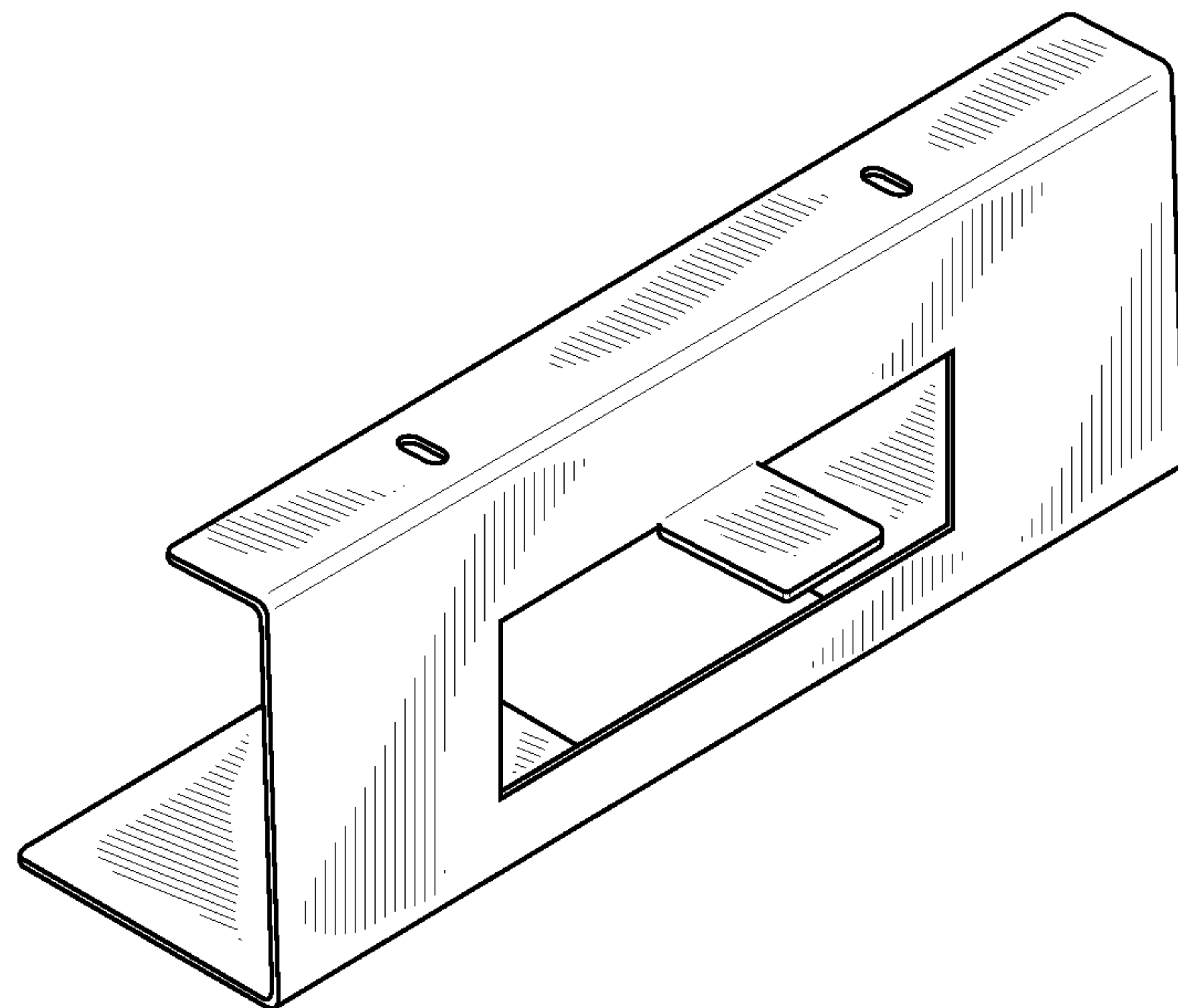


FIG. 2

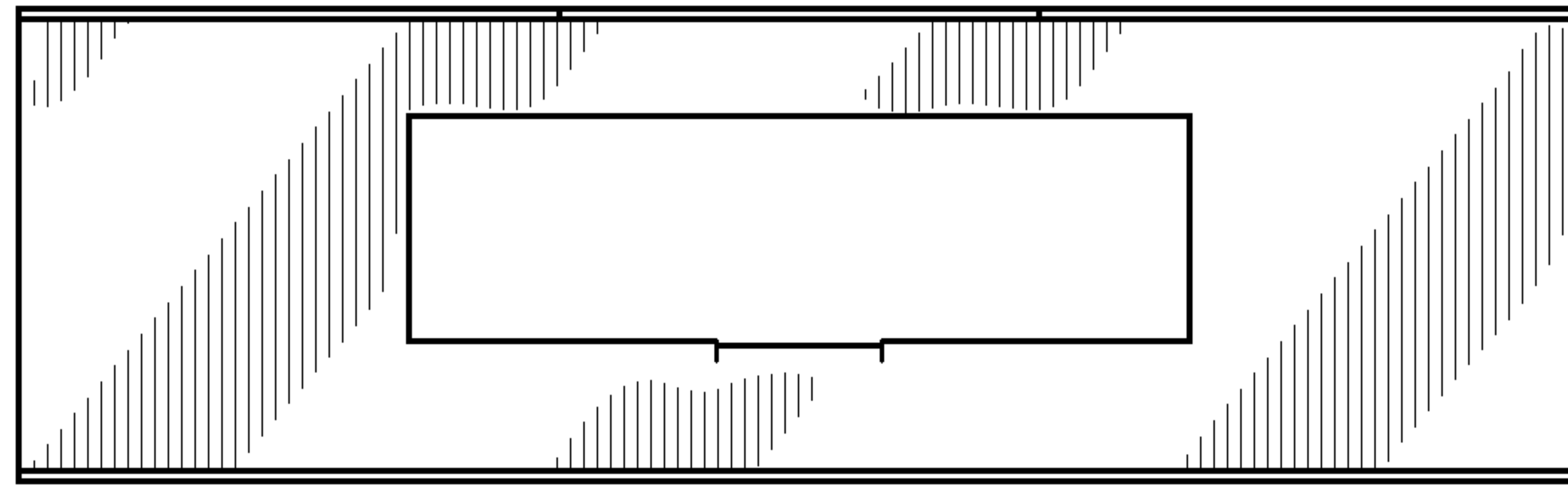


FIG. 3

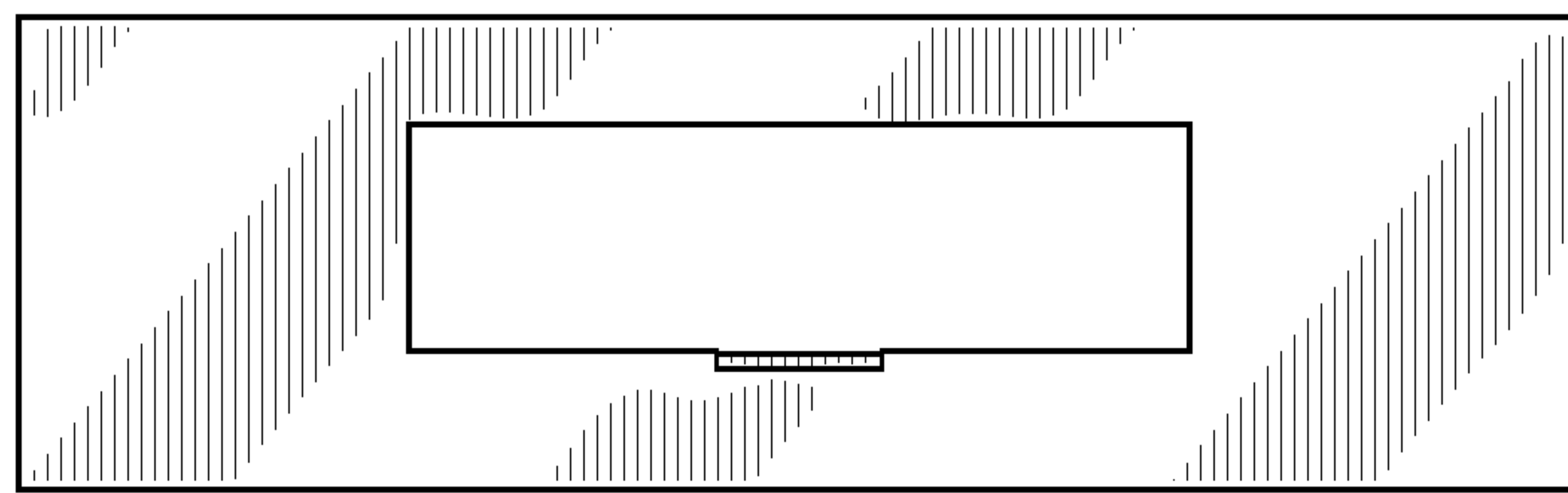


FIG. 4

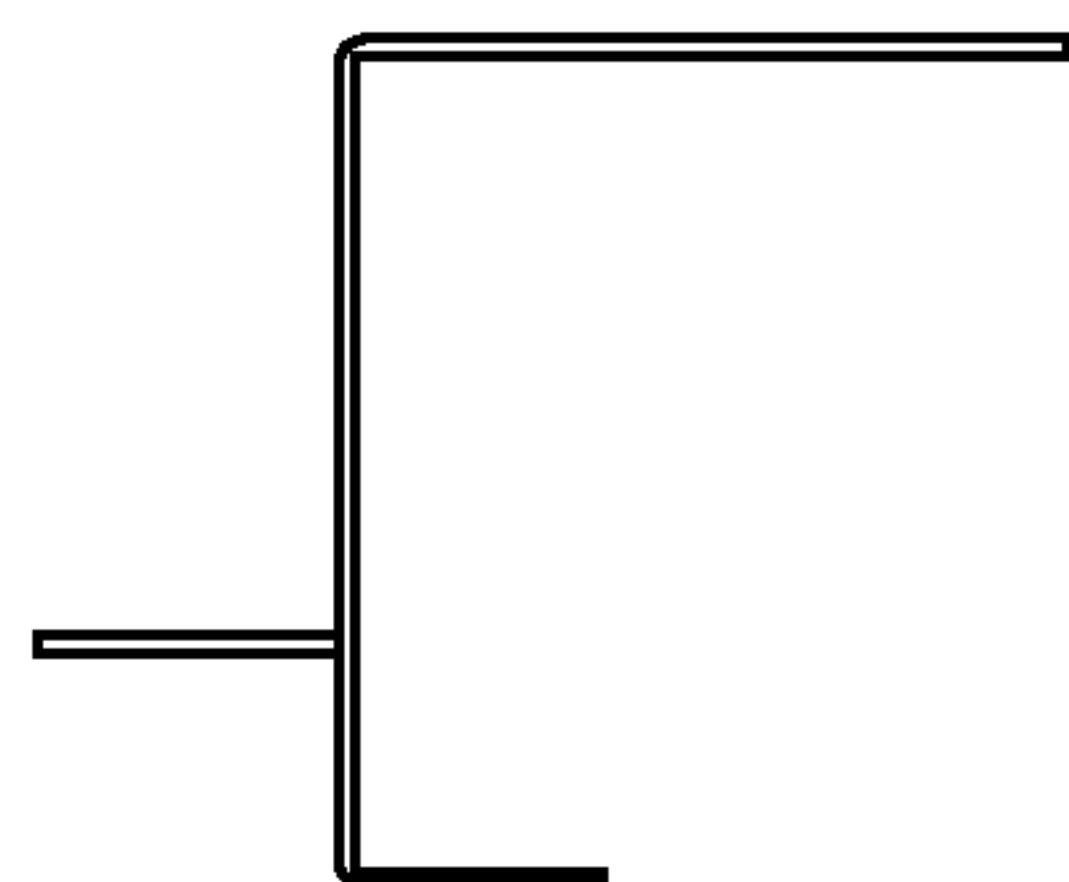


FIG. 5

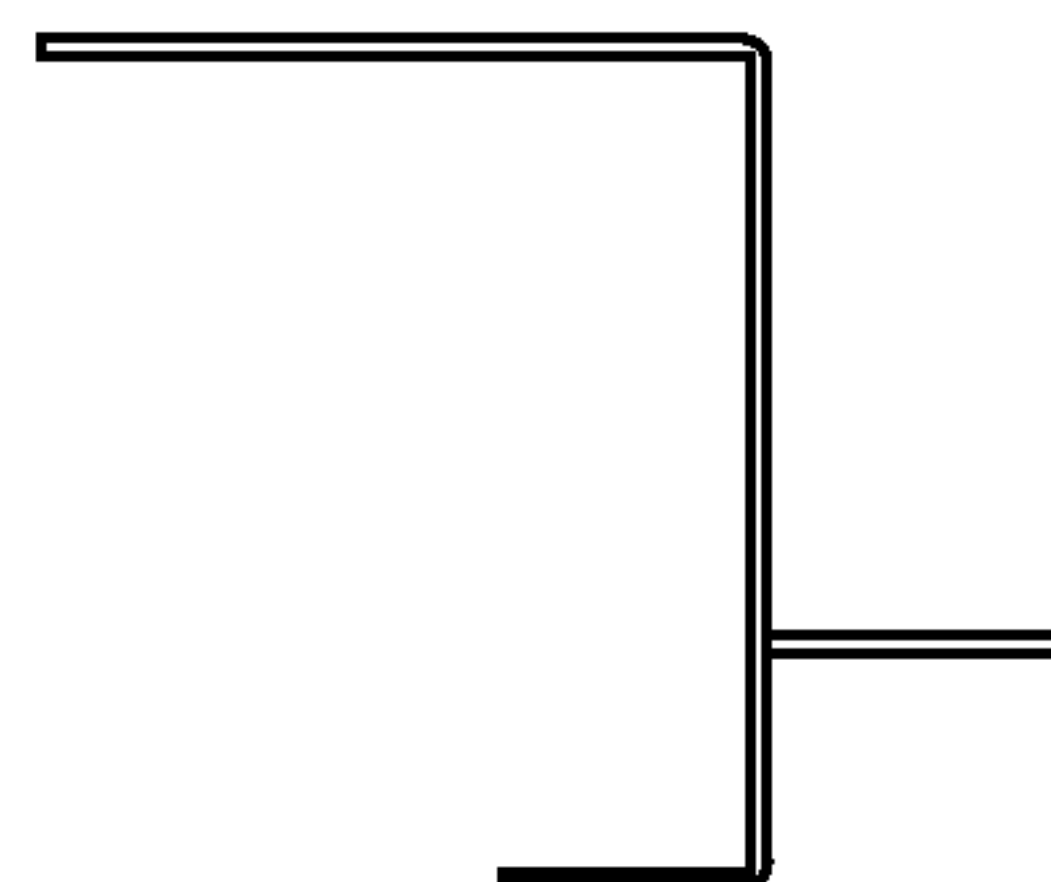


FIG. 6

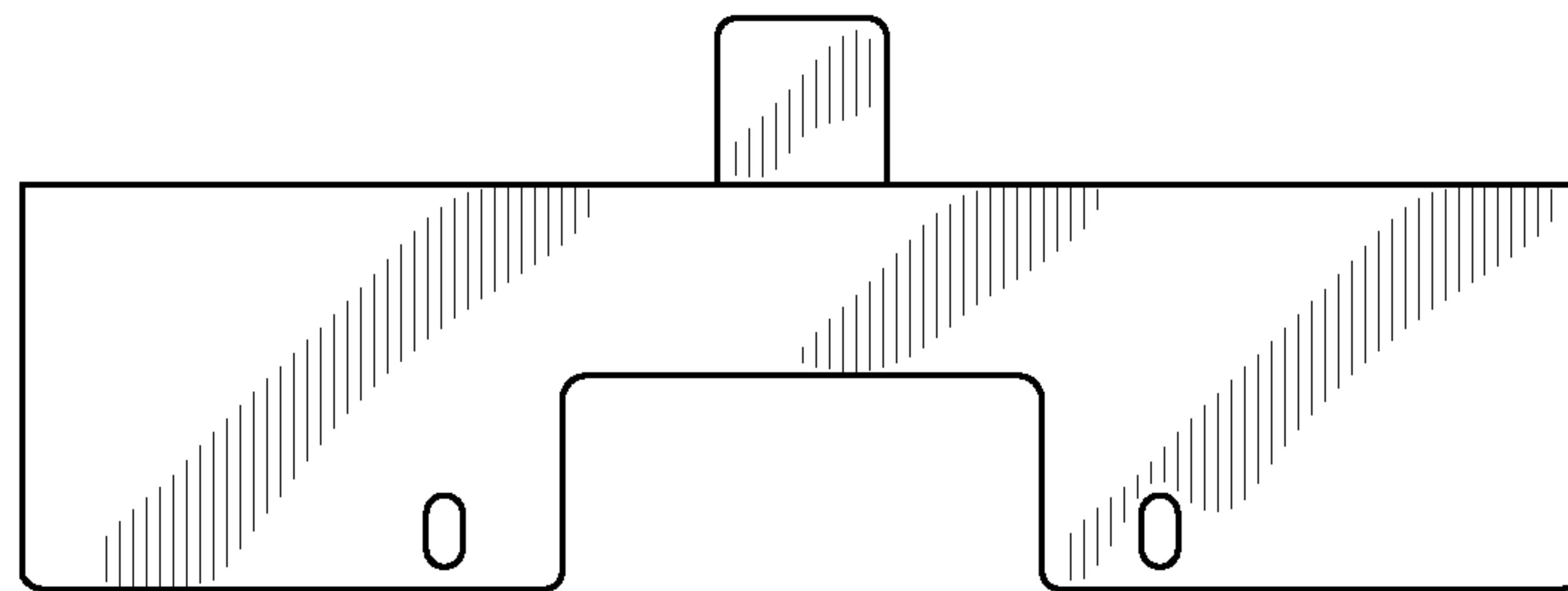


FIG. 7

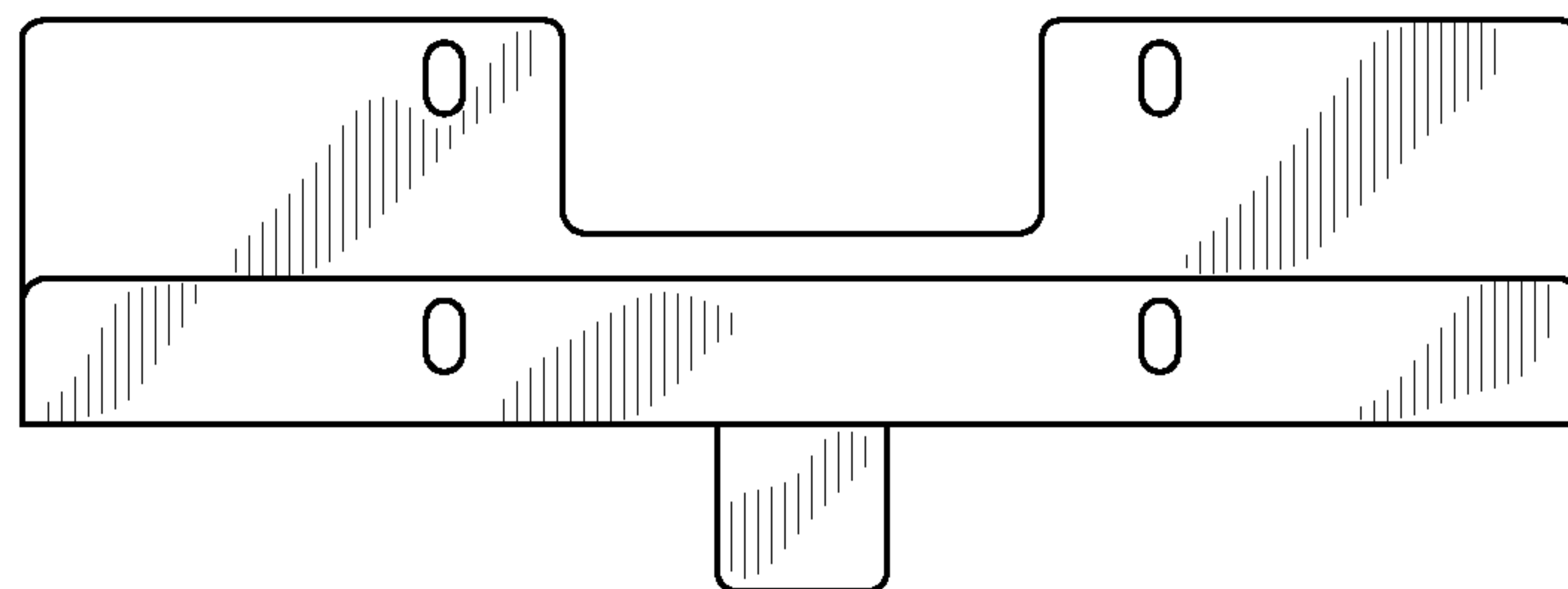


FIG. 8