



US00D735169S

(12) **United States Design Patent**
Shieh

(10) **Patent No.:** **US D735,169 S**

(45) **Date of Patent:** **** Jul. 28, 2015**

(54) **HOUSING OF AN IN-EAR EARPHONE**

(71) Applicant: **Martie Shieh**, City of Industry, CA (US)

(72) Inventor: **Martie Shieh**, City of Industry, CA (US)

(**) Term: **14 Years**

(21) Appl. No.: **29/494,598**

(22) Filed: **Jun. 23, 2014**

(51) **LOC (10) Cl.** **14-01**

(52) **U.S. Cl.**
USPC **D14/223**

(58) **Field of Classification Search**

USPC D14/205, 206; D24/174; 181/129, 130,
181/135; 379/430, 431; 381/380, 381;
128/864; 455/90.3, 575.1

CPC H04R 1/10

See application file for complete search history.

(56) **References Cited**

U.S. PATENT DOCUMENTS

2,325,590	A *	7/1943	Carlisle et al.	381/328
D141,071	S *	5/1945	Hechler	D24/174
2,513,985	A *	7/1950	Woodruff et al.	381/372
2,719,523	A *	10/1955	Von Gierke	128/864
3,047,089	A *	7/1962	Zwislocki	181/135
3,209,082	A *	9/1965	McCarrell et al.	381/328
D208,784	S *	10/1967	Sanzone	D24/174
3,440,365	A *	4/1969	Hazell et al.	379/430
3,470,328	A *	9/1969	Daniels	381/322
D266,271	S *	9/1982	Johanson et al.	D24/174
D266,590	S *	10/1982	Bennett	D24/174
4,375,016	A *	2/1983	Harada	181/135
4,702,238	A *	10/1987	Scott	128/867
4,945,569	A *	7/1990	Kulman	381/325
D338,530	S *	8/1993	Oberlander	D24/174
6,122,388	A *	9/2000	Feldman	381/322
D455,835	S *	4/2002	Anderson et al.	D24/174
7,068,803	B2 *	6/2006	Kuhlmann et al.	381/328

D529,612	S *	10/2006	Feeley et al.	D24/174
D532,770	S *	11/2006	Engstrom et al.	D14/205
D535,642	S *	1/2007	Garcia et al.	D14/206
D540,312	S *	4/2007	Atamaniuk et al.	D14/223
D563,945	S *	3/2008	Johns et al.	D14/205
D574,814	S *	8/2008	Hammond	D14/223
D575,773	S *	8/2008	Yanai	D14/223
D603,379	S *	11/2009	Harbeke et al.	D14/223
D618,672	S *	6/2010	Harbeke et al.	D14/223
D631,470	S *	1/2011	Yoneyama et al.	D14/223
D637,184	S *	5/2011	March	D14/223
D649,957	S *	12/2011	Fahrendorff et al.	D14/223
D667,817	S *	9/2012	Otani	D14/223
D687,021	S *	7/2013	Yuen	D14/223
D705,760	S *	5/2014	Drambarean	D14/223
D711,858	S *	8/2014	Yang	D14/223
D712,883	S *	9/2014	Birger	D14/223
D715,775	S *	10/2014	Rueskov	D14/221
D721,354	S *	1/2015	Thompson et al.	D14/223

* cited by examiner

Primary Examiner — Paula Greene

(57) **CLAIM**

The ornamental design for a housing of an in-ear earphone, as shown and described.

DESCRIPTION

FIG. 1 is a front elevation view of a housing of an in-ear earphone;
 FIG. 2 is a rear elevation view of the housing of an in-ear earphone;
 FIG. 3 is a left side elevation view of the housing of an in-ear earphone;
 FIG. 4 is a right side elevation view of the housing of an in-ear earphone;
 FIG. 5 is a top plan view of the housing of an in-ear earphone;
 and,
 FIG. 6 is a bottom plan view of the housing of an in-ear earphone.

1 Claim, 3 Drawing Sheets

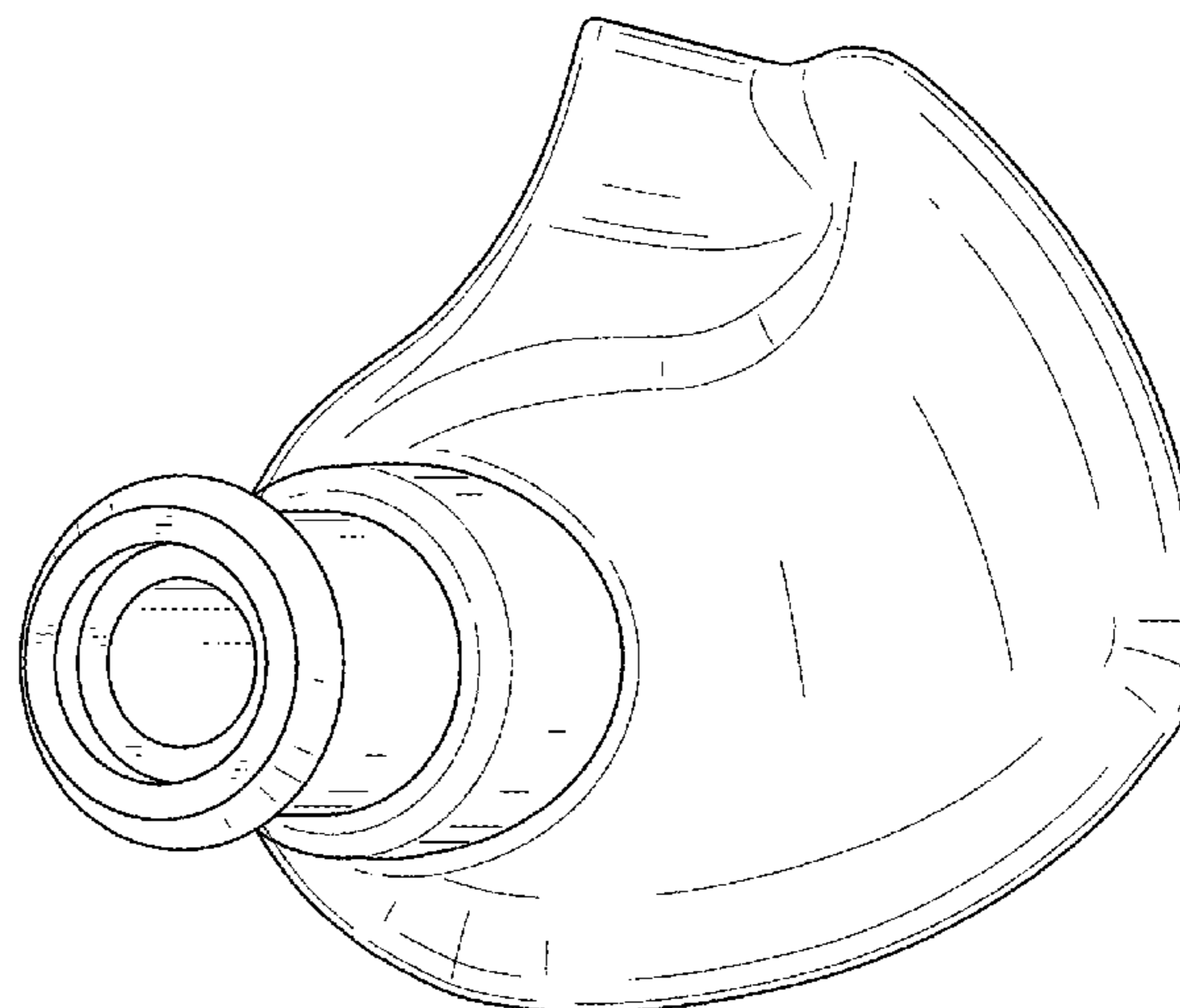
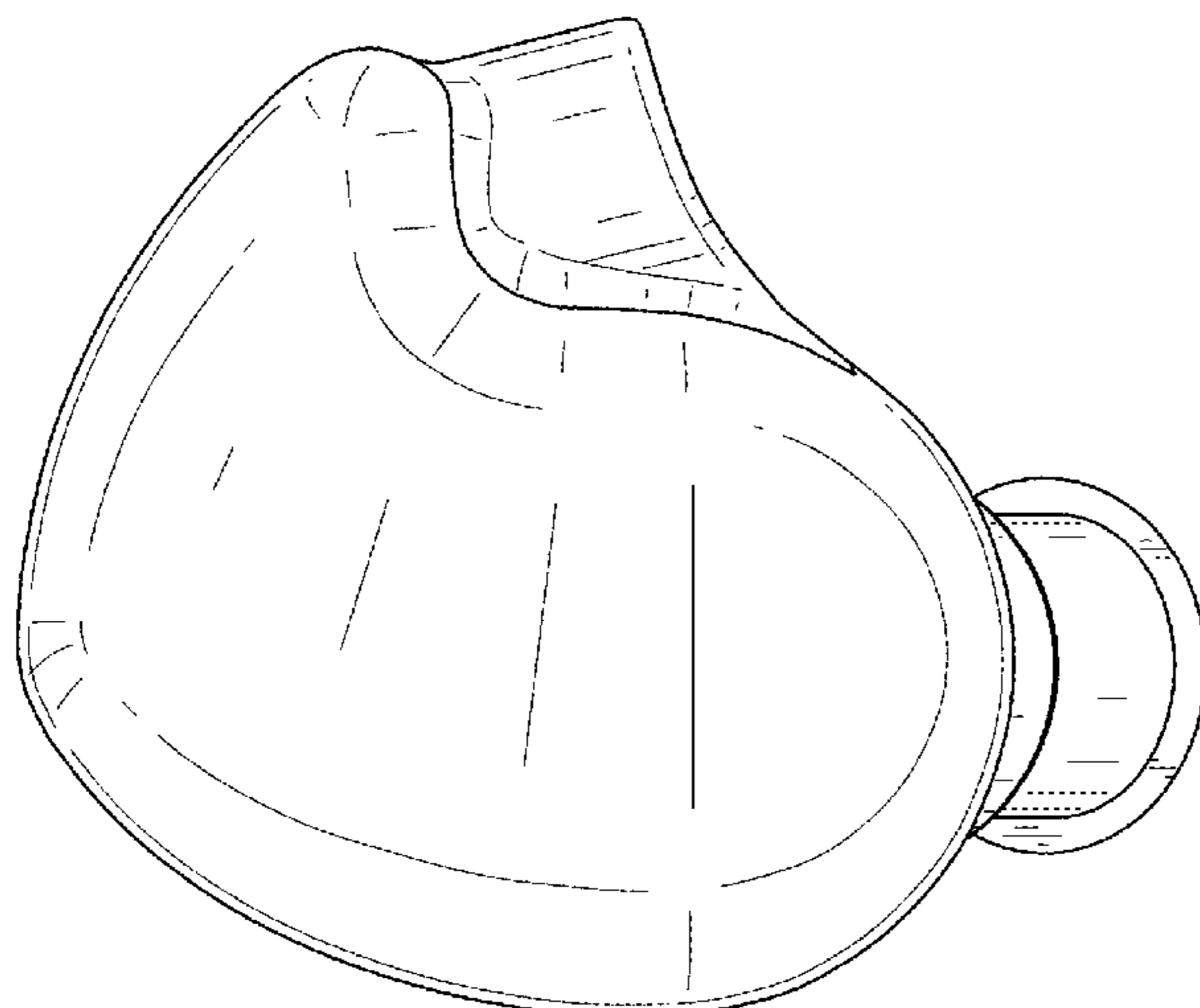


FIG. 1

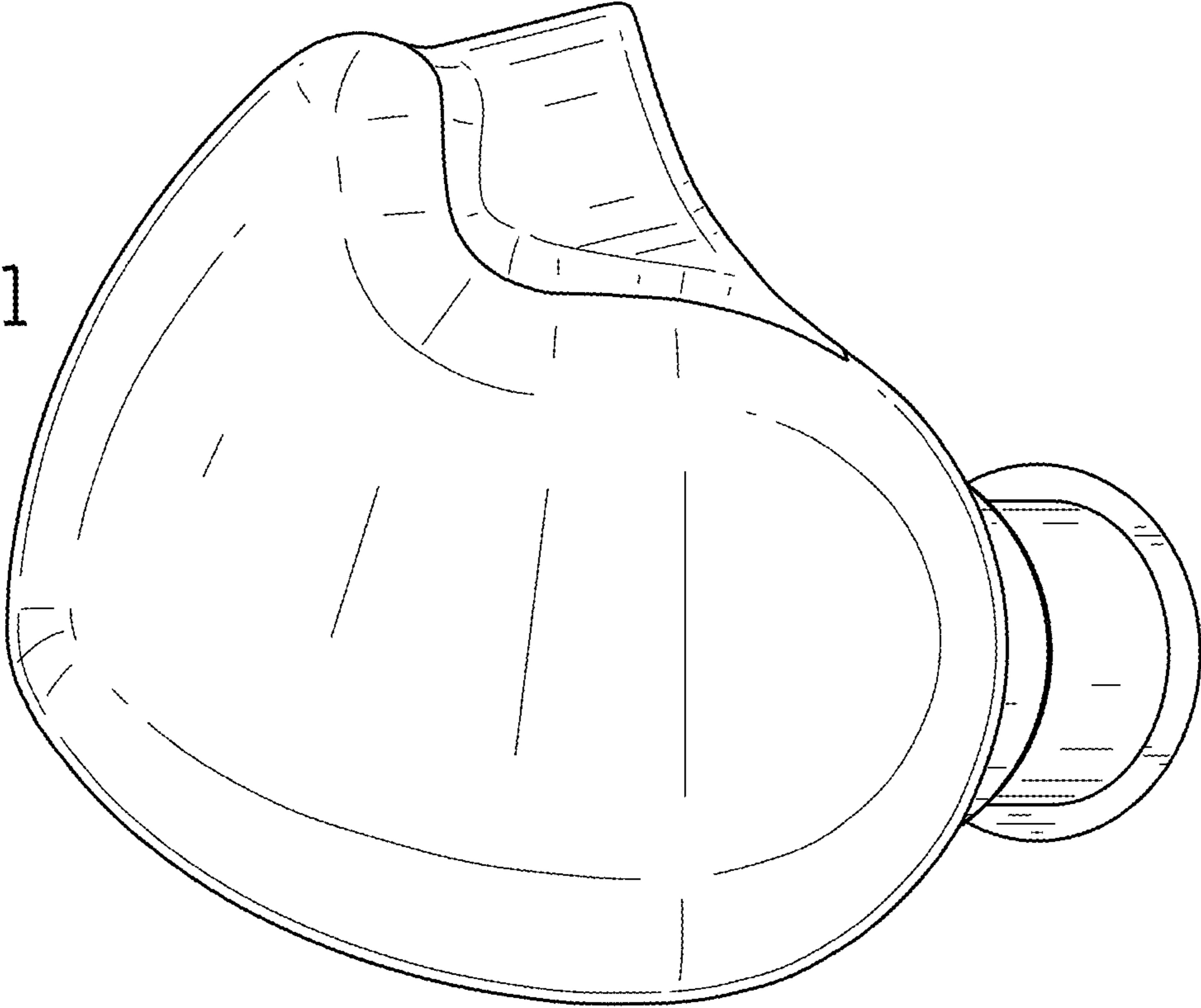
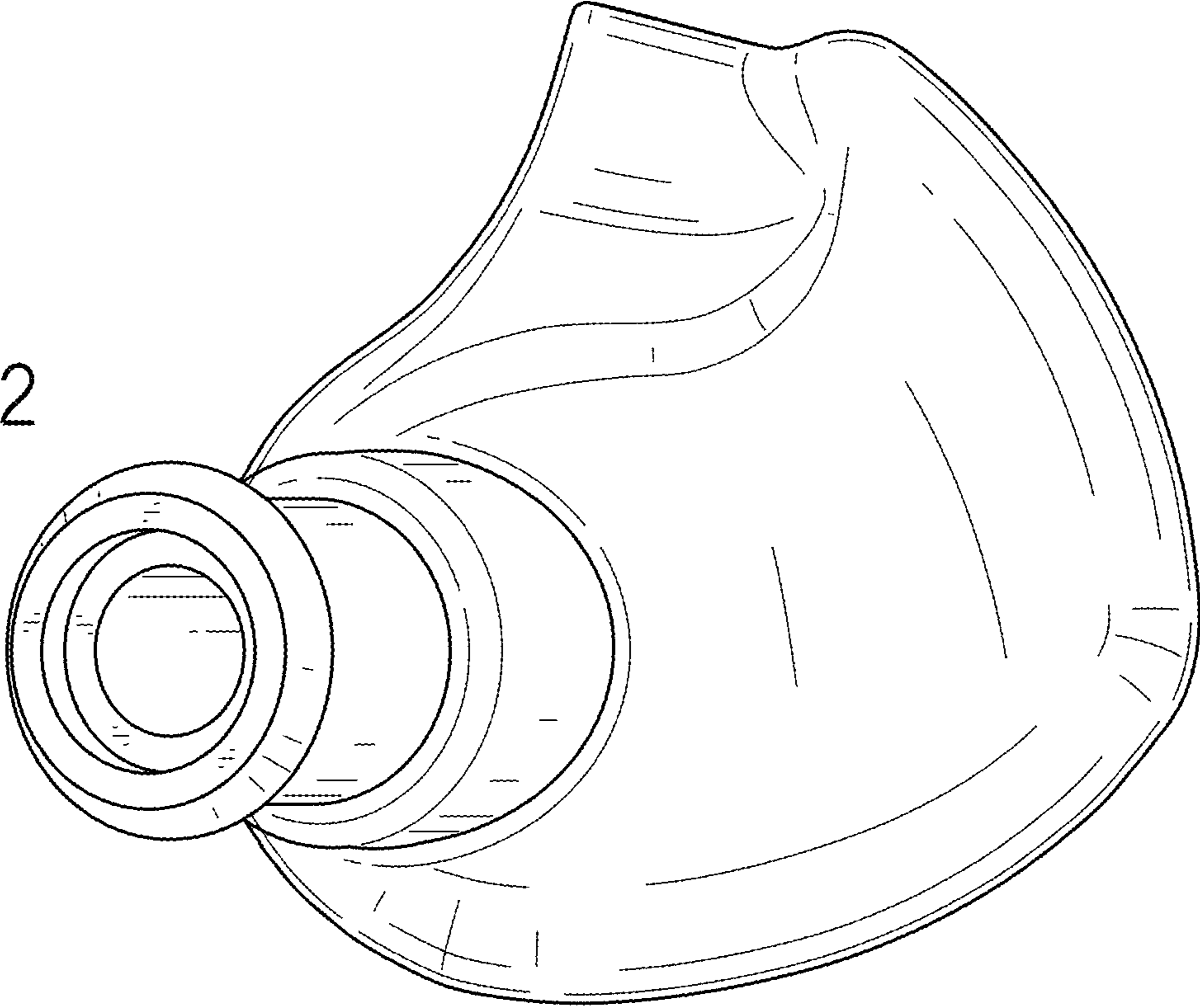


FIG. 2



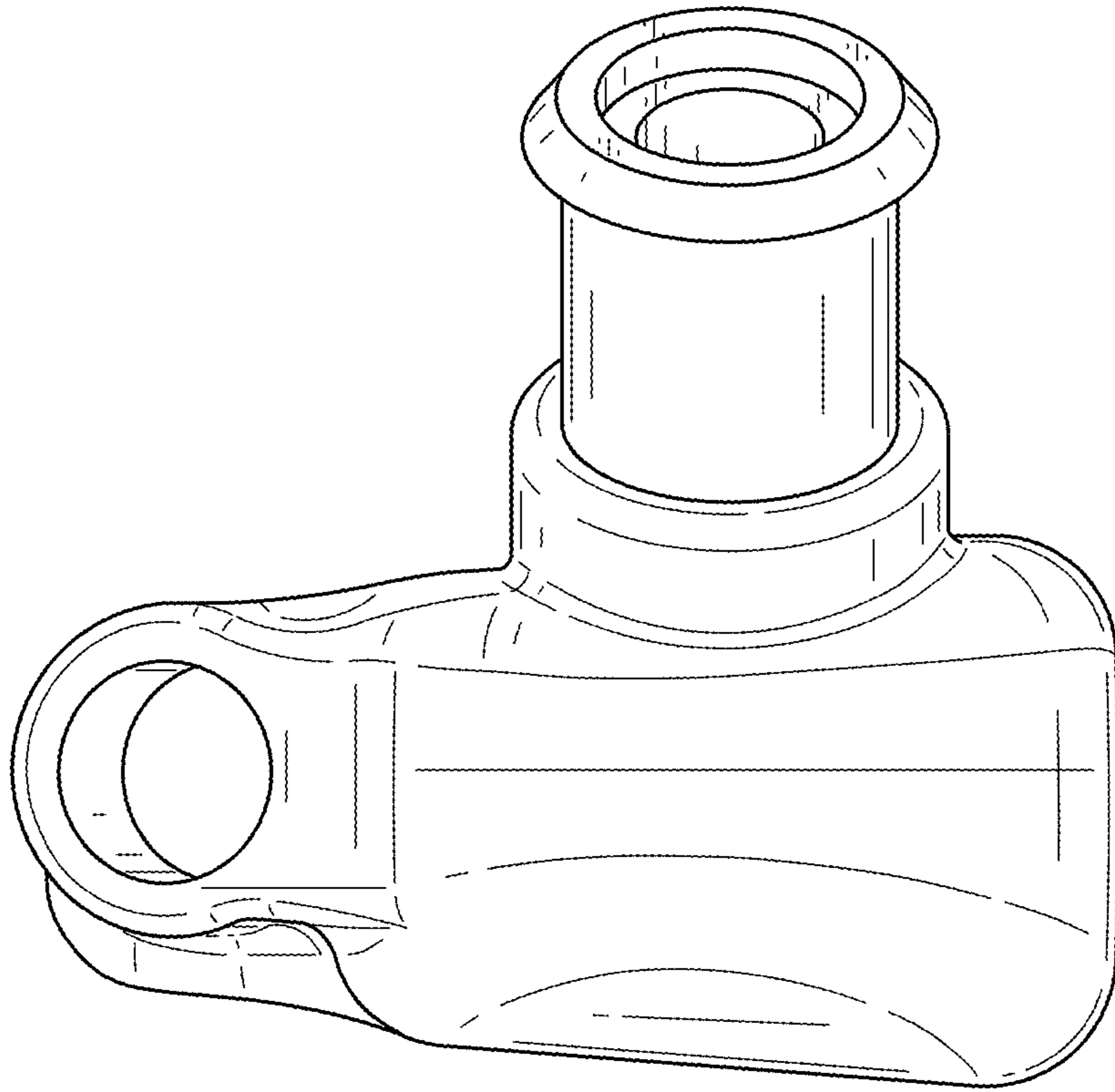


FIG. 4

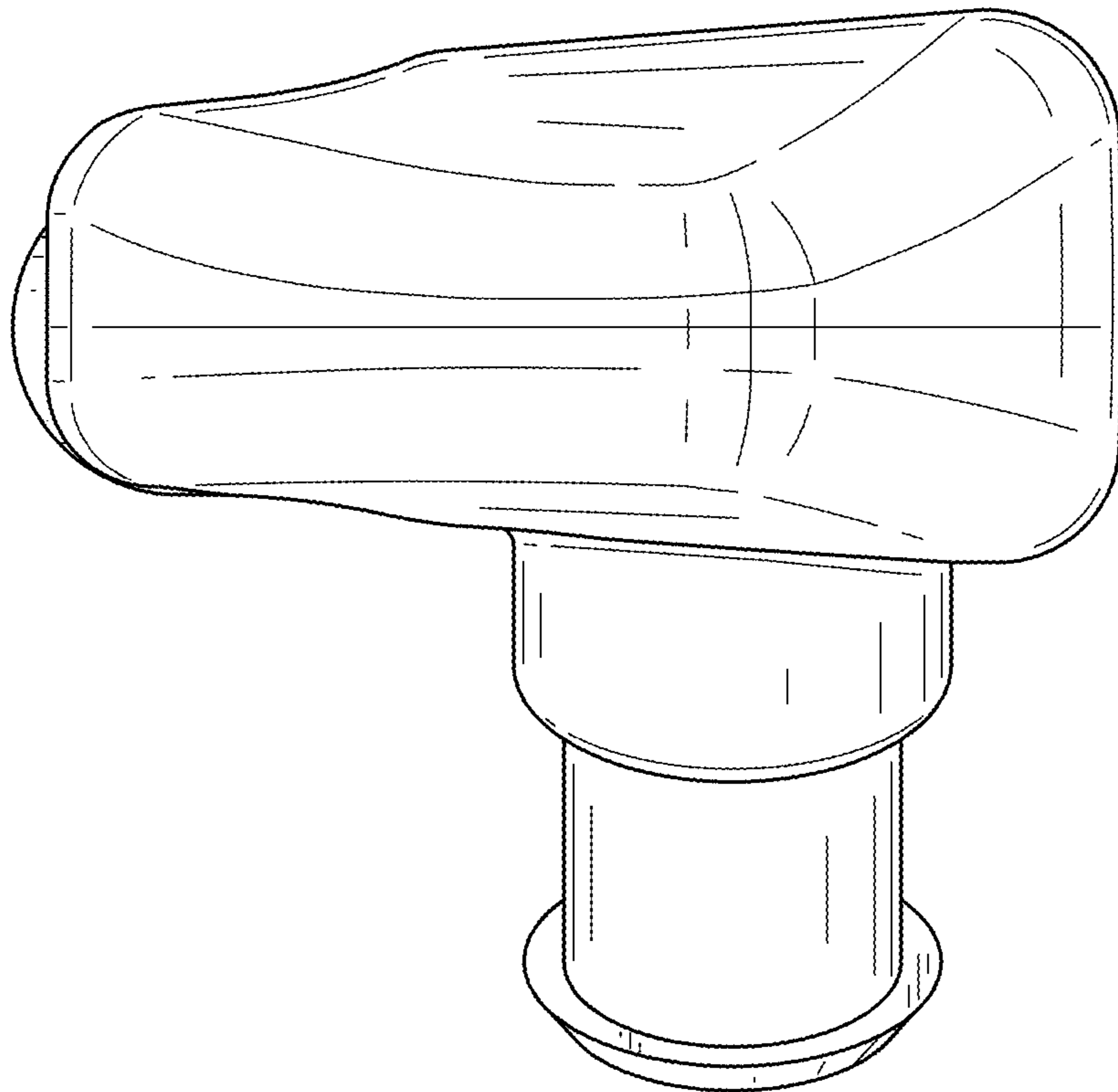


FIG. 3

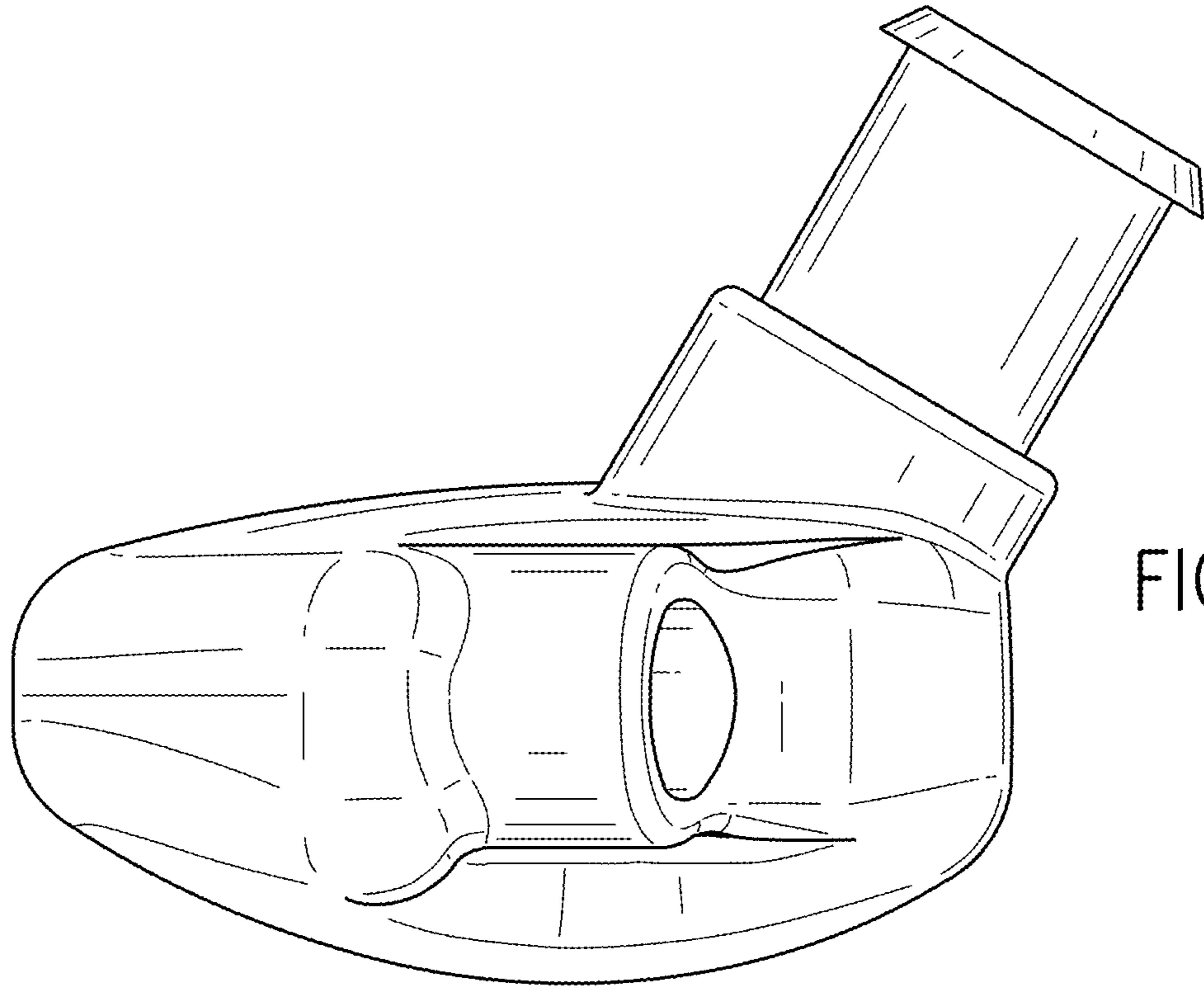


FIG. 5

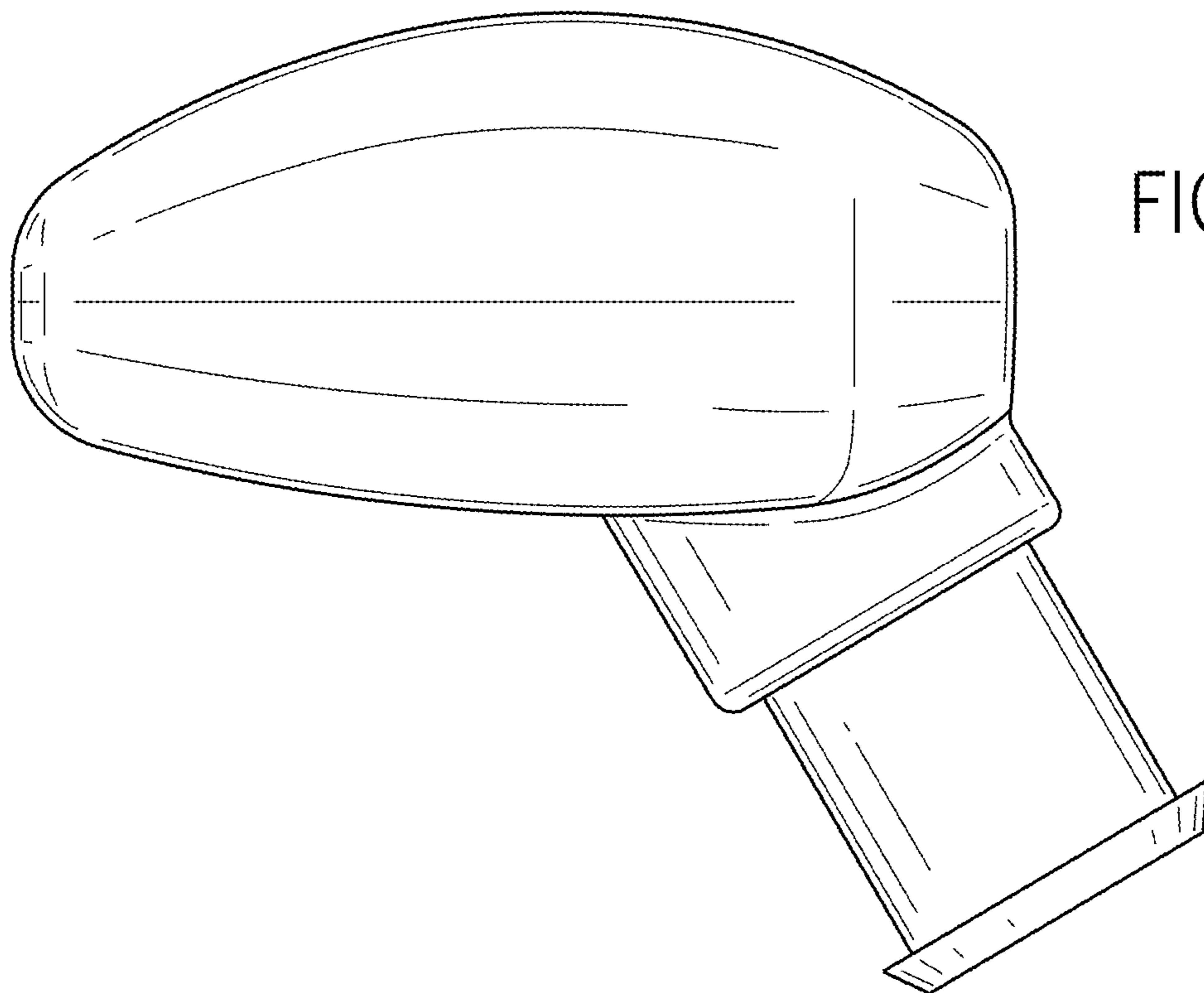


FIG. 6