



US00D735164S

(12) **United States Design Patent**
Lin et al.

(10) **Patent No.:** **US D735,164 S**
(45) **Date of Patent:** **** Jul. 28, 2015**

(54) **SPEAKER**

(71) Applicant: **ADDION Technology**, Taipei (TW)
(72) Inventors: **Yu-Shen Lin**, Taipei (TW); **Nai-Wen Liu**, Taipei (TW); **Ty-Son Ming**, Taipei (TW)
(73) Assignee: **ADDION TECHNOLOGY**, Taipei (TW)
(**) Term: **14 Years**
(21) Appl. No.: **29/478,563**

(22) Filed: **Jan. 6, 2014**
(51) **LOC (10) Cl.** **14-03**
(52) **U.S. Cl.**
USPC **D14/216**

(58) **Field of Classification Search**
USPC D14/167, 168, 170–172, 188, 194–196, D14/204, 207, 209.1, 210–216, 219, 221, D14/222, 224, 496; 181/143, 144, 147, 148, 181/150, 153, 157, 198, 199; 381/300–303, 381/306, 332, 333, 336, 345, 361–364, 381/386–388; 369/6–12
CPC B60R 11/0217; G06F 1/1688; H04M 1/03; H04M 1/035; H04R 1/02; H04R 1/06; H04R 1/021; H04R 1/025; H04R 1/026; H04R 1/028; H04R 1/105; H04R 1/323; H04R 1/403; H04R 1/2803; H04R 1/2834; H04R 5/02; H04R 7/20; H04R 9/06; H04R 9/025; H04R 2201/021; H04R 2400/00; H04R 2400/07; H04R 2499/11; H04R 2499/13; H04R 2499/15; H04S 3/00; H04S 7/30
See application file for complete search history.

(56) **References Cited**

U.S. PATENT DOCUMENTS

D471,530	S	*	3/2003	Solland	D14/211
D483,838	S	*	12/2003	Haug et al.	D23/229
D484,869	S	*	1/2004	Solland	D14/211
D558,767	S	*	1/2008	Solland	D14/412
D624,438	S	*	9/2010	Diss	D9/774
D641,261	S	*	7/2011	Diss et al.	D9/778
D682,805	S	*	5/2013	Rath	D14/149
D692,460	S	*	10/2013	Zunker	D14/496
D717,769	S	*	11/2014	Wong	D14/216
2014/0064535	A1	*	3/2014	Zhao	381/332

* cited by examiner

Primary Examiner — Keli L Hill

(74) *Attorney, Agent, or Firm* — Raymond Y. Chan; David and Raymond Patent Firm

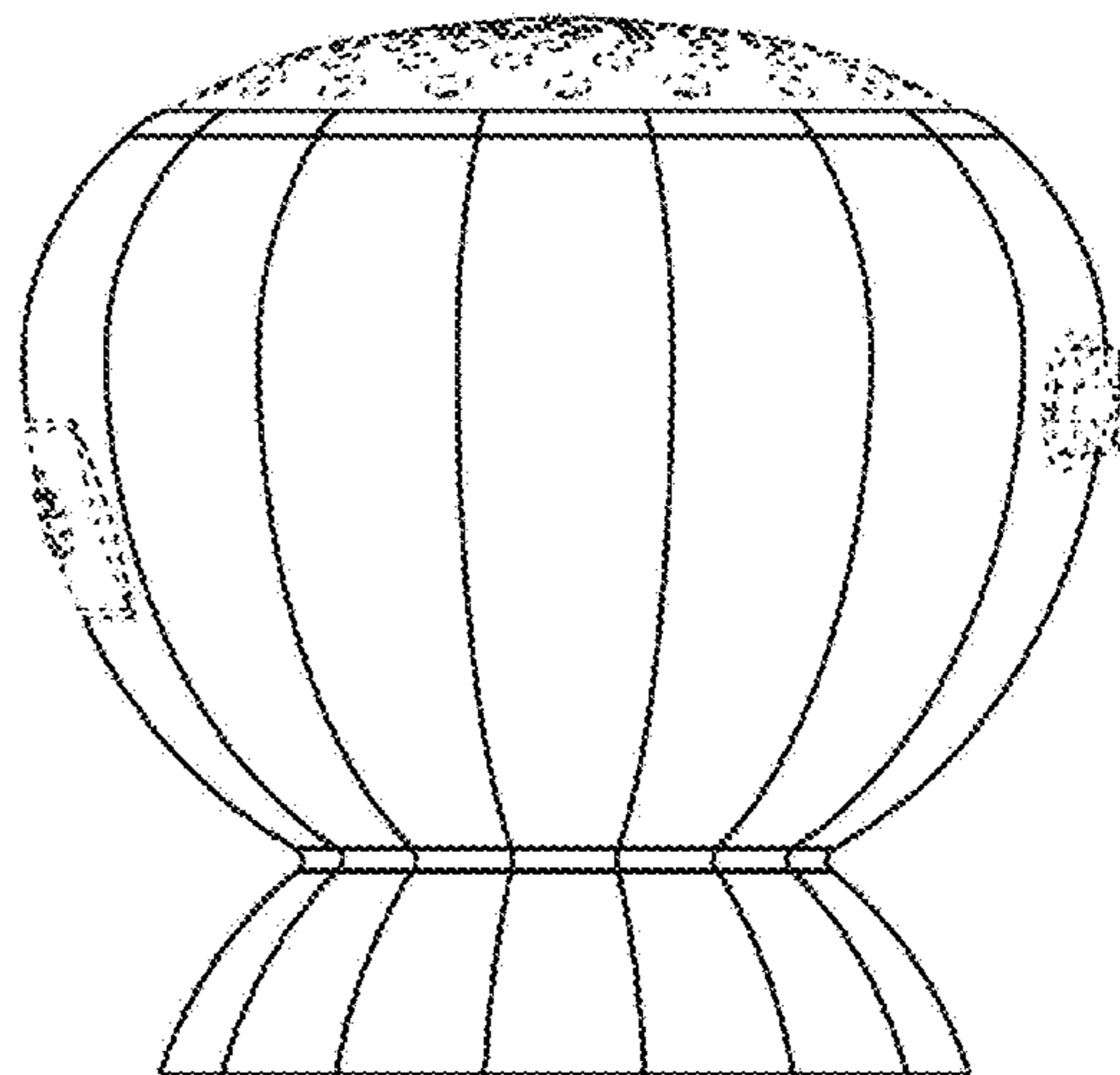
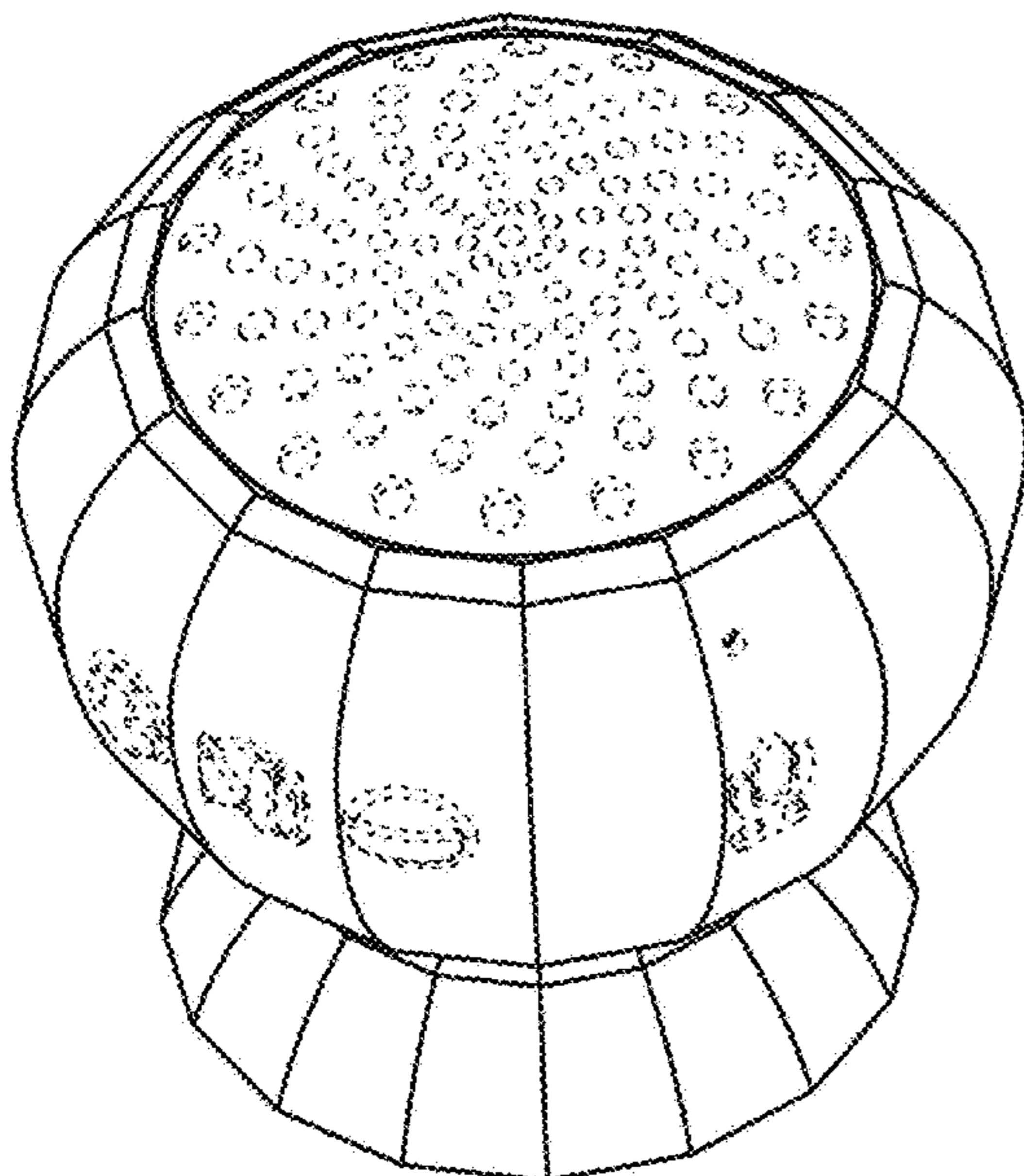
(57) **CLAIM**

The ornamental design for a speaker, as shown and described.

DESCRIPTION

FIG. 1 is a perspective view of speaker showing my new design.
FIG. 2 is a front elevational view thereof.
FIG. 3 is a rear elevational view thereof.
FIG. 4 is a left side elevational view thereof.
FIG. 5 is a right side elevational view thereof.
FIG. 6 is a top plan view thereof; and,
FIG. 7 is a bottom plan view thereof.
The broken lines shown are included for the purpose of illustrating portions of the Speaker that form no part of the claim.

1 Claim, 4 Drawing Sheets



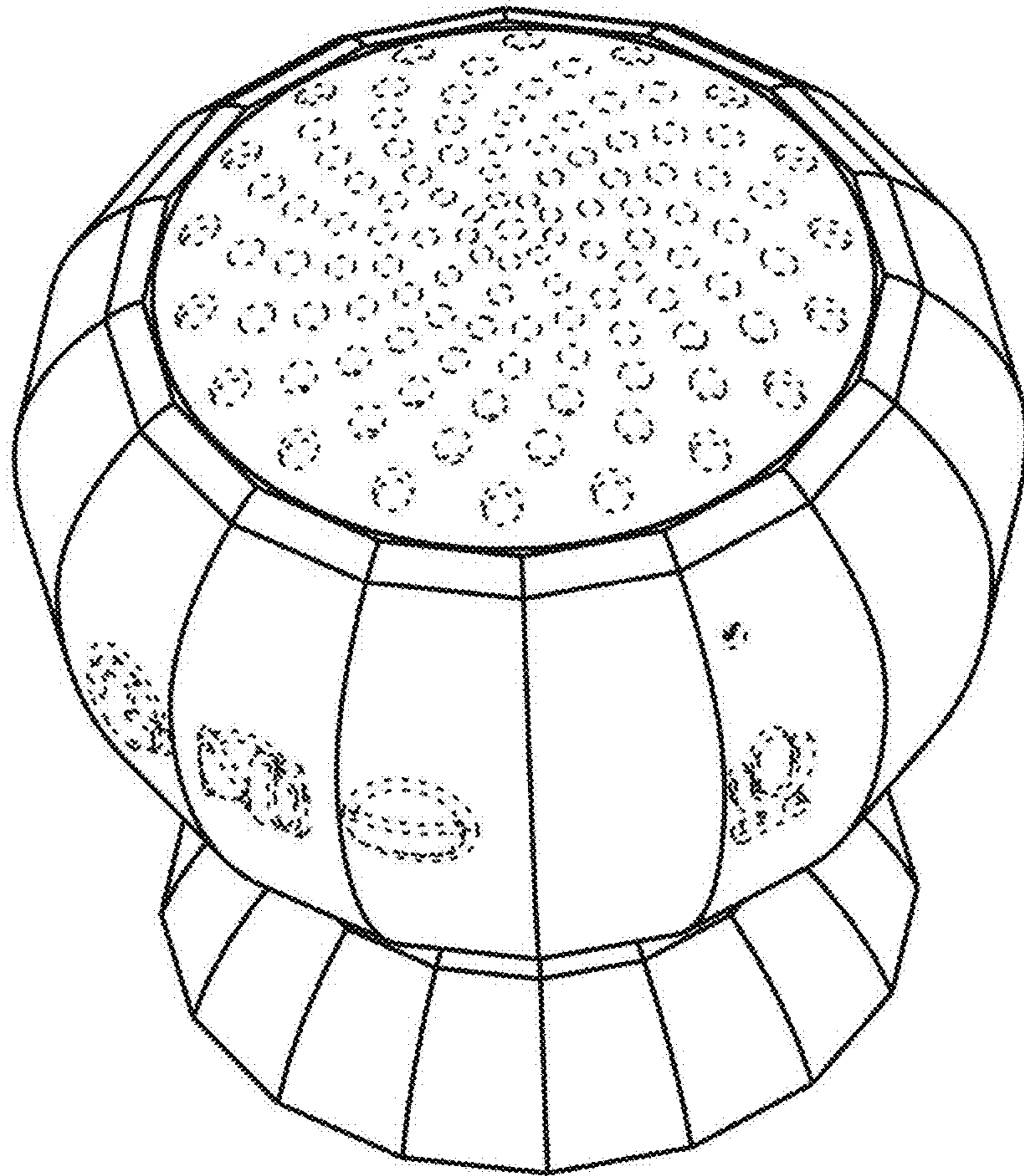


FIG. 1

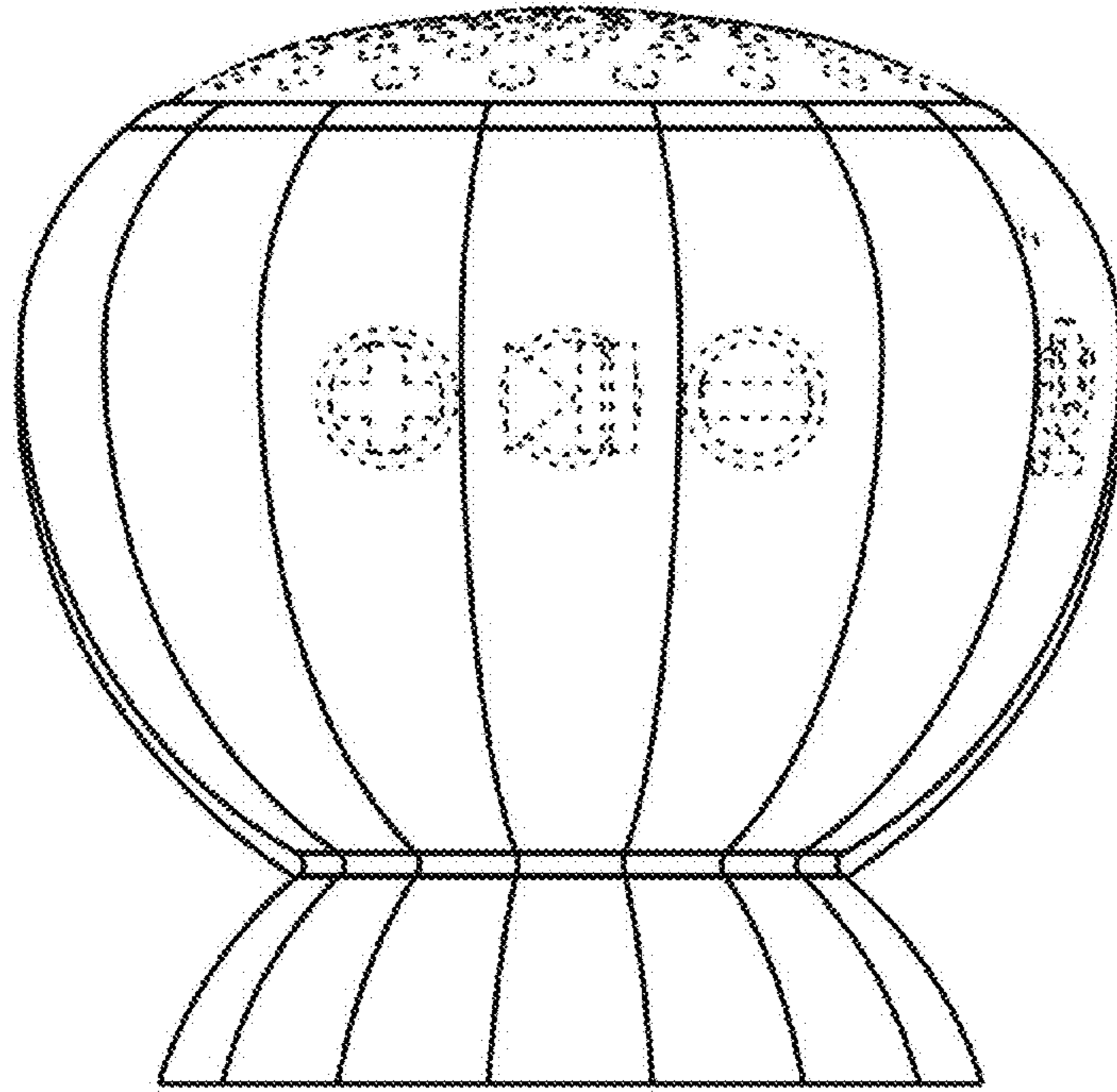


FIG. 2

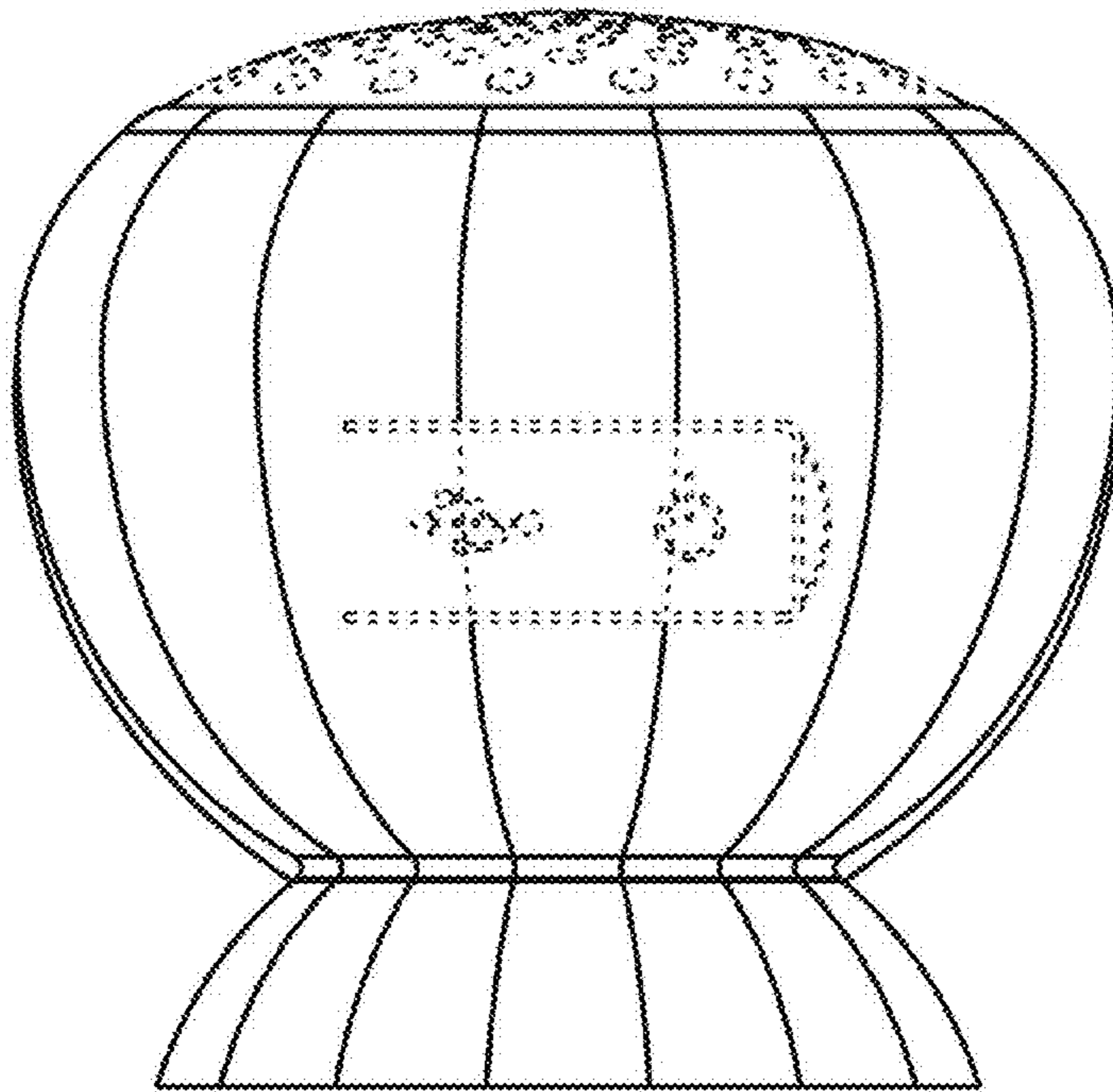


FIG. 3

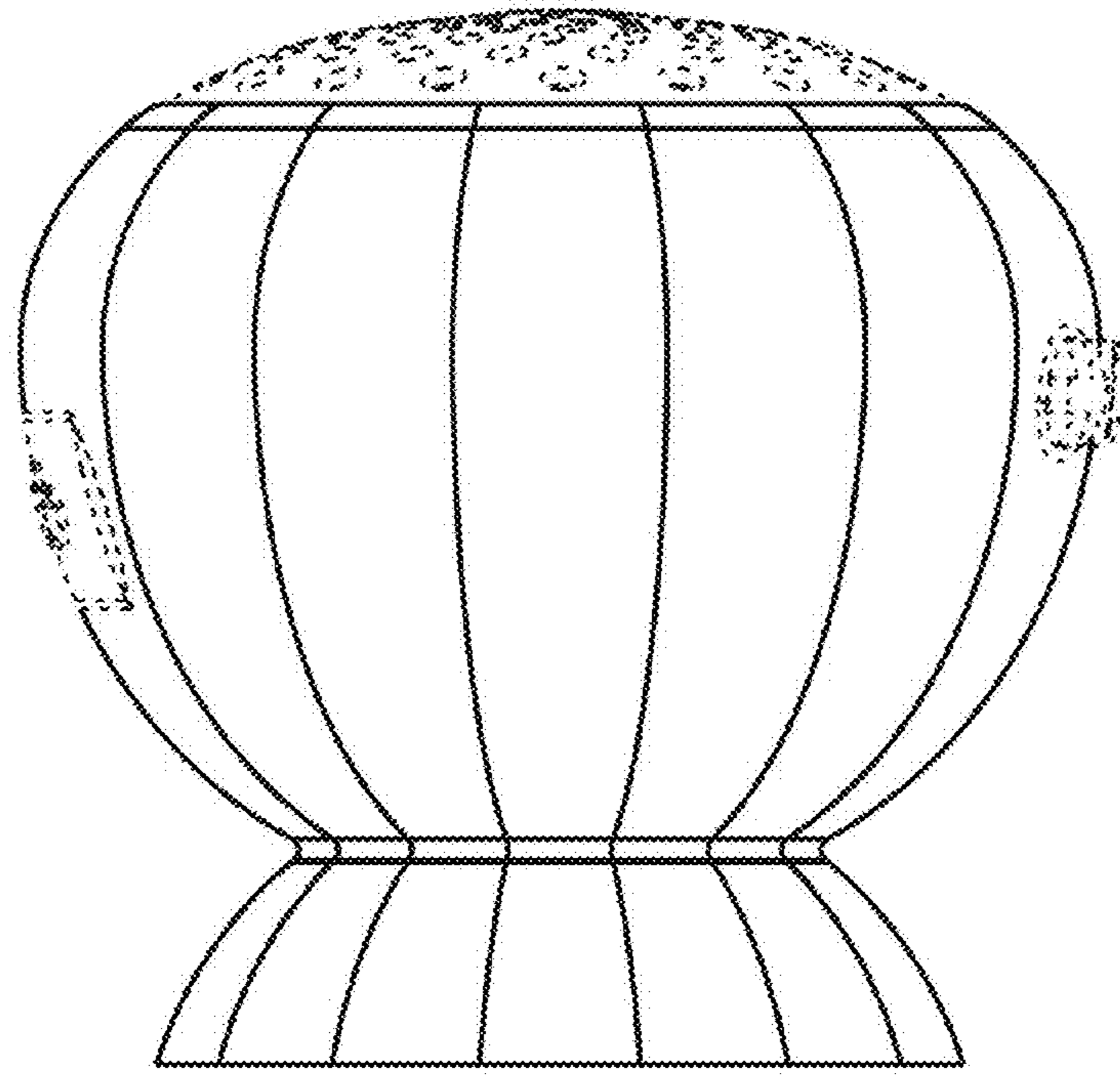


FIG. 4

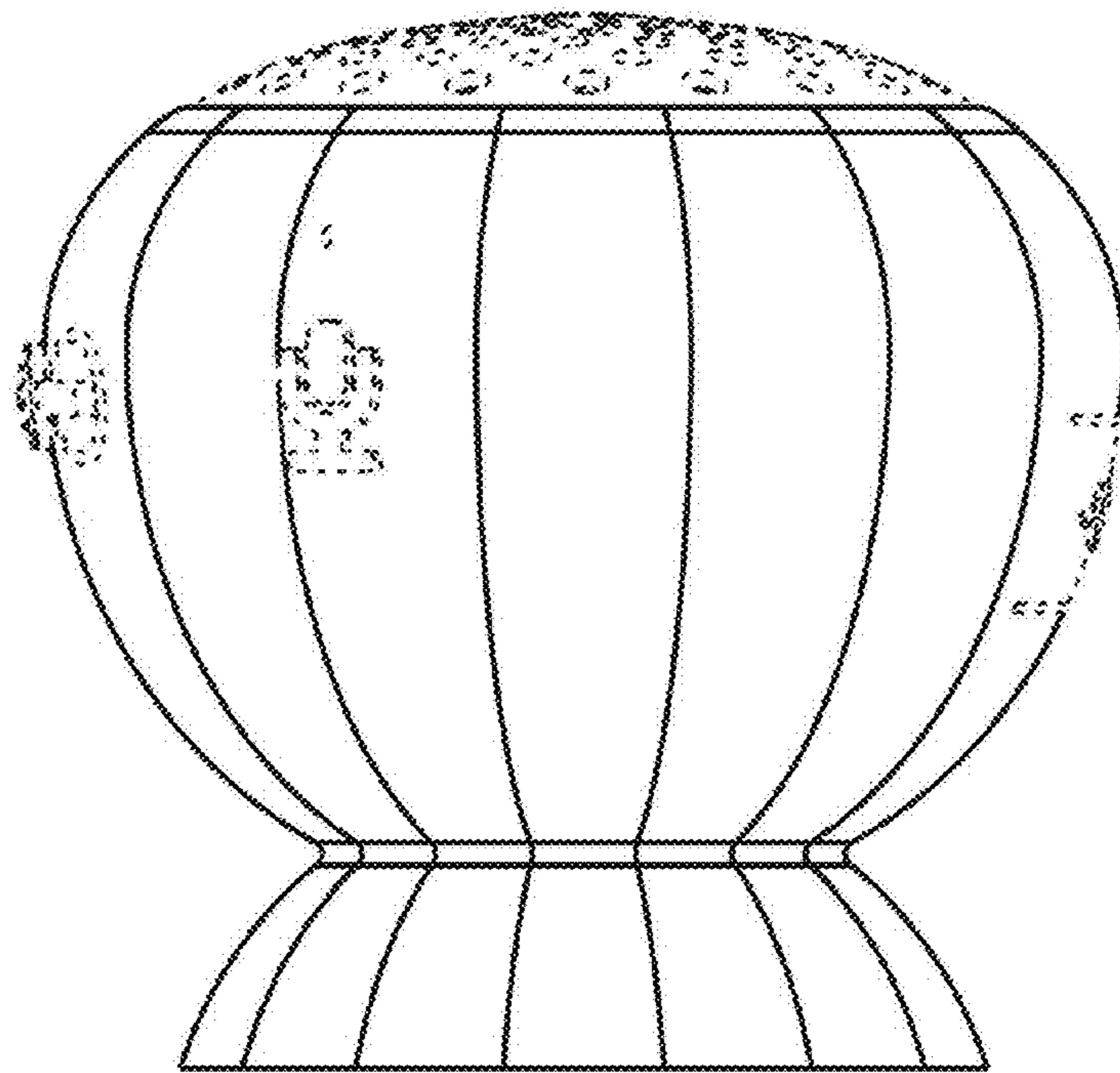


FIG. 5

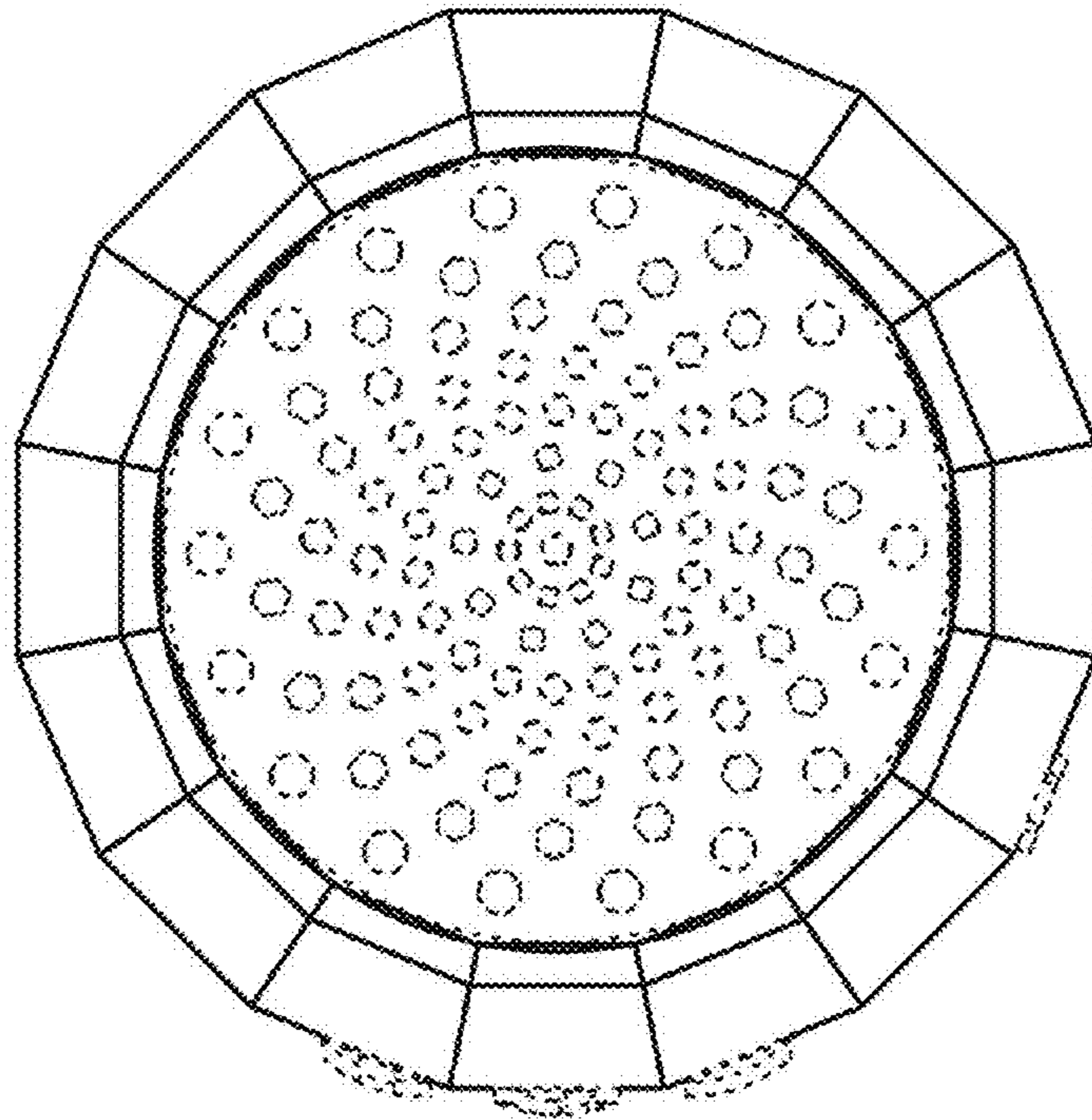


FIG. 6

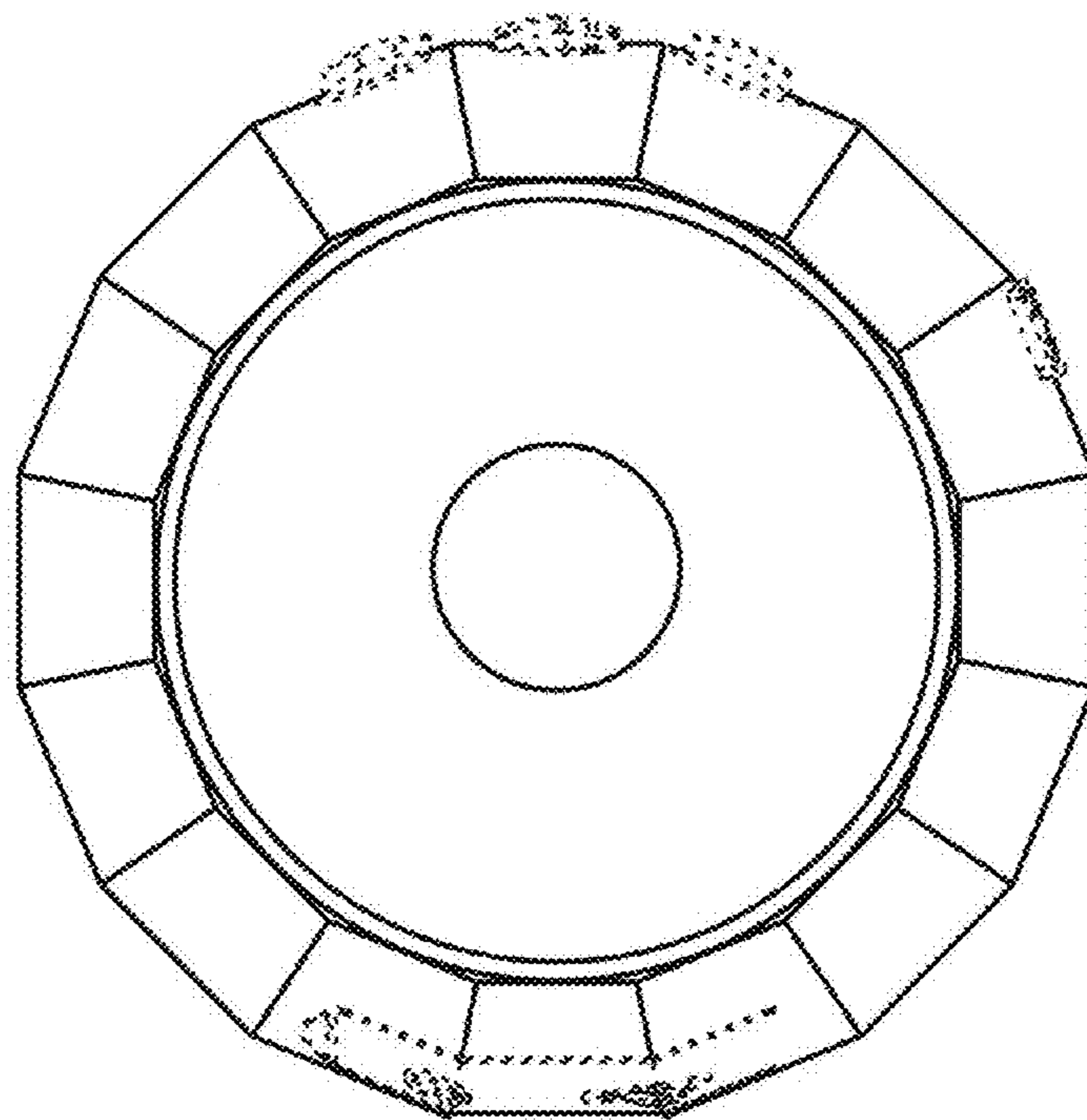


FIG. 7