



US00D735159S

(12) **United States Design Patent**
Yang et al.

(10) **Patent No.:** **US D735,159 S**
(45) **Date of Patent:** **** Jul. 28, 2015**

(54) **TWO-WAY RADIO**

(56) **References Cited**

(71) Applicant: **Tencent Technology (Shenzhen) Company Limited**, Guangdong (CN)

U.S. PATENT DOCUMENTS

(72) Inventors: **Zhe Yang**, Guangdong (CN); **Yaxuan Zhu**, Guangdong (CN); **Leteng Weng**, Guangdong (CN); **Enyuan Yu**, Guangdong (CN)

D203,187 S *	12/1965	Louis	D14/225
D212,850 S *	12/1968	Roberts	D14/155
D249,041 S *	8/1978	Culbertson	D14/225
D250,709 S *	1/1979	Sakaguchi	D14/225
D250,761 S *	1/1979	Vong	D14/189
D346,804 S *	5/1994	Tokiyama	D14/226
D459,718 S *	7/2002	Ma et al.	D14/225
D469,417 S *	1/2003	Hsu	D14/142
D478,886 S *	8/2003	Christianson	D14/507
D481,023 S *	10/2003	Heath	D14/137
D487,276 S *	3/2004	Cobigo	D14/496
D505,936 S *	6/2005	Zeitman	D14/506
D519,099 S *	4/2006	Liu et al.	D14/155
D528,031 S *	9/2006	Kellond	D14/159
D531,159 S *	10/2006	Park	D14/203.3
D532,768 S *	11/2006	Lee	D14/509
D557,252 S *	12/2007	Obata	D14/197
D569,853 S *	5/2008	Nishida	D14/225
D577,713 S *	9/2008	Kim et al.	D14/218

(73) Assignee: **Tencent Technology (Shenzhen) Company Limited**, Shenzhen, Guangdong (CN)

(**) Term: **14 Years**

(21) Appl. No.: **29/475,614**

(22) Filed: **Dec. 4, 2013**

(30) **Foreign Application Priority Data**

Jun. 5, 2013 (CN) 2013 3 0233055

(51) **LOC (10) Cl.** **14-03**

(52) **U.S. Cl.**
USPC **D14/137**

(58) **Field of Classification Search**

USPC D14/137, 496, 135, 139, 157, 188, 191,
D14/192, 194, 195, 197, 198, 257, 258, 155,
D14/256, 147, 218, 341, 342, 343, 344, 345,
D14/346, 347, 138 R, 225, 226, 228, 130,
D14/159, 319, 203.3, 156, 498, 501, 506,
D14/507, 509, 510; D21/516, 517, 329;
D7/605, 326, 363; 361/814; 455/90.1,
455/90.2, 90.3
CPC H04B 1/00; H04B 1/38; H04B 1/3805;
H04B 1/3816; H04B 1/3822; H04B 1/3827;
H04B 1/3833

See application file for complete search history.

(Continued)

Primary Examiner — Jeffrey D Asch
Assistant Examiner — Sanjeev Paul
(74) *Attorney, Agent, or Firm* — Andrus Intellectual Property Law, LLP

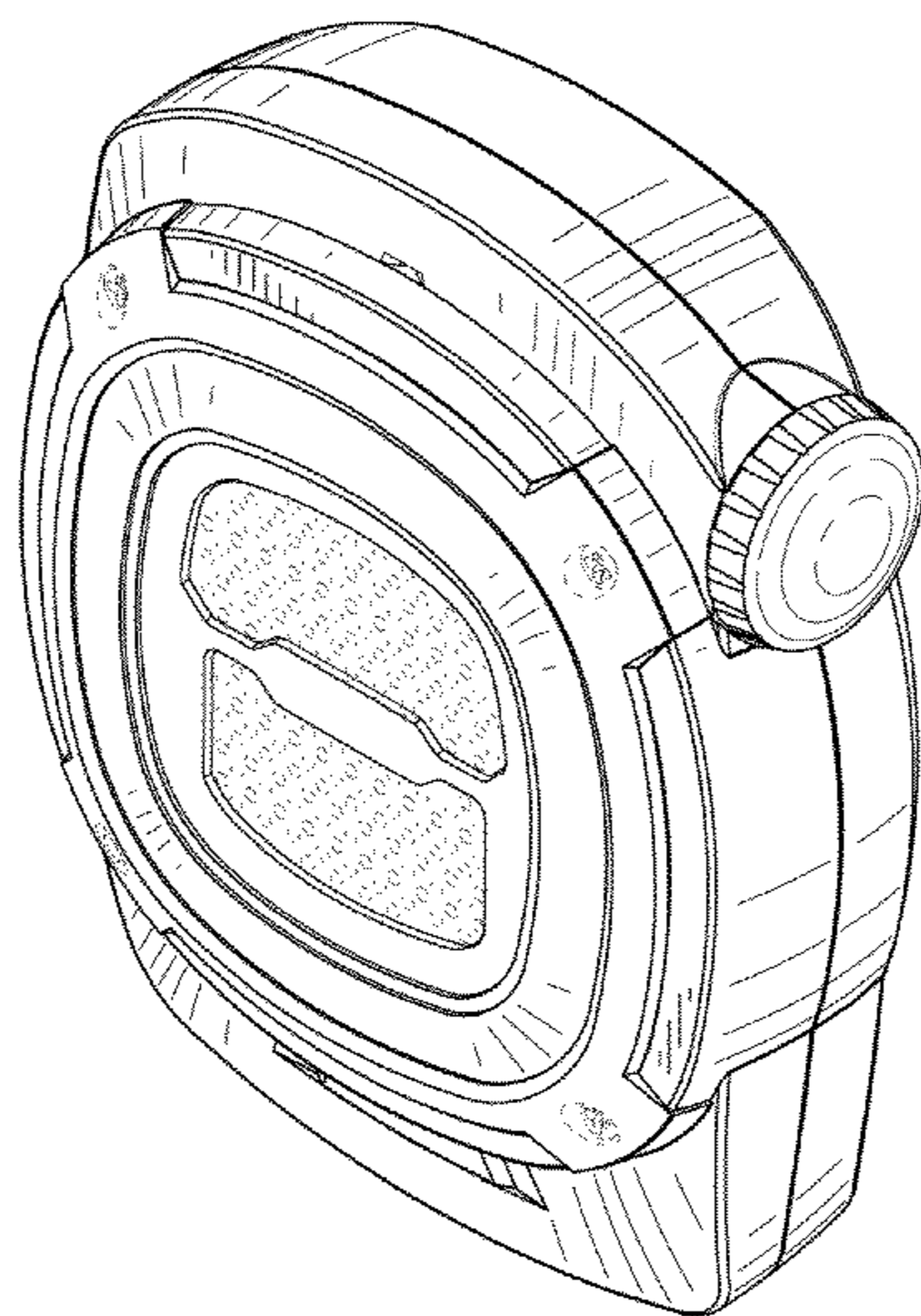
(57) **CLAIM**

The ornamental design for a two-way radio, as shown and described.

DESCRIPTION

FIG. 1 is a front top isometric view of my new design;
FIG. 2 is a front view thereof;
FIG. 3 is a rear view thereof;
FIG. 4 is a right side view thereof;
FIG. 5 is a left side view thereof;
FIG. 6 is a top view thereof; and,
FIG. 7 is a bottom view thereof.
The broken line showing of environmental structures is for illustrative purposes only and forms no part of the claimed design.

1 Claim, 4 Drawing Sheets



US D735,159 S

Page 2

(56)

References Cited

U.S. PATENT DOCUMENTS

D615,533 S	*	5/2010	Emge et al.	D14/225	
D717,291 S	*	11/2014	Klein	D14/255	* cited by examiner
D718,746 S	*	12/2014	Tran et al.	D14/226	
D718,747 S	*	12/2014	Tran et al.	D14/226	
D720,726 S	*	1/2015	Yu	D14/225	

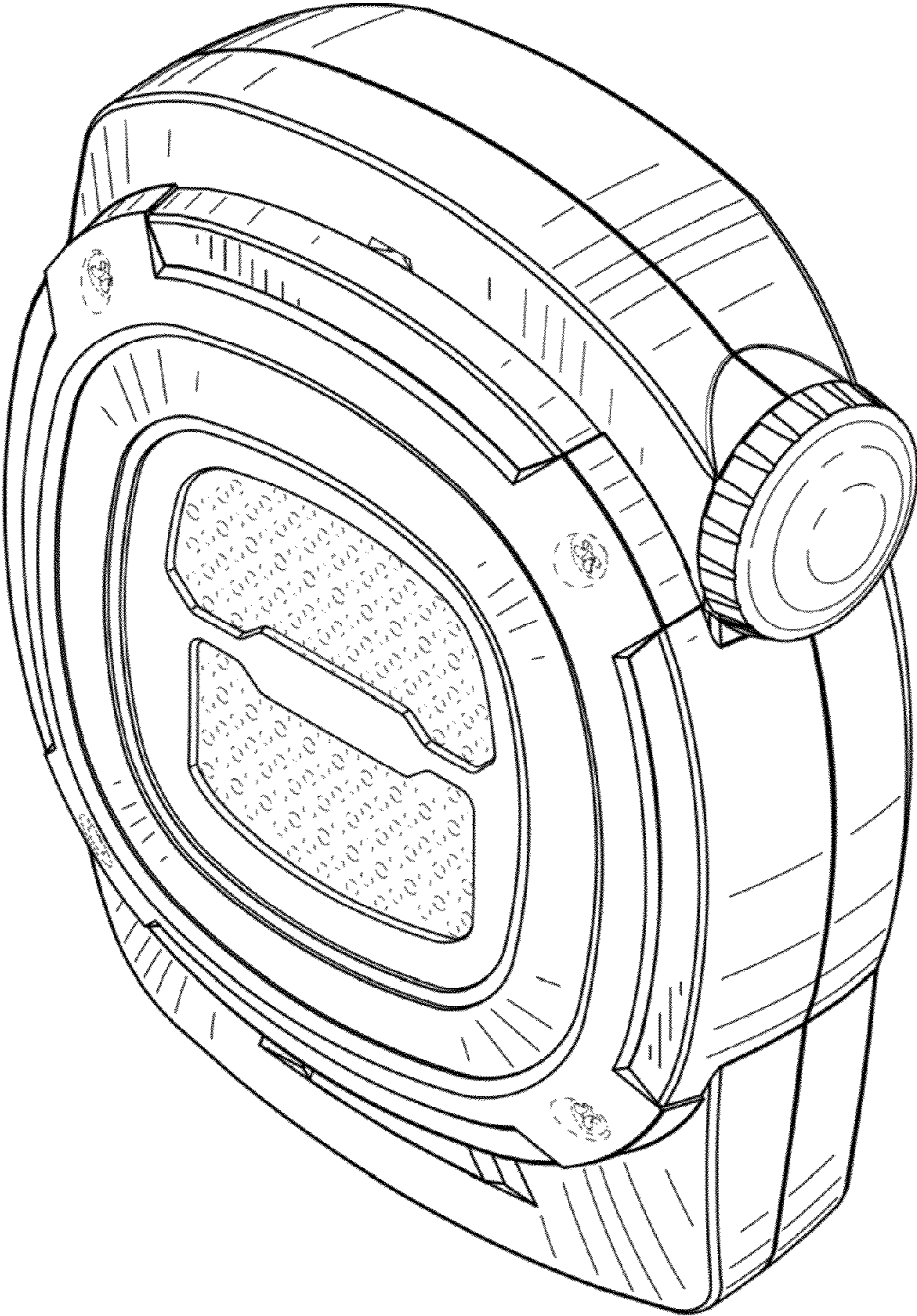


FIG. 1

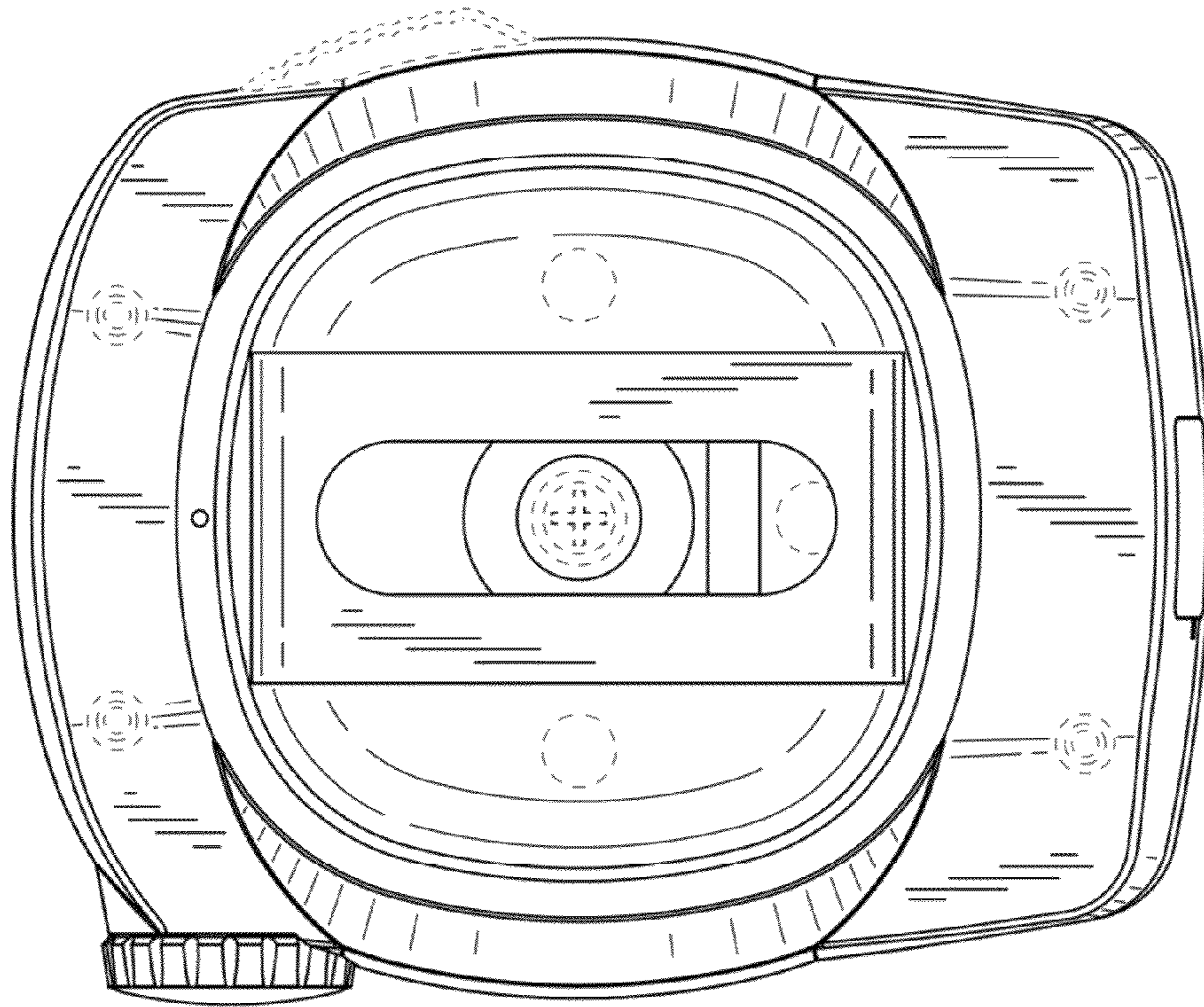


FIG. 3

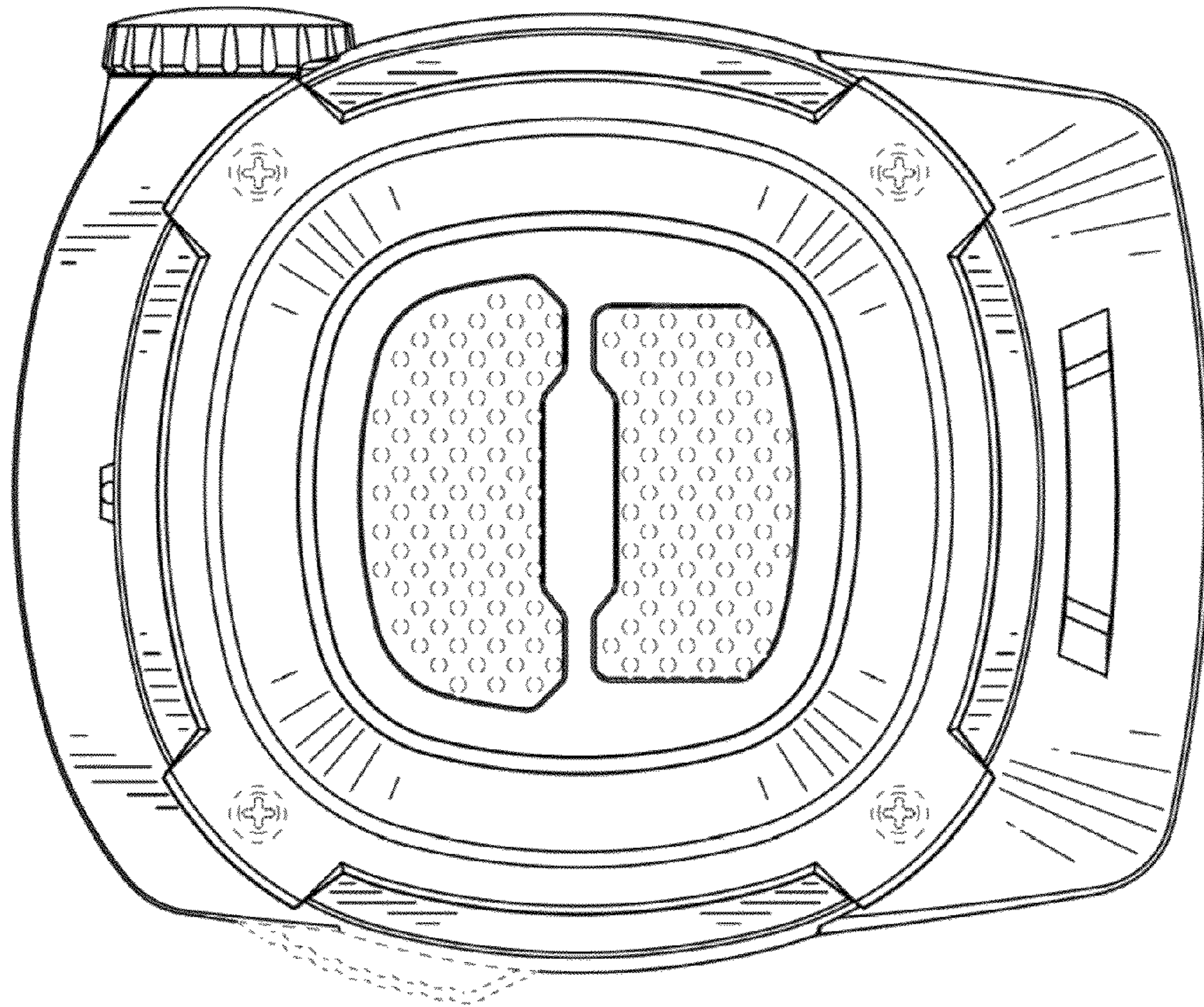


FIG. 2

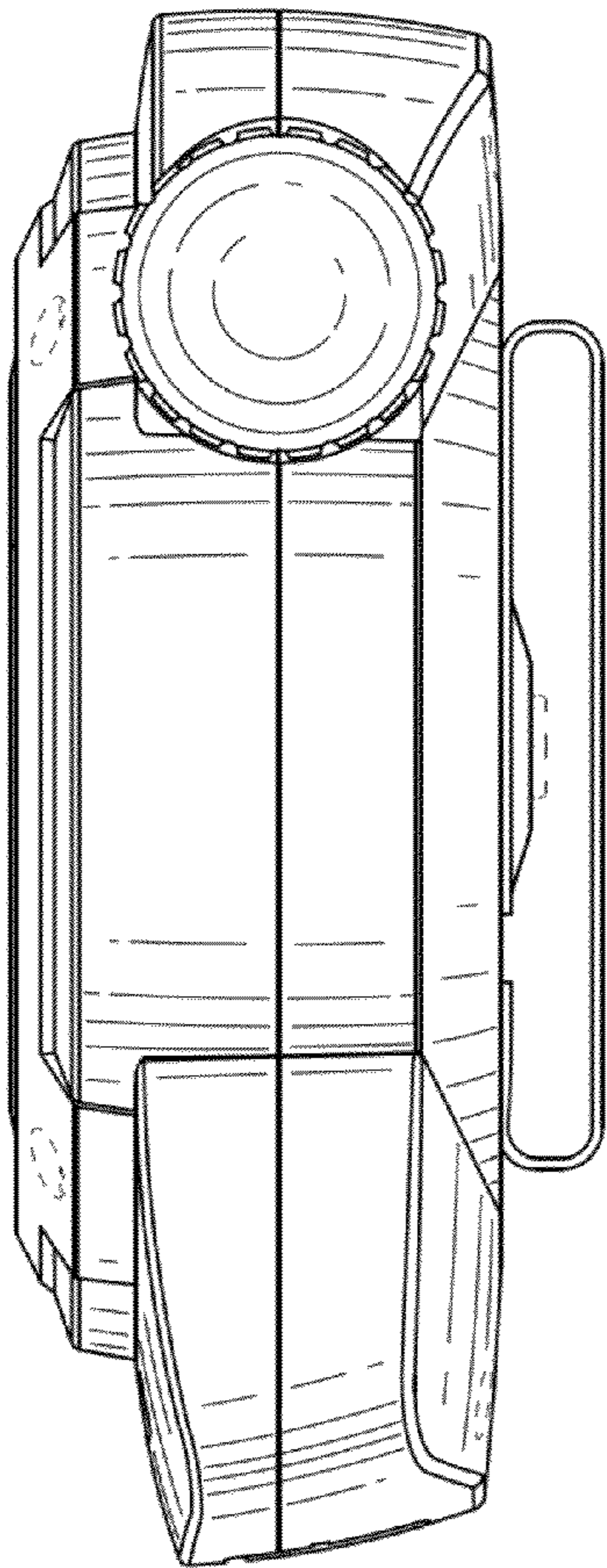


FIG. 4

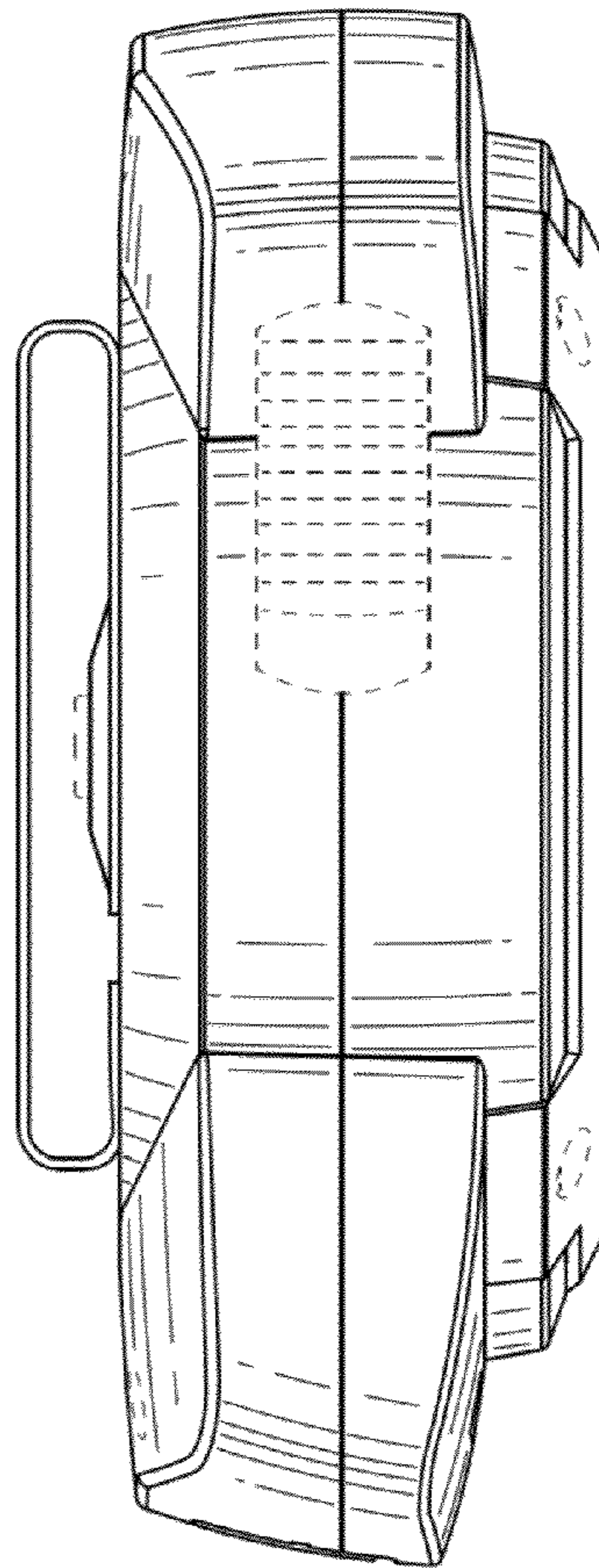


FIG. 5

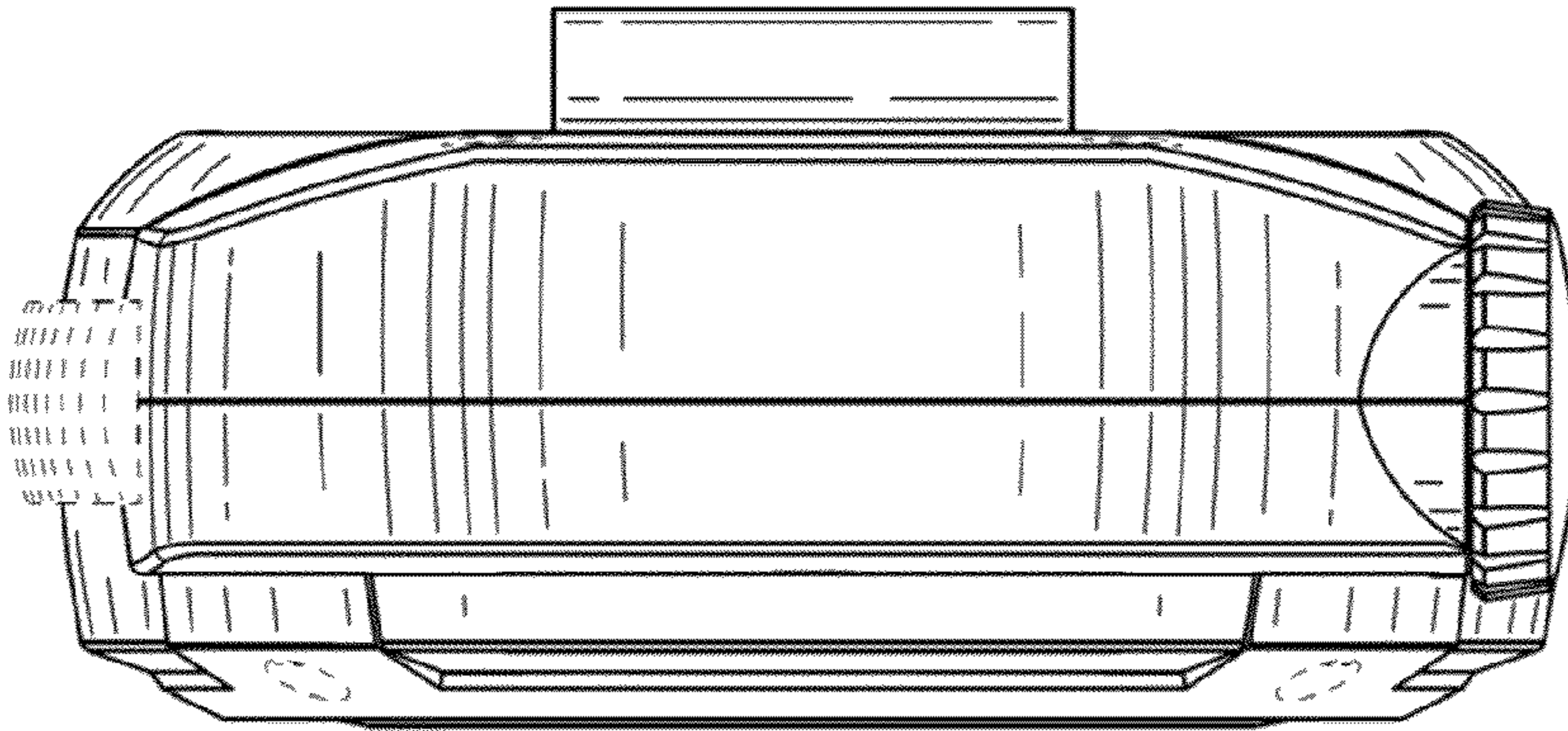


FIG. 6

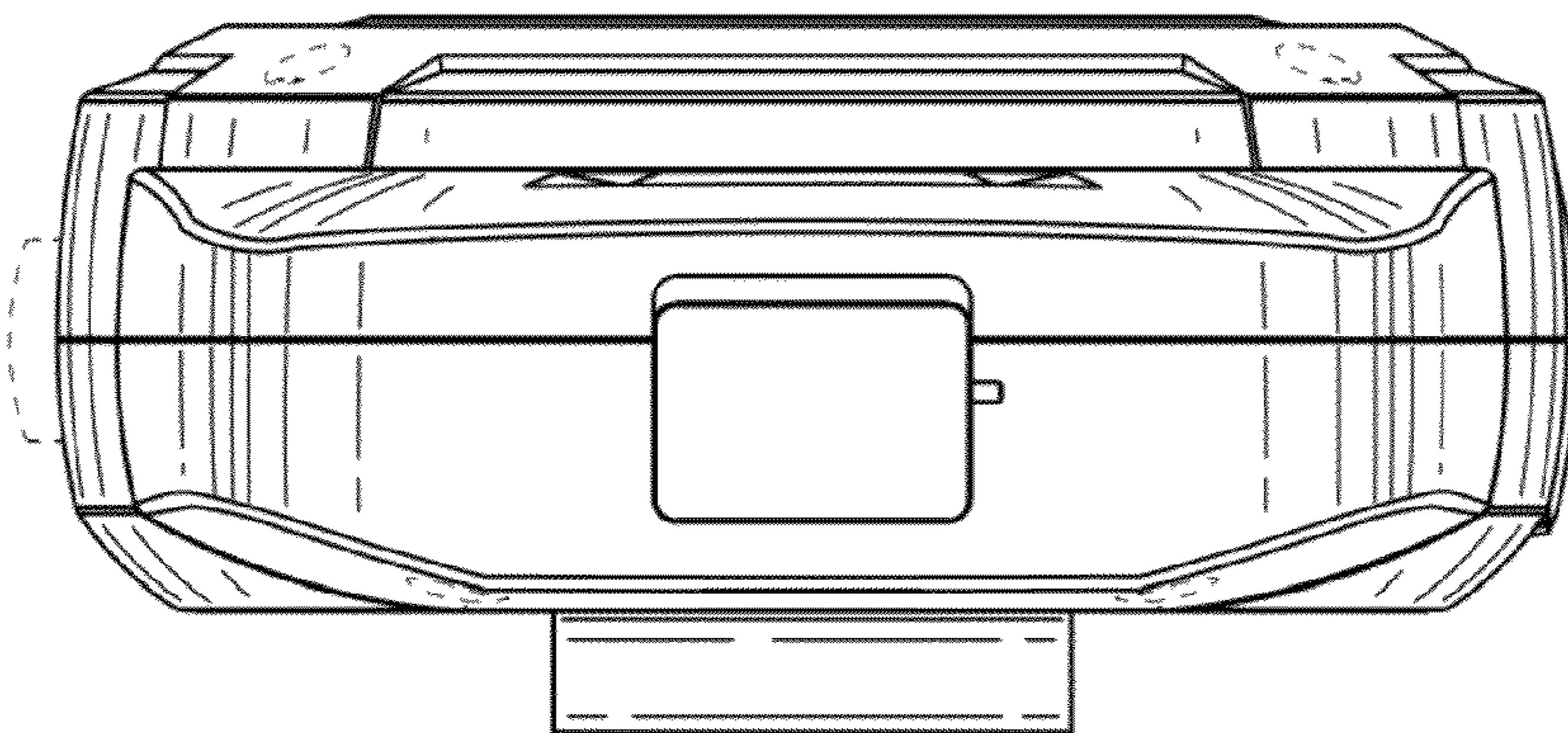


FIG. 7