

US00D735158S

(12) **United States Design Patent**
Zhu et al.

(10) **Patent No.:** **US D735,158 S**
(45) **Date of Patent:** **** Jul. 28, 2015**

(54) **TWO-WAY RADIO**

- (71) Applicant: **Tencent Technology (Shenzhen) Company Limited**, Guangdong (CN)
- (72) Inventors: **Yaxuan Zhu**, Guangdong (CN); **Leteng Weng**, Guangdong (CN)
- (73) Assignee: **Tencent Technology (Shenzhen) Company Limited**, Shenzhen, Guangdong (CN)
- (**) Term: **14 Years**
- (21) Appl. No.: **29/475,609**
- (22) Filed: **Dec. 4, 2013**

(30) **Foreign Application Priority Data**

Jun. 5, 2013 (CN) 2013 3 0232895

(51) **LOC (10) Cl.** **14-03**

(52) **U.S. Cl.**
USPC **D14/137**

(58) **Field of Classification Search**

USPC D14/137, 496, 135, 139, 157, 188, 191, D14/192, 194, 195, 197, 198, 257, 258, 155, D14/256, 147, 218, 341, 342, 343, 344, 345, D14/346, 347, 138 R, 225, 226, 228, 130, D14/159, 319, 203.3, 156, 498, 501, 506, D14/507, 509, 510; D21/516, 517, 329; D7/605, 326, 363; 361/814; 455/90.1, 455/90.2, 90.3

CPC H04B 1/00; H04B 1/38; H04B 1/3805; H04B 1/3816; H04B 1/3822; H04B 1/3827; H04B 1/3833

See application file for complete search history.

(56) **References Cited**

U.S. PATENT DOCUMENTS

D248,759 S *	8/1978	Eckmann et al.	D14/191
D263,709 S *	4/1982	Ando	D14/155
D272,243 S *	1/1984	Scheid	D14/191
D276,158 S *	10/1984	Lee et al.	D14/192
D281,600 S *	12/1985	Claxton et al.	D14/191
D288,683 S *	3/1987	Bostler et al.	D14/217
D291,310 S *	8/1987	Ogura	D14/191
D293,088 S *	12/1987	Brown et al.	D10/106.1
D303,667 S *	9/1989	Scheid et al.	D14/191
D321,880 S *	11/1991	Emmerling	D14/192
D326,853 S *	6/1992	Ogasawara	D14/188
D329,431 S *	9/1992	Wood	D14/155
D339,348 S *	9/1993	Kuroda et al.	D14/191
D350,133 S *	8/1994	Kanno	D14/198
D400,535 S *	11/1998	Liu	D14/191
D401,238 S *	11/1998	Shiono	D14/191
D416,905 S *	11/1999	Laskin et al.	D14/192

(Continued)

Primary Examiner — Jeffrey D Asch
Assistant Examiner — Sanjeev Paul
 (74) *Attorney, Agent, or Firm* — Andrus Intellectual Property Law, LLP

(57) **CLAIM**

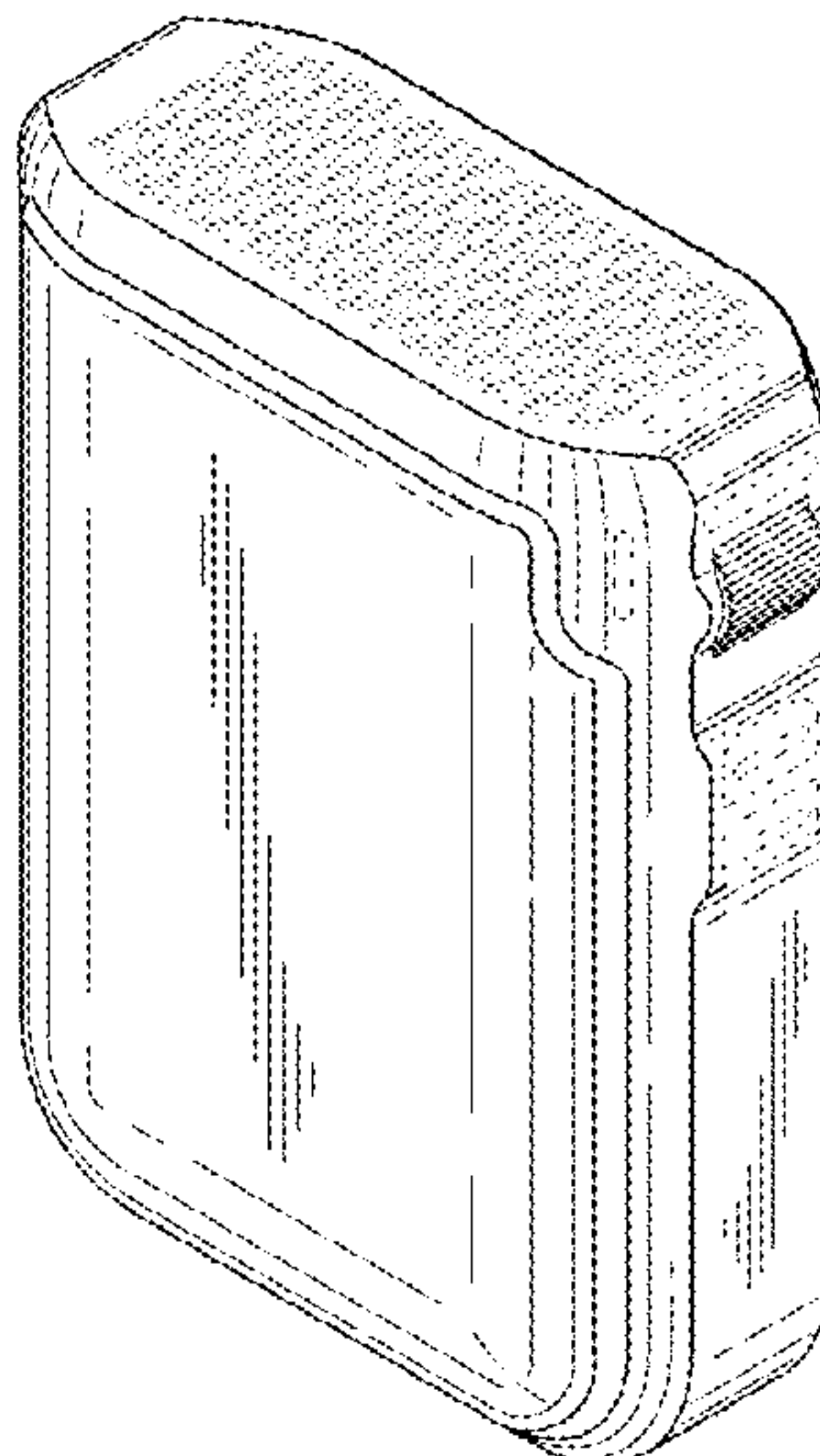
The ornamental design for a two-way radio, as shown and described.

DESCRIPTION

FIG. 1 is a top front isometric view of my new design; FIG. 2 is a front view thereof; FIG. 3 is a rear view thereof; FIG. 4 is a right side view thereof; FIG. 5 is a left side view thereof; FIG. 6 is a top view thereof; and, FIG. 7 is a bottom view thereof.

The broken lines shown in the figures that are immediately adjacent to the shaded areas and define regions that are unshaded represent the bounds of the claim, while all other broken lines are directed to portions of the two-way radio that do not form a part of the claimed design. The broken lines form no part of the claimed design.

1 Claim, 4 Drawing Sheets



US D735,158 S

Page 2

(56)

References Cited

U.S. PATENT DOCUMENTS

D428,870 S *	8/2000	Hayashi et al.	D14/165	
D448,019 S *	9/2001	Cebe et al.	D14/225	* cited by examiner
D621,818 S *	8/2010	Johnson	D14/225	
D660,827 S *	5/2012	Sakata	D14/225	
D715,761 S *	10/2014	Kim et al.	D14/193	

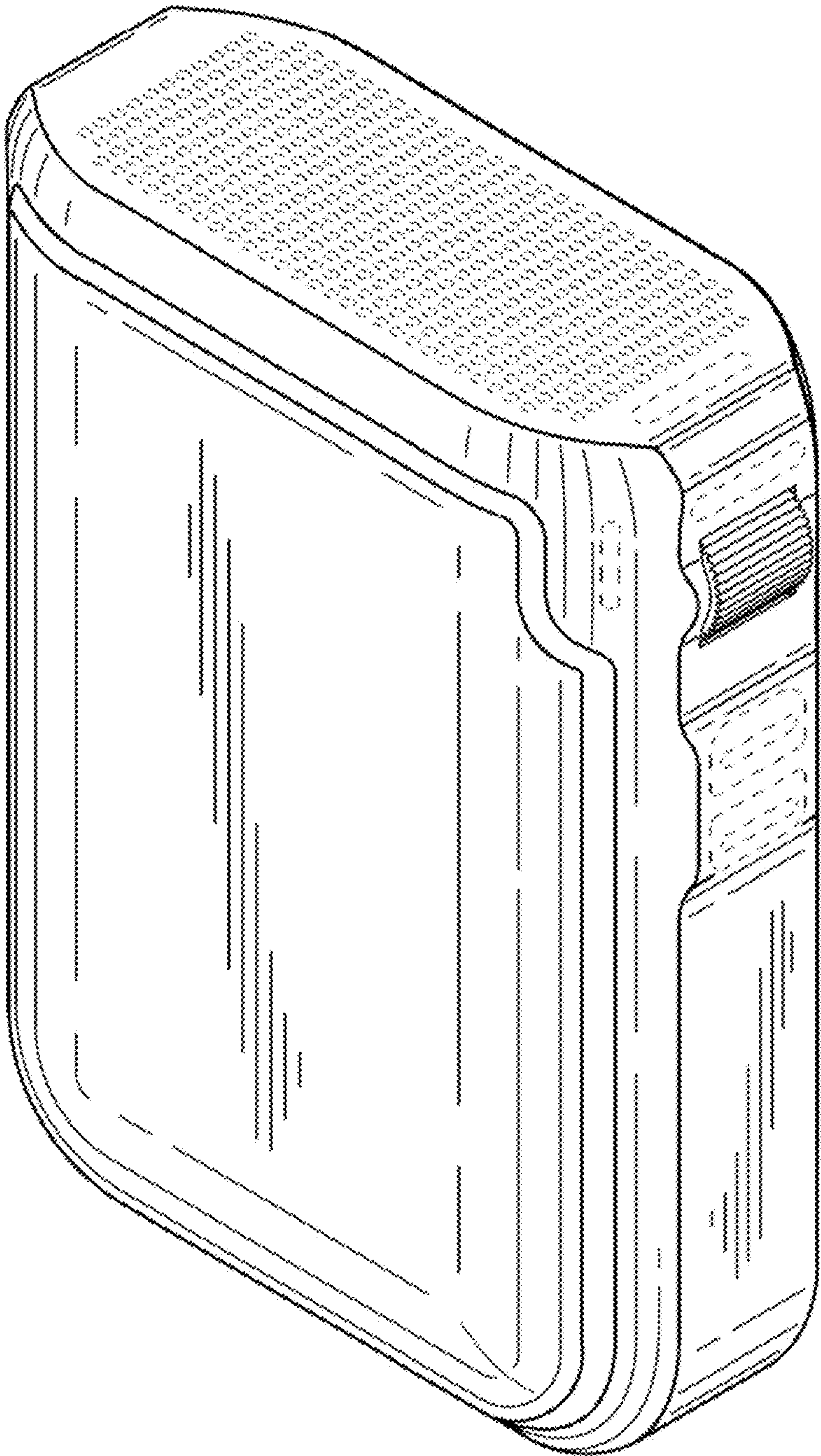


FIG. 1

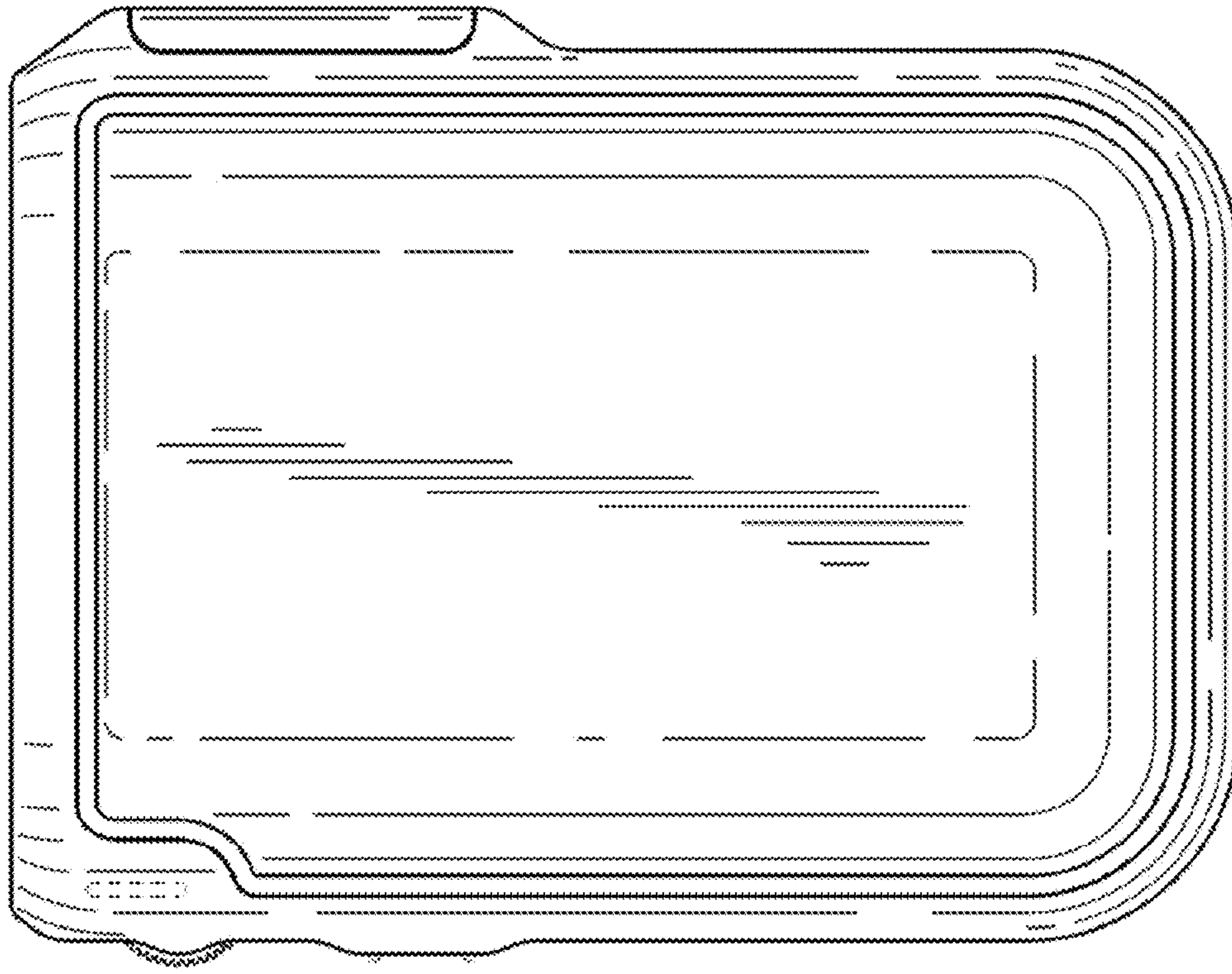


FIG. 3

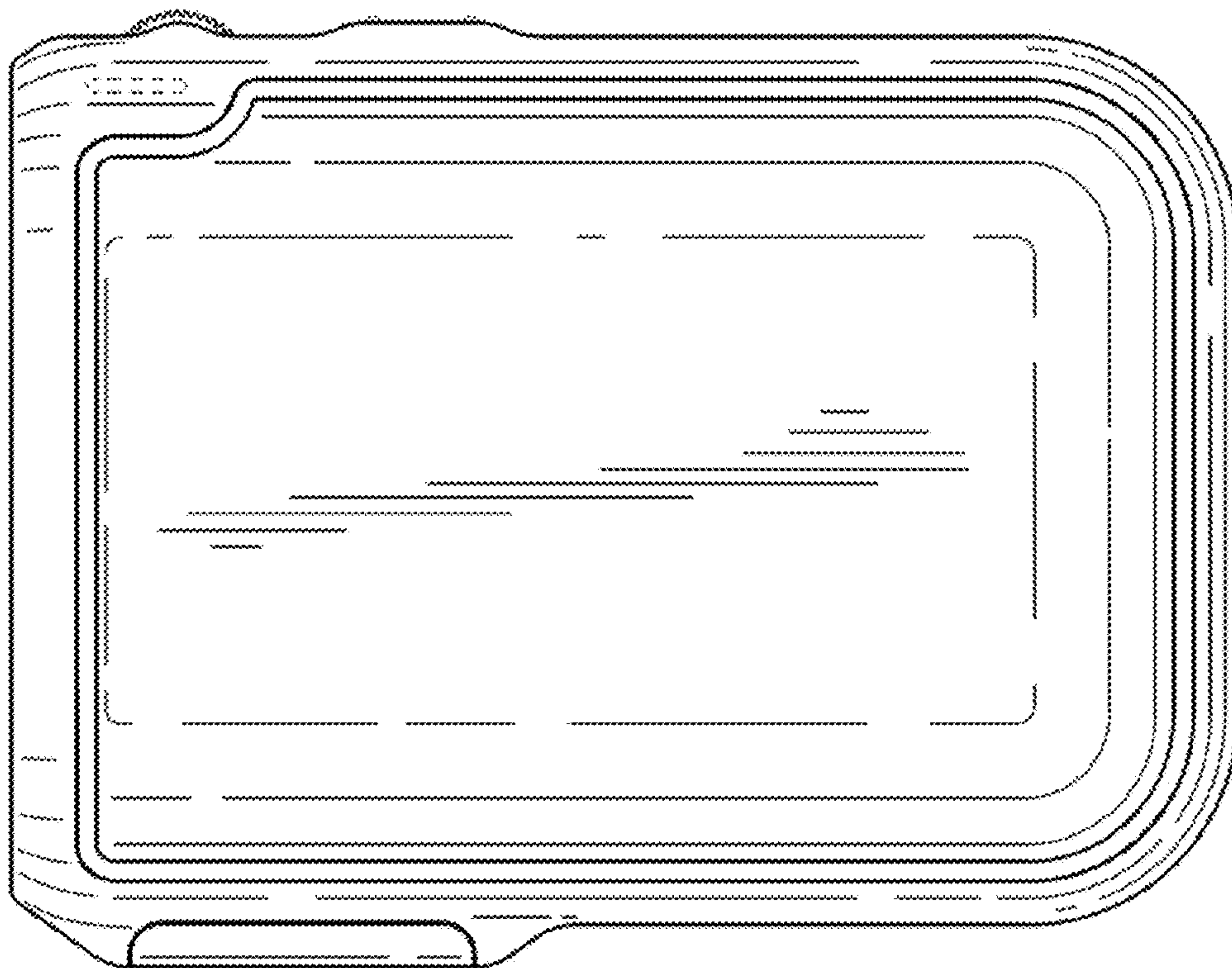


FIG. 2

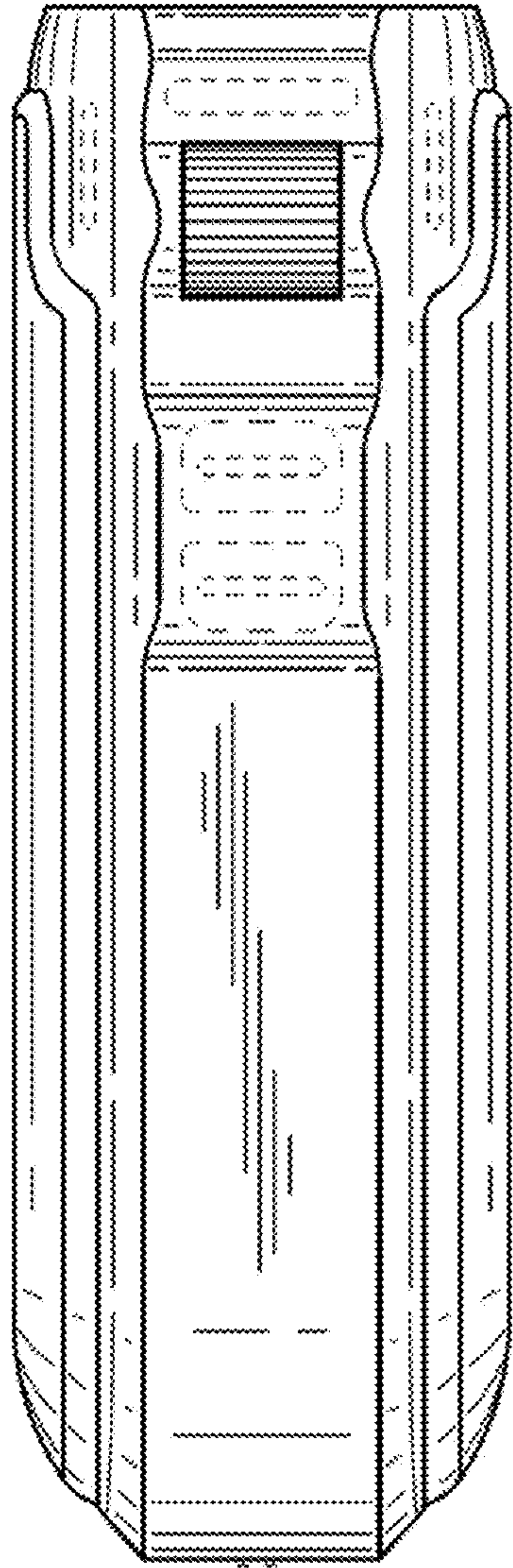


FIG. 4

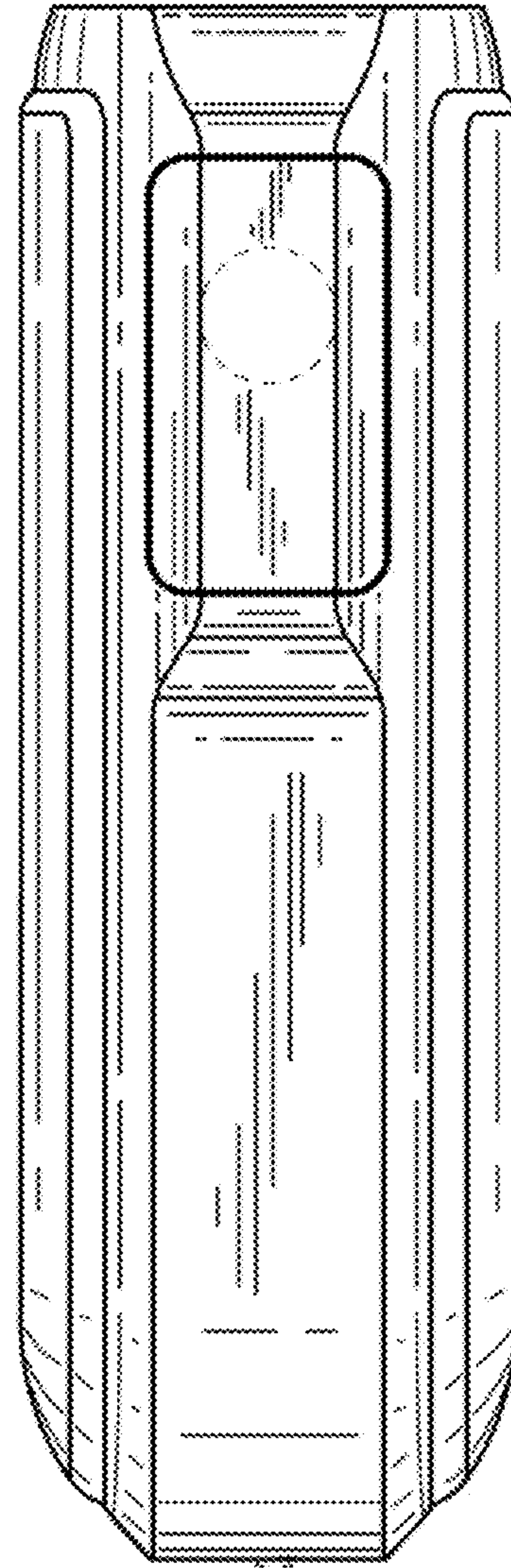


FIG. 5

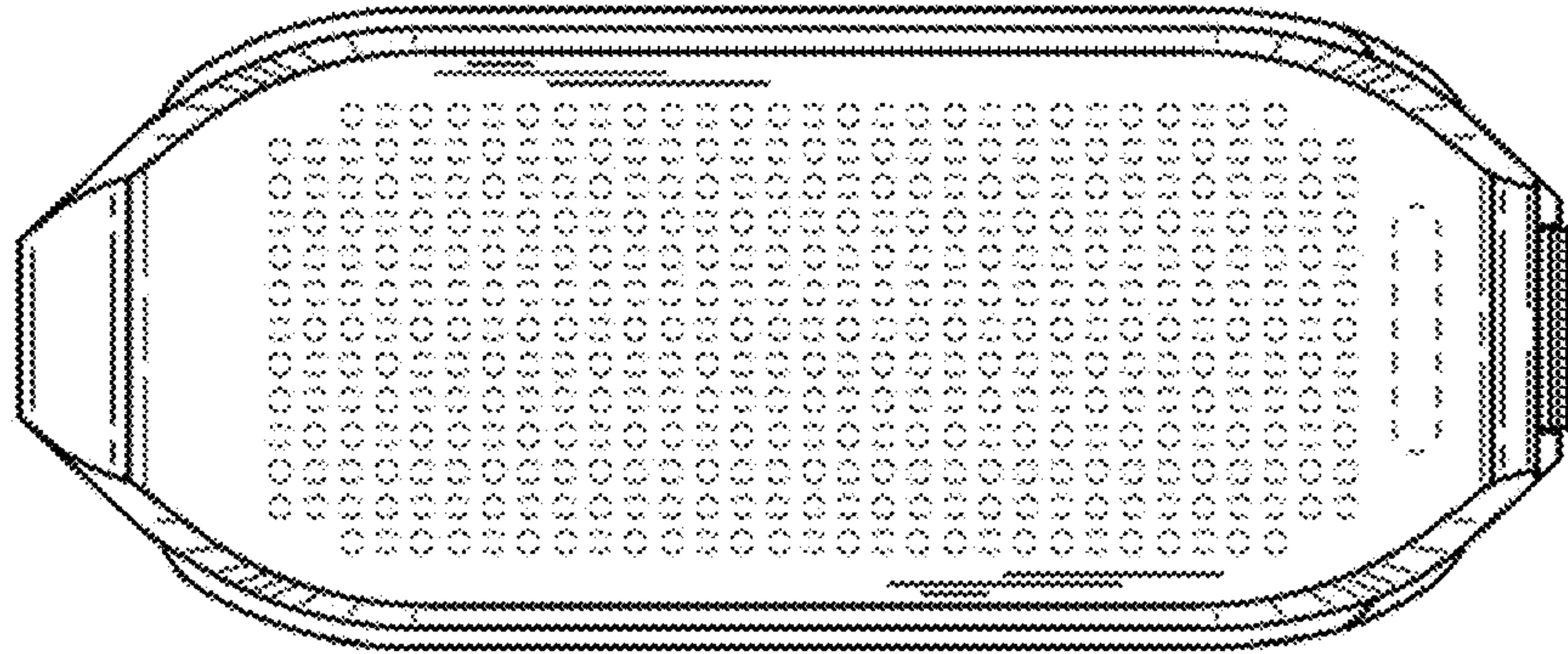


FIG. 6

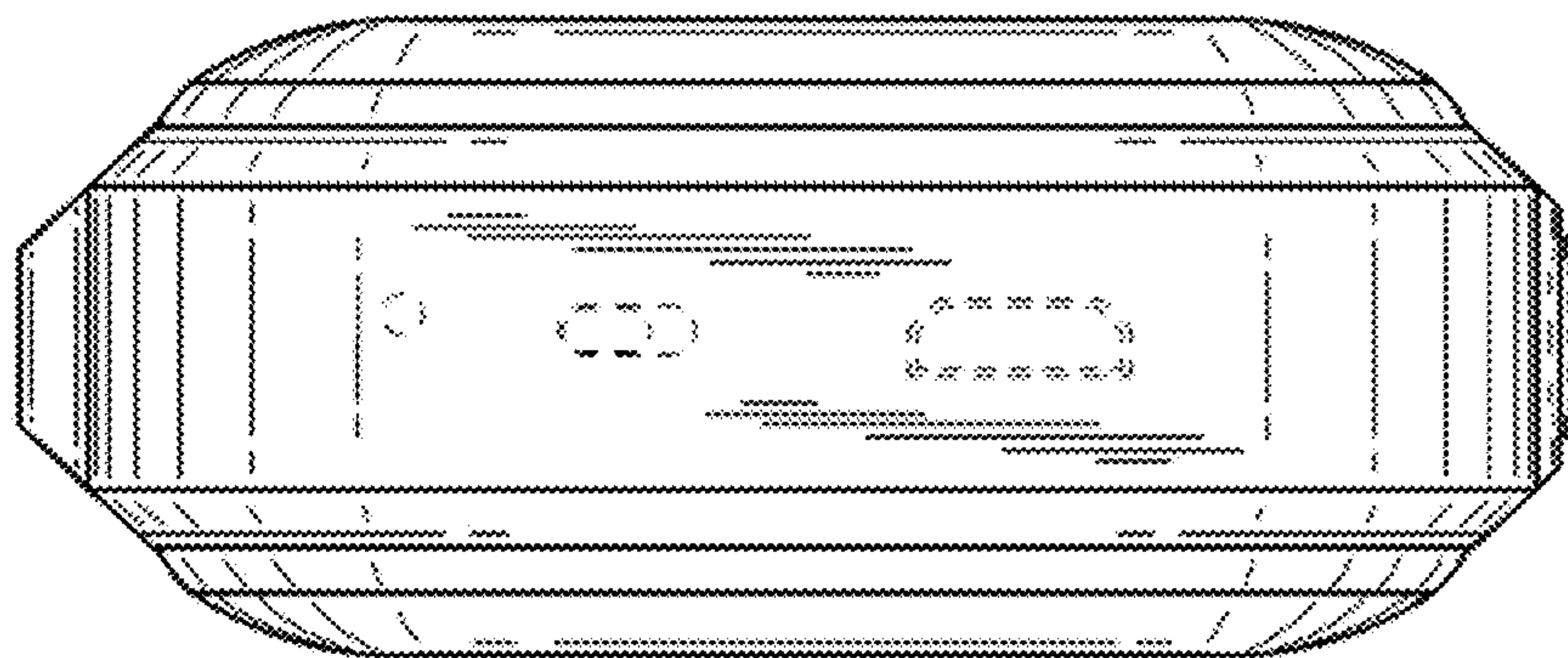


FIG. 7