



US00D735157S

(12) **United States Design Patent**
Moriya et al.

(10) **Patent No.:** **US D735,157 S**
(45) **Date of Patent:** **** Jul. 28, 2015**

(54) **PORTABLE WIRELESS COMMUNICATION DEVICE**

(71) Applicant: **JVC Kenwood Corporation**, Kanagawa (JP)

(72) Inventors: **Katsuhiko Moriya**, Tokyo (JP);
Toyohito Yamamoto, Tokyo (JP)

(73) Assignee: **JVC KENWOOD CORPORATION**, Kanagawa (JP)

(**) Term: **14 Years**

(21) Appl. No.: **29/467,613**

(22) Filed: **Sep. 20, 2013**

(51) **LOC (10) Cl.** **14-03**

(52) **U.S. Cl.**
USPC **D14/137**

(58) **Field of Classification Search**
USPC D14/137, 496, 135, 139, 157, 188, 191, D14/192, 194, 195, 197, 198, 257, 258, 155, D14/256, 147, 218, 341, 342, 343, 344, 345, D14/346, 347, 138 R, 225, 226, 228, 130, D14/159, 319, 203.3, 156, 498, 501, 506, D14/507, 509, 510; D21/516, 517, 329; D7/605, 326, 363; 361/814; 455/90.1, 455/90.2, 90.3
CPC H04B 1/00; H04B 1/38; H04B 1/3805; H04B 1/3816; H04B 1/3822; H04B 1/3827; H04B 1/3833
See application file for complete search history.

(56) **References Cited**

U.S. PATENT DOCUMENTS

D176,480 S * 12/1955 Petertil D14/194
D240,331 S * 6/1976 Okada D14/194
D510,734 S * 10/2005 Christianson D14/155
D514,563 S * 2/2006 Kuramashi et al. D14/358

D519,522 S * 4/2006 Lee D14/203.7
D526,993 S * 8/2006 Richards et al. D14/188
D531,156 S * 10/2006 Ahn et al. D14/138 C
D532,406 S * 11/2006 Lee D14/188
7,142,900 B1 * 11/2006 Straub 455/701
D536,703 S * 2/2007 Kim D14/203.7
D540,290 S * 4/2007 Haase et al. D14/137
D557,279 S * 12/2007 Kim D14/496
D568,276 S * 5/2008 Ikeda et al. D14/365
D587,265 S * 2/2009 Maiers et al. D14/480.6
D606,549 S * 12/2009 He D14/480.7
D612,830 S * 3/2010 Kim et al. D14/138 G
D681,000 S * 4/2013 Koh et al. D14/203.4
D681,054 S * 4/2013 Koh et al. D14/496
D716,755 S * 11/2014 Yong et al. D14/188

* cited by examiner

Primary Examiner — Jeffrey D Asch

Assistant Examiner — Sanjeev Paul

(74) *Attorney, Agent, or Firm* — Osha Liang LLP

(57) **CLAIM**

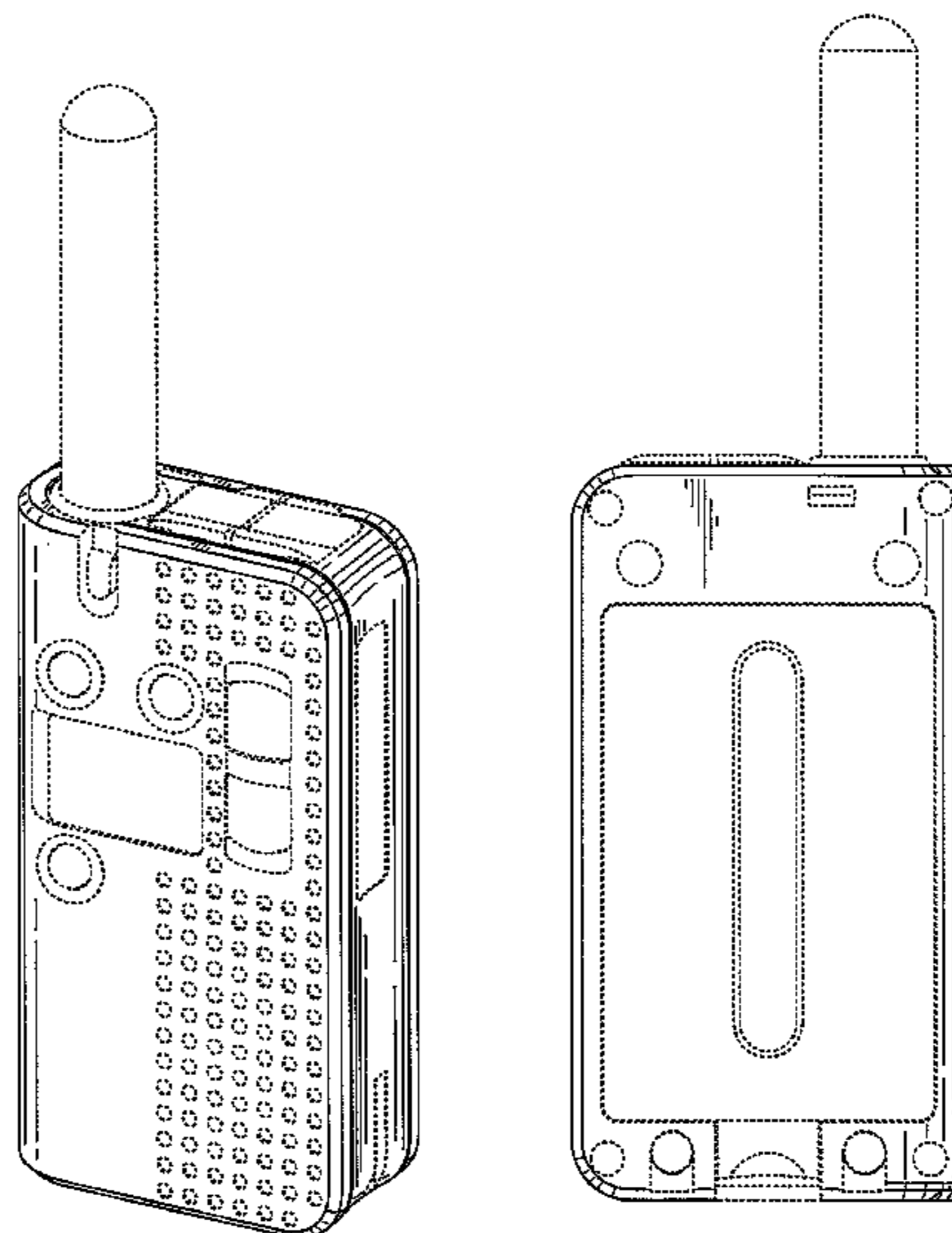
The ornamental design for a portable wireless communication device, as shown and described.

DESCRIPTION

FIG. 1 is a perspective view of front, right and top of portable wireless communication device showing our new design; FIG. 2 is a front view thereof; FIG. 3 is a rear view thereof; FIG. 4 is a left side view thereof; FIG. 5 is a right side view thereof; FIG. 6 is a top view thereof; and, FIG. 7 is a bottom view thereof.

The broken lines shown in the figures that are immediately adjacent to the shaded areas and define regions that are unshaded, represent the bounds of the claim, while all other broken lines are directed to portions of the portable wireless communication device that do not form a part of the claimed design. The broken lines form no part of the claimed design.

1 Claim, 4 Drawing Sheets



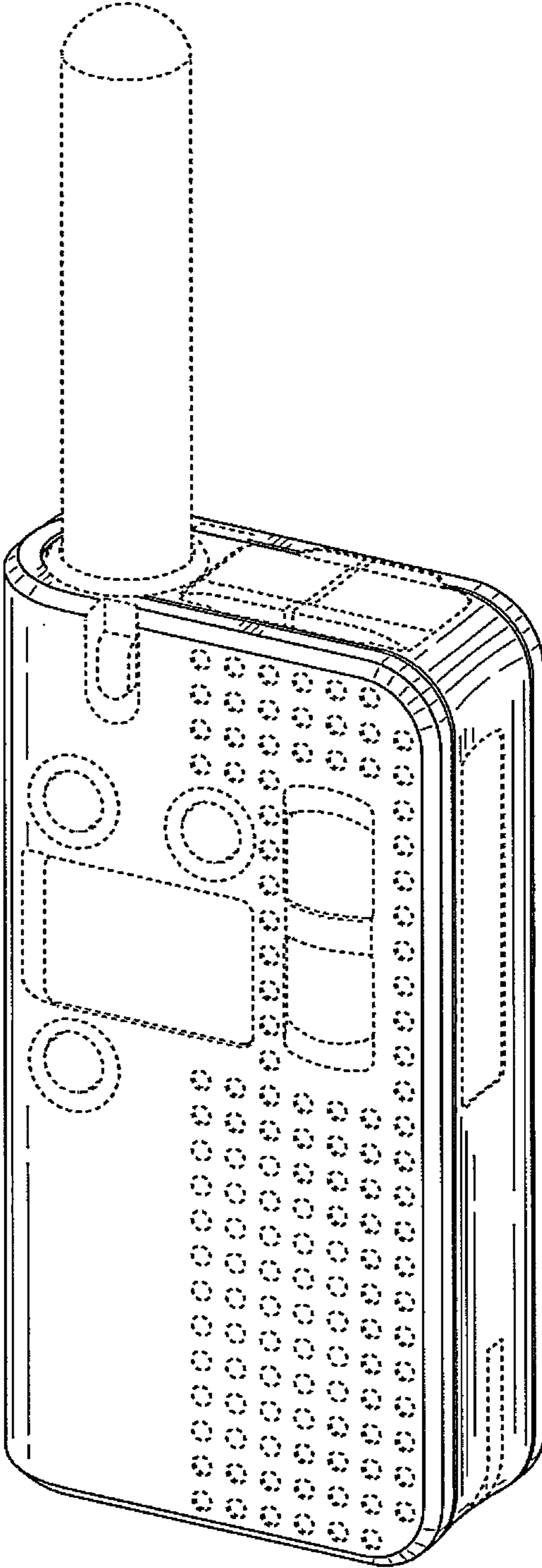


FIG. 1

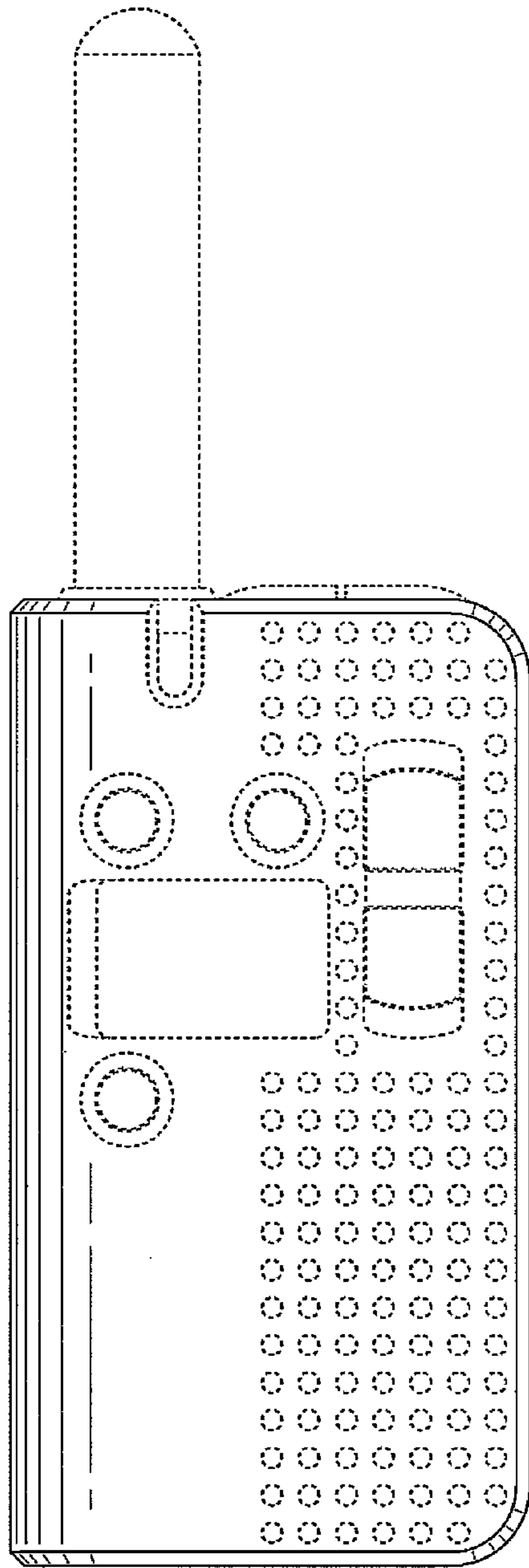


FIG. 2

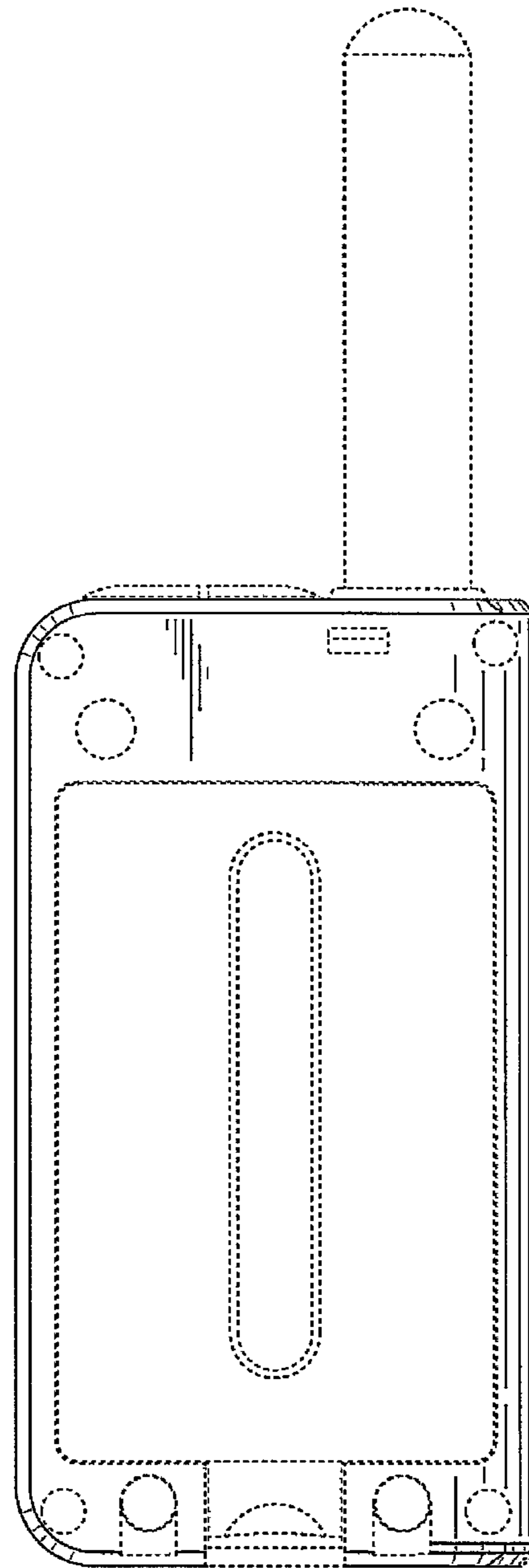


FIG. 3

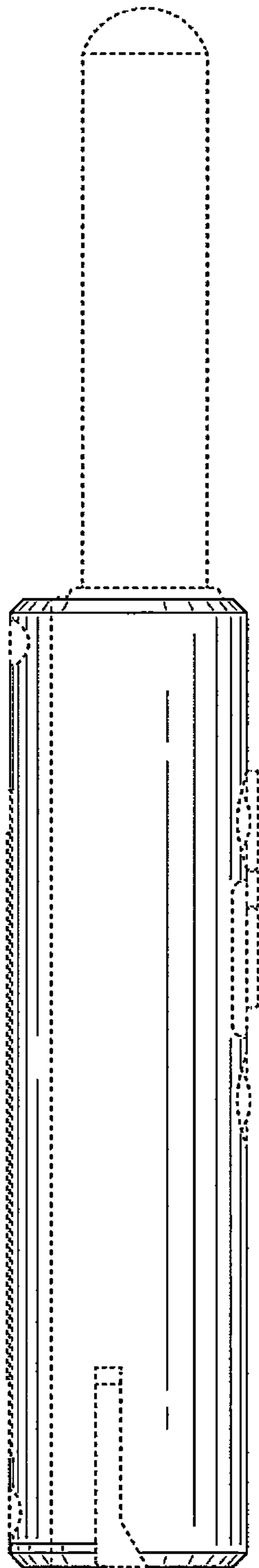


FIG. 4

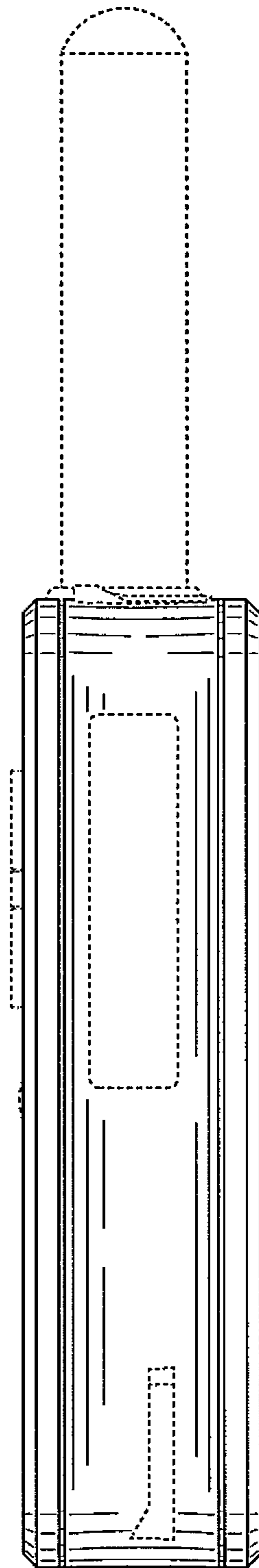


FIG. 5

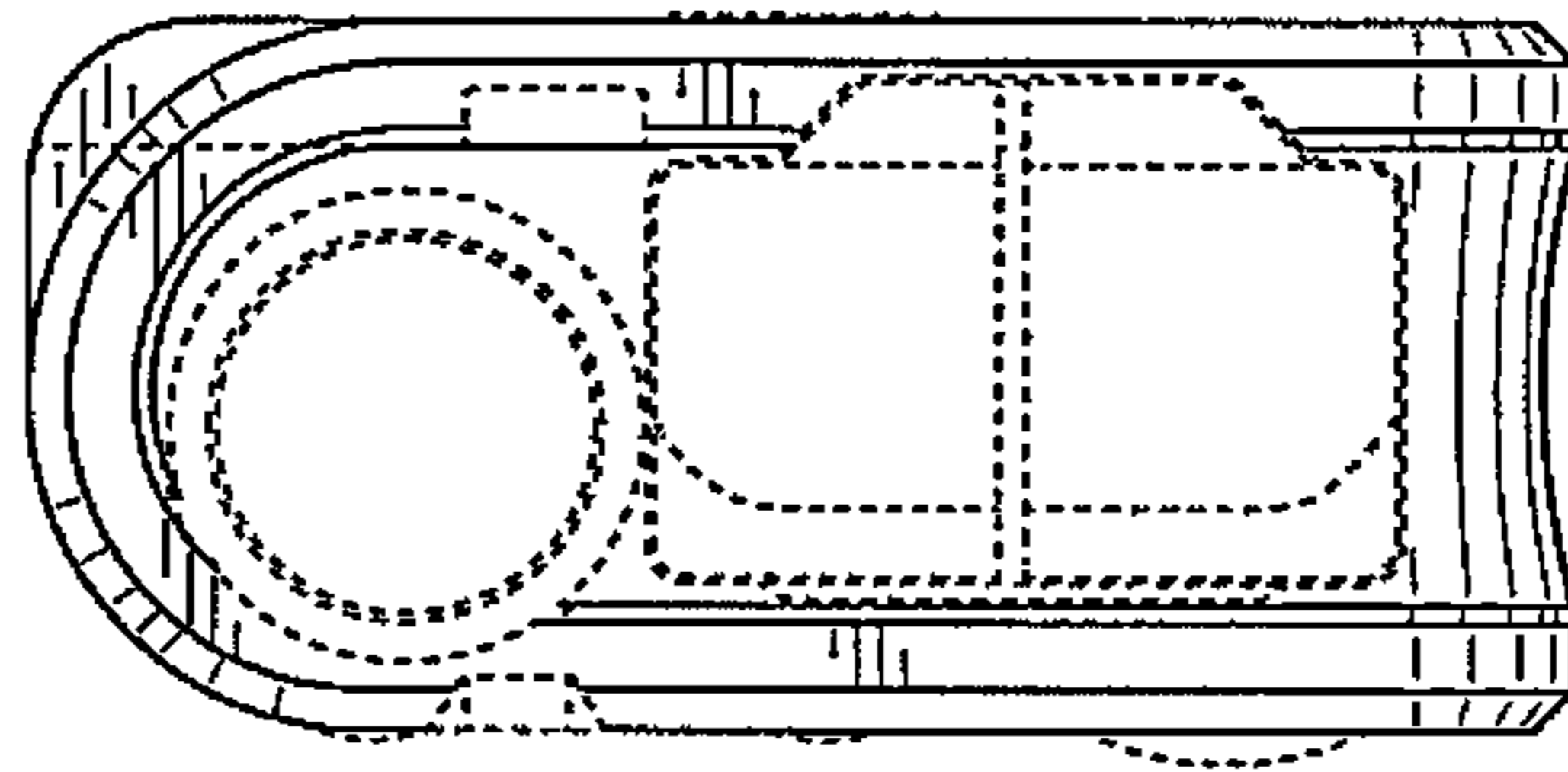


FIG. 6

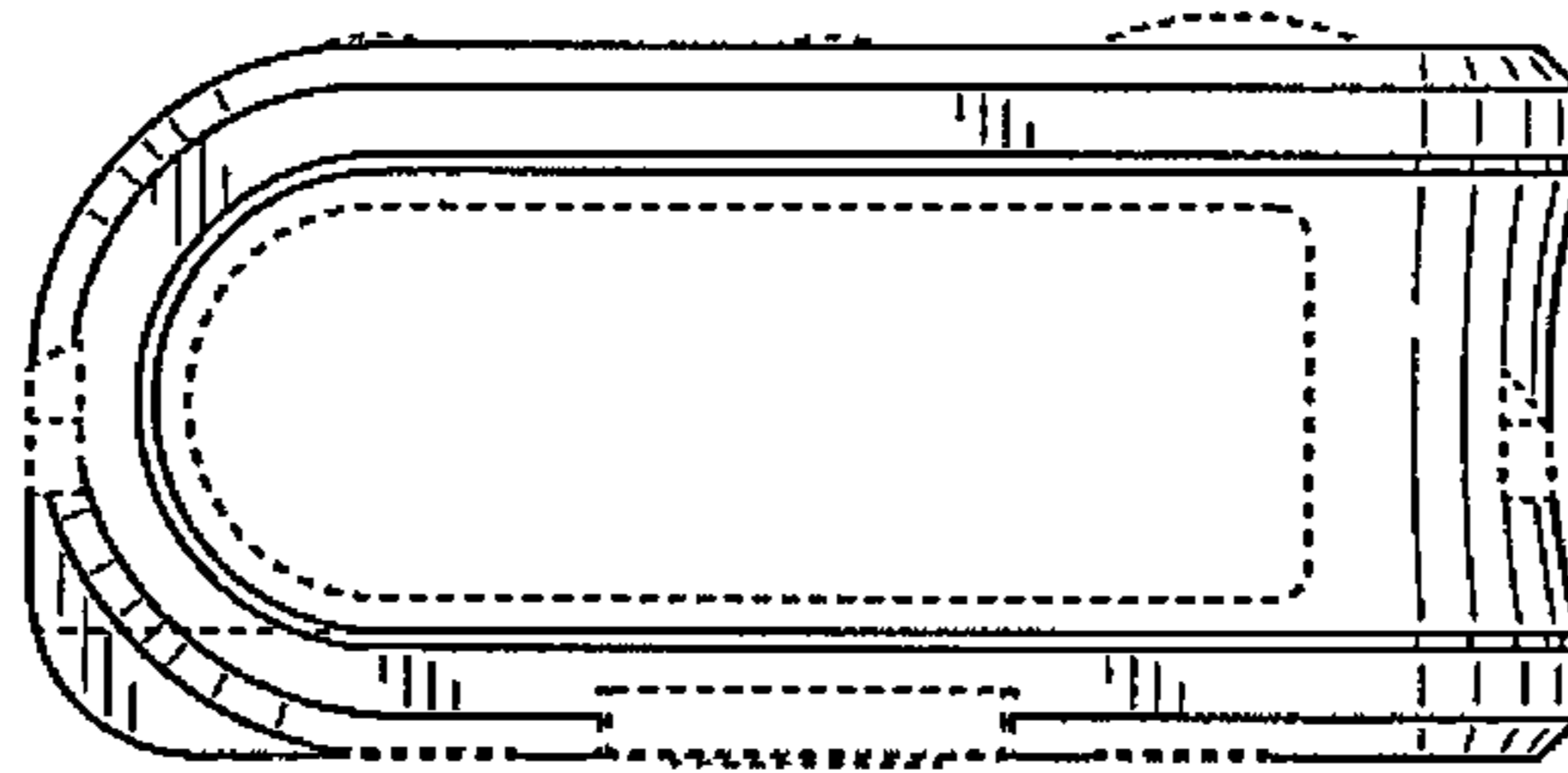


FIG. 7