



US00D735156S

(12) **United States Design Patent**
Kim et al.

(10) **Patent No.:** **US D735,156 S**
(45) **Date of Patent:** **** Jul. 28, 2015**

- (54) **TELEVISION RECEIVER**
- (71) Applicant: **LG Electronics Inc.**, Seoul (KR)
- (72) Inventors: **Taeho Kim**, Seoul (KR); **Byungmu Huh**, Seoul (KR); **Yoonkyeong Lee**, Seoul (KR)
- (73) Assignee: **LG Electronics Inc.**, Seoul (KR)
- (**) Term: **14 Years**
- (21) Appl. No.: **29/473,301**
- (22) Filed: **Nov. 21, 2013**
- (30) **Foreign Application Priority Data**
 - May 22, 2013 (KR) 30-2013-0026589
- (51) **LOC (10) Cl.** **14-03**
- (52) **U.S. Cl.**
USPC **D14/126**
- (58) **Field of Classification Search**
 - USPC D14/125-134, 239, 371, 342, 374-377, D14/450, 448, 336, 159, 509, 510; D6/300; D10/15, 26; D21/329, 515, 577, 333, D21/331; D16/200, 208; 312/7.2; 248/917-924, 465; 446/484, 175; 345/104, 156, 168, 87, 173; 348/836, 348/838, 180, 184, 325, 739, 207.1, 333.07, 348/374
 - CPC H04N 5/77; H04N 5/772; H04N 5/645; H04N 5/4403; H04N 5/2257

See application file for complete search history.

D700,594	S	*	3/2014	Lee et al.	D14/239
D714,747	S	*	10/2014	Kim et al.	D14/126
8,860,772	B2	*	10/2014	Yamada	348/14.03
D717,756	S	*	11/2014	Park et al.	D14/126
D718,730	S	*	12/2014	Andresen et al.	D14/126
D719,119	S	*	12/2014	Park et al.	D14/126
D719,120	S	*	12/2014	Park et al.	D14/126
D720,316	S	*	12/2014	Huh et al.	D14/126
D720,709	S	*	1/2015	Lee et al.	D14/126
D721,049	S	*	1/2015	Lee	D14/126
D722,300	S	*	2/2015	Won	D14/126
D722,989	S	*	2/2015	Park et al.	D14/126
2010/0194845	A1	*	8/2010	Cho et al.	348/14.04
2010/0302165	A1	*	12/2010	Li	345/168
2013/0169739	A1	*	7/2013	Cho	348/14.04
2013/0188006	A1	*	7/2013	McMahon	348/14.04
2014/0232865	A1	*	8/2014	Kim et al.	348/143

* cited by examiner

Primary Examiner — Cathron Brooks

Assistant Examiner — Clese Moore, Jr.

(74) *Attorney, Agent, or Firm* — Morgan, Lewis & Bockius LLP

(57) **CLAIM**

The ornamental design for a television receiver, as shown and described.

DESCRIPTION

FIG. 1 is a perspective view of a television receiver showing our new design;
 FIG. 2 is a front view thereof;
 FIG. 3 is a rear view thereof;
 FIG. 4 is a left side view thereof;
 FIG. 5 is a right side view thereof;
 FIG. 6 is a top plan view thereof;
 FIG. 7 is a bottom plan view thereof; and,
 FIG. 8 is a rear perspective view thereof.

The broken lines shown illustrate portions of the television receiver that form no part of the claimed design.

1 Claim, 8 Drawing Sheets

- (56) **References Cited**
 - U.S. PATENT DOCUMENTS
 - D387,040 S * 12/1997 Iino D14/375
 - D540,280 S * 4/2007 Yeo D14/126

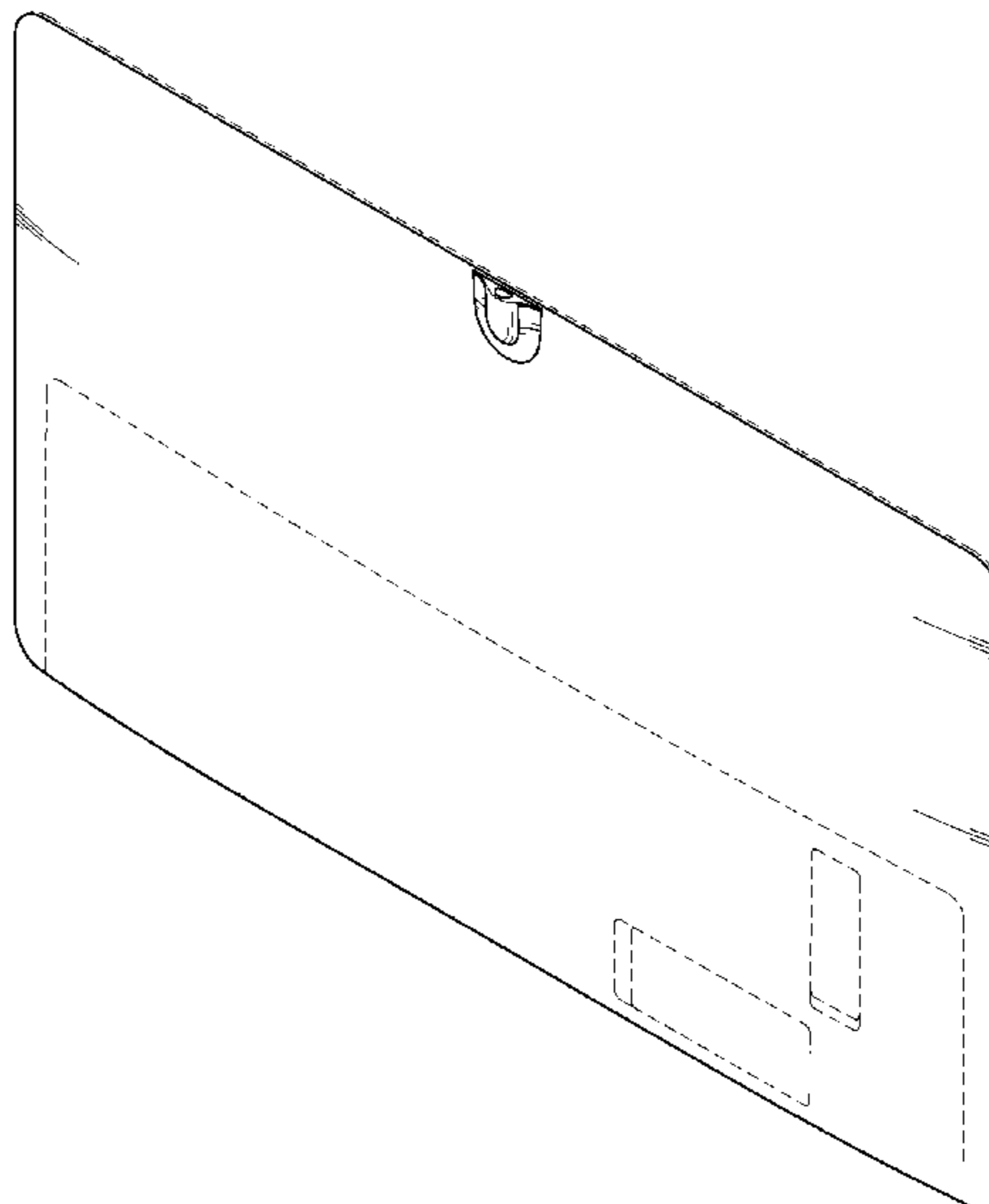


FIG. 1

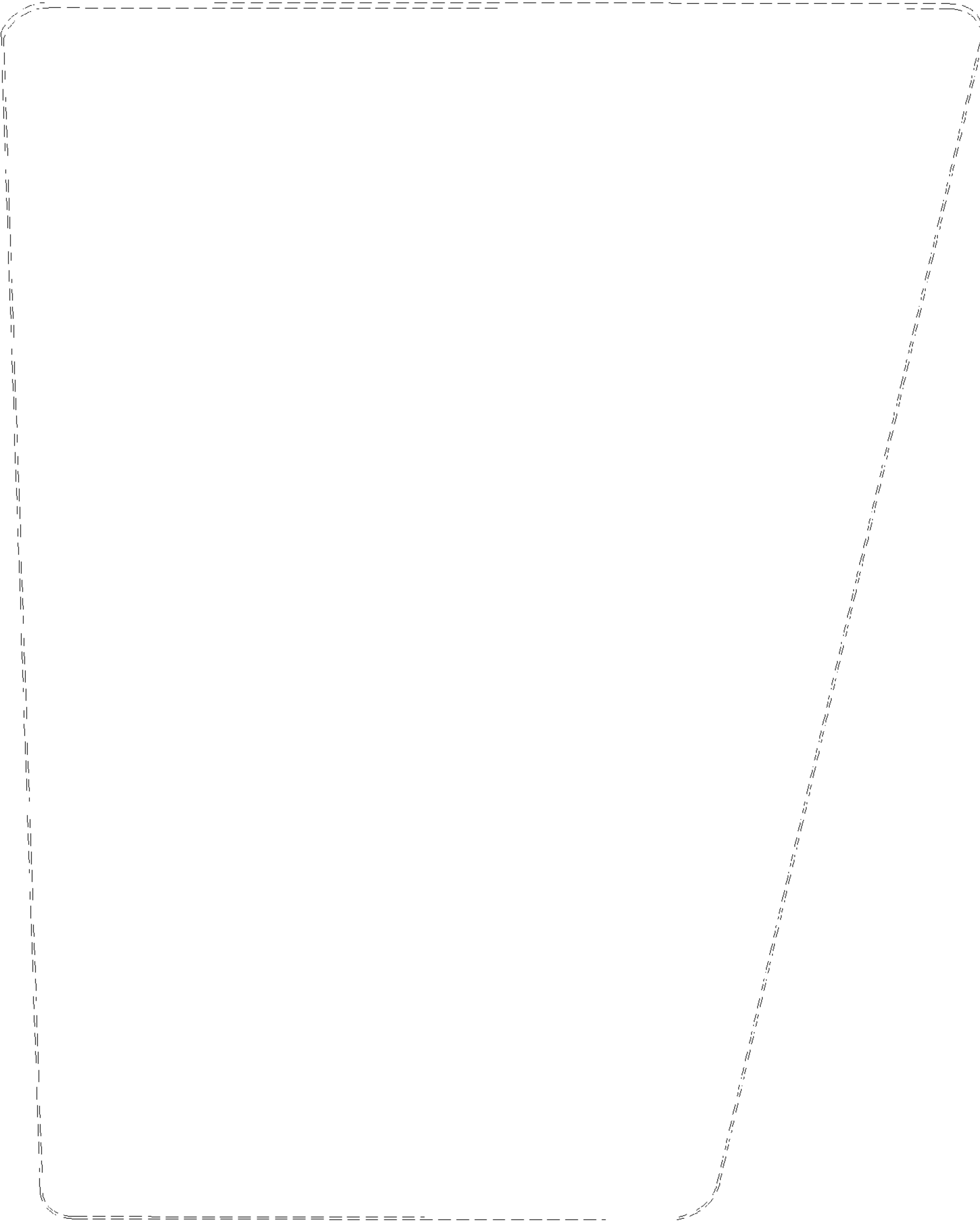


FIG. 2



FIG. 3

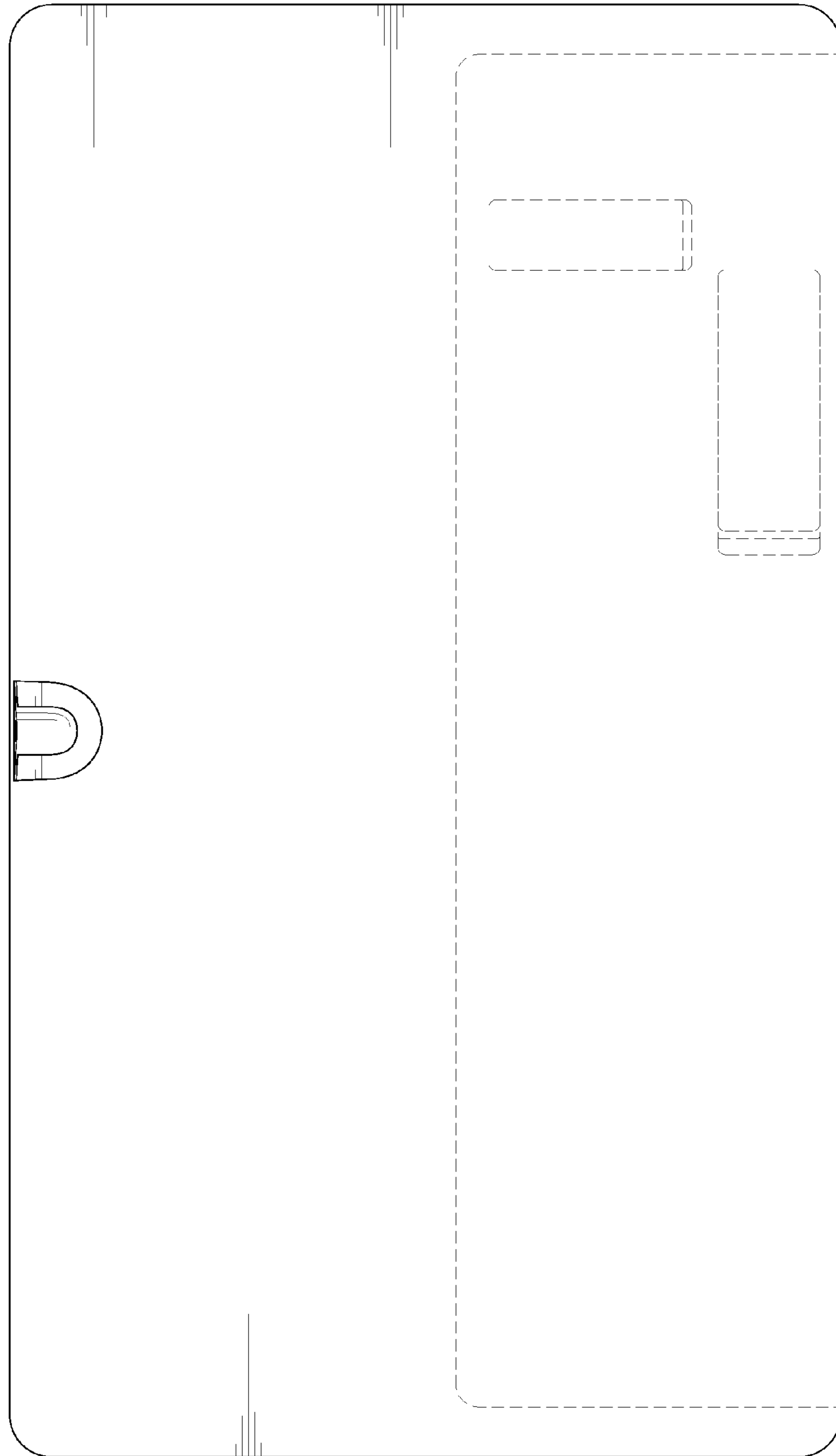


FIG. 4

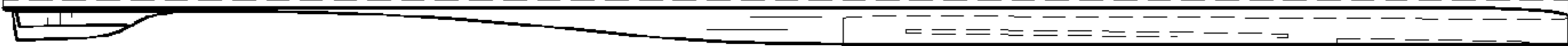


FIG. 5

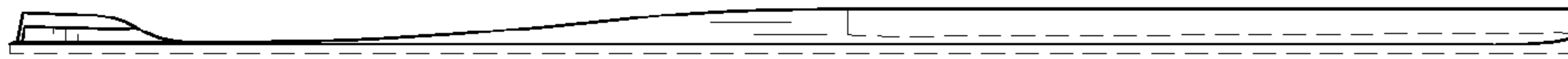


FIG. 6



FIG. 7

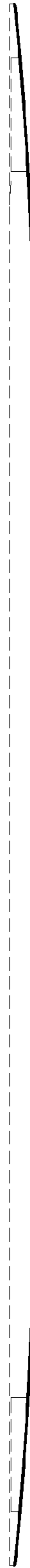


FIG. 8

