



US00D735153S

(12) **United States Design Patent**  
**Snyder et al.**

(10) **Patent No.:** **US D735,153 S**  
(45) **Date of Patent:** **\*\* Jul. 28, 2015**

- (54) **TELEVISION RECEIVER**
- (71) Applicant: **Samsung Electronics Co., Ltd.**,  
Suwon-si (KR)
- (72) Inventors: **Dan Snyder**, San Francisco, CA (US);  
**Liam Adelman**, San Francisco, CA  
(US); **Noah Murphy-Reinhertz**, San  
Francisco, CA (US); **Yves Behar**, San  
Francisco, CA (US); **Dong Hee Won**,  
Seoul (KR)
- (73) Assignee: **Samsung Electronics Co., Ltd.**,  
Suwon-si (KR)

- (\*\*) Term: **14 Years**
- (21) Appl. No.: **29/467,924**
- (22) Filed: **Sep. 25, 2013**

- (30) **Foreign Application Priority Data**  
Mar. 25, 2013 (KR) ..... 30-2013-0015152

- (51) **LOC (10) Cl.** ..... **14-03**
- (52) **U.S. Cl.**  
USPC ..... **D14/126**

- (58) **Field of Classification Search**  
USPC ..... D14/371-382, 125-134, 239, 448-452,  
D14/136, 341, 479, 389, 397, 308, 412, 157,  
D14/155, 511; 361/679.02; 348/836, 838,  
348/180, 184, 325, 739; 248/917-924, 465;  
345/104; D6/300, 301, 302, 308,  
D6/310-314  
CPC ..... G01F 1/1601  
See application file for complete search history.

- (56) **References Cited**  
**U.S. PATENT DOCUMENTS**  
D478,881 S \* 8/2003 O'Leary et al. .... D14/130  
D545,316 S \* 6/2007 Kim ..... D14/375  
D545,782 S \* 7/2007 Schiller et al. .... D14/126

|                   |         |                     |         |
|-------------------|---------|---------------------|---------|
| D625,724 S *      | 10/2010 | Chen et al. ....    | D14/374 |
| D665,760 S *      | 8/2012  | Chiu .....          | D14/126 |
| D670,257 S *      | 11/2012 | Yang et al. ....    | D14/126 |
| D680,106 S *      | 4/2013  | Hwangbo et al. .... | D14/239 |
| D716,244 S *      | 10/2014 | Kim et al. ....     | D14/126 |
| D716,245 S *      | 10/2014 | Kim .....           | D14/126 |
| D719,119 S *      | 12/2014 | Park et al. ....    | D14/126 |
| D722,989 S *      | 2/2015  | Park et al. ....    | D14/126 |
| 2007/0108359 A1 * | 5/2007  | Lee et al. ....     | 248/922 |

\* cited by examiner

*Primary Examiner* — Susan Bennett Hattan

*Assistant Examiner* — Brett Miller

(74) *Attorney, Agent, or Firm* — NSIP Law

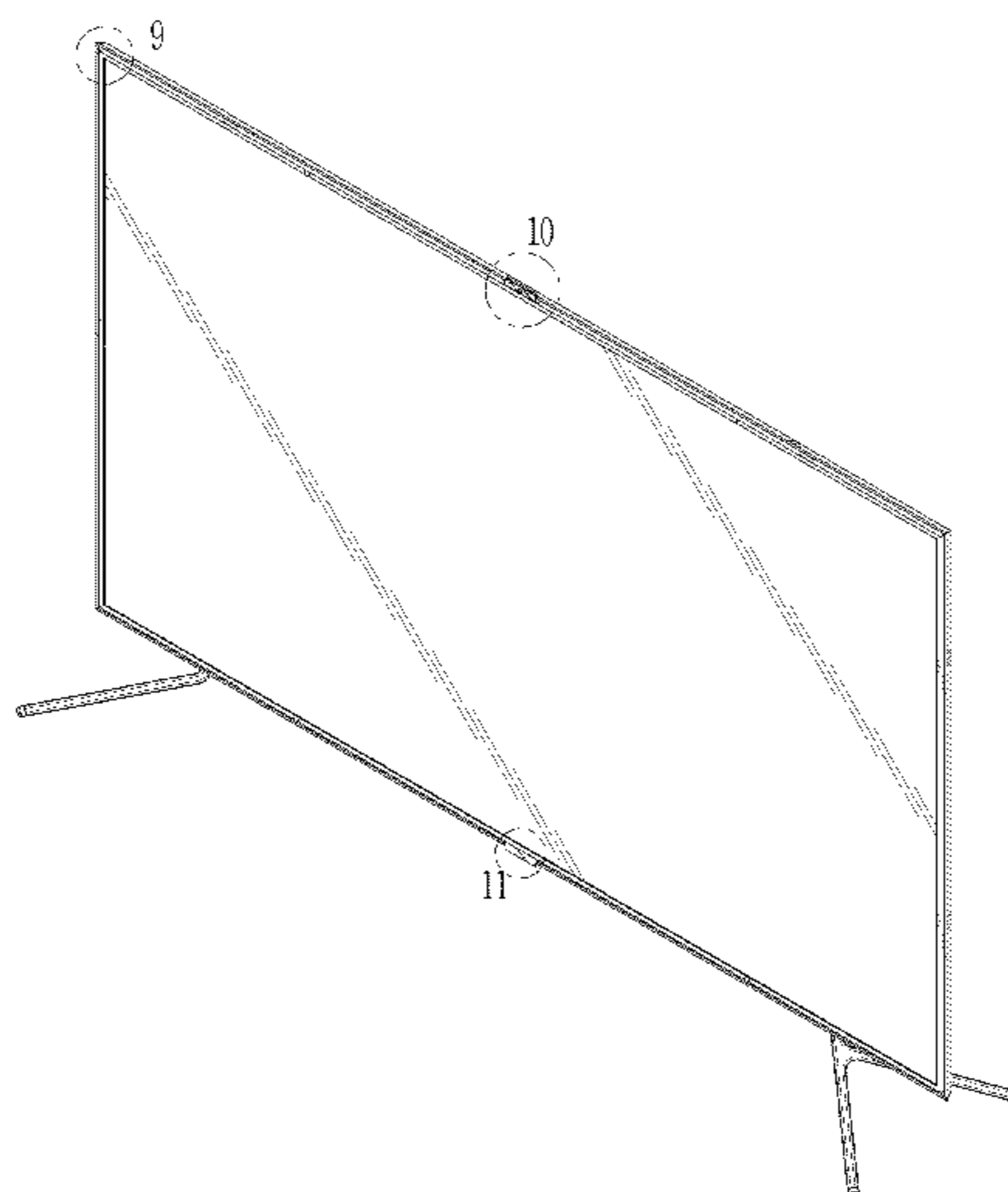
(57) **CLAIM**  
The ornamental design for a television receiver, as shown and described.

**DESCRIPTION**

FIG. 1 is a front perspective view of a television receiver showing our new design;  
FIG. 2 is a front view thereof;  
FIG. 3 is a rear view thereof;  
FIG. 4 is a left-side view thereof;  
FIG. 5 is a right-side view thereof;  
FIG. 6 is a top view thereof;  
FIG. 7 is a bottom view thereof;  
FIG. 8 is an enlarged view of the portion 8 encircled in FIG. 5;  
FIG. 9 is an enlarged view of the portion 9 encircled in FIG. 1;  
FIG. 10 is an enlarged view of the portion 10 encircled in FIG. 1; and,  
FIG. 11 is an enlarged view of the portion 11 encircled in FIG. 1.

The dash-dot-dot broken lines encircling portions of the claimed design that are illustrated in enlargements form no part of the claimed design.

**1 Claim, 11 Drawing Sheets**



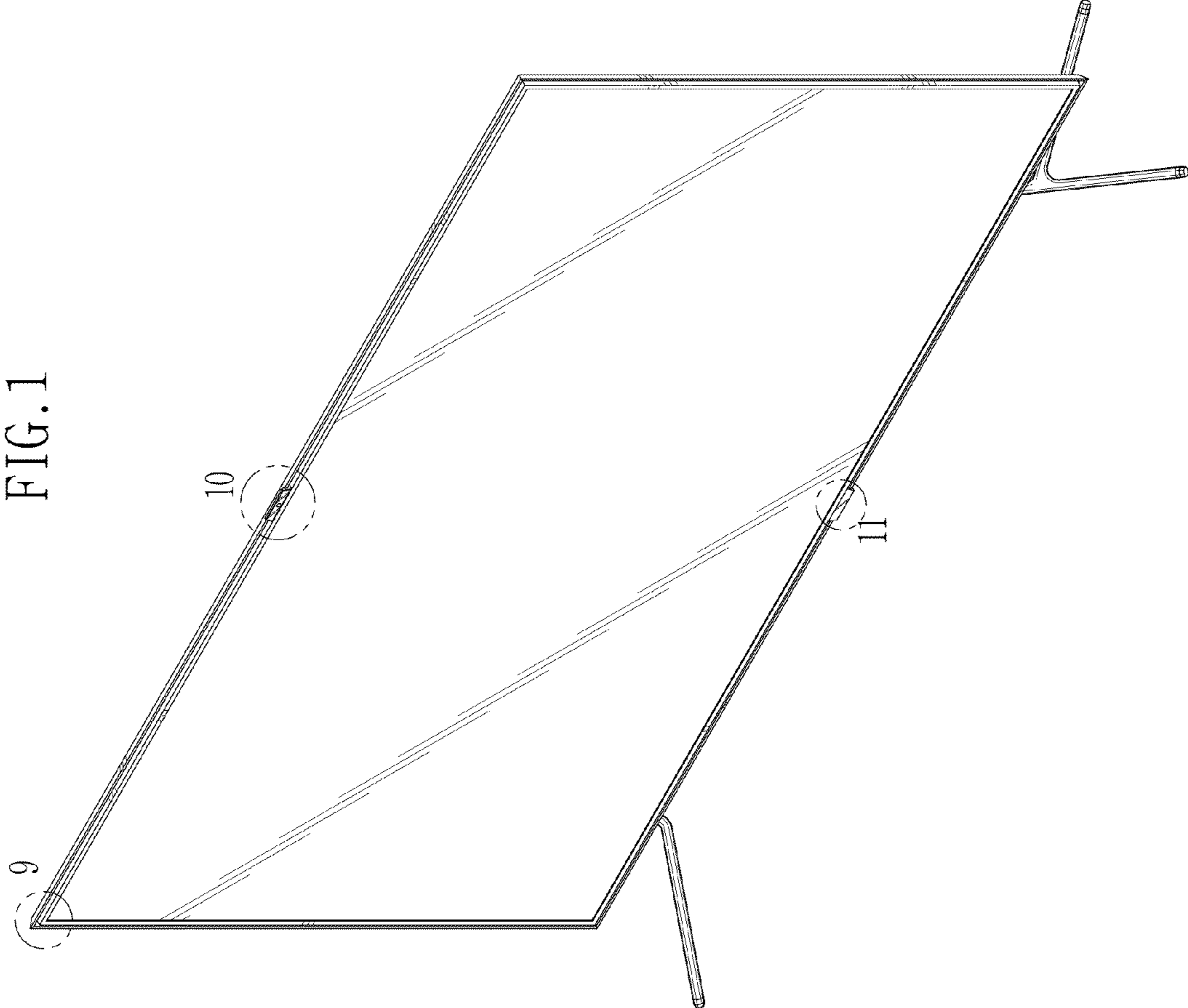


FIG. 2

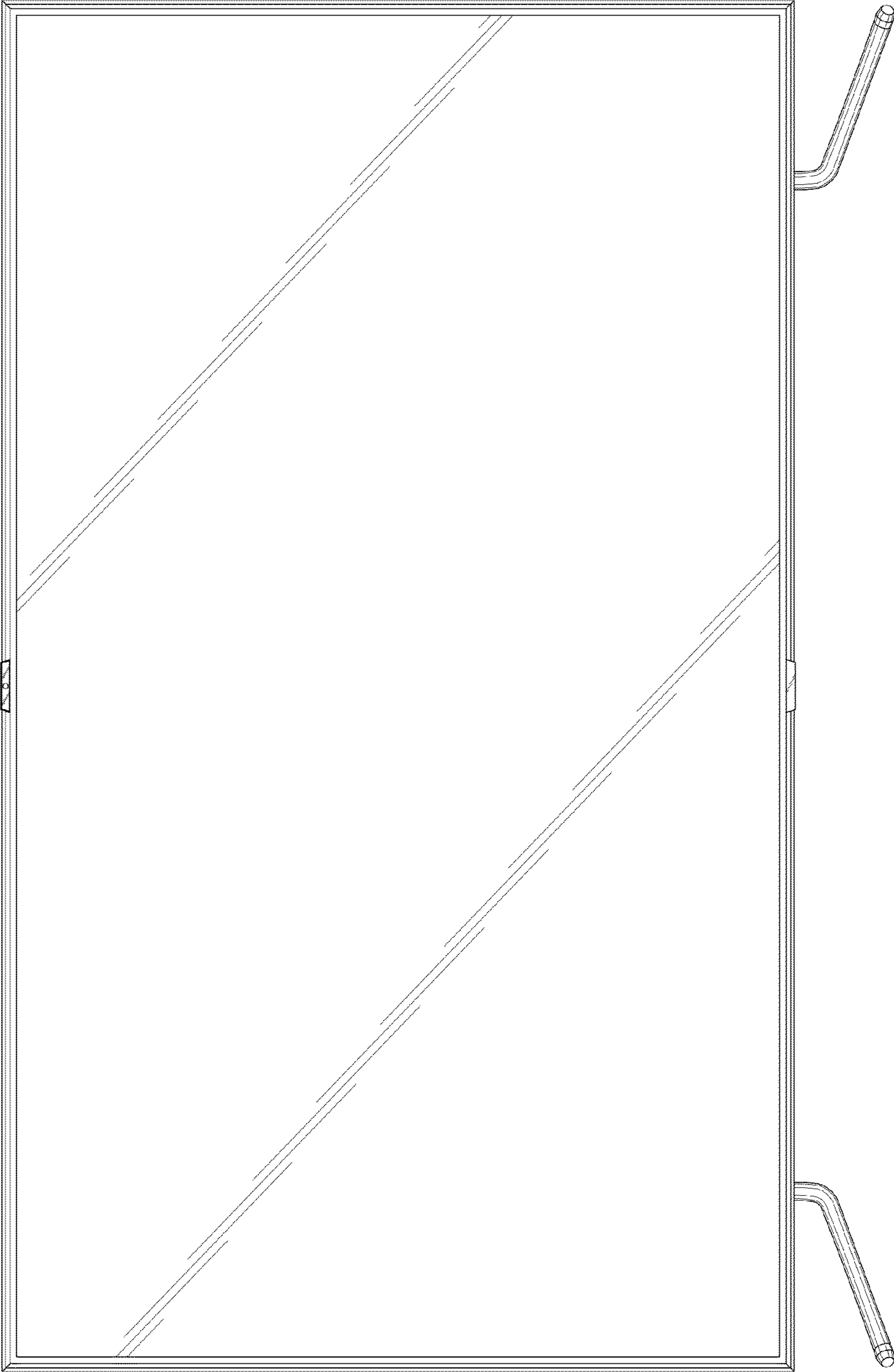


FIG. 3



FIG. 4

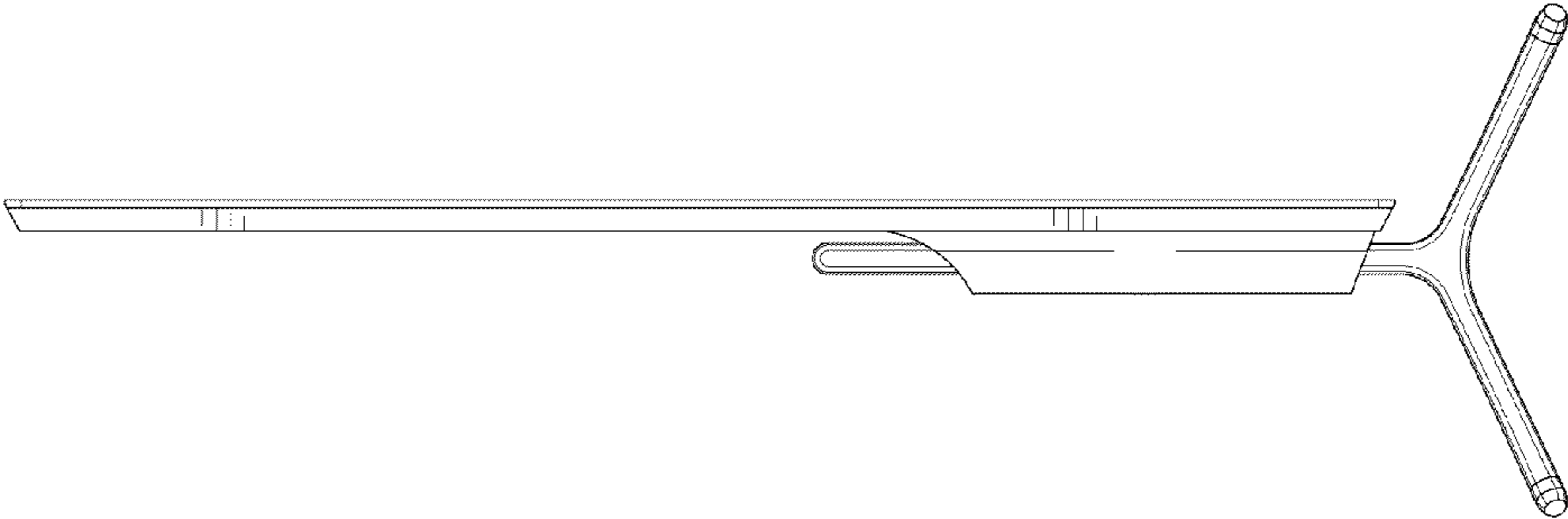


FIG. 5

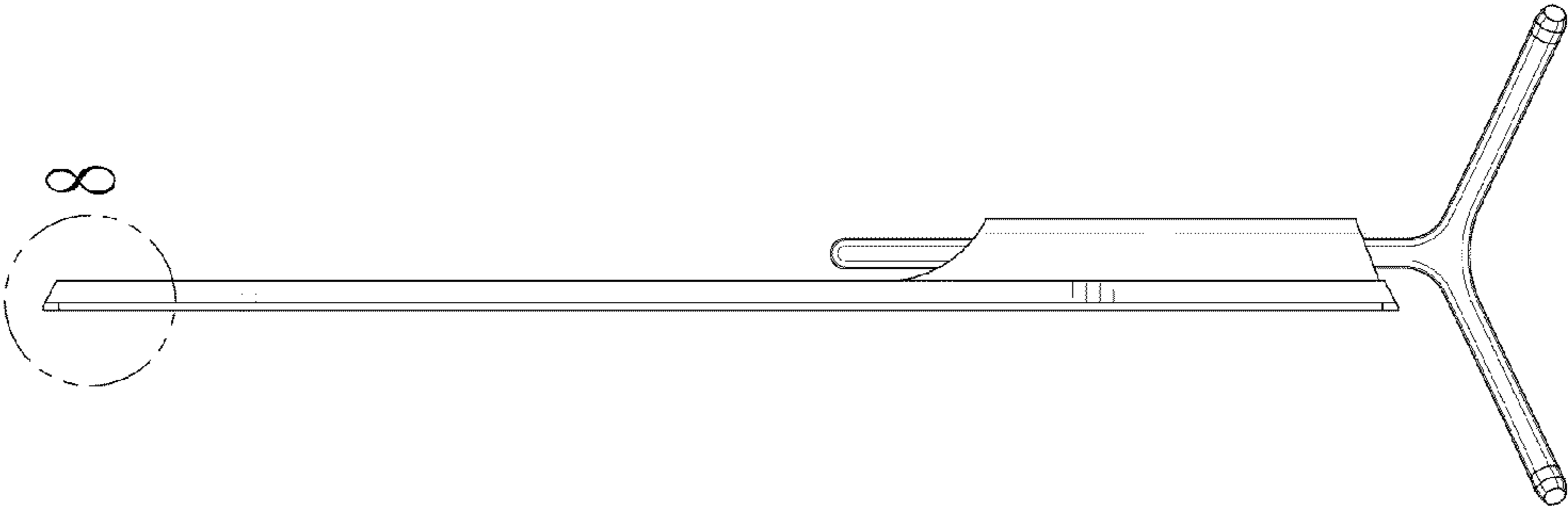


FIG. 6

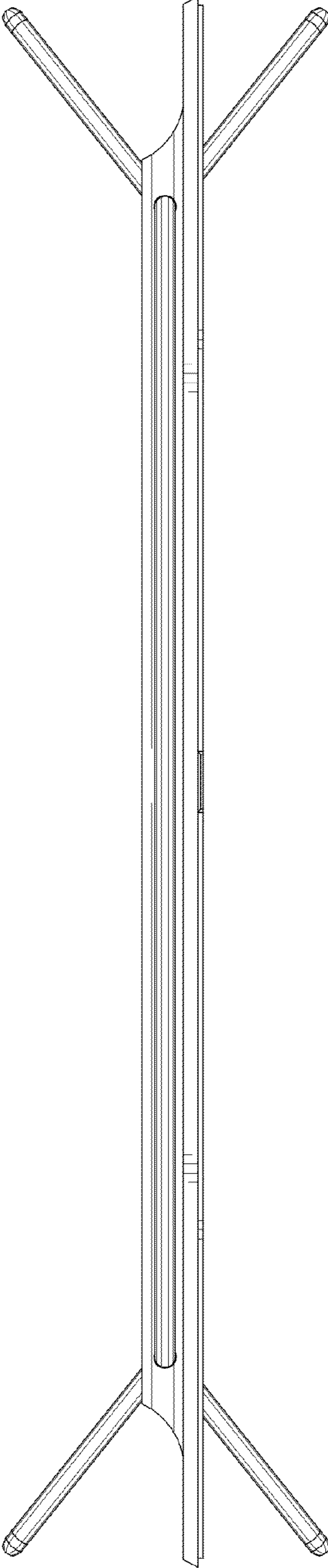


FIG. 7

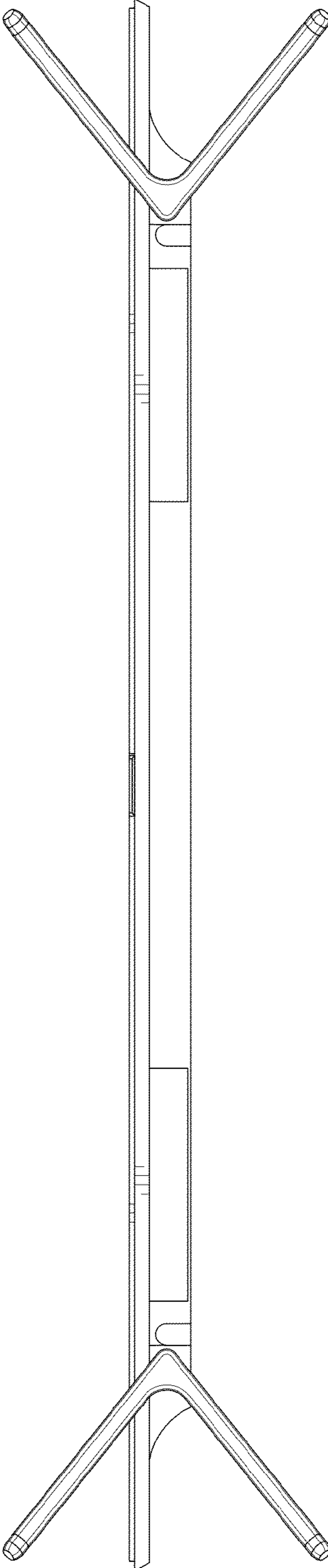




FIG. 8

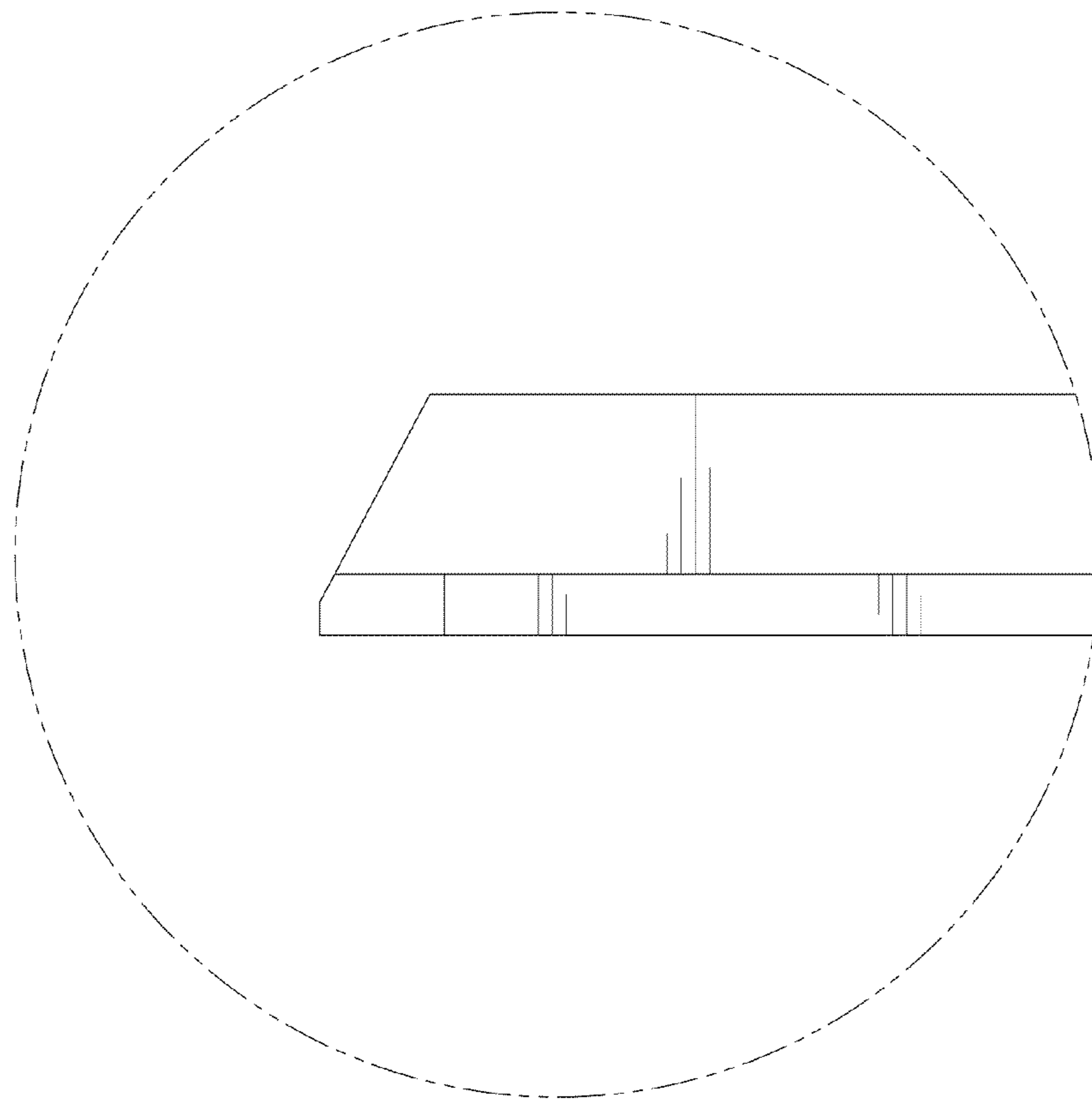


FIG. 9

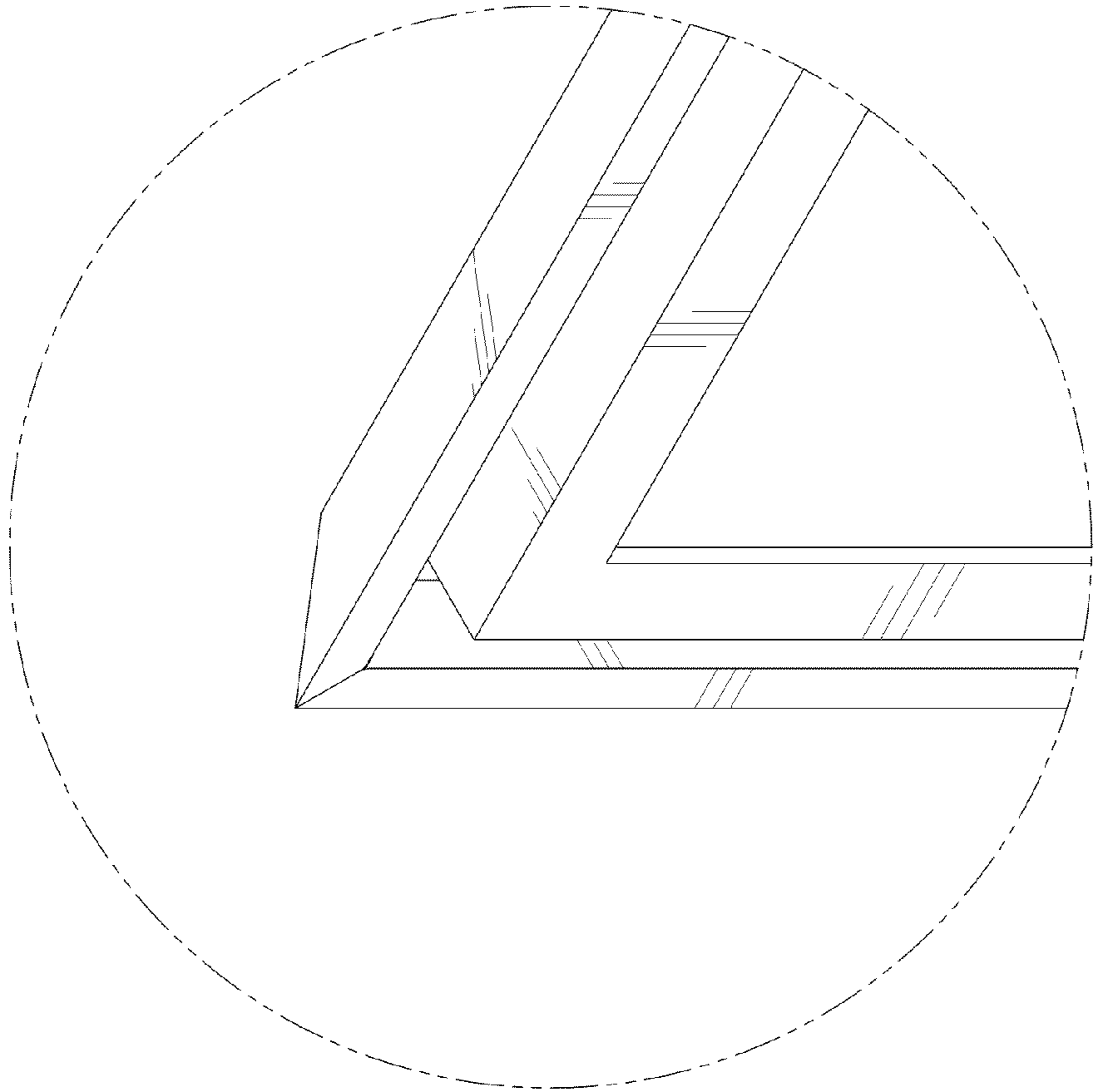


FIG. 10

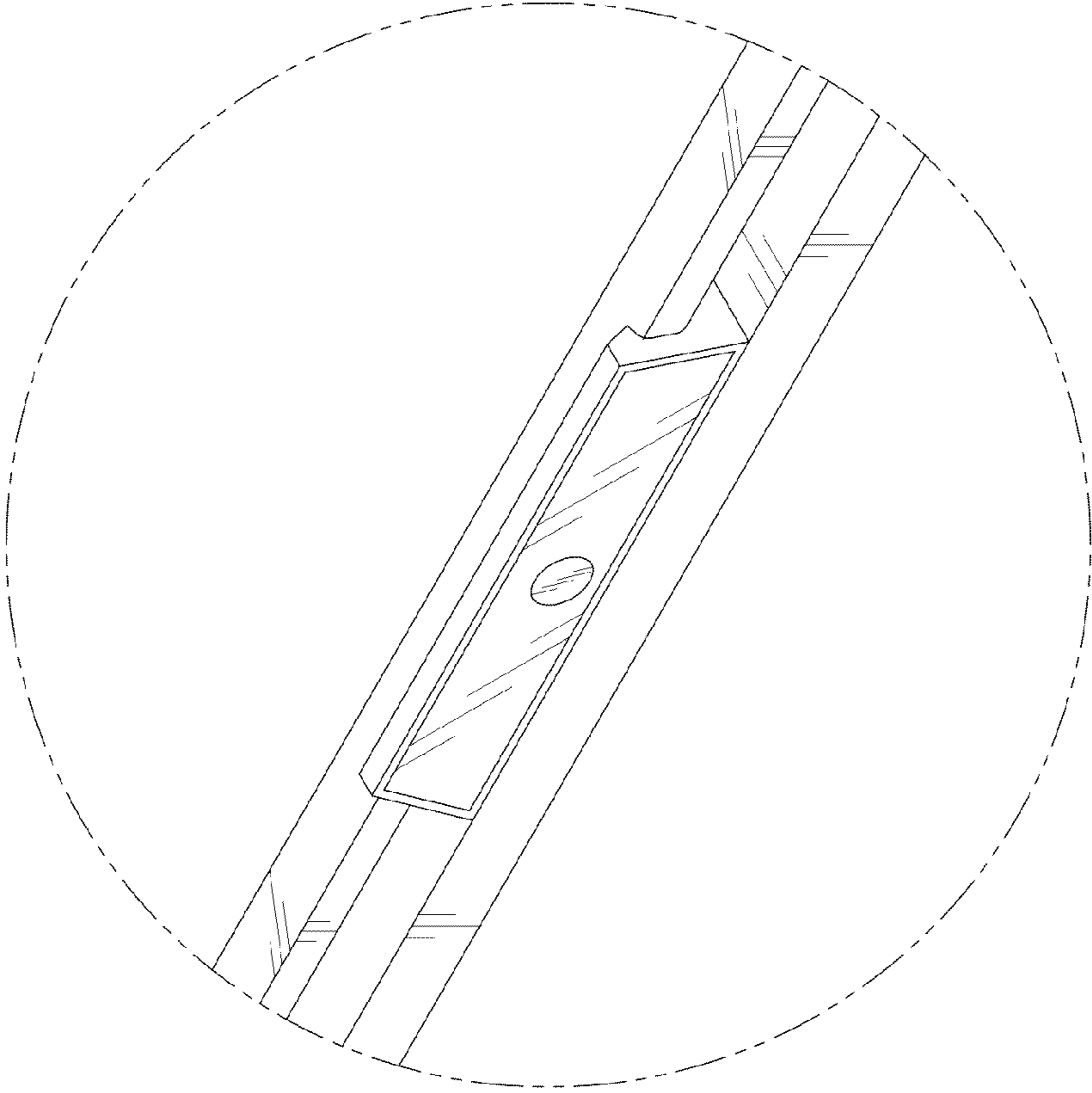


FIG. 11

