



US00D735150S

(12) **United States Design Patent**  
**Baldwin et al.**

(10) **Patent No.:** **US D735,150 S**  
(45) **Date of Patent:** **\*\* Jul. 28, 2015**

(54) **SET-TOP BOX**

(71) Applicant: **Intel Corporation**, Santa Clara, CA (US)  
(72) Inventors: **James Baldwin**, Palo Alto, CA (US);  
**Michael Castillo**, Hillsboro, OR (US);  
**Edward Clapper**, Tempe, AZ (US)  
(73) Assignee: **Intel Corporation**, Santa Clara, CA (US)

(\*\*) Term: **14 Years**

(21) Appl. No.: **29/440,997**

(22) Filed: **Dec. 28, 2012**

(51) **LOC (10) Cl.** ..... **14-03**

(52) **U.S. Cl.**  
USPC ..... **D14/125**

(58) **Field of Classification Search**  
USPC ..... D14/125, 357-358, 496, 188, 242, 432;  
D13/184; 348/10, 460, 706, 731;  
340/825.03; 455/6.1, 6.2; 312/223.1,  
312/7.2  
CPC ..... H04N 7/00  
See application file for complete search history.

(56) **References Cited**

U.S. PATENT DOCUMENTS

D537,003 S \* 2/2007 Li ..... D10/70  
D552,053 S \* 10/2007 Kim ..... D14/499  
D615,888 S \* 5/2010 Ikeda et al. .... D10/70  
D619,485 S \* 7/2010 Ikeda et al. .... D10/106.7  
D635,535 S \* 4/2011 Cho et al. .... D14/125

\* cited by examiner

*Primary Examiner* — Randall Gholson

(74) *Attorney, Agent, or Firm* — Patent Capital Group

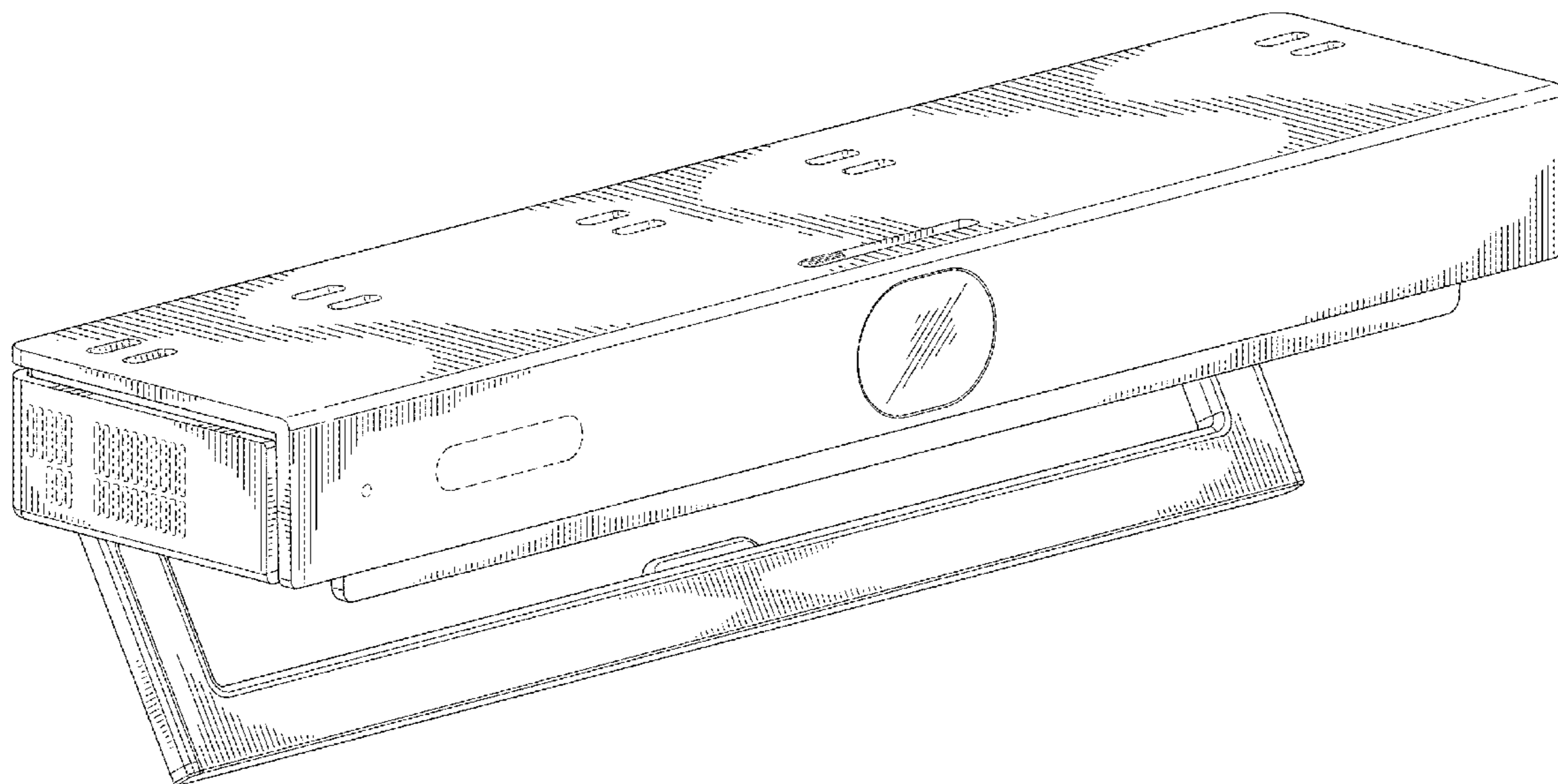
(57) **CLAIM**

The ornamental design for a set-top box, as shown and described.

**DESCRIPTION**

FIG. 1 is a front left side perspective view of a set-top box showing our new design;  
FIG. 2 is a front view thereof;  
FIG. 3 is a back view thereof;  
FIG. 4 is a left side view thereof;  
FIG. 5 is a right side view thereof;  
FIG. 6 is a top view thereof;  
FIG. 7 is a bottom view thereof; and,  
FIG. 8 is a left side back perspective view thereof.  
The broken lines depict portions of the set-top box that form no part of the claimed design. Non-oblique line shading is meant to show contour and not surface ornamentation.

**1 Claim, 6 Drawing Sheets**



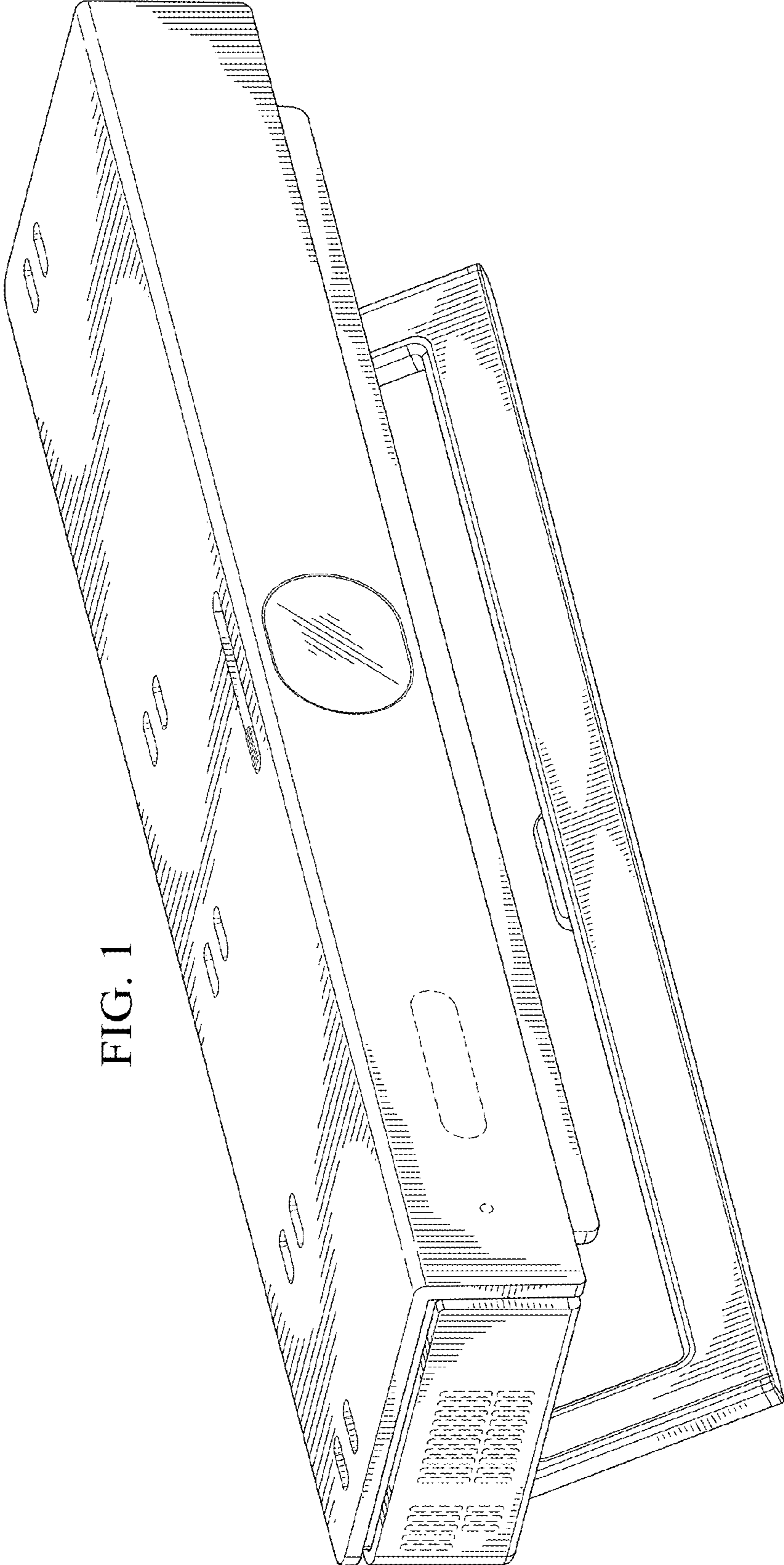


FIG. 1

FIG. 2

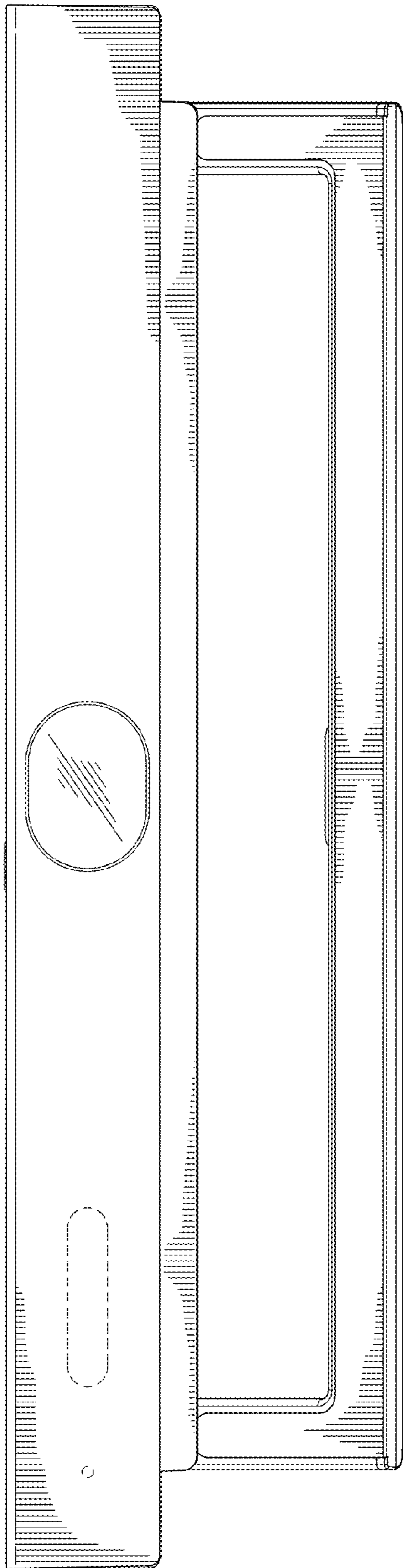


FIG. 3

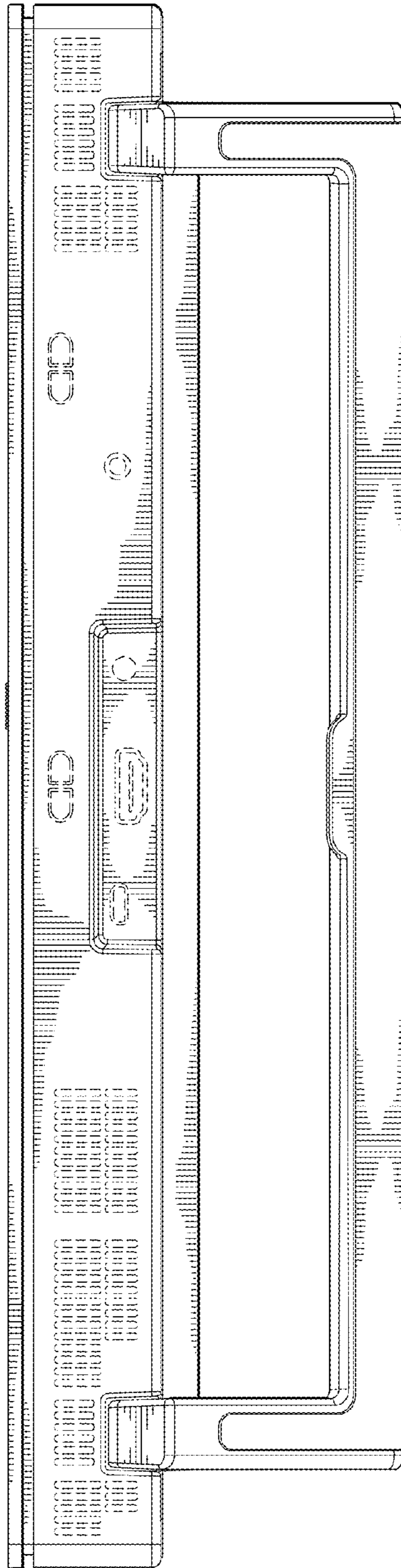




FIG. 5

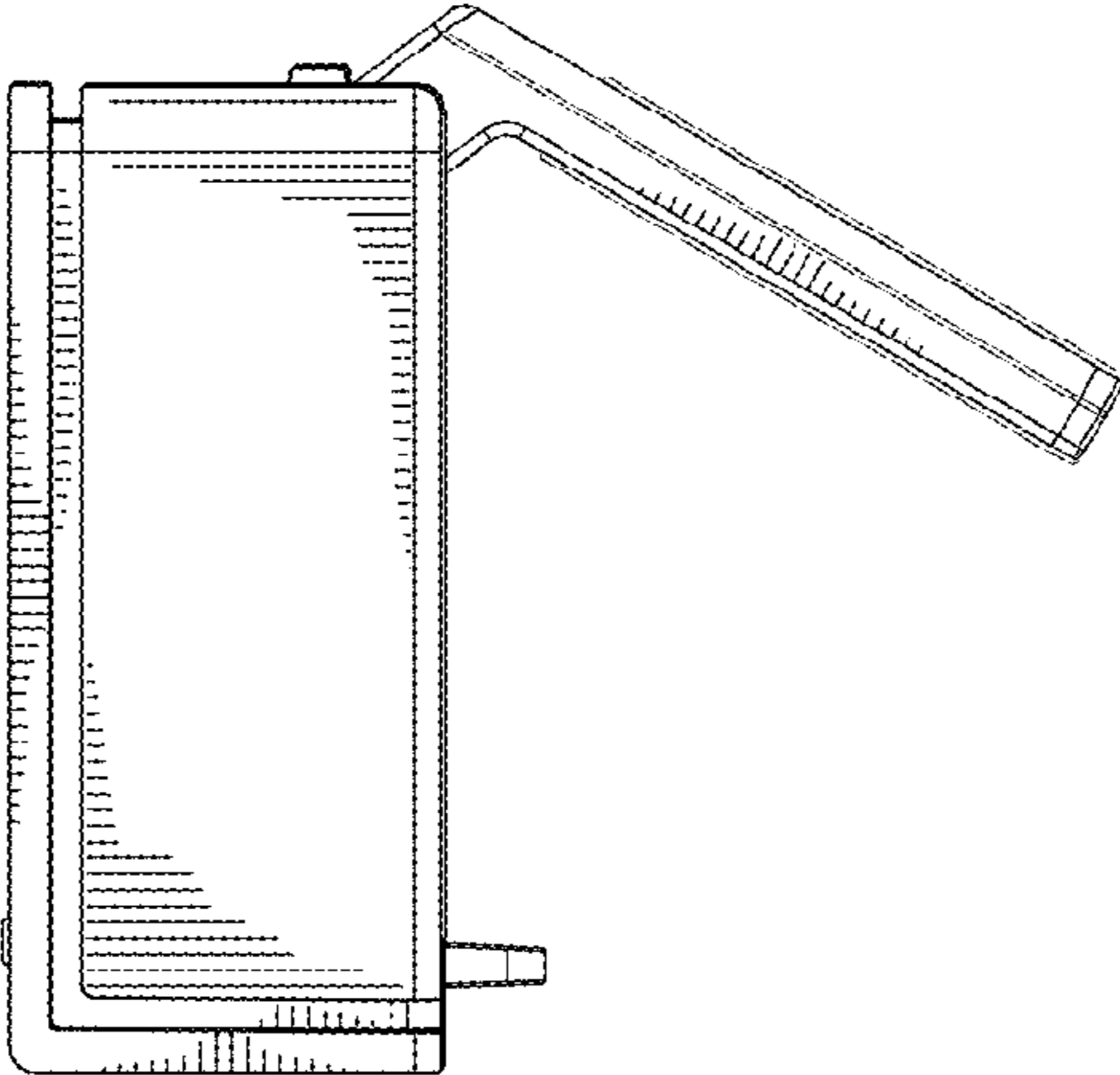


FIG. 4

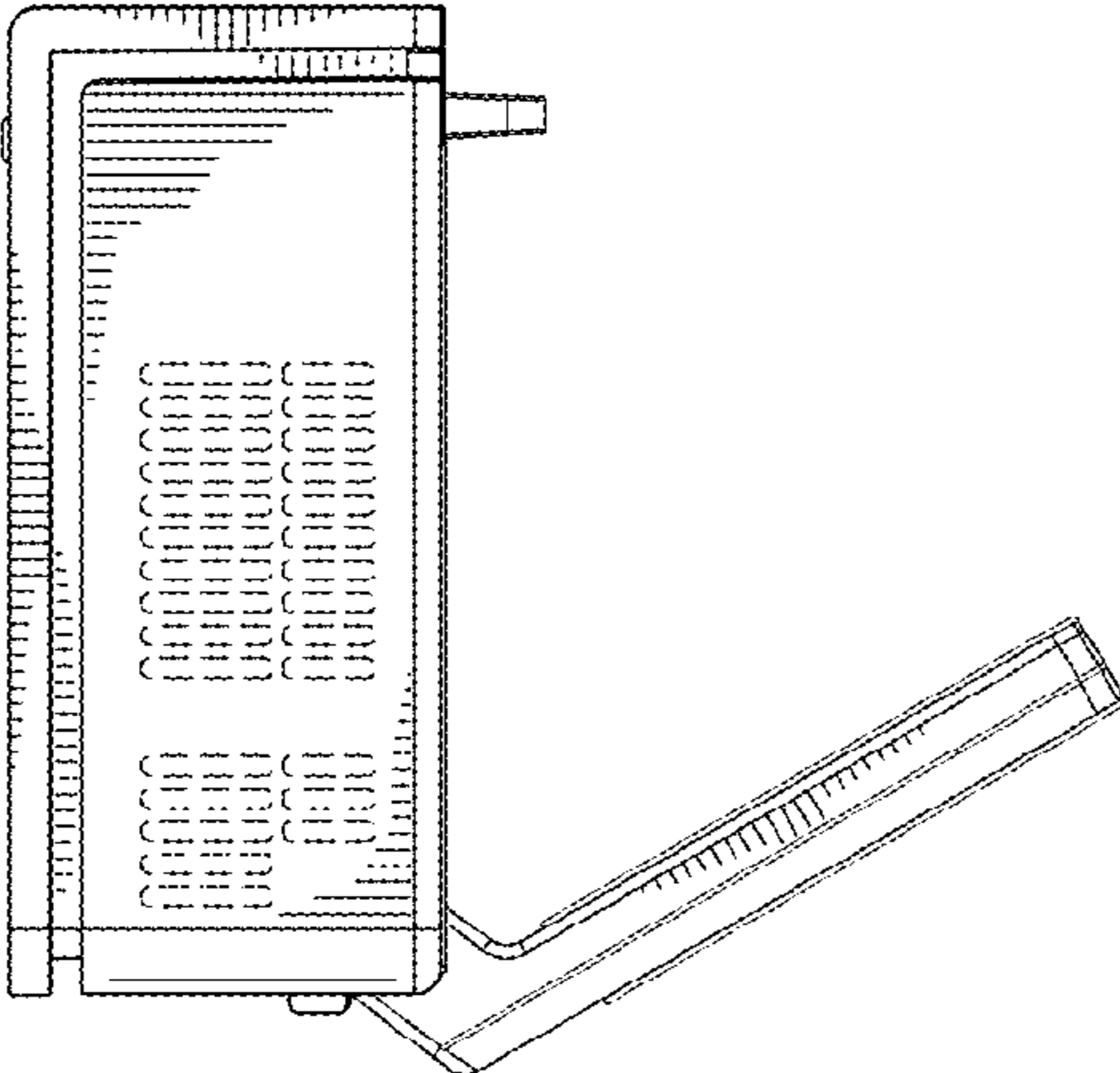


FIG. 6

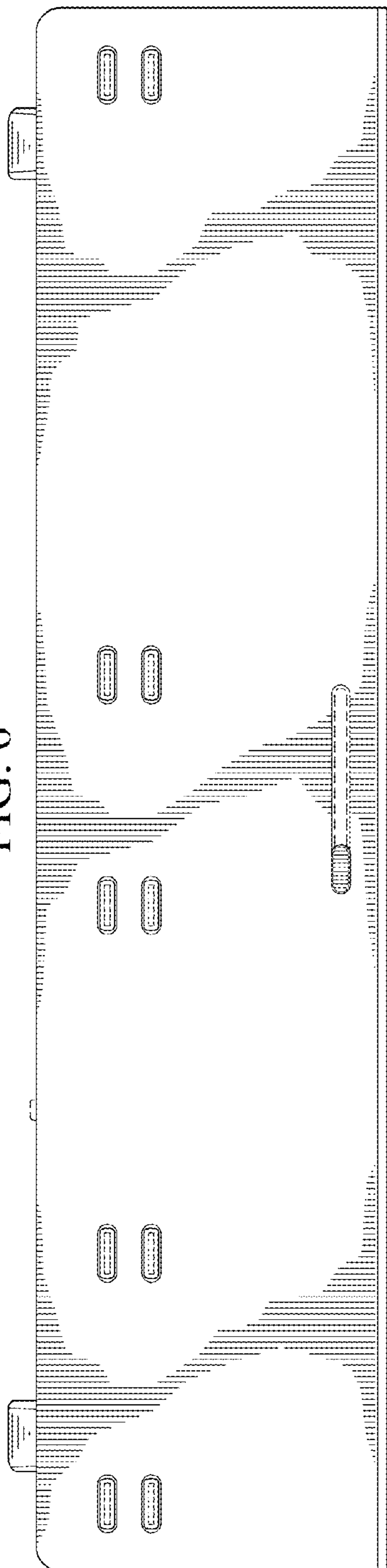


FIG. 7

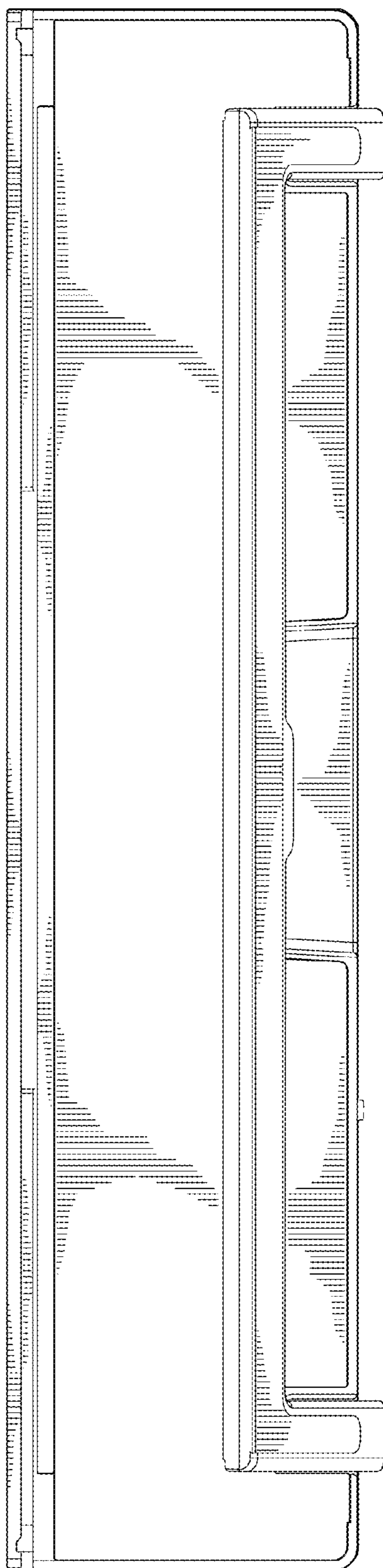


FIG. 8

