



US00D735149S

(12) **United States Design Patent**
Lin

(10) **Patent No.:** **US D735,149 S**
(45) **Date of Patent:** **** Jul. 28, 2015**

(54) **CONTROL PANEL FOR AC/DC POWER SUPPLY**

D667,799 S * 9/2012 Lin D13/177
8,410,362 B1 * 4/2013 Lin 174/66
D687,393 S * 8/2013 Lin D13/177
D691,972 S * 10/2013 Lin D13/177

(71) Applicant: **CHYNG HONG ELECTRONIC CO., LTD.**, Taichung (TW)

* cited by examiner

(72) Inventor: **Mu-Chun Lin**, Taichung (TW)

Primary Examiner — Selina Sikder

(73) Assignee: **CHYNG HONG ELECTRONIC CO., LTD.**, Taichung (TW)

(74) *Attorney, Agent, or Firm* — Ming Chow; Sinorica, LLC

(**) Term: **14 Years**

(57) **CLAIM**

I claim the ornamental design for a control panel for AC/DC power supply, as shown and described.

(21) Appl. No.: **29/491,299**

(22) Filed: **May 20, 2014**

DESCRIPTION

(51) **LOC (10) Cl.** **13-03**

(52) **U.S. Cl.**
USPC **D13/177**

(58) **Field of Classification Search**
USPC D13/162, 177
CPC H01H 13/83; H02G 3/14; H05K 7/1432
See application file for complete search history.

FIG. 1 is a front perspective view of a control panel for AC/DC power supply showing my new design;
FIG. 2 is a front elevational view thereof;
FIG. 3 is a rear elevational view thereof;
FIG. 4 is a left side elevational view thereof;
FIG. 5 is a right side elevational view thereof;
FIG. 6 is a top plan view thereof;
FIG. 7 is a bottom plan view thereof; and,
FIG. 8 is a front end view of the control panel for AC/DC power supply in accordance with my design, shown in its environment thereof.

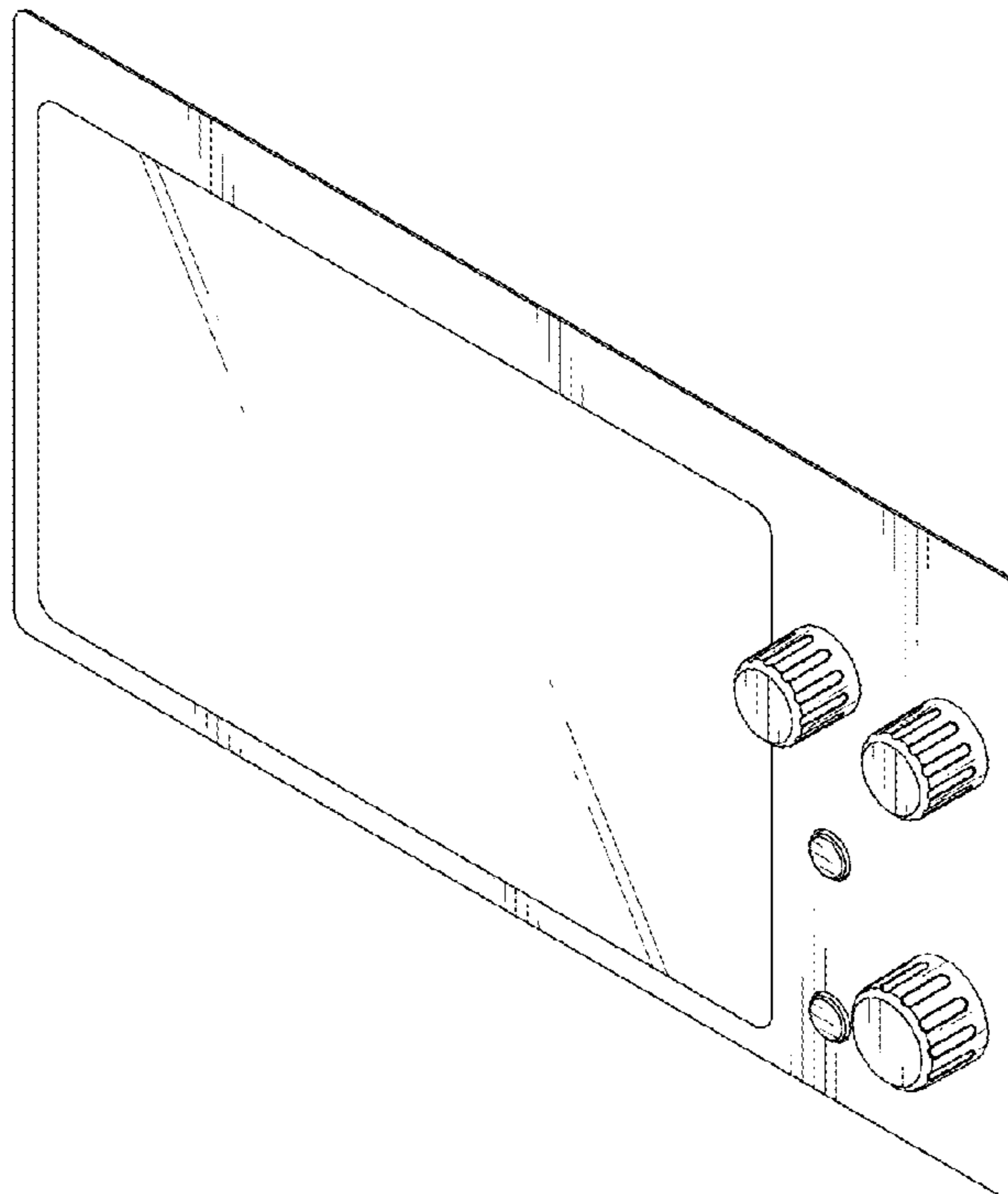
(56) **References Cited**

U.S. PATENT DOCUMENTS

D424,526 S * 5/2000 Yang D13/177
D601,514 S * 10/2009 Lin D13/177
D619,108 S * 7/2010 Lin D13/177
D659,108 S * 5/2012 Lin D13/177
D659,653 S * 5/2012 Lin D13/177
D664,934 S * 8/2012 Lin D13/177
D664,935 S * 8/2012 Lin D13/177

The broken line showing of the faceplate body, the ventilation screens, and the handles in FIG. 8 view are for the purpose of illustrating environmental structure and form no part of the claimed design.

1 Claim, 5 Drawing Sheets



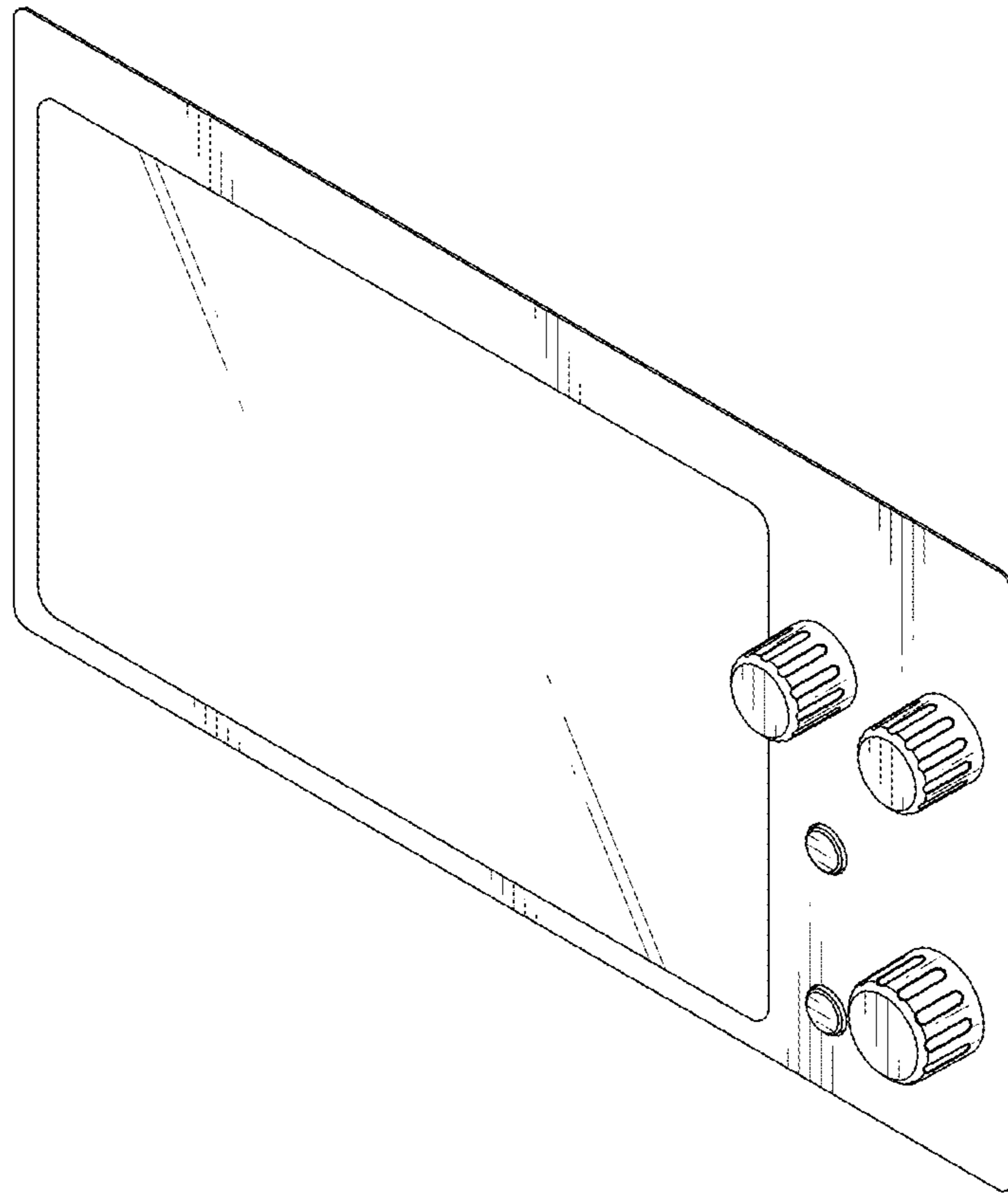


FIG. 1

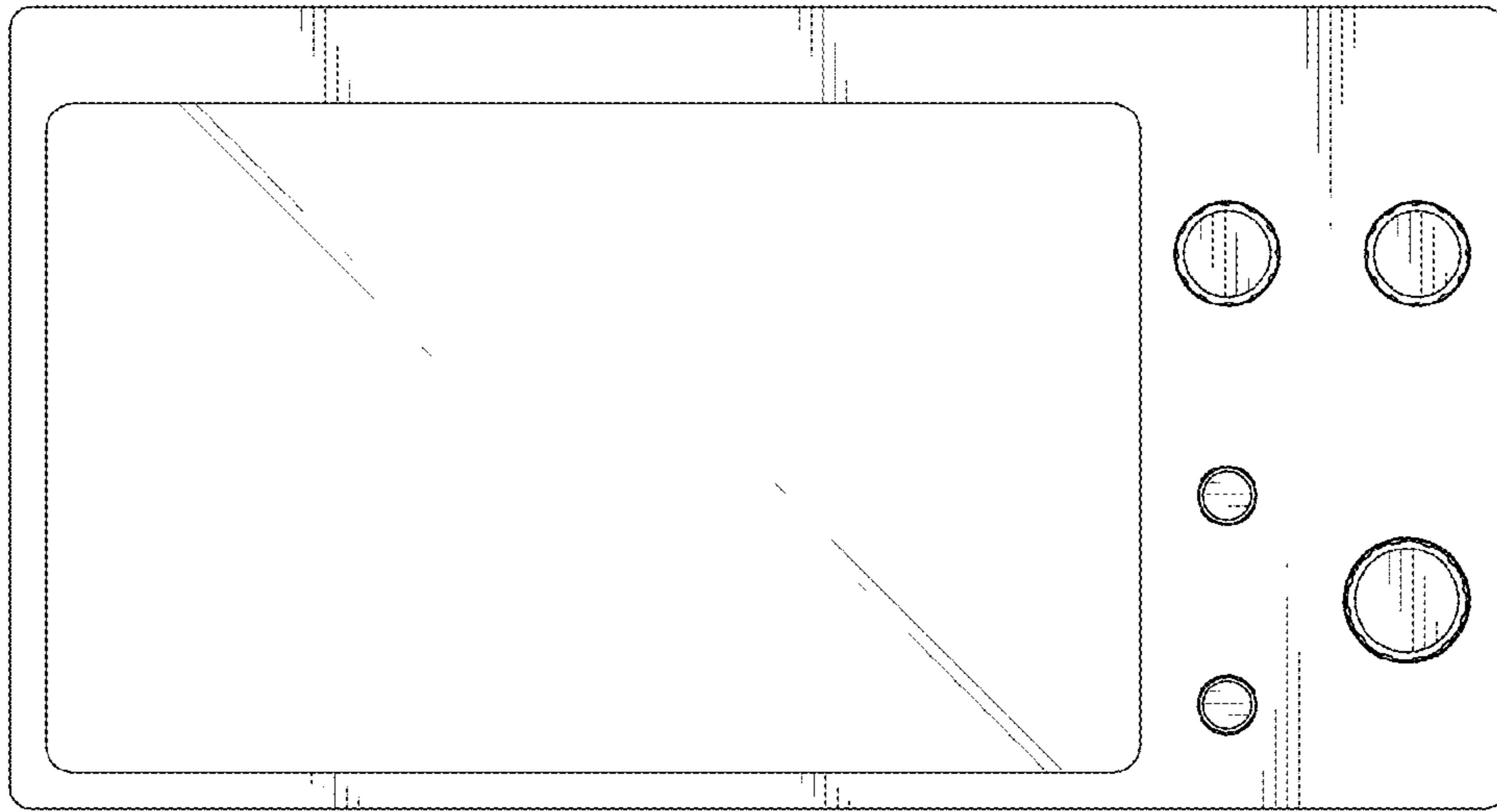


FIG. 2

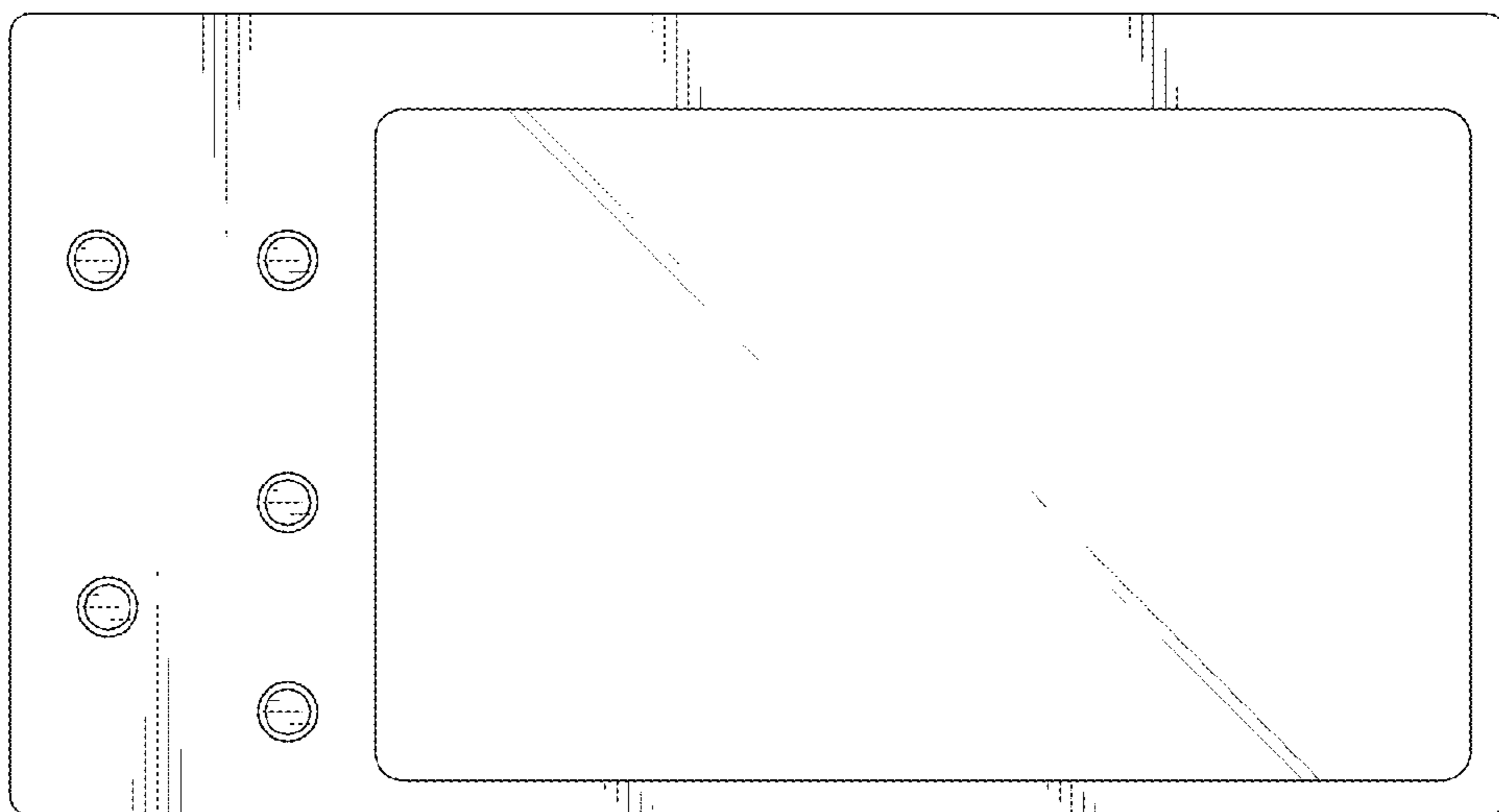


FIG. 3



FIG. 4



FIG. 5

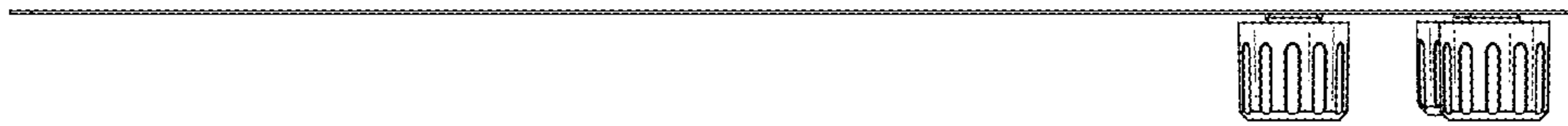


FIG. 6



FIG. 7

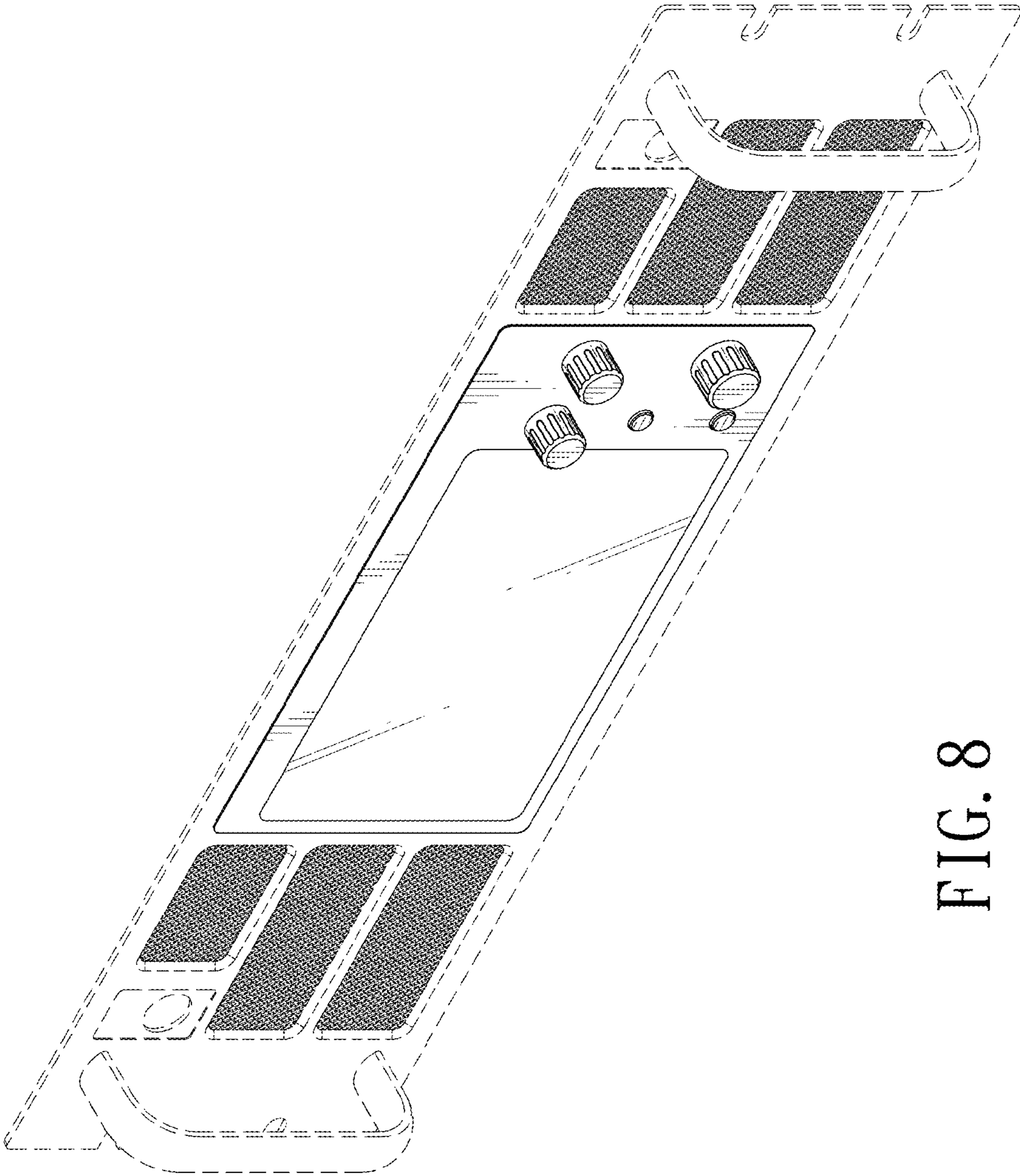


FIG. 8