



US00D735147S

(12) **United States Design Patent**
Willcocks et al.

(10) **Patent No.:** **US D735,147 S**
(45) **Date of Patent:** **** Jul. 28, 2015**

(54) **CONTROL DEVICE**

(71) Applicant: **Lutron Electronics Co., Inc.**,
Coopersburg, PA (US)

(72) Inventors: **Mark E. Willcocks**, Sellerville, PA
(US); **Louis G. Rollo**, Hellertown, PA
(US); **Brian R. O'Donnell**, Alburtis, PA
(US)

(73) Assignee: **LUTRON ELECTRONICS CO., INC.**,
Coopersburg, PA (US)

(**) Term: **14 Years**

(21) Appl. No.: **29/470,240**

(22) Filed: **Oct. 18, 2013**

(51) **LOC (10) Cl.** **14-03**

(52) **U.S. Cl.**
USPC **D13/168**

(58) **Field of Classification Search**
USPC D13/168; D14/218; 340/4.3, 4.42,
340/12.22, 12.23, 12.24, 12.29, 12.3, 12.55,
340/13.2, 13.21, 13.24; 341/176; 345/169;
348/734; 455/352

CPC H03J 1/0025; H03J 9/00; H03J 9/02;
H03J 9/04; H03J 9/06; H01H 2009/187;
H01H 9/02; H01H 9/0214; H01H 9/0242;
H01H 9/18; H05B 37/02; H05B 37/0272;
H05B 39/088; G08C 17/00; G08C 17/02;
G08C 19/28; G08C 23/02; G08C 23/04

See application file for complete search history.

(56) **References Cited**

U.S. PATENT DOCUMENTS

D341,837 S *	11/1993	Curbbun	D14/218
5,481,251 A *	1/1996	Buys et al.	340/12.22
5,499,930 A *	3/1996	Cieri	439/417
D407,695 S *	4/1999	Hwang	D13/168
D450,313 S *	11/2001	Koinuma	D14/218
D528,992 S *	9/2006	Hobart et al.	D13/168
D540,748 S *	4/2007	Larson et al.	D13/162
D546,782 S *	7/2007	Poulet et al.	D13/168

D567,185 S *	4/2008	Mayo et al.	D13/158
D592,606 S *	5/2009	Felegy et al.	D13/168
D592,607 S *	5/2009	Felegy et al.	D13/168
D592,611 S *	5/2009	Altonen et al.	D13/171
D604,702 S *	11/2009	Felegy et al.	D13/168
D606,500 S *	12/2009	Snyder et al.	D13/174
D619,106 S *	7/2010	Felegy et al.	D13/168
D623,605 S *	9/2010	Flowers et al.	D13/168
D638,806 S *	5/2011	Kim et al.	D13/168
D646,640 S *	10/2011	Clymer et al.	D13/160
D663,289 S *	7/2012	Murchison et al.	D14/218
2008/0111491 A1 *	5/2008	Spira	315/158
2009/0251352 A1 *	10/2009	Altonen et al.	341/176
2011/0266122 A1 *	11/2011	Zaharchuk et al.	200/308
2011/0279300 A1 *	11/2011	Mosebrook	341/176

* cited by examiner

Primary Examiner — Selina Sikder

(74) *Attorney, Agent, or Firm* — Mark E. Rose; Philip N. Smith

(57) **CLAIM**

We claim the ornamental design for a control device, as shown and described.

DESCRIPTION

FIG. 1 is a perspective view of a control device according to a first embodiment of our new design.

FIG. 2 is a front view thereof.

FIG. 3 is a left side view thereof.

FIG. 4 is a right side view thereof.

FIG. 5 is a top view thereof.

FIG. 6 is a bottom view thereof.

FIG. 7 is a perspective view of a control device according to a second embodiment of our new design.

FIG. 8 is a front view thereof.

FIG. 9 is a left side view thereof.

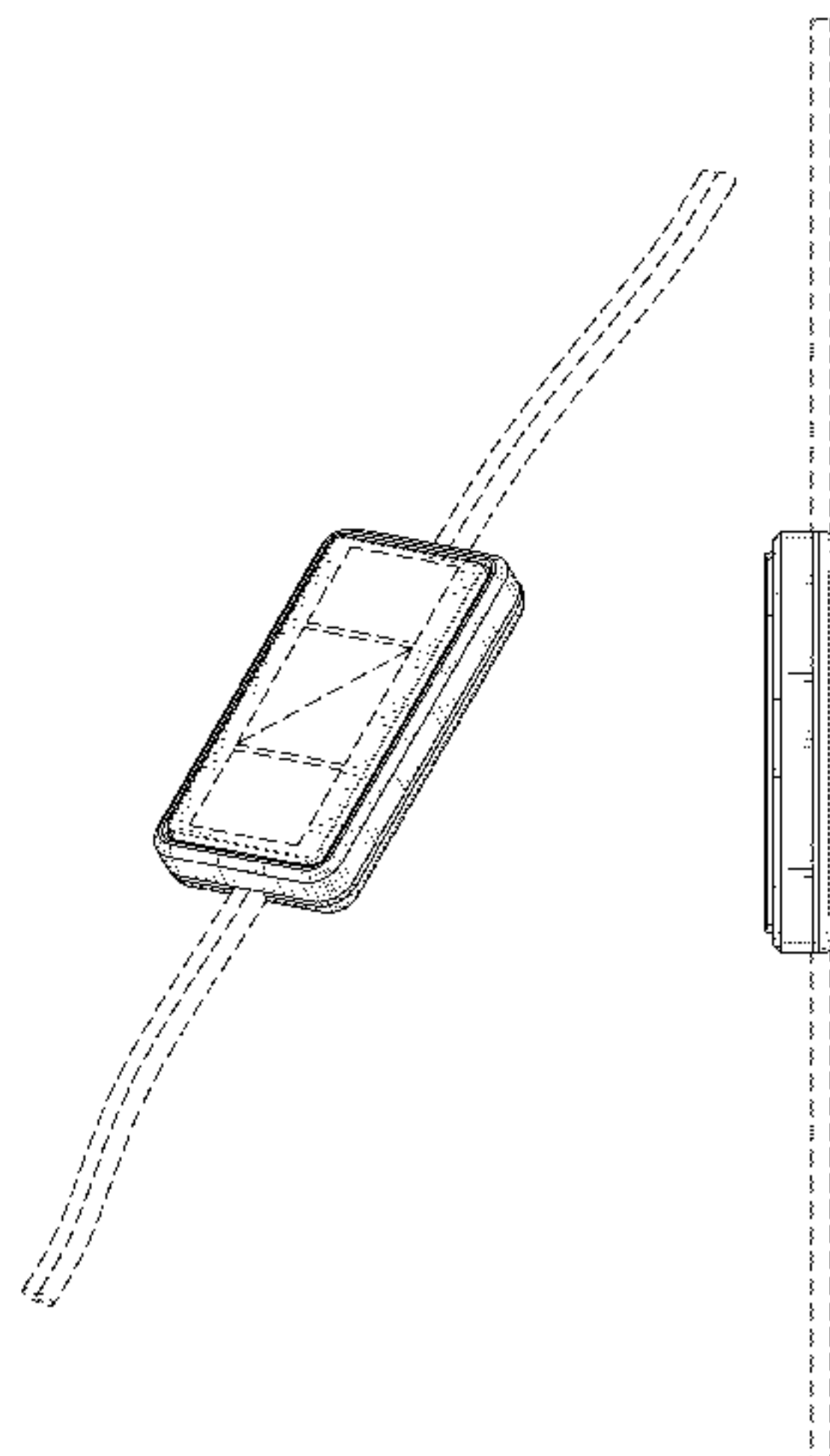
FIG. 10 is a right side view thereof.

FIG. 11 is a top view thereof; and,

FIG. 12 is a bottom view thereof.

The rear views form no part of the design and are omitted. The portions of the drawings appearing in broken line are for environment only and do not form a part of the claimed design.

1 Claim, 8 Drawing Sheets



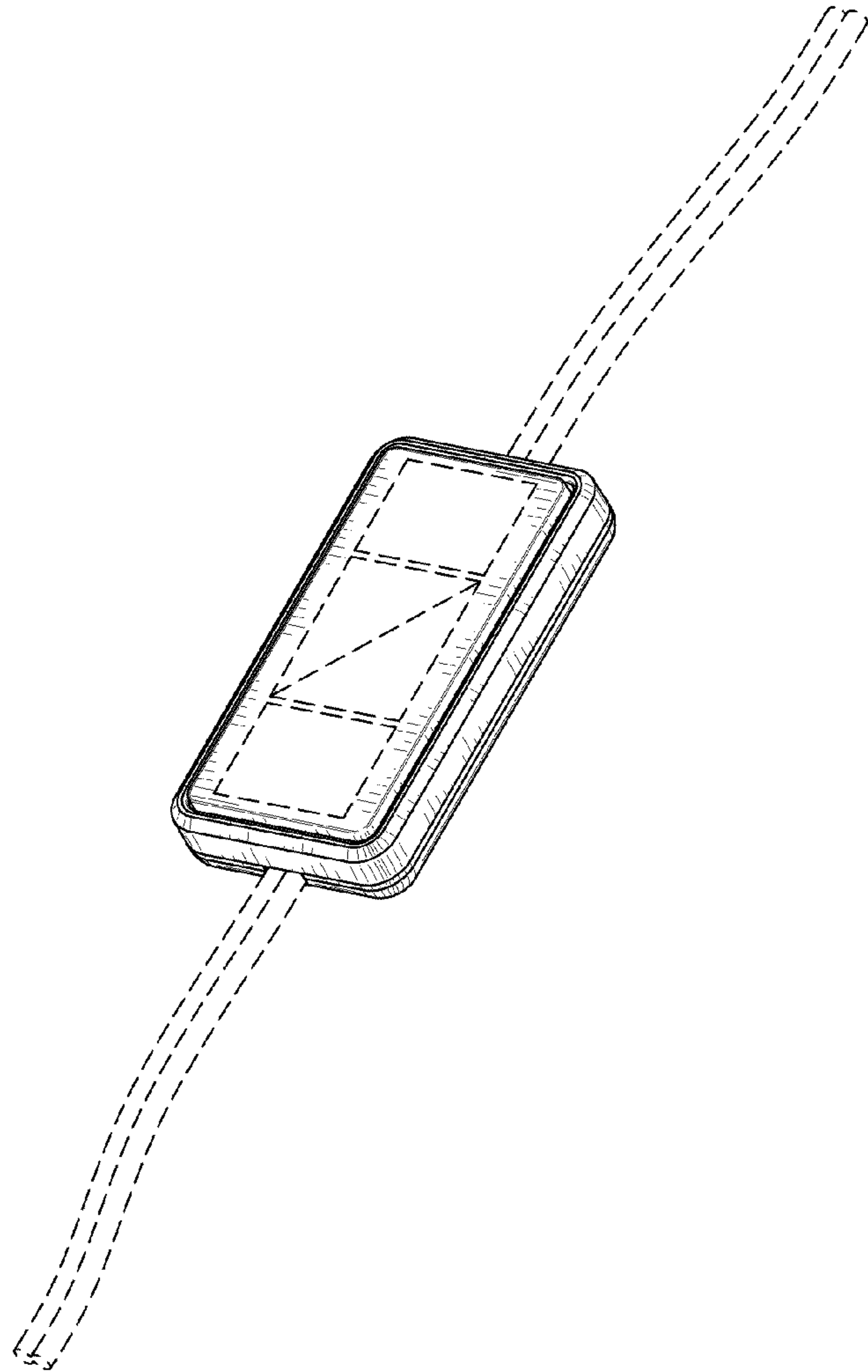


Fig. 1

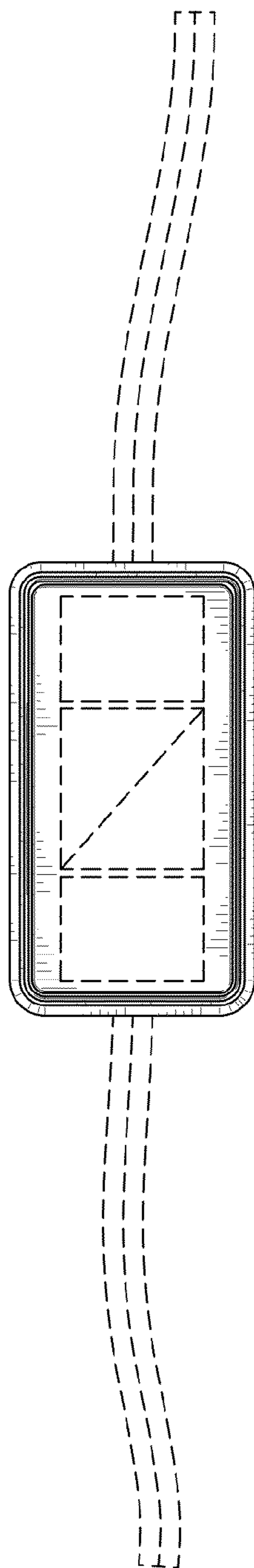


Fig. 2

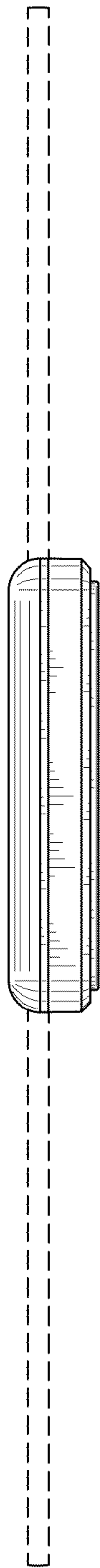


Fig. 3

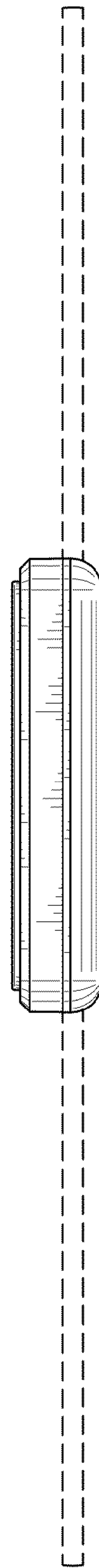


Fig. 4

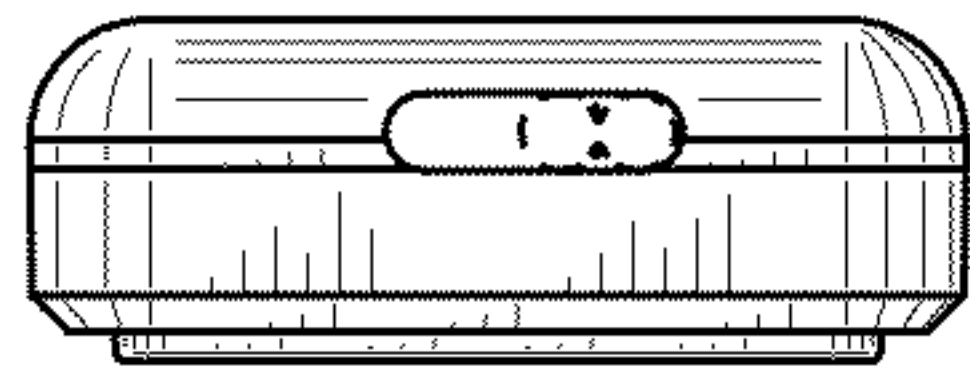


Fig. 5

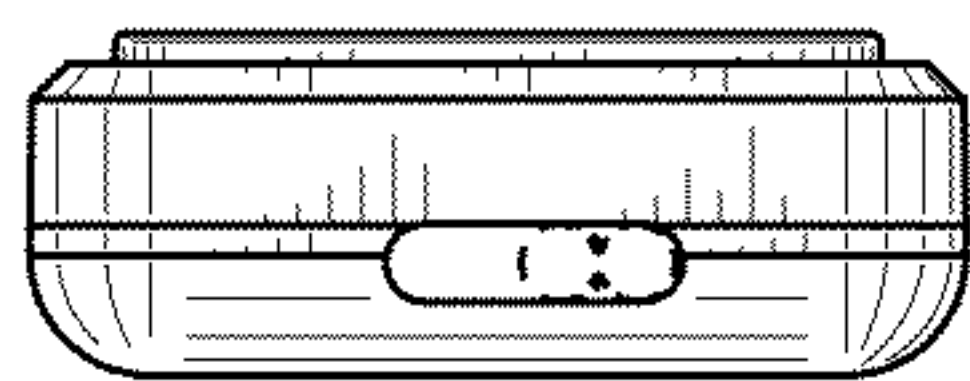


Fig. 6

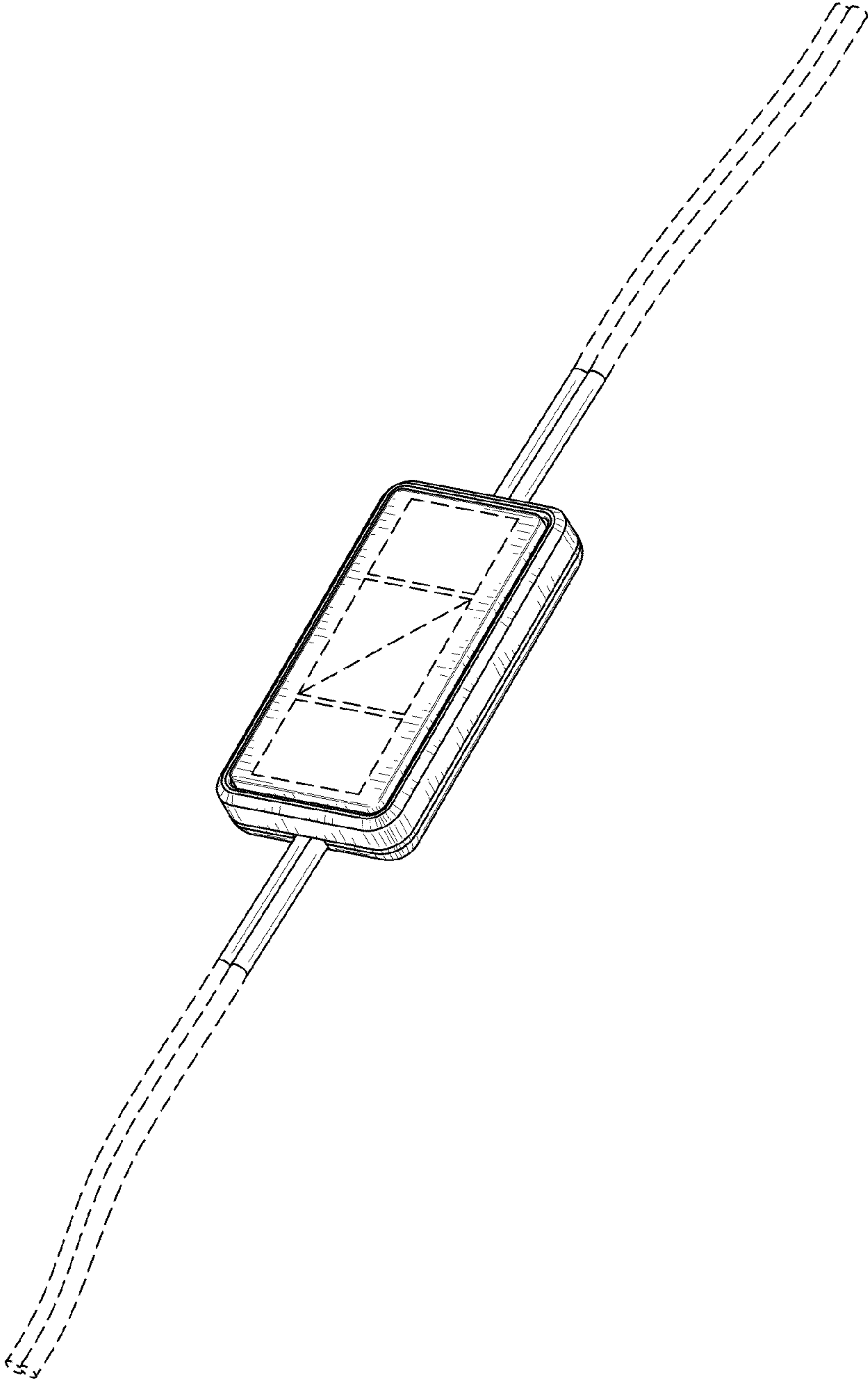


Fig. 7

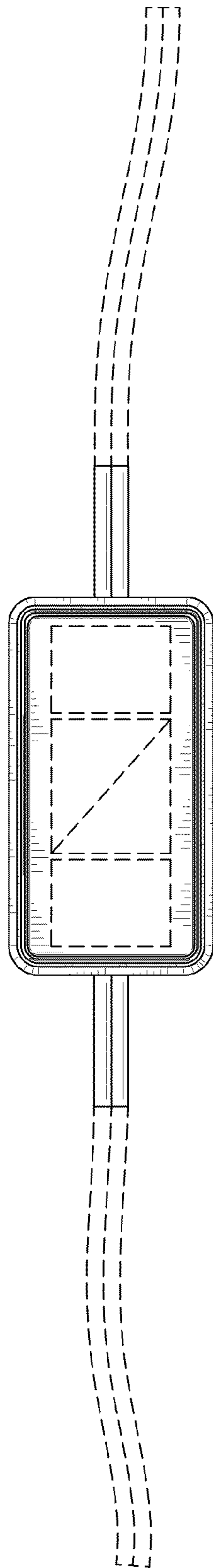


Fig. 8

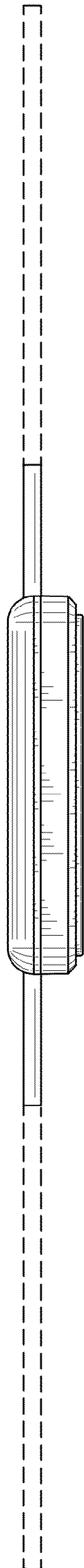


Fig. 9

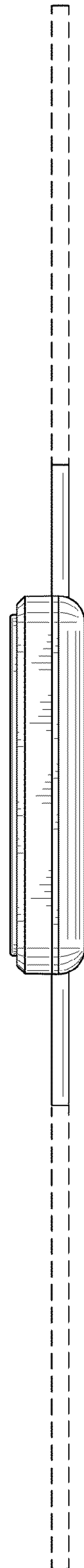


Fig. 10

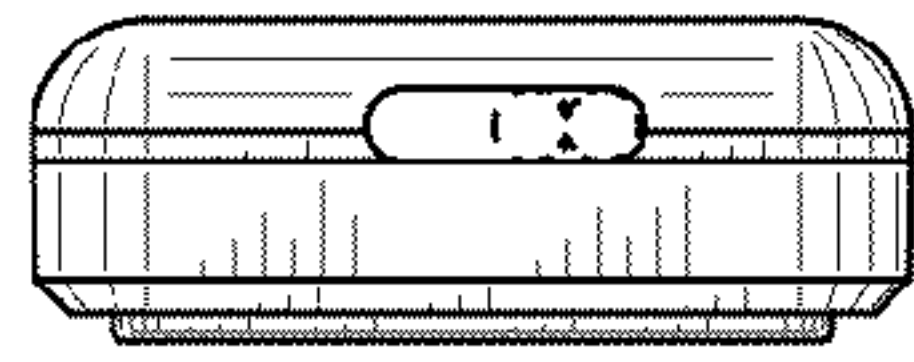


Fig. 11

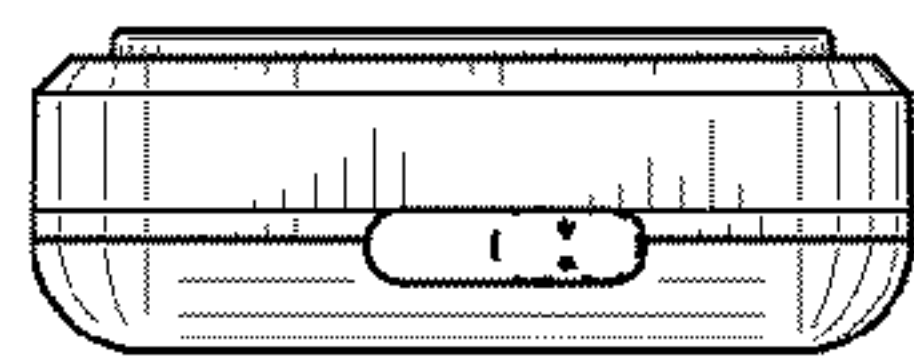


Fig. 12