



US00D735146S

(12) **United States Design Patent**
Sawada

(10) **Patent No.:** **US D735,146 S**
(45) **Date of Patent:** **** Jul. 28, 2015**

(54) **EFFECTS PEDAL**

(71) Applicant: **ROLAND CORPORATION**, Shizuoka (JP)

(72) Inventor: **Shigeru Sawada**, Shizuoka (JP)

(73) Assignee: **ROLAND CORPORATION**, Shizuoka (JP)

(**) Term: **14 Years**

(21) Appl. No.: **29/482,590**

(22) Filed: **Feb. 20, 2014**

(51) **LOC (10) Cl.** **13-03**

(52) **U.S. Cl.**
USPC **D13/167**; D17/20

(58) **Field of Classification Search**
USPC D13/167; D17/1, 9, 20, 99; D15/72;
84/721, 746; 200/86.5
CPC G10H 1/348; G06F 3/0334; H01H 13/16;
H01H 21/26; H01H 3/14
See application file for complete search history.

| | | | | | |
|--------------|------|---------|-----------------|-------|----------|
| D563,905 | S * | 3/2008 | Pollard | | D13/167 |
| 7,428,439 | B1 * | 9/2008 | Reynolds et al. | | 700/17 |
| 7,476,799 | B2 * | 1/2009 | Purchon et al. | | 84/746 |
| D592,157 | S * | 5/2009 | Shields et al. | | D13/167 |
| D592,696 | S * | 5/2009 | Gooday | | D17/20 |
| D669,037 | S * | 10/2012 | Becker | | D13/167 |
| D669,441 | S * | 10/2012 | Naef et al. | | D13/167 |
| 8,338,689 | B1 * | 12/2012 | Beaty | | 84/746 |
| 8,525,015 | B2 * | 9/2013 | Armstrong | | 84/746 |
| 8,536,438 | B2 * | 9/2013 | Goto | | 84/746 |
| 8,604,326 | B2 * | 12/2013 | Ellis | | 84/426 |
| 8,802,961 | B2 * | 8/2014 | Juskiewicz | | 84/746 |
| 9,035,165 | B2 * | 5/2015 | Cho | | 84/746 |
| 2002/0079204 | A1 * | 6/2002 | Overstreet | | 200/86.5 |
| 2008/0173164 | A1 * | 7/2008 | Francis et al. | | 84/721 |
| 2009/0199700 | A1 * | 8/2009 | Goldstein | | 84/746 |
| 2009/0205937 | A1 * | 8/2009 | Kuehner et al. | | 200/86.5 |
| 2015/0114808 | A1 * | 4/2015 | Braaten | | 200/86.5 |

* cited by examiner

Primary Examiner — Selina Sikder

(74) *Attorney, Agent, or Firm* — Jianq Chyun IP Office

(57) **CLAIM**

The ornamental design for an effects pedal, as shown and described.

DESCRIPTION

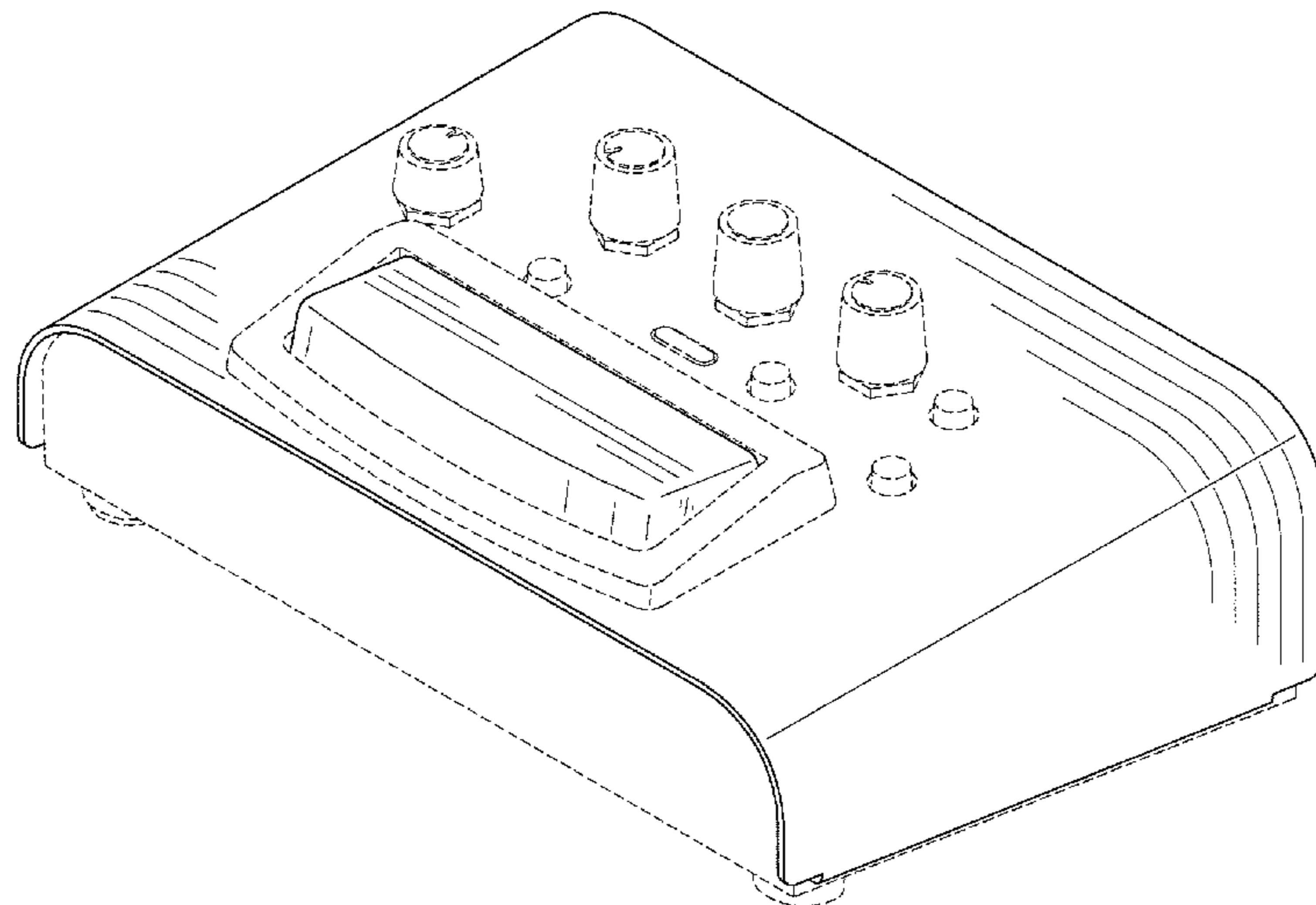
FIG. 1 is a perspective view of an effects pedal showing my new design;
FIG. 2 is a front view thereof;
FIG. 3 is a rear view thereof;
FIG. 4 is a left side view thereof;
FIG. 5 is a right side view thereof;
FIG. 6 is a top view thereof; and,
FIG. 7 is a bottom view thereof.
The broken line portions of the effects pedal in FIGS. 1-7 represent unclaimed portions of the claimed design and form no part thereof.

1 Claim, 5 Drawing Sheets

(56) **References Cited**

U.S. PATENT DOCUMENTS

| | | | | | |
|-----------|------|---------|----------------|-------|-----------|
| 3,017,497 | A * | 1/1962 | Albright | | 362/394 |
| D249,505 | S * | 9/1978 | Di Bonaventura | | D13/167 |
| 5,568,859 | A * | 10/1996 | Levy et al. | | 200/43.01 |
| D398,290 | S * | 9/1998 | McClintock | | D13/167 |
| D400,560 | S * | 11/1998 | Ridinger | | D17/20 |
| 5,981,862 | A * | 11/1999 | Geier, Jr. | | 84/746 |
| 6,064,015 | A * | 5/2000 | Braaten | | 200/86.5 |
| 6,215,055 | B1 * | 4/2001 | Saravis | | 84/422.1 |
| D459,381 | S * | 6/2002 | Ridinger | | D17/20 |
| D504,458 | S * | 4/2005 | Edwards | | D17/20 |
| D518,086 | S * | 3/2006 | Ito | | D17/99 |
| D520,553 | S * | 5/2006 | Bogdan et al. | | D17/20 |
| D561,241 | S * | 2/2008 | Ridinger | | D17/99 |



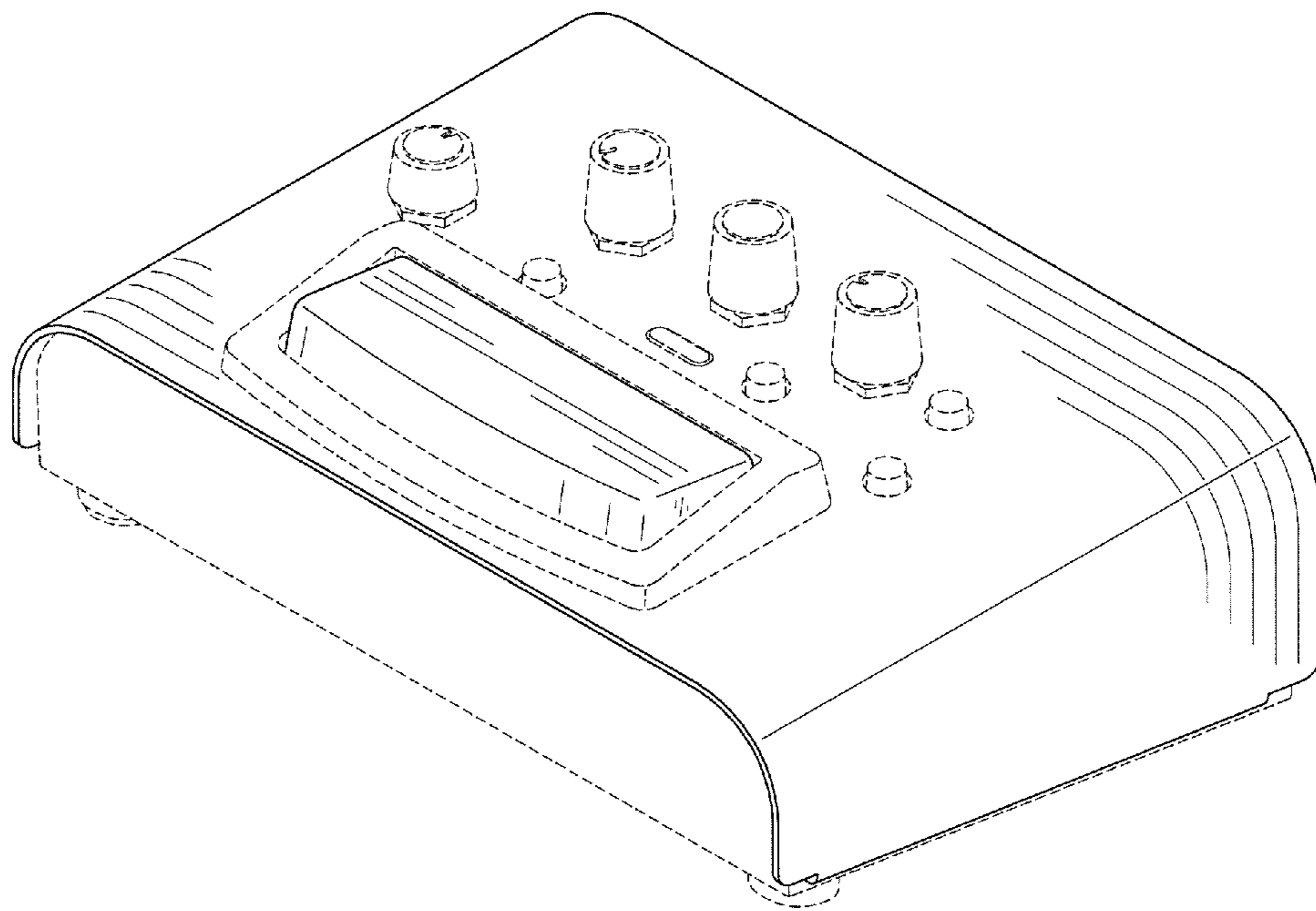


FIG. 1

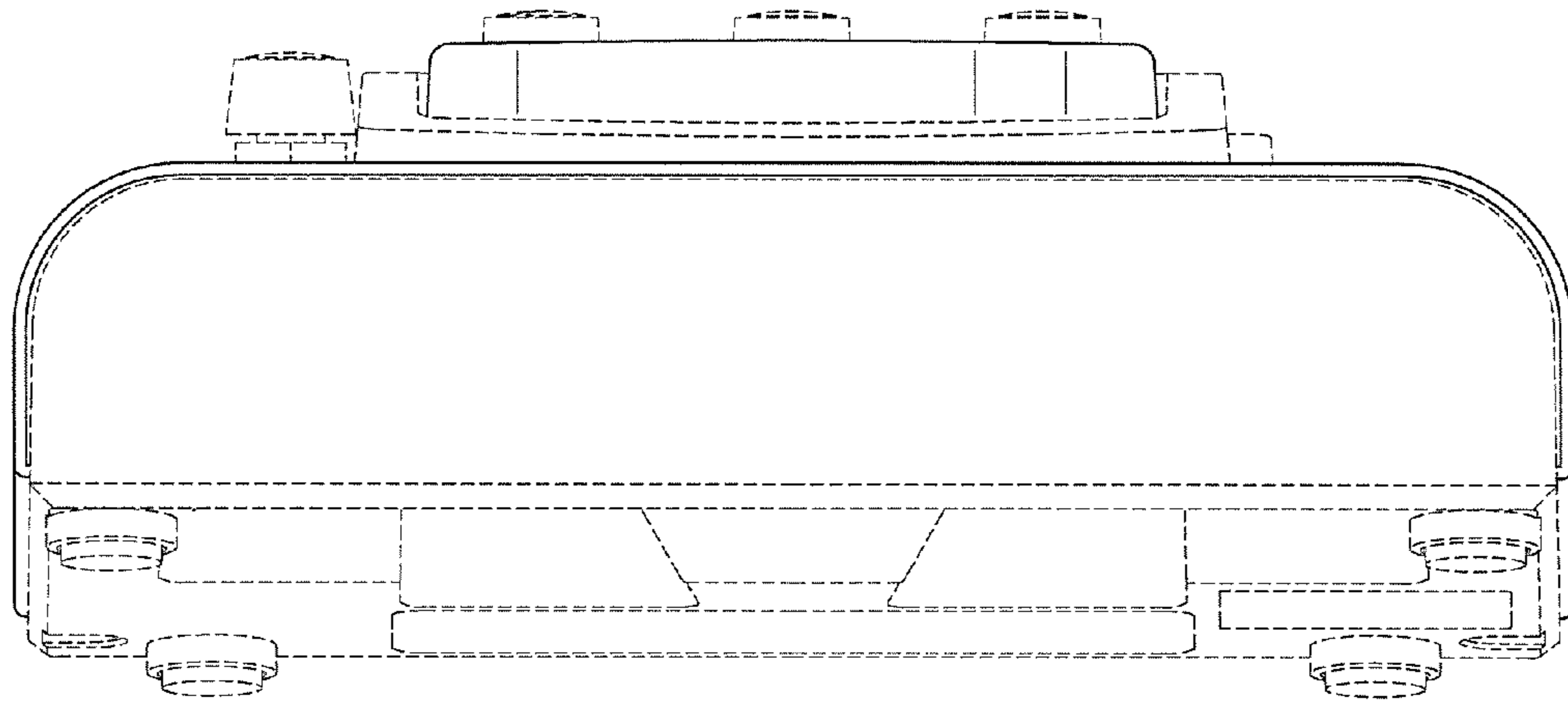


FIG. 2

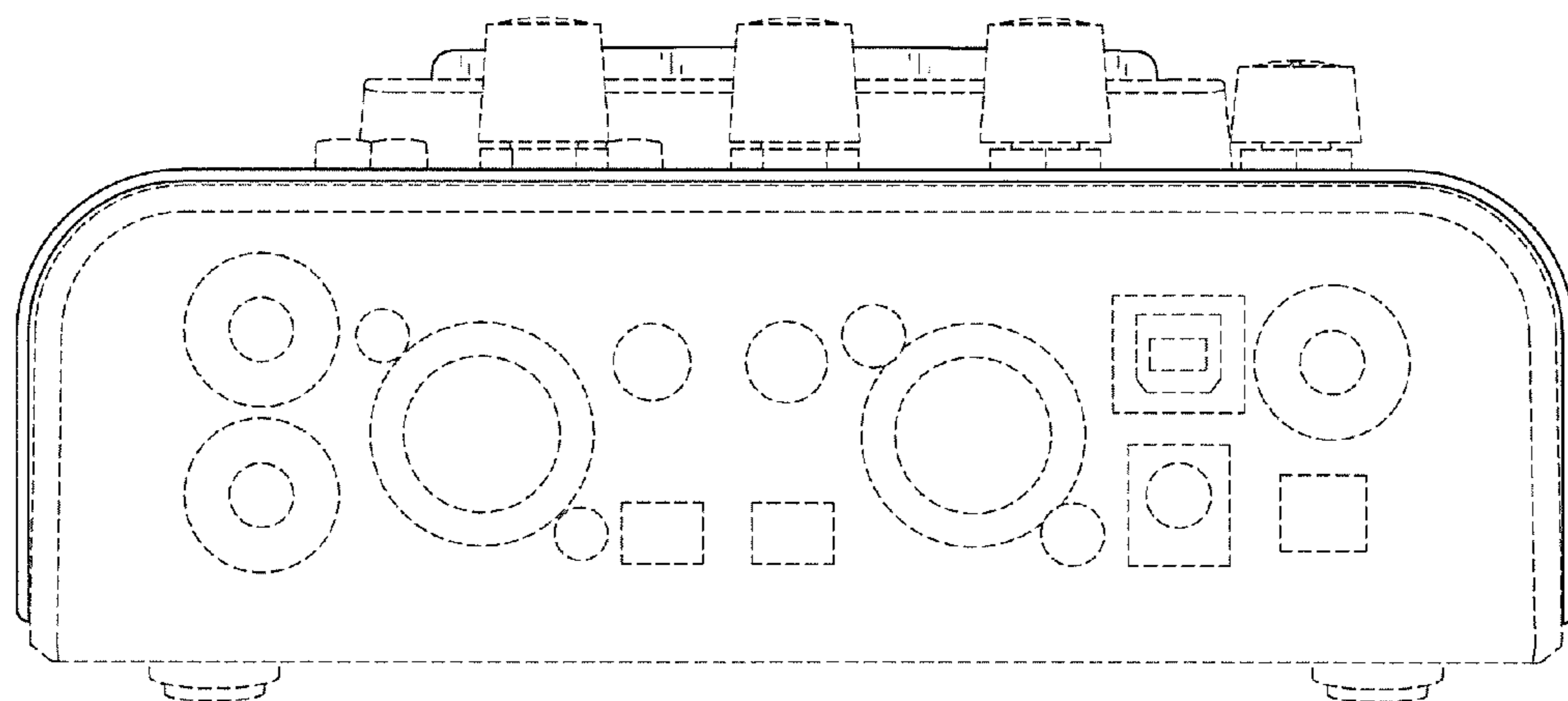


FIG. 3

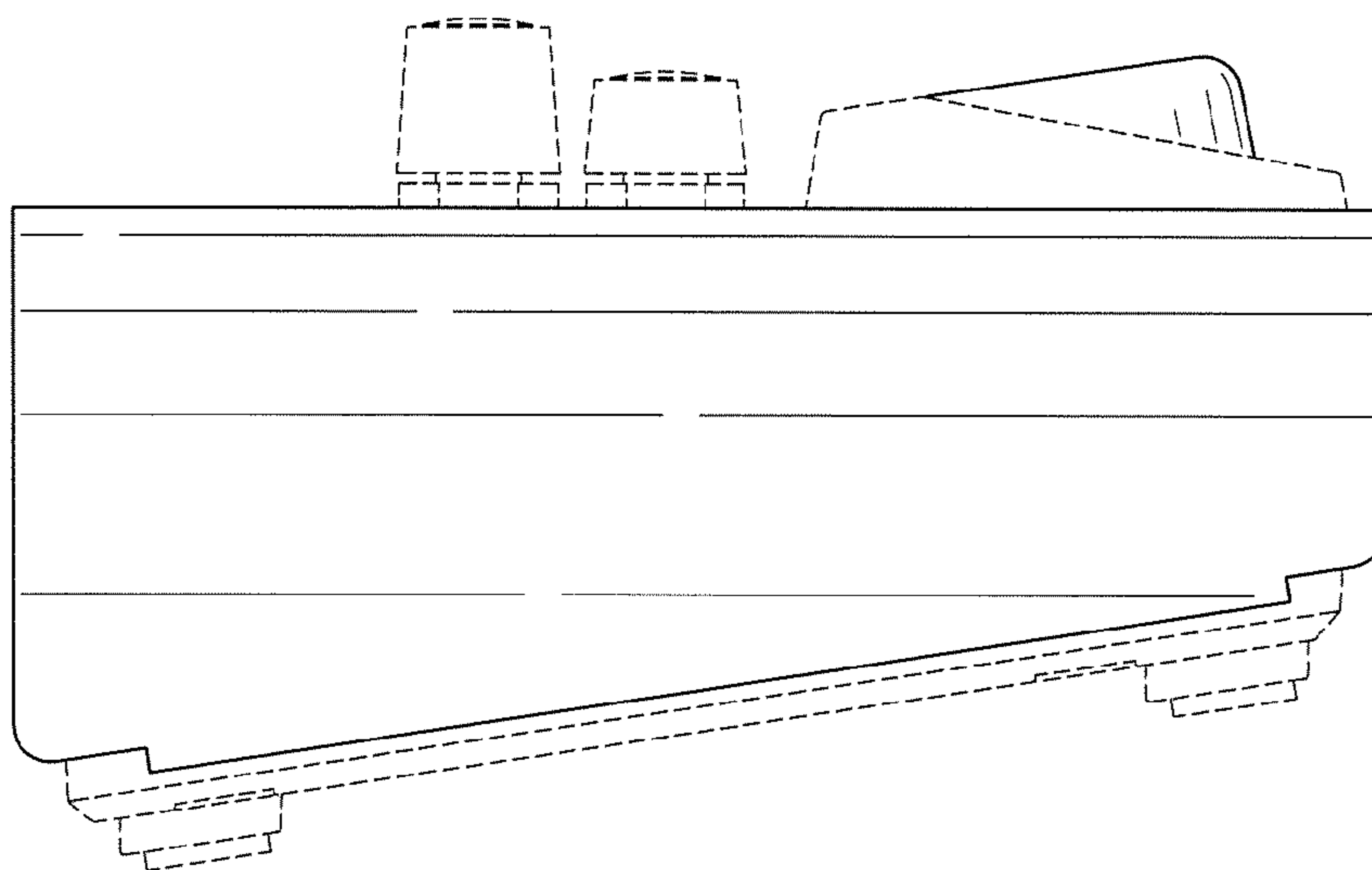


FIG. 4

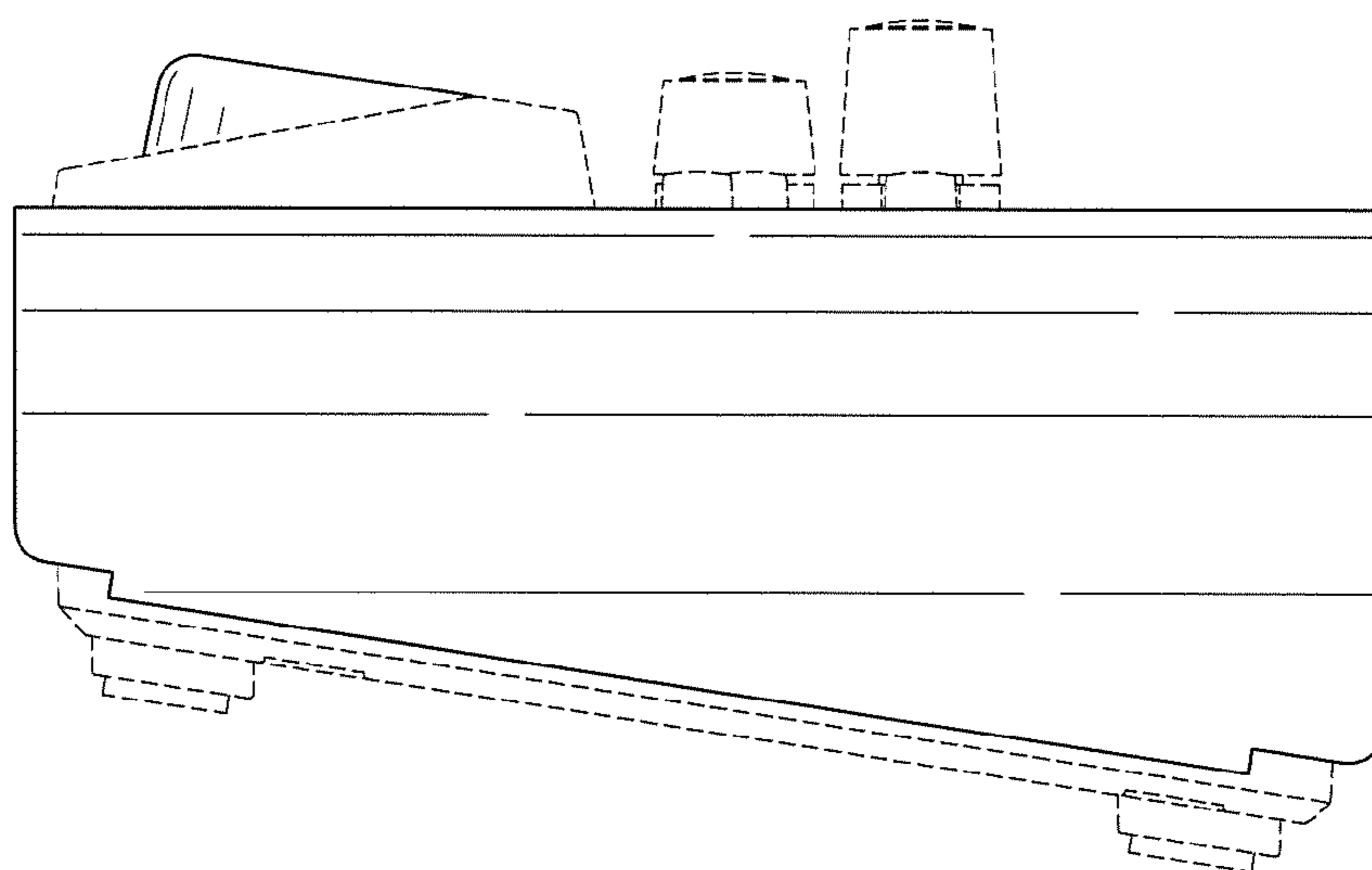


FIG. 5

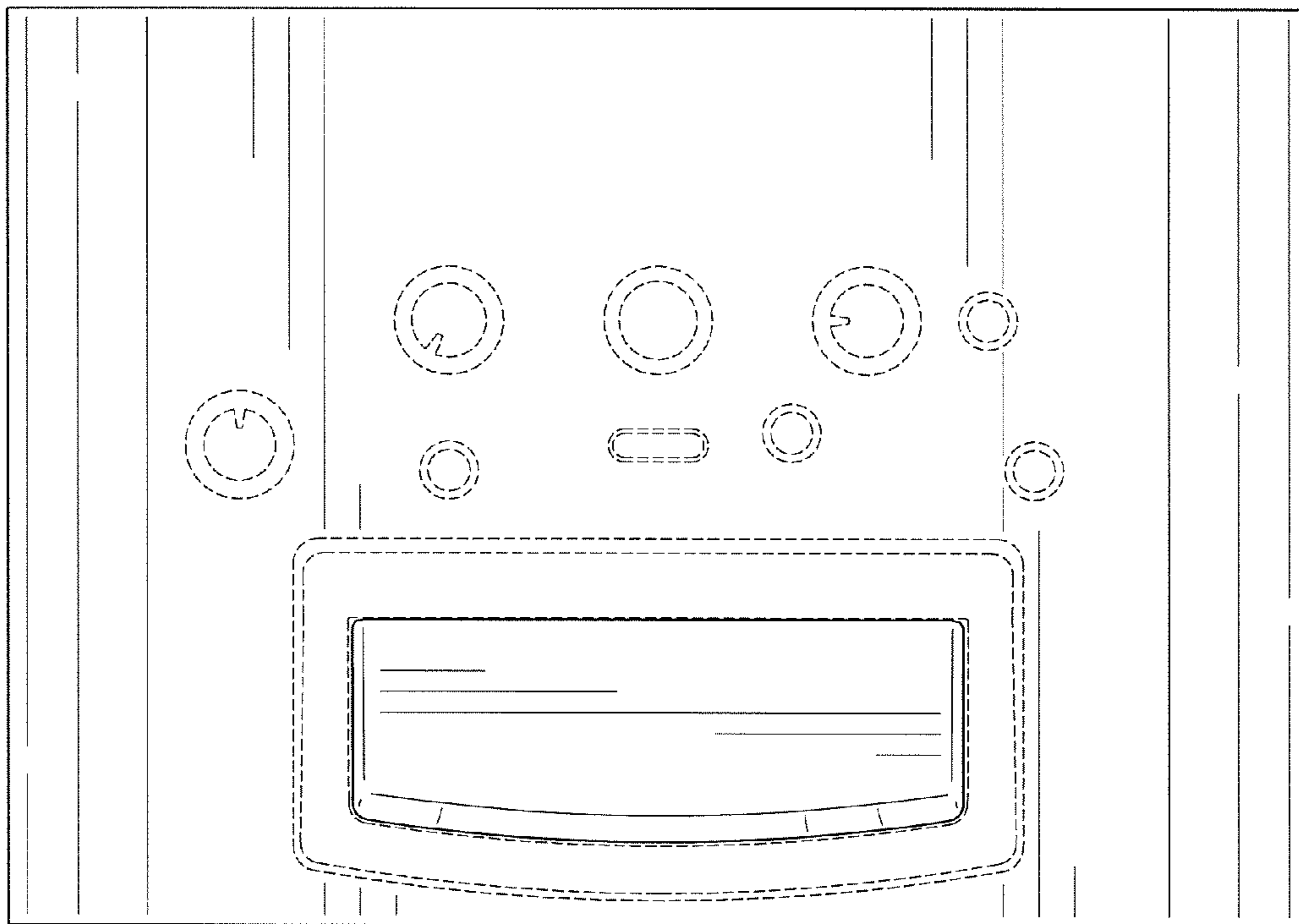


FIG. 6

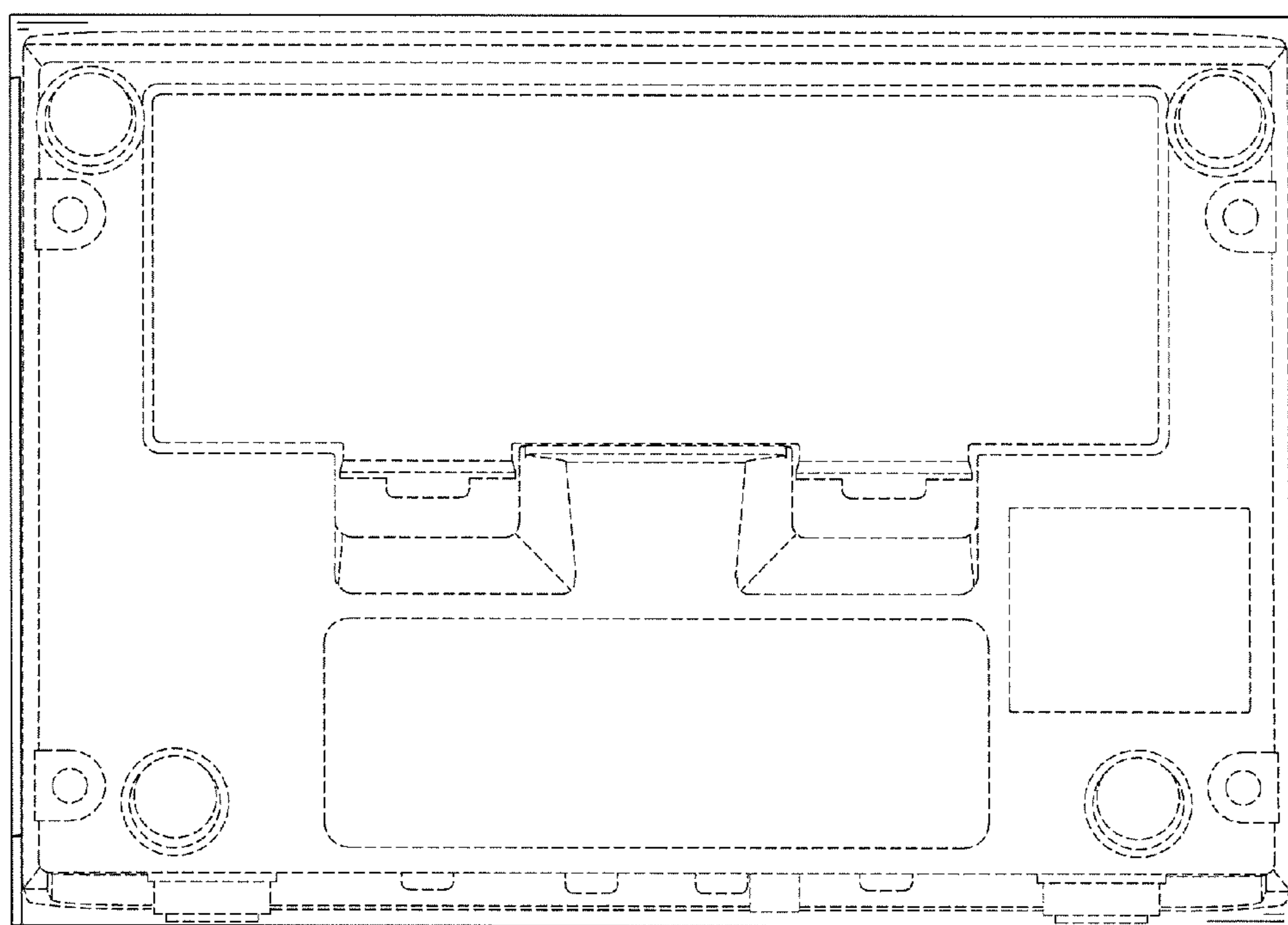


FIG. 7