



US00D735144S

(12) **United States Design Patent**  
**Restrepo et al.**

(10) **Patent No.:** **US D735,144 S**  
(45) **Date of Patent:** **\*\* Jul. 28, 2015**

(54) **TOUCH SCREEN WIRING DEVICE**

(71) Applicants: **Carlos Eduardo Restrepo**, Atlanta, GA (US); **Du Li Li**, Shanghai (CN); **Zhang Xian Zhen**, Shanghai (CN)

(72) Inventors: **Carlos Eduardo Restrepo**, Atlanta, GA (US); **Du Li Li**, Shanghai (CN); **Zhang Xian Zhen**, Shanghai (CN)

(73) Assignee: **Cooper Technologies Company**, Houston, TX (US)

(\*\*) Term: **14 Years**

(21) Appl. No.: **29/435,561**

(22) Filed: **Oct. 25, 2012**

(51) **LOC (10) Cl.** ..... **13-03**

(52) **U.S. Cl.**  
USPC ..... **D13/162**

(58) **Field of Classification Search**  
USPC ..... D13/162, 174, 177; 174/66; 307/112, 307/115, 125, 139, 157; 315/209 R, 224, 315/246, 291, 294, 295; 200/5 R, 5 A, 1 B, 200/520, 530, 293, 296, 302.1, 302.2, 308, 200/310, 314, 329, 341; 338/198-200; 362/95

See application file for complete search history.

(56) **References Cited**

**U.S. PATENT DOCUMENTS**

3,997,820	A *	12/1976	Stefani	.....	361/820
4,780,573	A *	10/1988	Own	.....	174/66
5,153,816	A *	10/1992	Griffin	.....	361/832
5,196,782	A *	3/1993	D'Aleo et al.	.....	323/320
5,876,106	A *	3/1999	Kordecki	.....	362/29
6,423,897	B1 *	7/2002	Roesch et al.	.....	174/50

6,717,083	B2 *	4/2004	Chen et al.	.....	200/310
6,808,283	B2 *	10/2004	Tsao	.....	362/95
6,853,432	B2 *	2/2005	Ootsuta et al.	.....	349/158
6,963,040	B1 *	11/2005	Urman	.....	200/310
D515,448	S *	2/2006	Nelson et al.	.....	D10/114.1
7,119,297	B2 *	10/2006	Katagiri	.....	200/345
D645,001	S *	9/2011	Margolin et al.	.....	D13/162
D658,591	S *	5/2012	Margolin et al.	.....	D13/162
8,373,313	B2 *	2/2013	Garcia et al.	.....	307/141
2010/0252296	A1 *	10/2010	Wiggins	.....	174/66
2013/0030589	A1 *	1/2013	Pessina et al.	.....	700/295
2013/0257315	A1 *	10/2013	Restrepo et al.	.....	315/362

\* cited by examiner

*Primary Examiner* — Selina Sikder

(74) *Attorney, Agent, or Firm* — King & Spalding LLP

(57) **CLAIM**

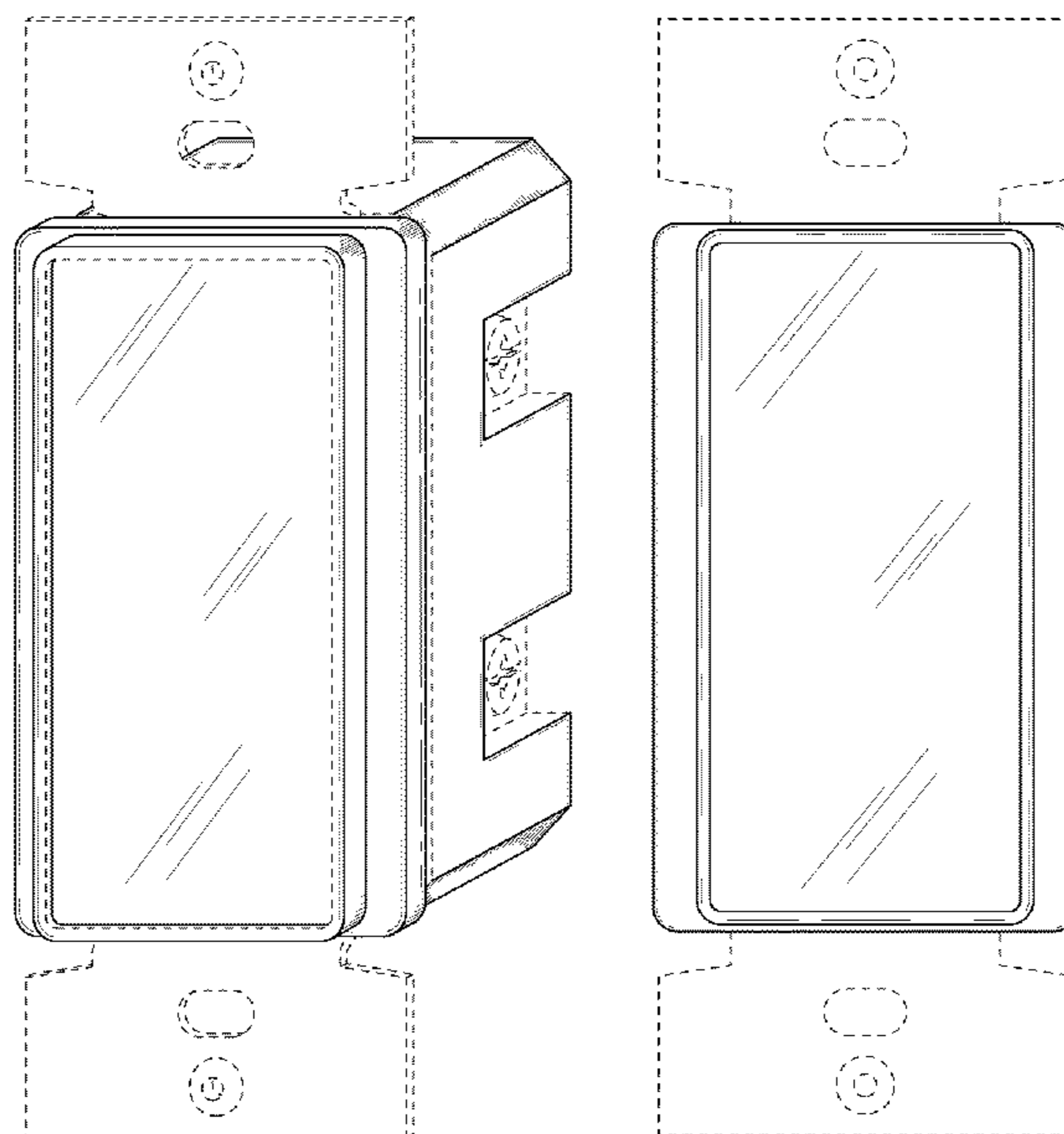
The ornamental design for a touch screen wiring device, as shown and described.

**DESCRIPTION**

FIG. 1 is a side perspective view of the ornamental design for a touch screen wiring device;  
 FIG. 2 is a front elevation view of the touch screen wiring device FIG. 1;  
 FIG. 3 is a left-side elevation view of the touch screen wiring device of FIG. 1;  
 FIG. 4 is a right-side elevation view of the touch screen wiring device of FIG. 1;  
 FIG. 5 is a top plan view of the touch screen wiring device of FIG. 1;  
 FIG. 6 is a bottom plan view of the touch screen wiring device of FIG. 1; and,  
 FIG. 7 is a rear elevation view of the touch screen wiring device of FIG. 1.

The broken lines shown represent unclaimed subject matter and form no part of the claimed design.

**1 Claim, 2 Drawing Sheets**



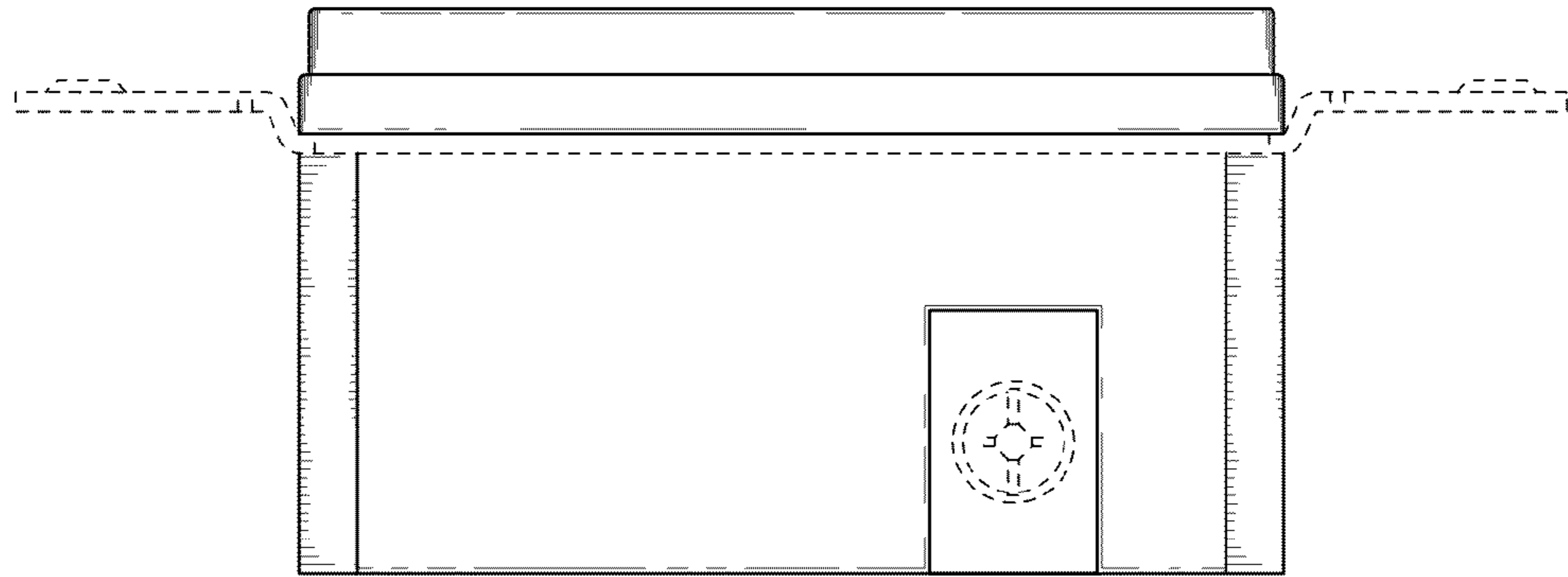


FIG. 3

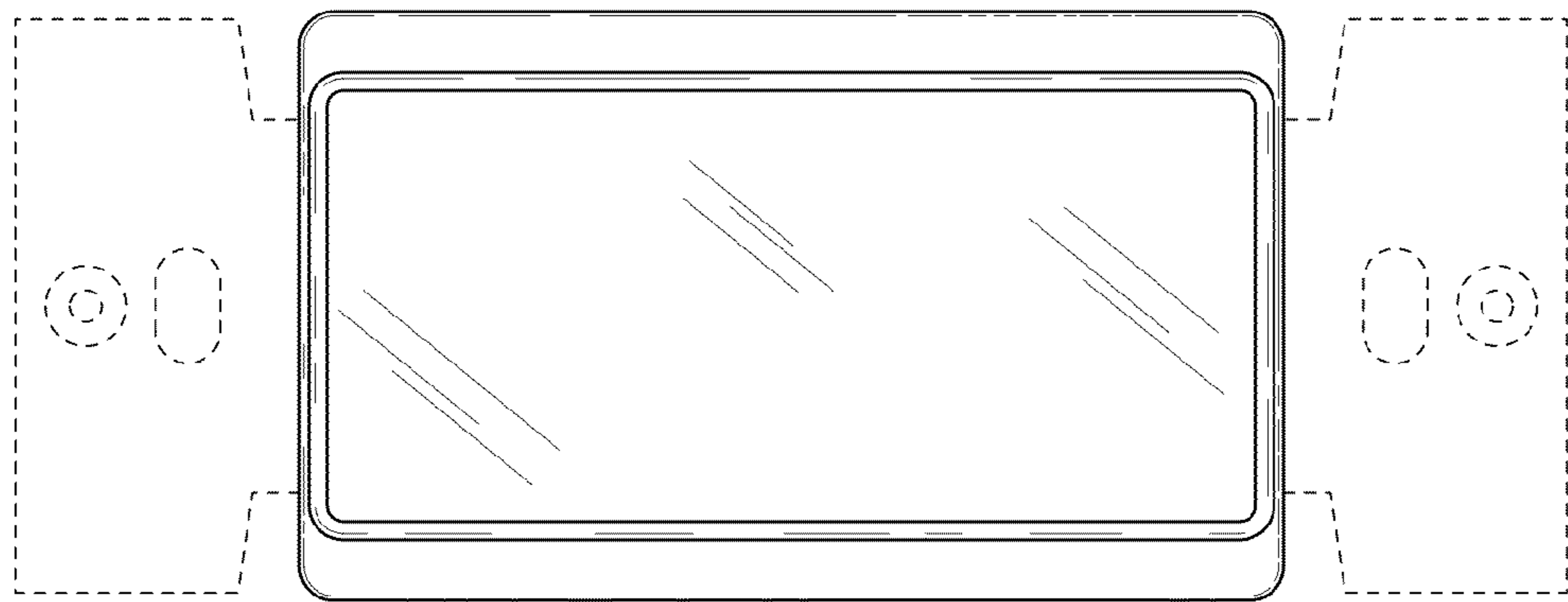


FIG. 2

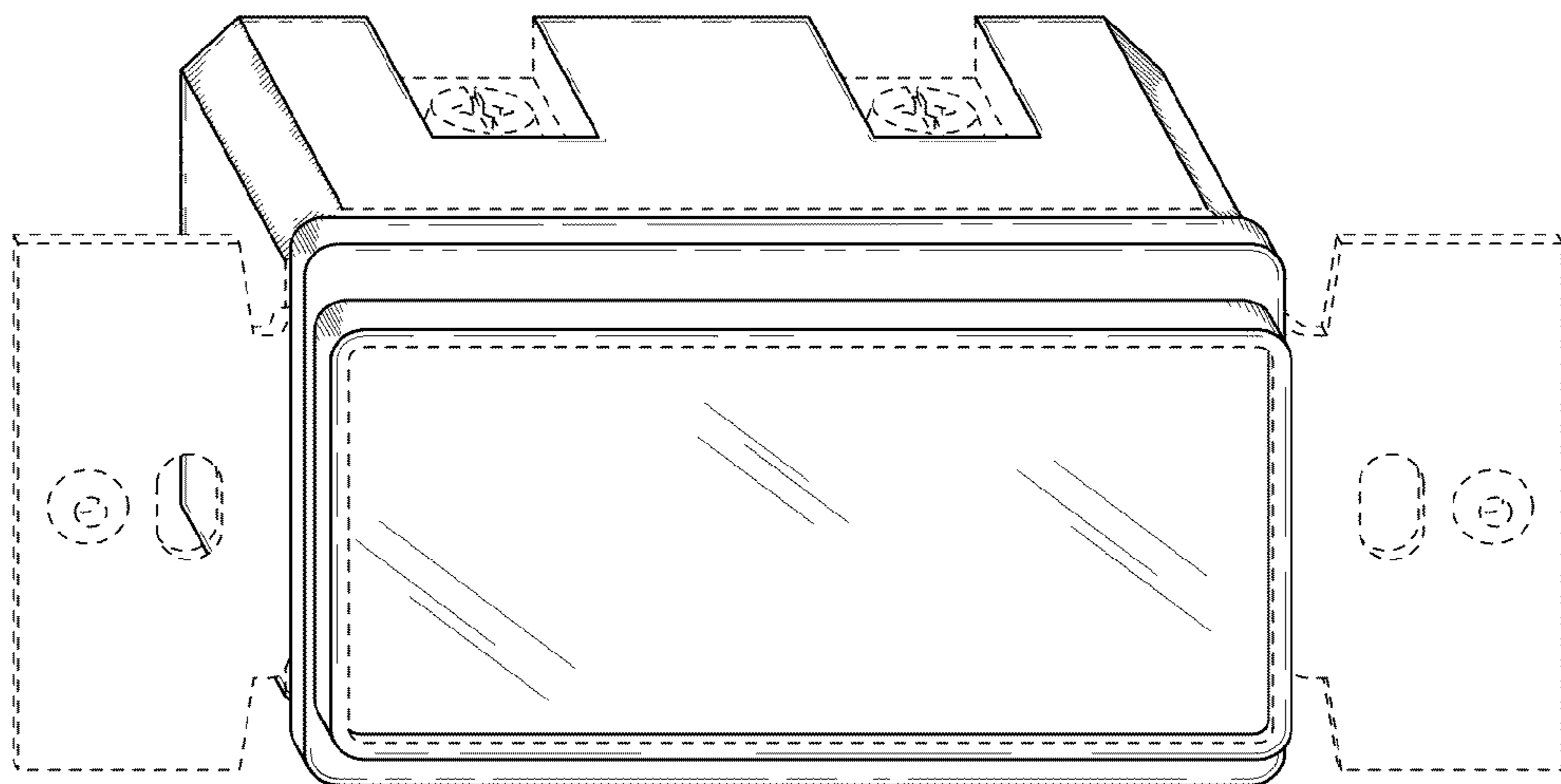


FIG. 1

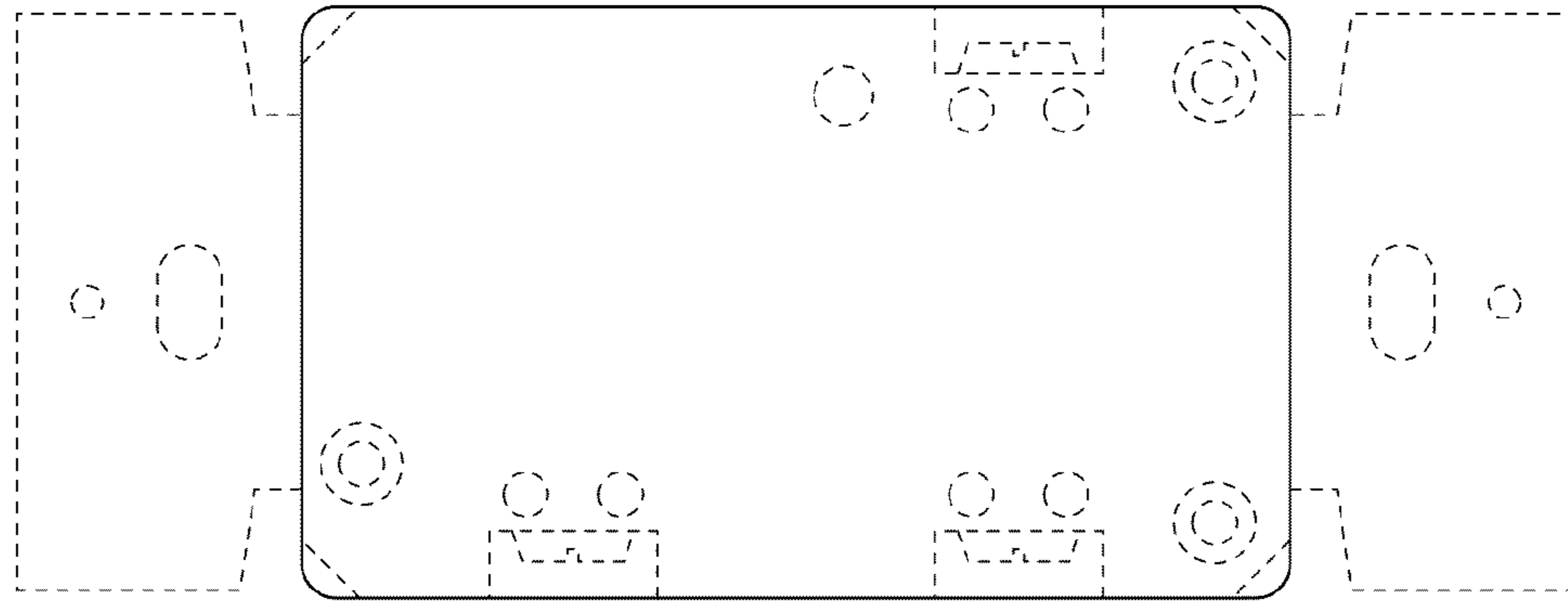


FIG. 7

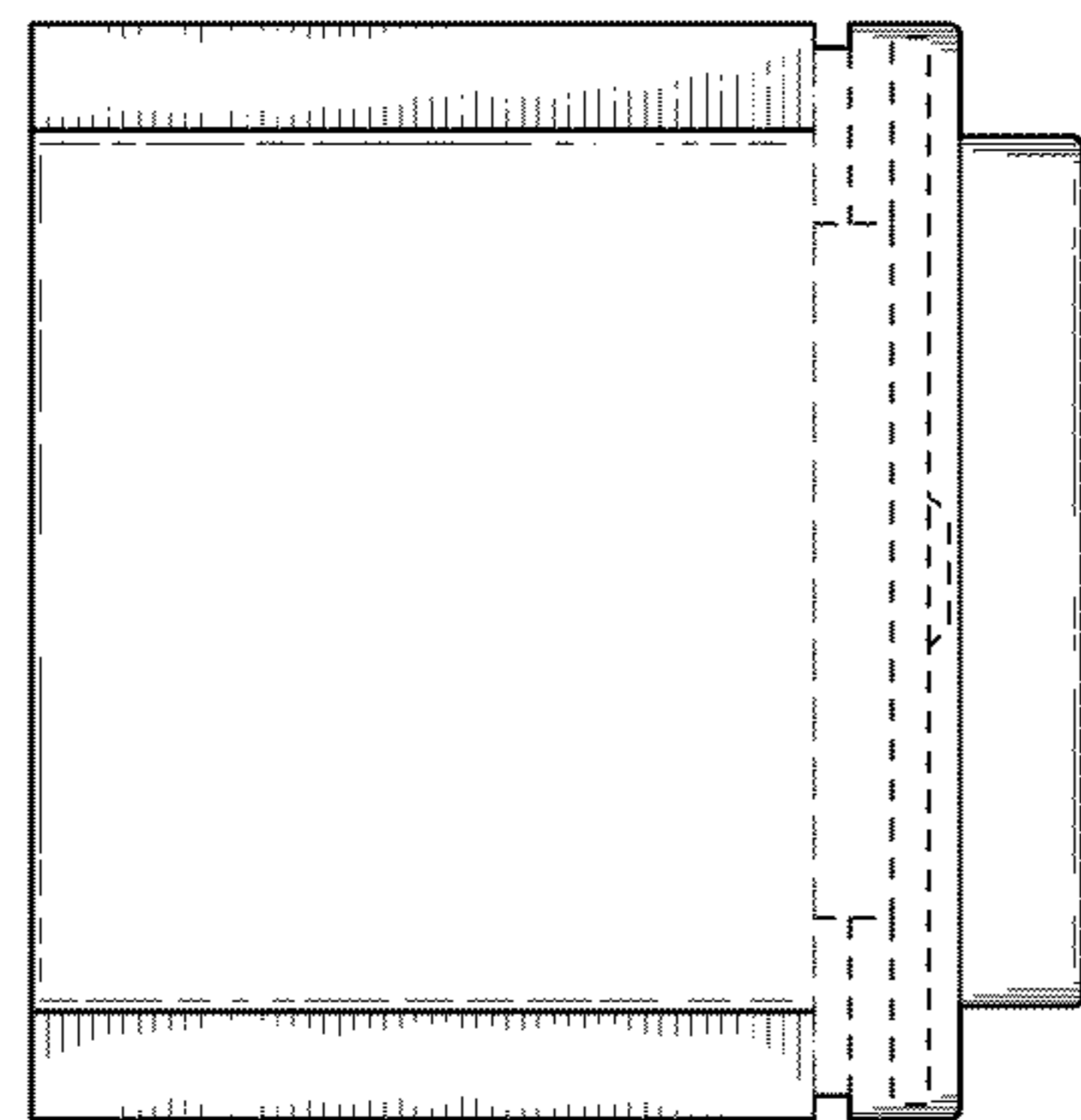


FIG. 5

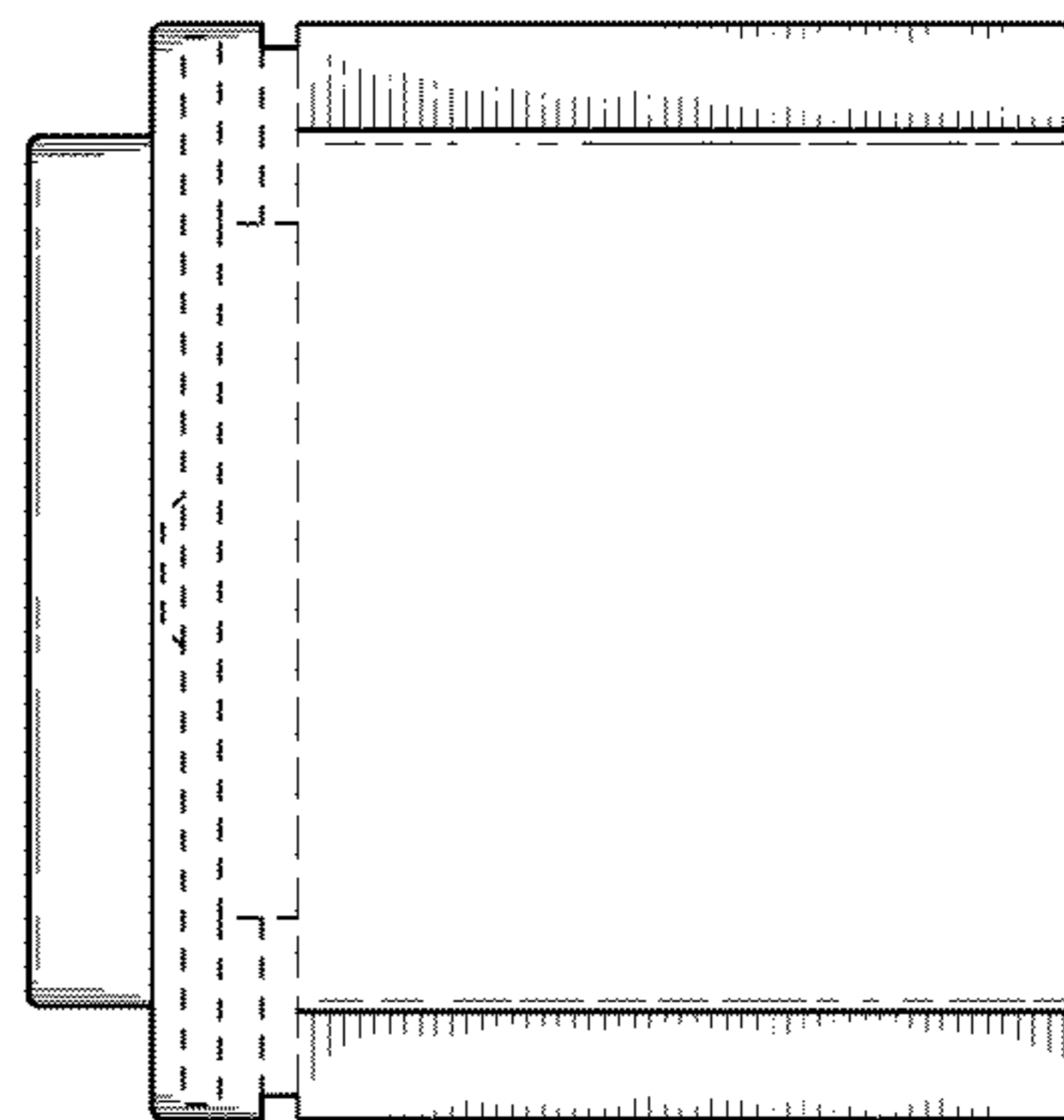


FIG. 6

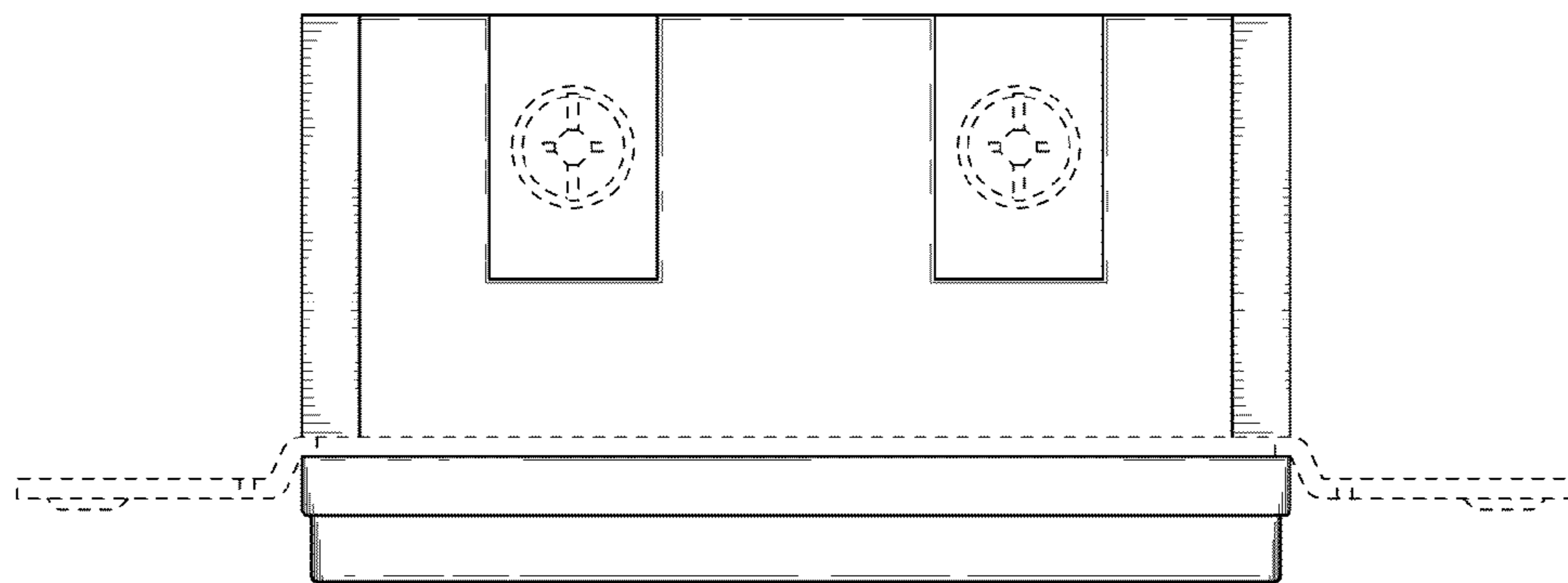


FIG. 4