



US00D735140S

(12) **United States Design Patent**
Liao et al.

(10) **Patent No.:** **US D735,140 S**
(45) **Date of Patent:** **** Jul. 28, 2015**

(54) **OPTICAL FIBER CONNECTOR**

Primary Examiner — Daniel Bui

(71) Applicant: **Delta Electronics, Inc.**, Taoyuan Hsien (TW)

(74) *Attorney, Agent, or Firm* — Muncy, Geissler, Olds & Lowe, P.C.

(72) Inventors: **Yu-Hsien Liao**, Taoyuan Hsien (TW);
Chun-Lin Kuo, Taoyuan Hsien (TW);
Hong-Bin You, Taoyuan Hsien (TW)

(57) **CLAIM**

The ornamental design for an optical fiber connector, as shown and described.

(73) Assignee: **Delta Electronics, Inc.**, Taoyuan Hsien (TW)

DESCRIPTION

(**) Term: **14 Years**

FIG. 1 is a top, front and left side perspective view of the first embodiment of an optical fiber connector showing our new design;

(21) Appl. No.: **29/476,135**

FIG. 2 is a front elevation view thereof;

(22) Filed: **Dec. 11, 2013**

FIG. 3 is a rear elevation view thereof;

(51) **LOC (10) Cl.** **13-03**

FIG. 4 is a left side elevation view thereof;

(52) **U.S. Cl.**

FIG. 5 is a right side elevation view thereof;

USPC **D13/147**

FIG. 6 is a top plan view thereof;

(58) **Field of Classification Search**

FIG. 7 is a bottom plan view thereof;

USPC D13/146, 147, 154, 184, 199

See application file for complete search history.

FIG. 8 is a top, front and left side perspective view of the second embodiment of an optical fiber connector showing our new design;

(56) **References Cited**

FIG. 9 is a front elevation view thereof;

U.S. PATENT DOCUMENTS

FIG. 10 is a rear elevation view thereof;

D524,735 S * 7/2006 Hung et al. D13/123

FIG. 11 is a left side elevation view thereof;

D566,651 S * 4/2008 Chan et al. D13/123

FIG. 12 is a right side elevation view thereof;

D594,455 S * 6/2009 Yang et al. D14/358

FIG. 13 is a top plan view thereof; and,

D675,573 S * 2/2013 Farris-Gilbert et al. D13/147

FIG. 14 is a bottom plan view thereof.

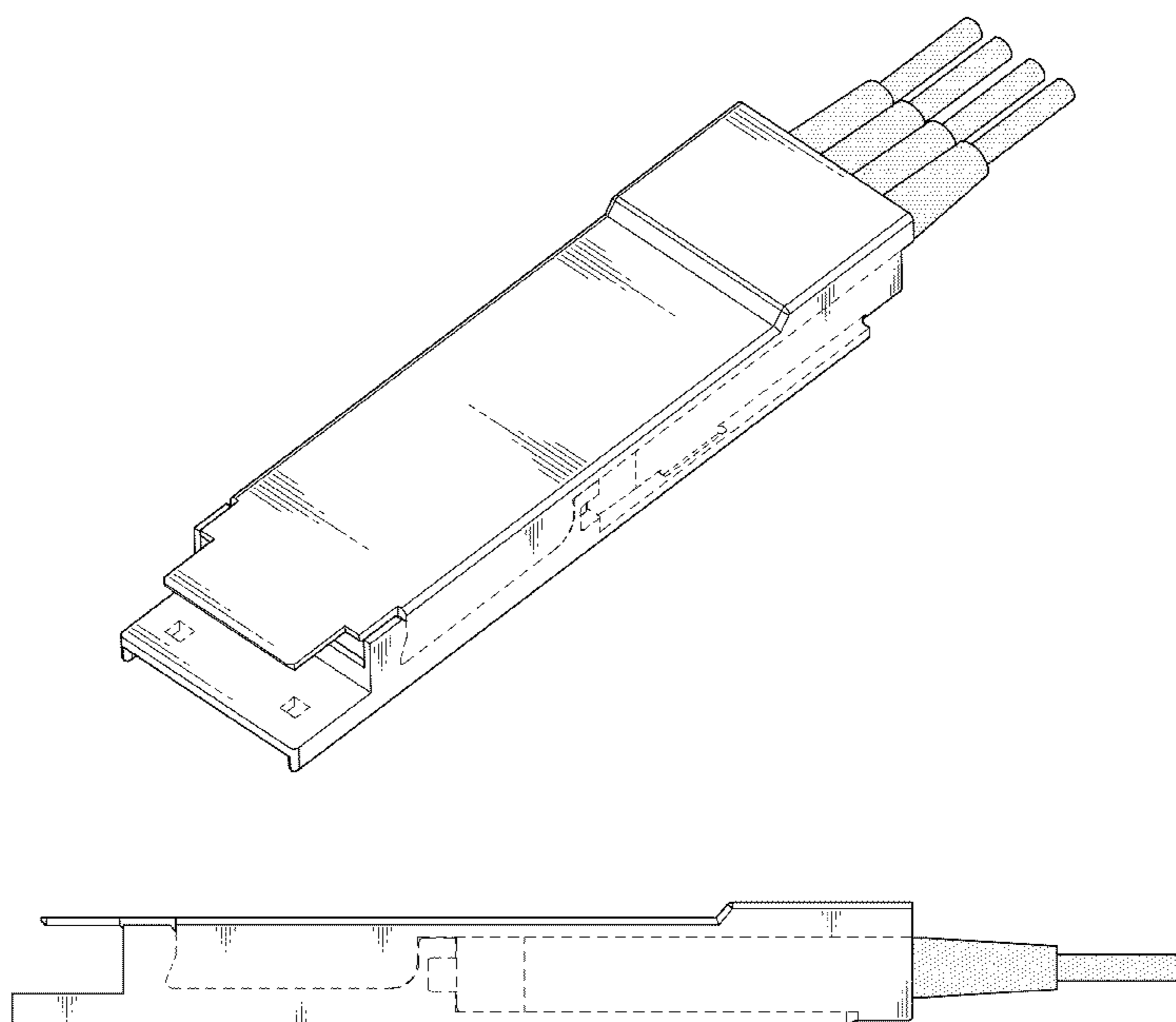
D675,574 S * 2/2013 Farris-Gilbert et al. D13/147

D675,992 S * 2/2013 Farris-Gilbert et al. D13/147

The broken line in the drawing views represents unclaimed environment and forms no part of the claimed design.

* cited by examiner

1 Claim, 10 Drawing Sheets



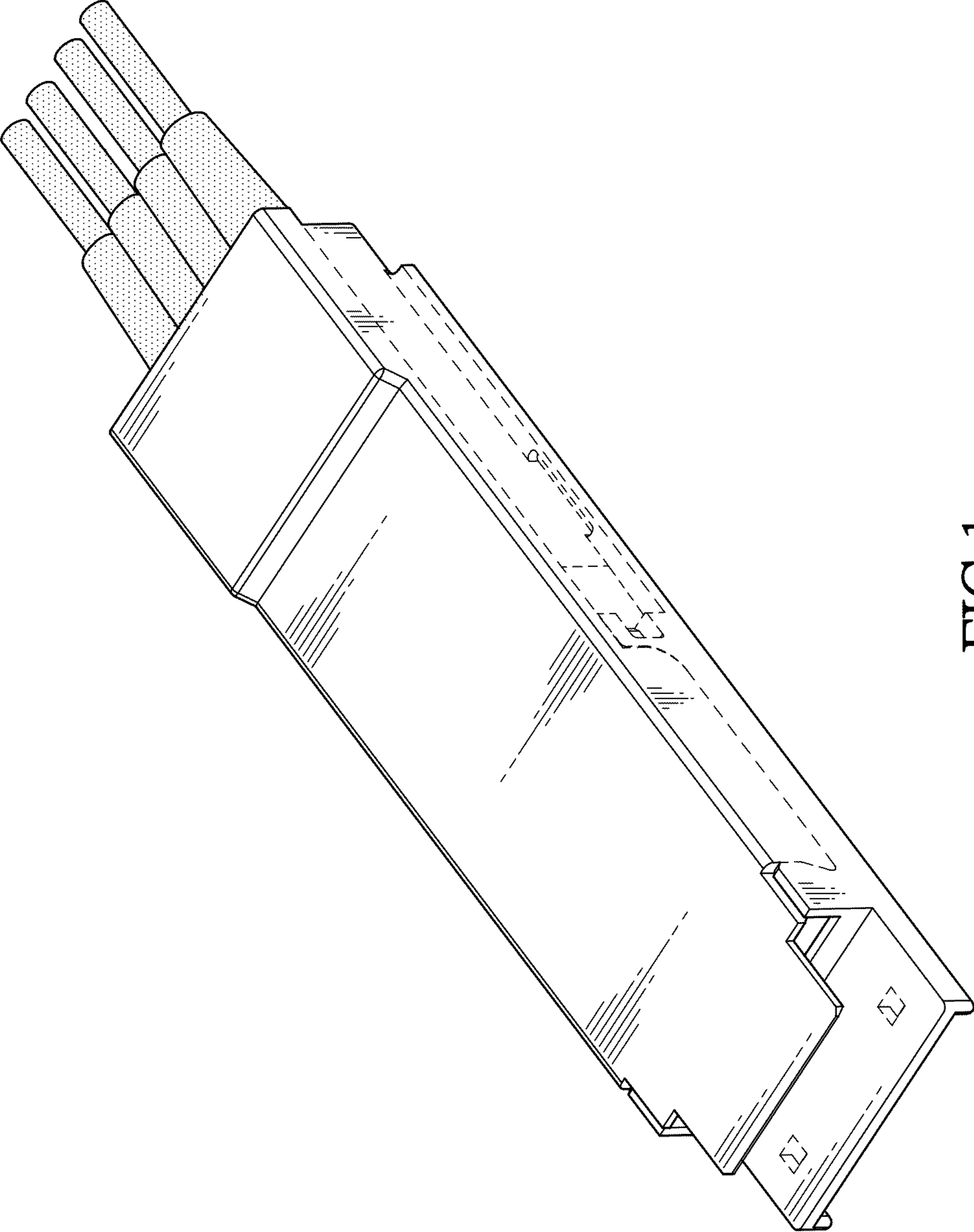


FIG.1

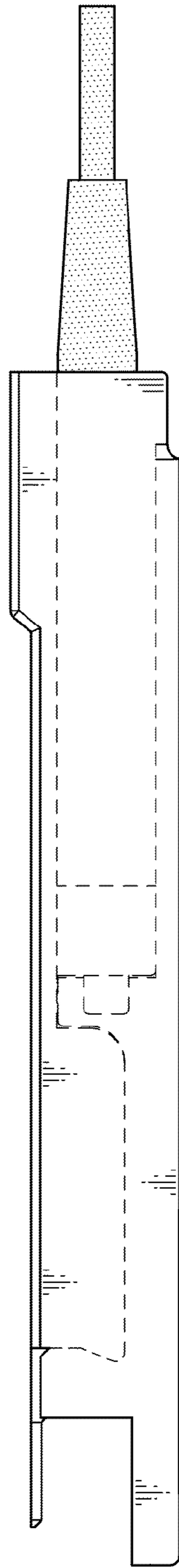


FIG. 2

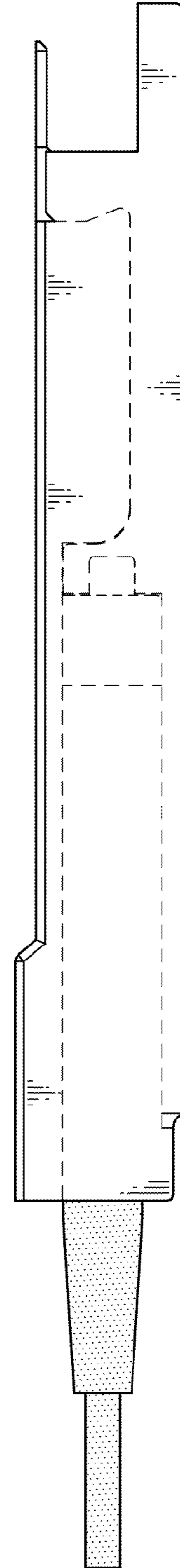


FIG. 3

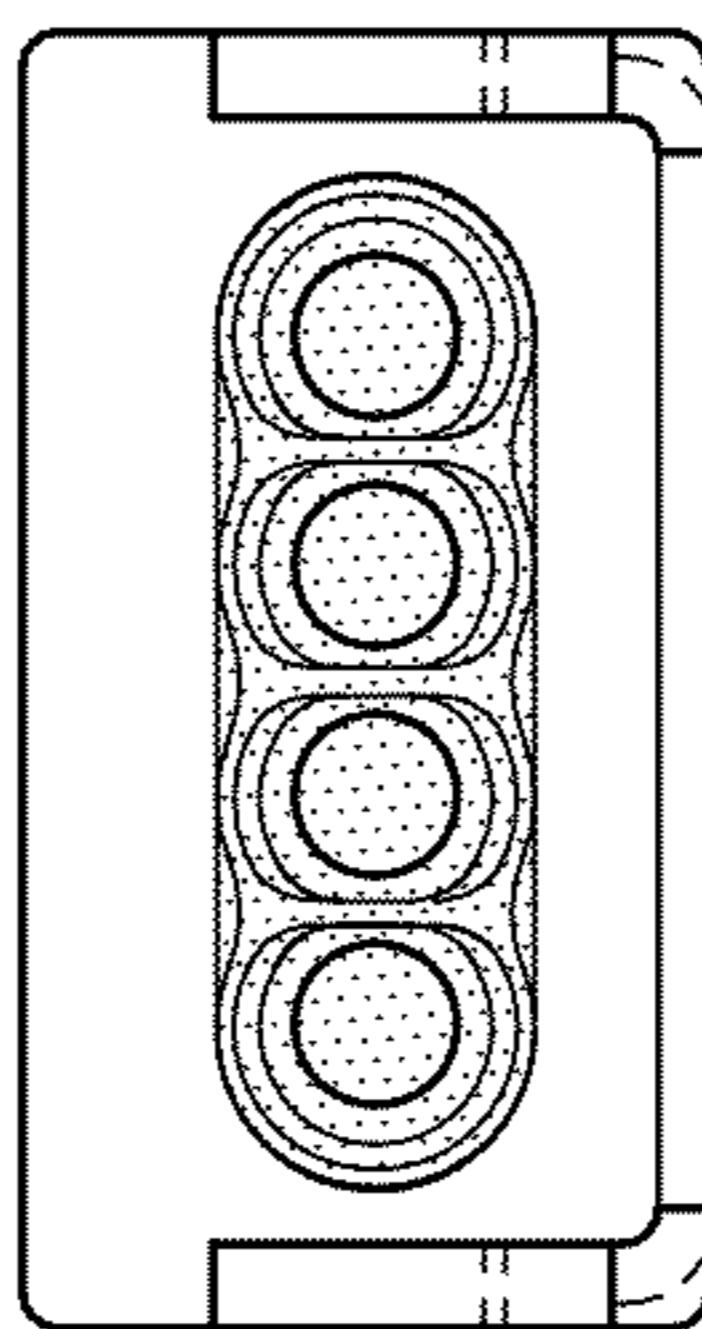


FIG.5

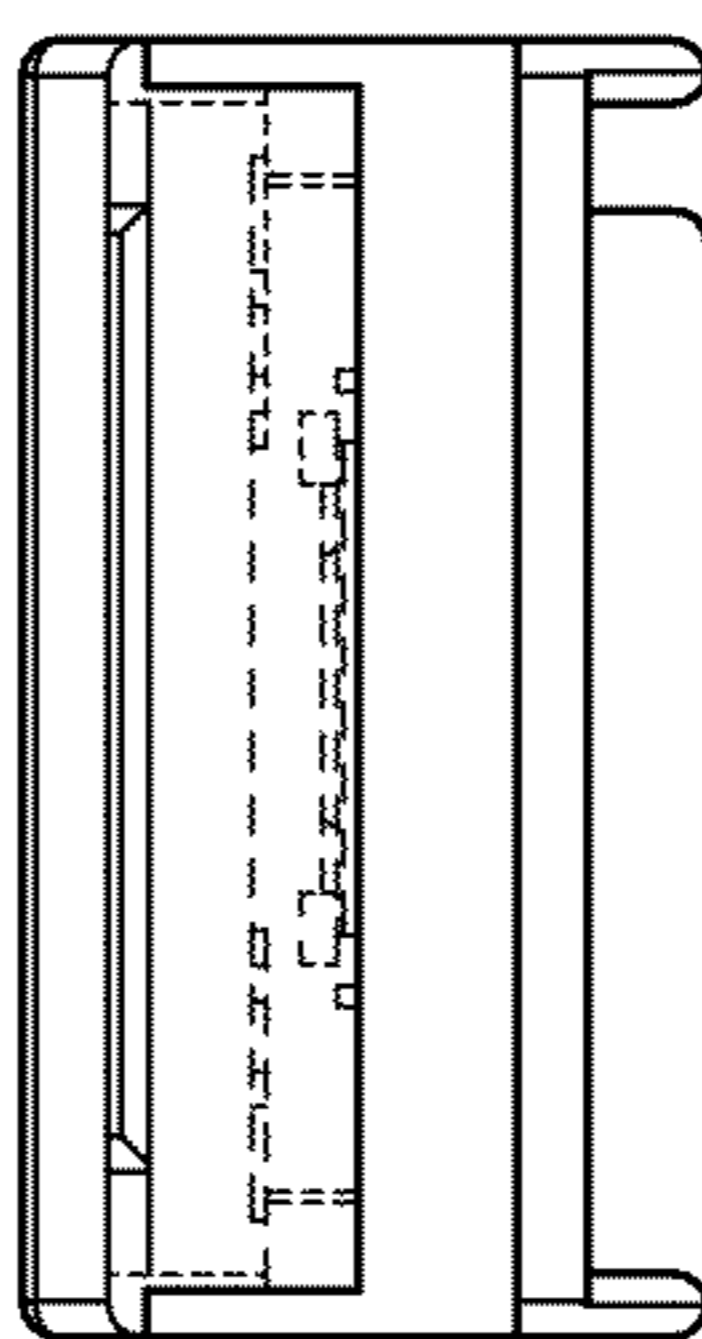


FIG.4

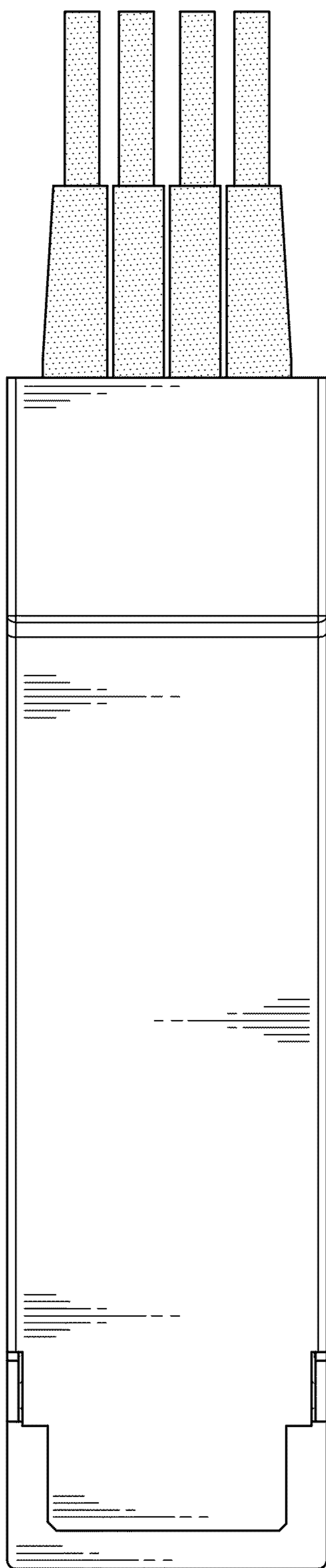


FIG.6

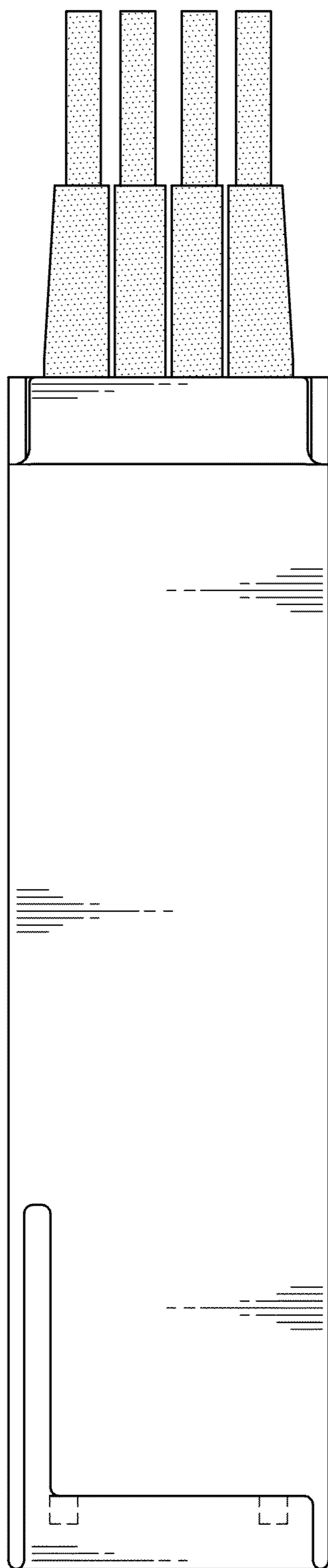


FIG.7

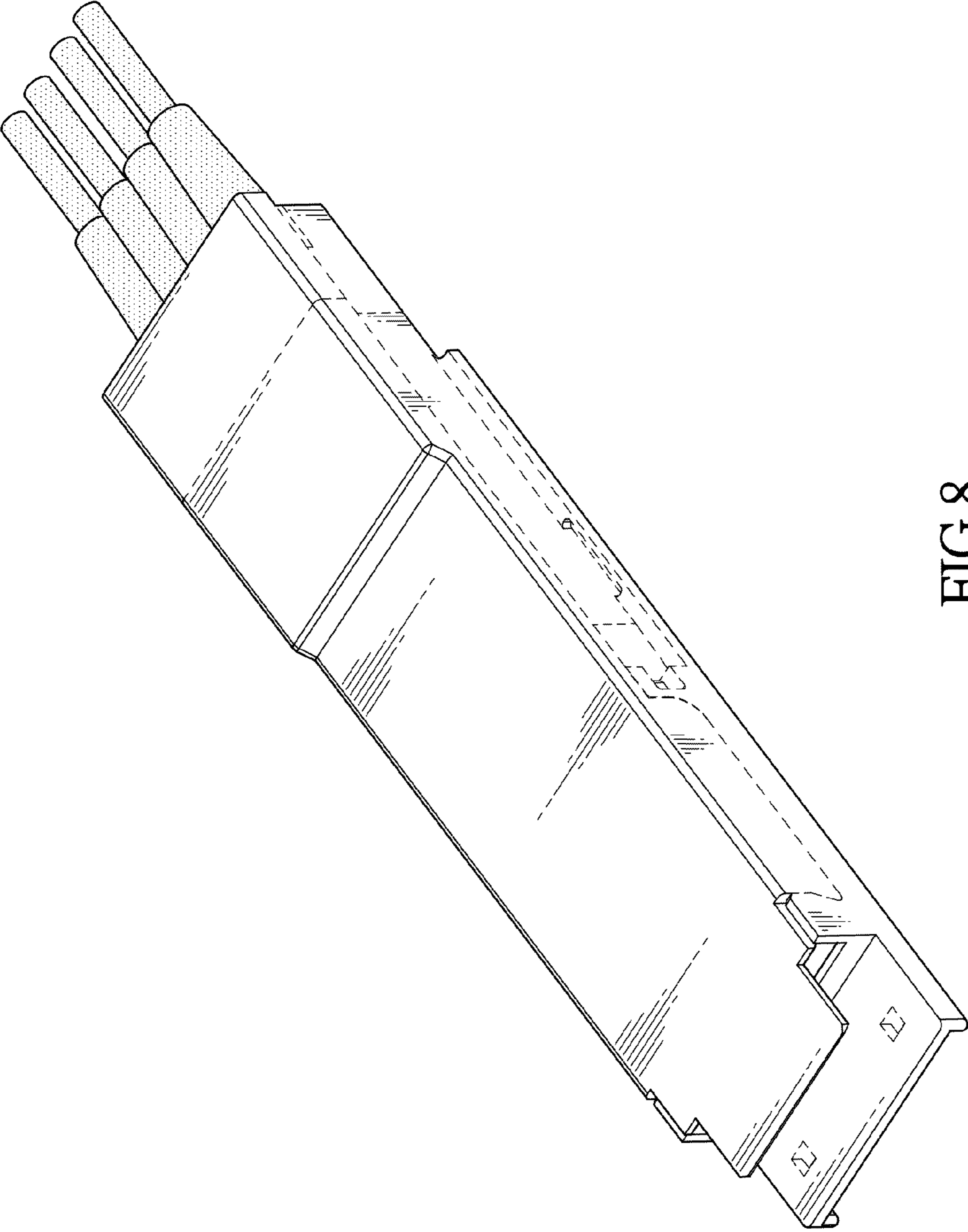


FIG.8

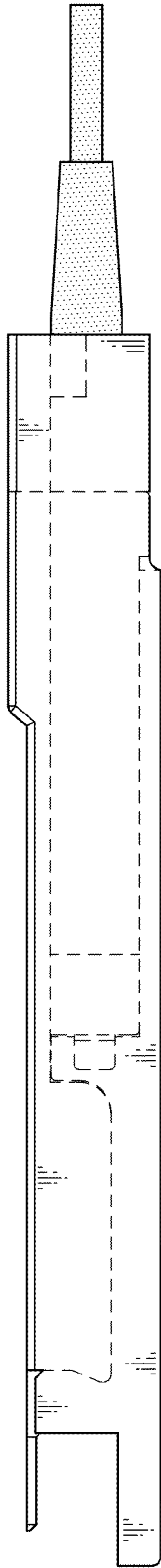


FIG. 9

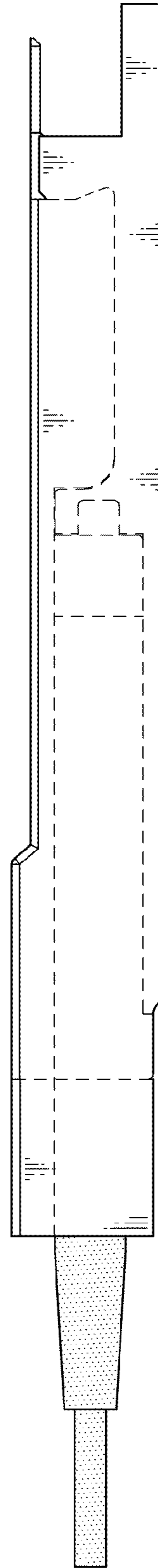


FIG. 10

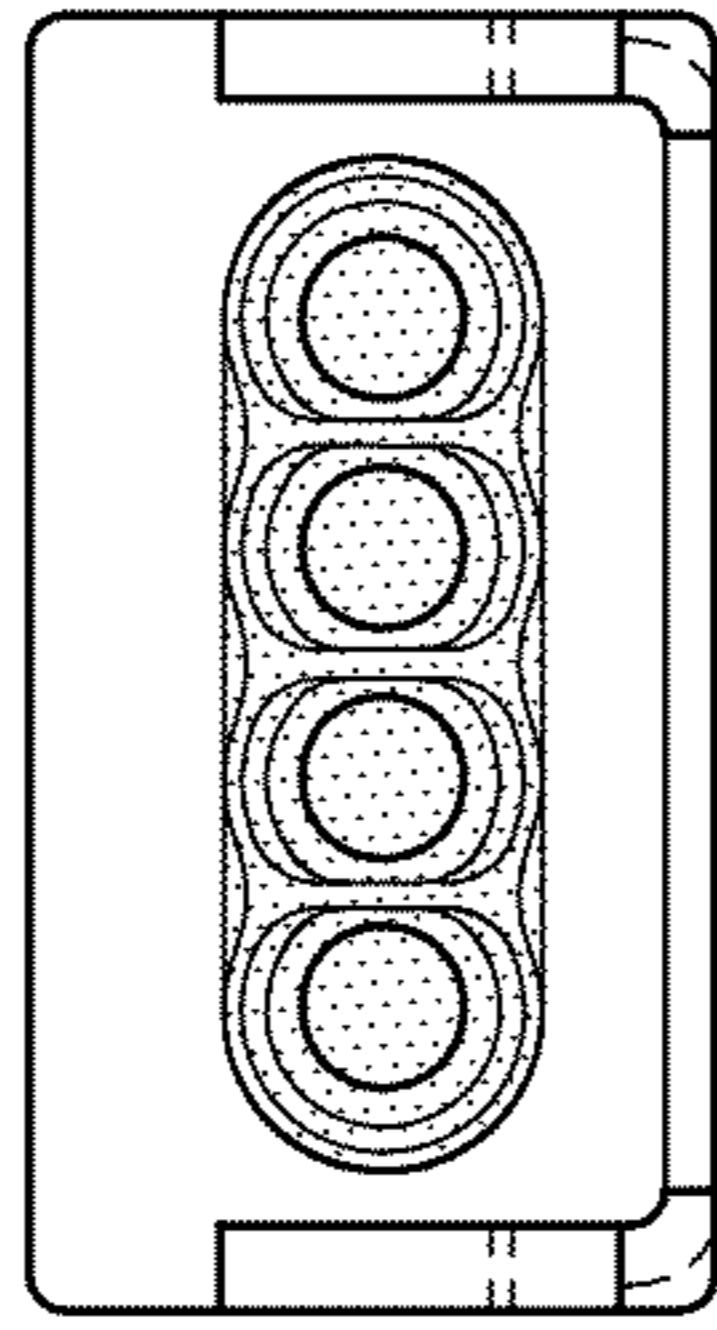


FIG.12

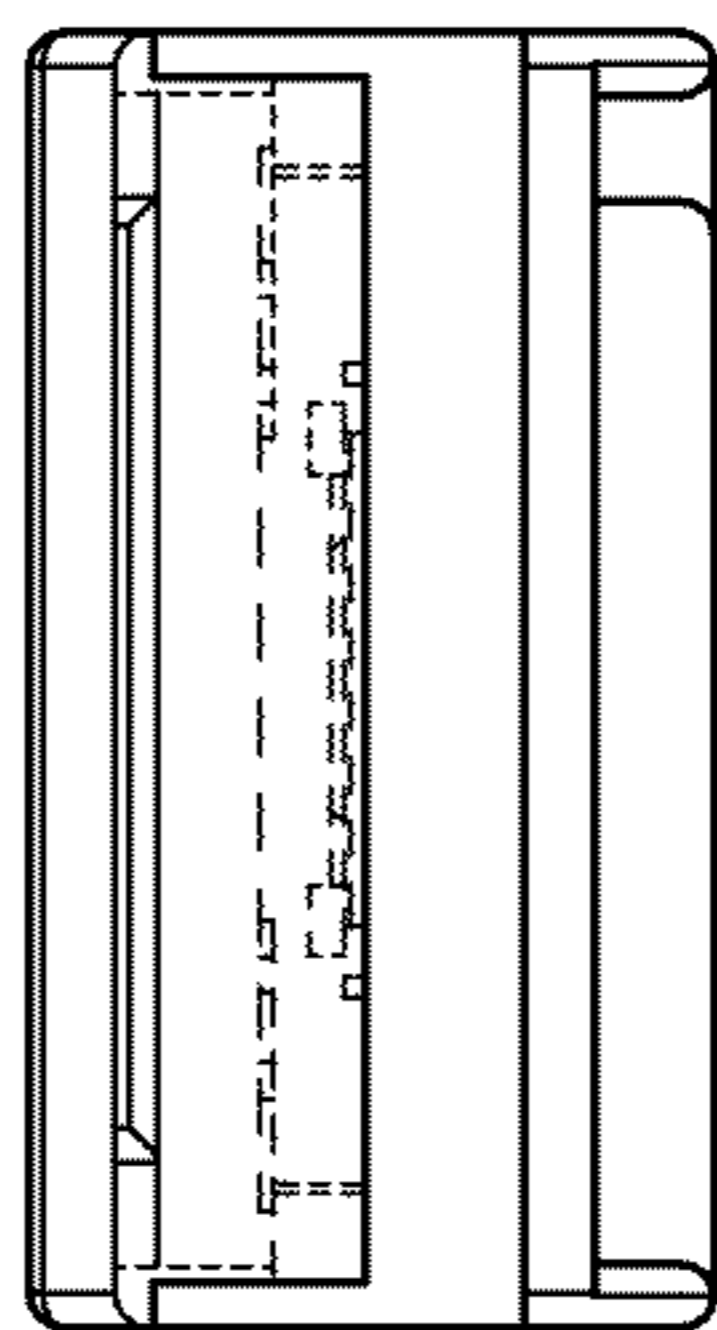


FIG.11

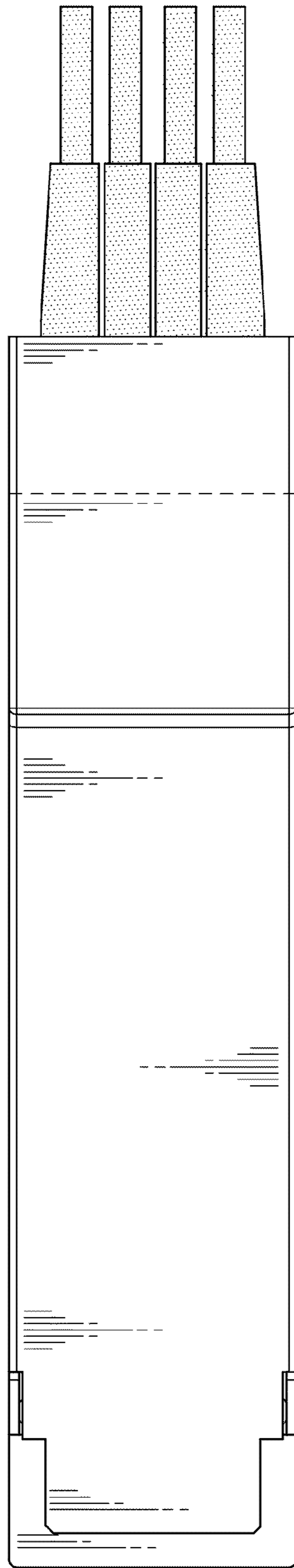


FIG.13



FIG.14