



US00D735138S

(12) **United States Design Patent**
Miniger et al.

(10) **Patent No.:** **US D735,138 S**

(45) **Date of Patent:** **** Jul. 28, 2015**

(54) **ELECTRICAL HOUSING WITH CLOCK AND OUTLETS**

(71) Applicant: **TXS INDUSTRIAL DESIGN, Inc.**,
Richardson, TX (US)

(72) Inventors: **Staci A. Miniger**, Garland, TX (US);
Timothy W. Terleski, Richardson, TX (US)

(73) Assignee: **TXS Industrial Design, Inc.**,
Richardson, TX (US)

(**) Term: **14 Years**

(21) Appl. No.: **29/481,218**

(22) Filed: **Feb. 3, 2014**

(51) **LOC (10) Cl.** **13-03**

(52) **U.S. Cl.**
USPC **D13/139.7**

(58) **Field of Classification Search**
USPC D13/139.7, 137.1-137.4, 139.1-139.8,
D13/199, 152, 156; 174/54, 55, 56, 58;
439/535, 137, 620.22; 361/56
See application file for complete search history.

(56) **References Cited**

U.S. PATENT DOCUMENTS

4,240,688	A *	12/1980	Sotolongo	439/535
4,463,998	A *	8/1984	Reavis et al.	439/137
D306,012	S *	2/1990	Oesterheld et al.	D13/139.8
D350,939	S *	9/1994	Rossman et al.	D13/139.8
D368,893	S *	4/1996	Harwood et al.	D13/139.8
D379,796	S *	6/1997	Bagga	D13/139.4
D382,855	S *	8/1997	Salmond et al.	D13/139.8

5,748,424	A *	5/1998	Hung	361/56
5,984,728	A *	11/1999	Chen et al.	439/620.22
D528,508	S *	9/2006	Tan et al.	D13/139.8
D591,233	S *	4/2009	Kagami et al.	D13/108
D626,071	S *	10/2010	Su et al.	D13/139.8
D636,728	S *	4/2011	Terleski et al.	D13/139.4
D651,974	S *	1/2012	Benedetti	D13/137.2
2009/0294147	A1 *	12/2009	Stockton	174/56

* cited by examiner

Primary Examiner — Holly Baynham

Assistant Examiner — Rhea Shields

(74) *Attorney, Agent, or Firm* — Carter, Scholer, Arnett, Hamada & Mockler, PLLC

(57) **CLAIM**

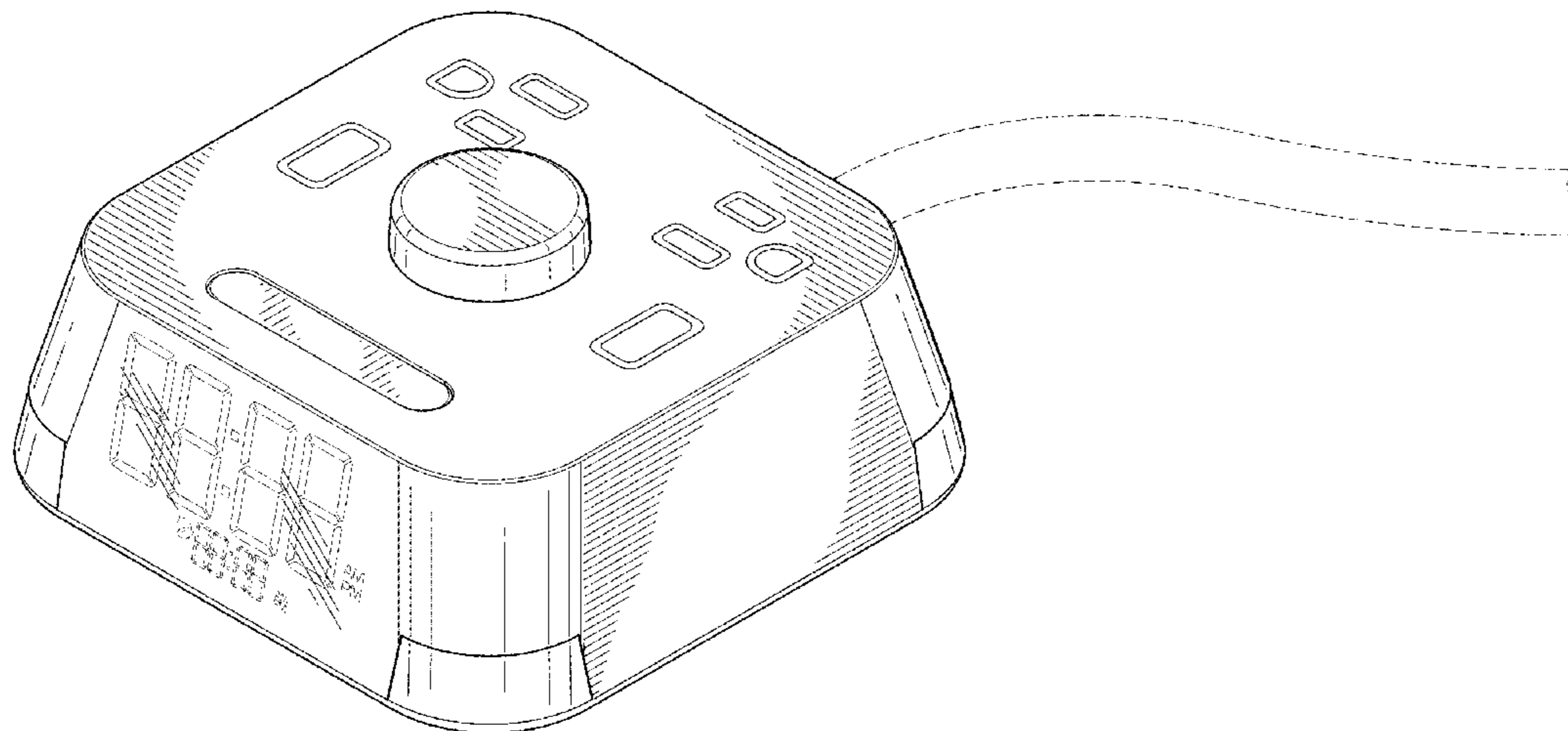
The ornamental design for an electrical housing with clock and outlets, as shown and described.

DESCRIPTION

FIG. 1 is a perspective view of an electrical housing with clock and outlets in accordance with the present disclosure. FIG. 2 is a front elevation view of the electrical housing with clock and outlets shown in FIG. 1; FIG. 3 is a rear elevation view of the electrical housing with clock and outlets shown in FIG. 1; FIG. 4 is a right side elevation view of the electrical housing with clock and outlets shown in FIG. 1; FIG. 5 is a left side elevation view of the electrical housing with clock and outlets shown in FIG. 1; FIG. 6 is a top plan view of the electrical housing with clock and outlets shown in FIG. 1; and, FIG. 7 is a bottom view of the electrical housing with clock and outlets shown in FIG. 1.

In the drawings, the broken lines depict unclaimed subject matter only and form no part of the claimed design.

1 Claim, 5 Drawing Sheets



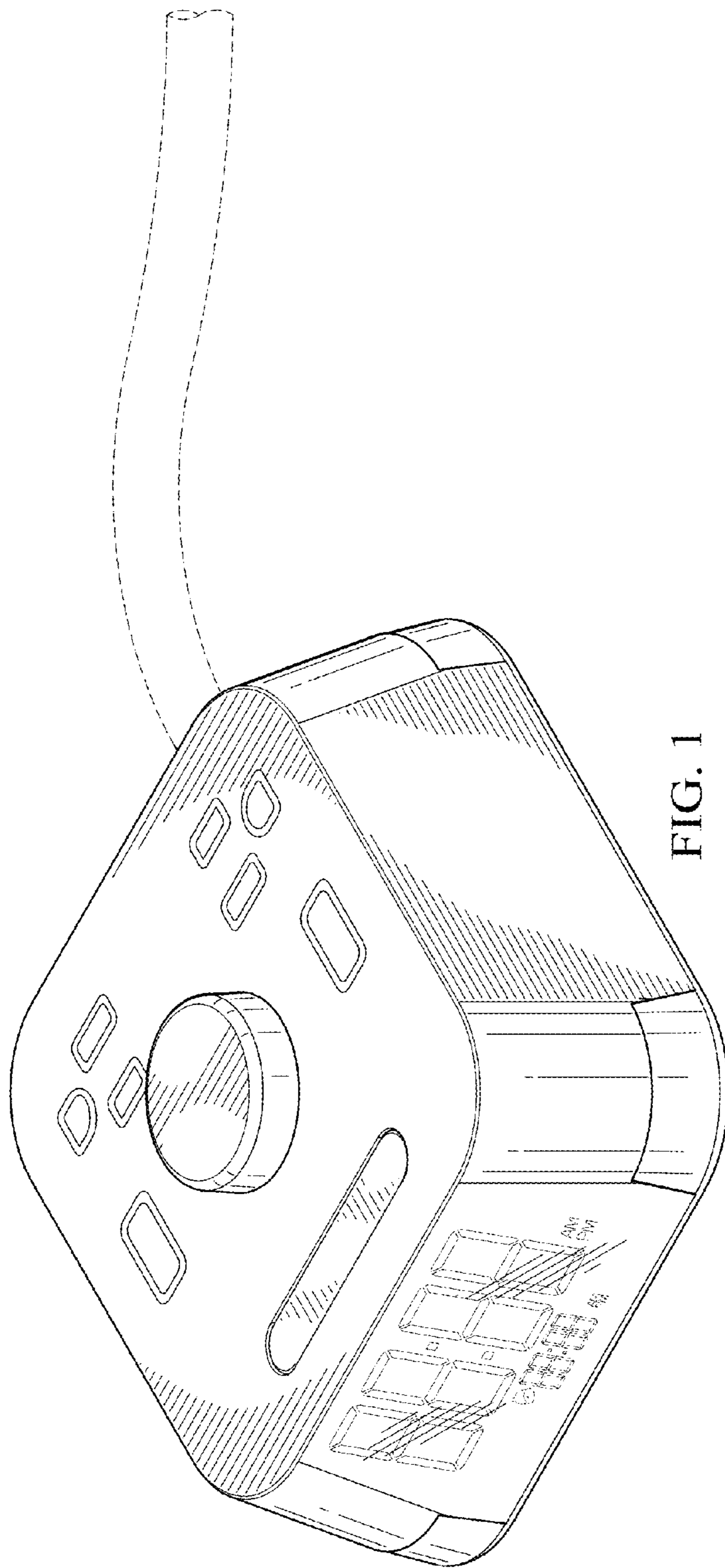


FIG. 1

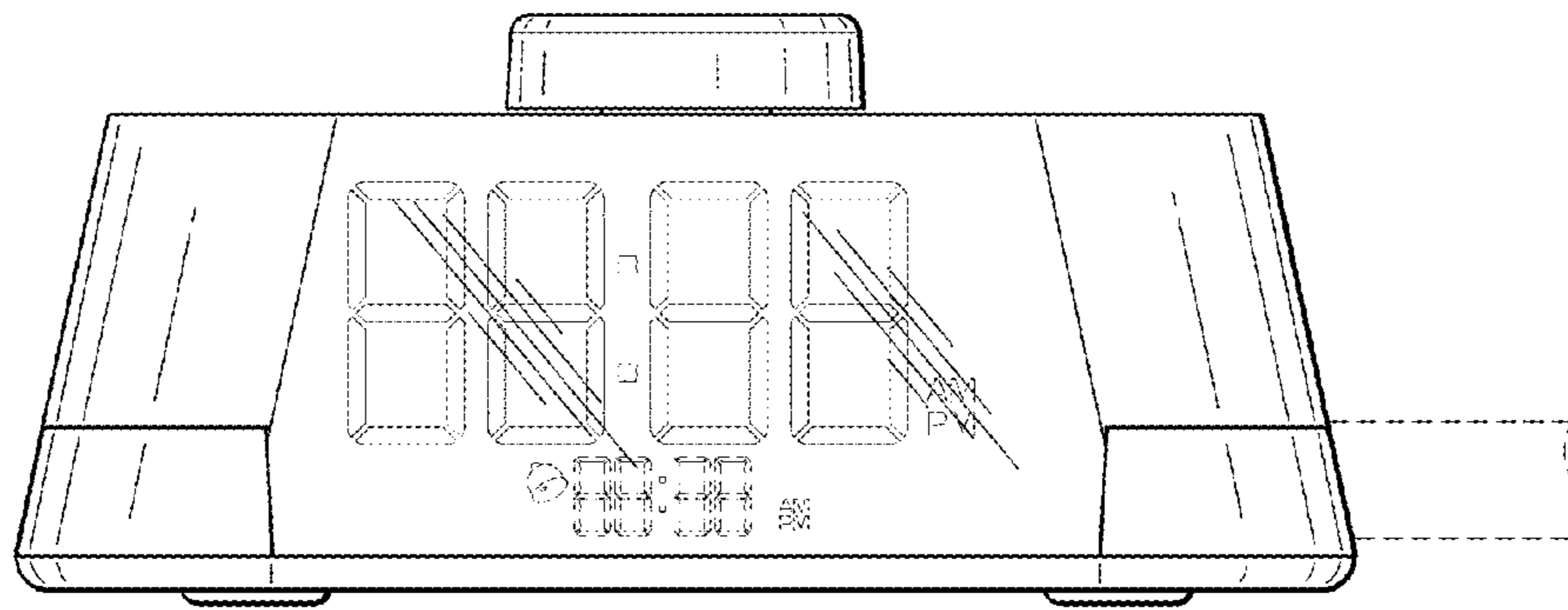


FIG. 2

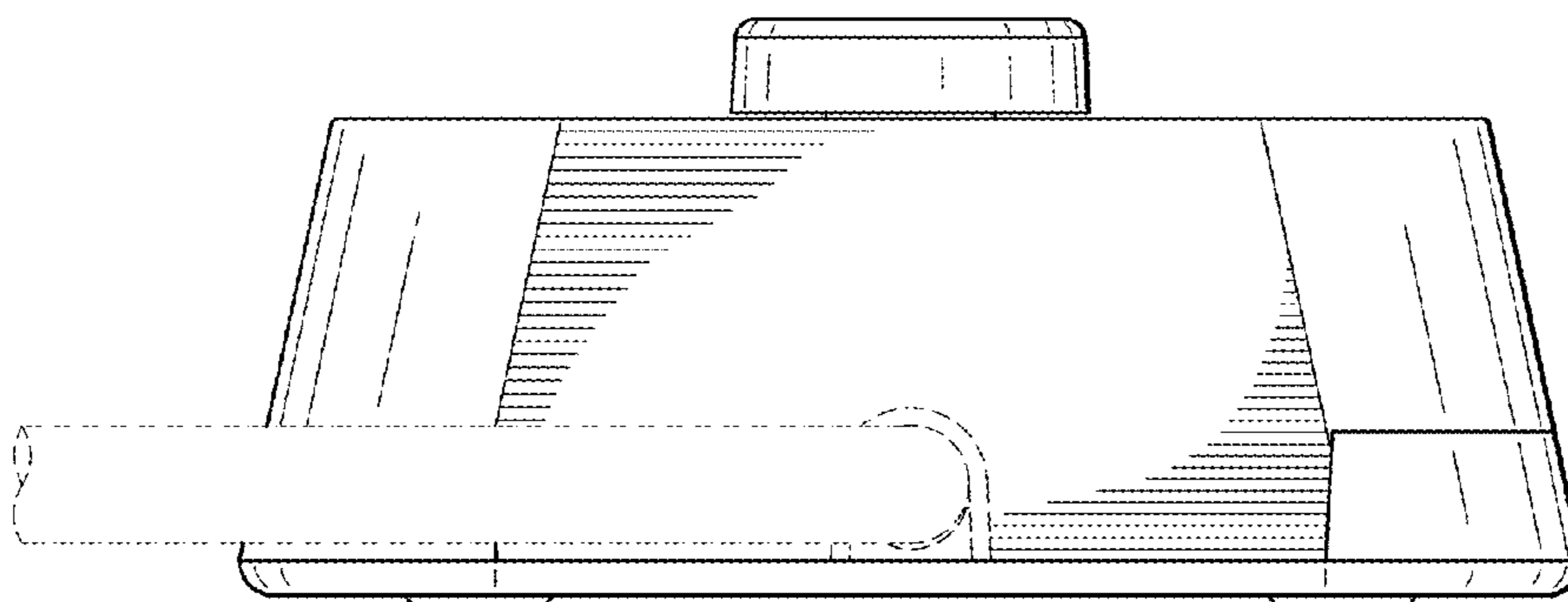


FIG. 3

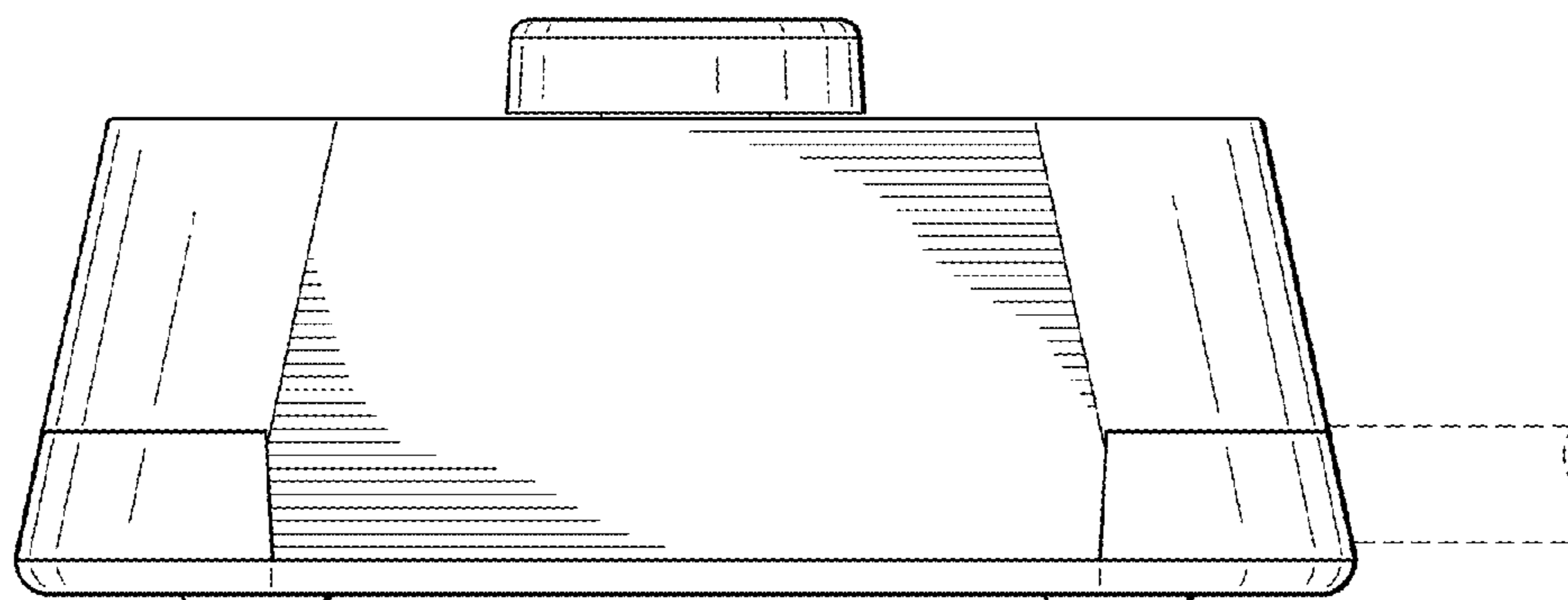


FIG. 4

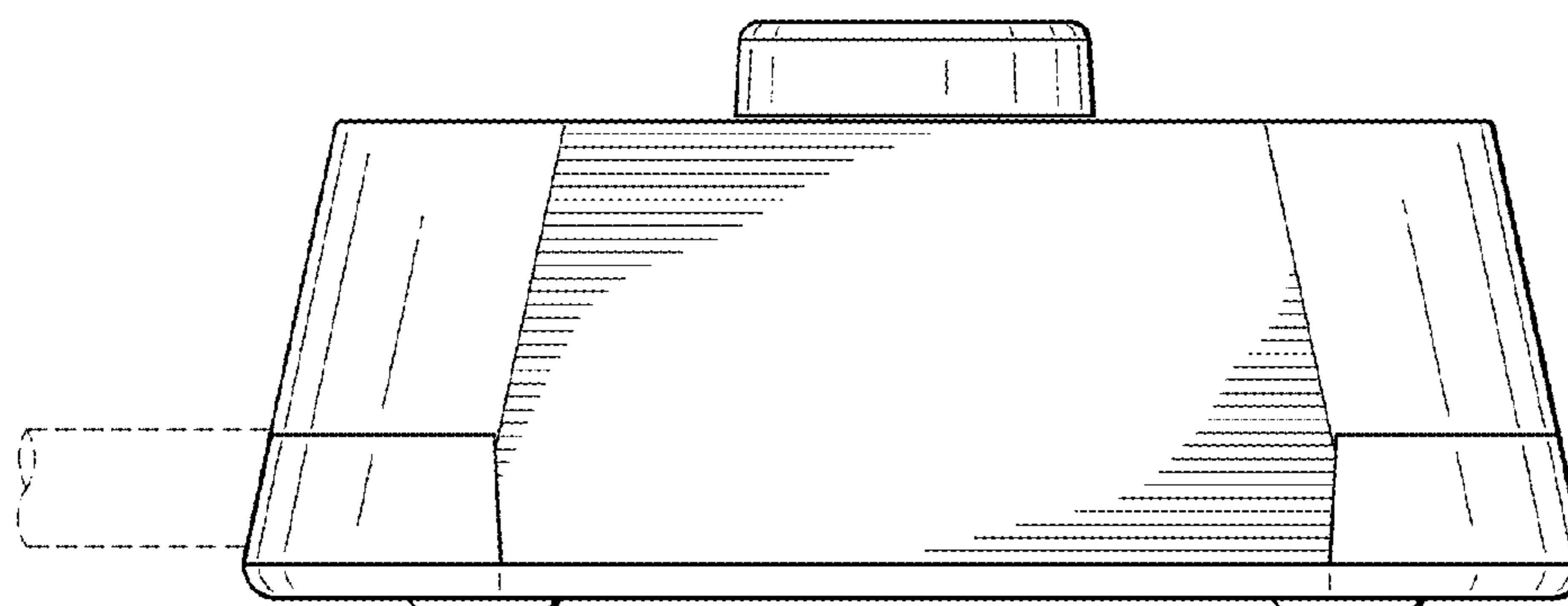


FIG. 5

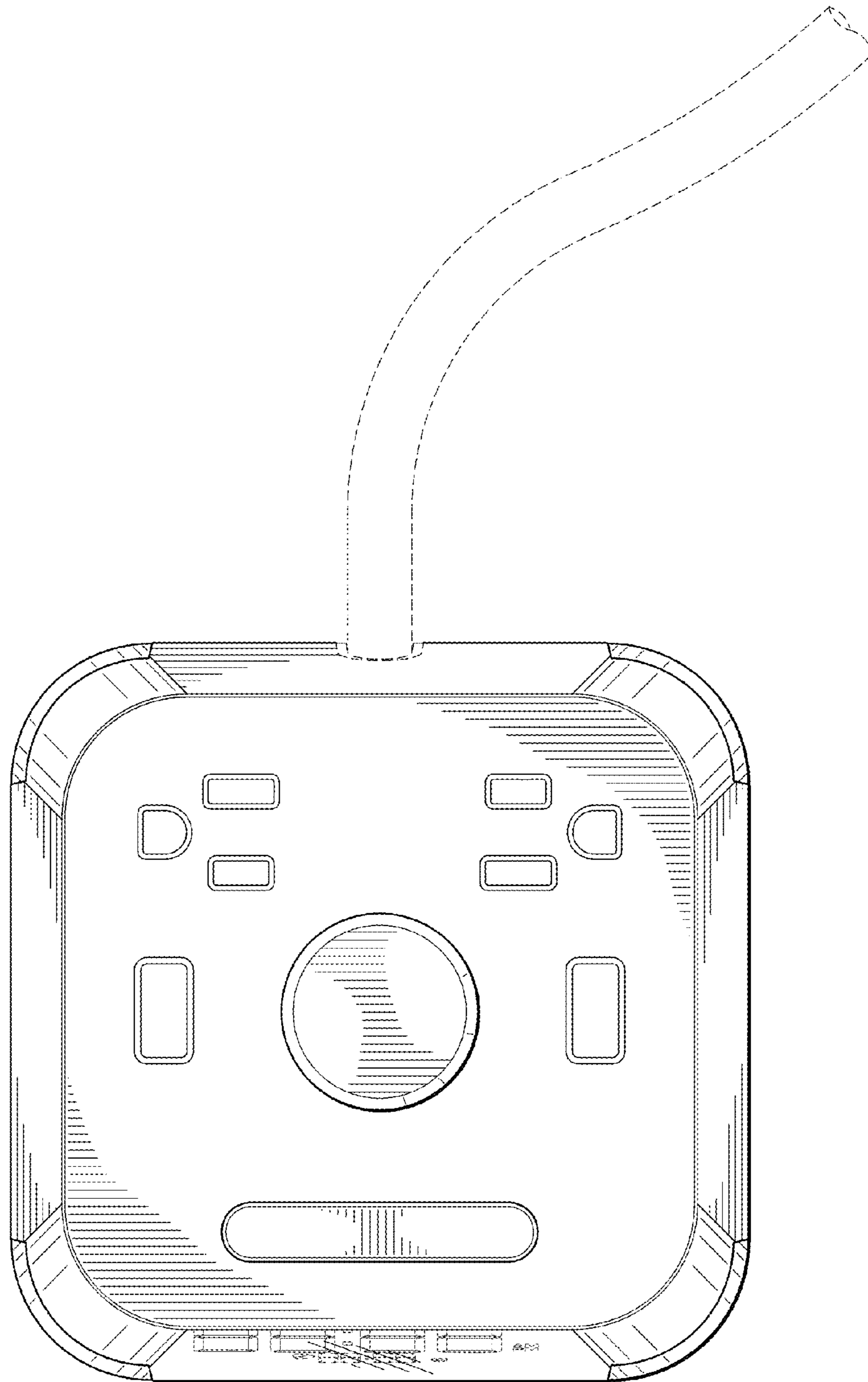


FIG. 6

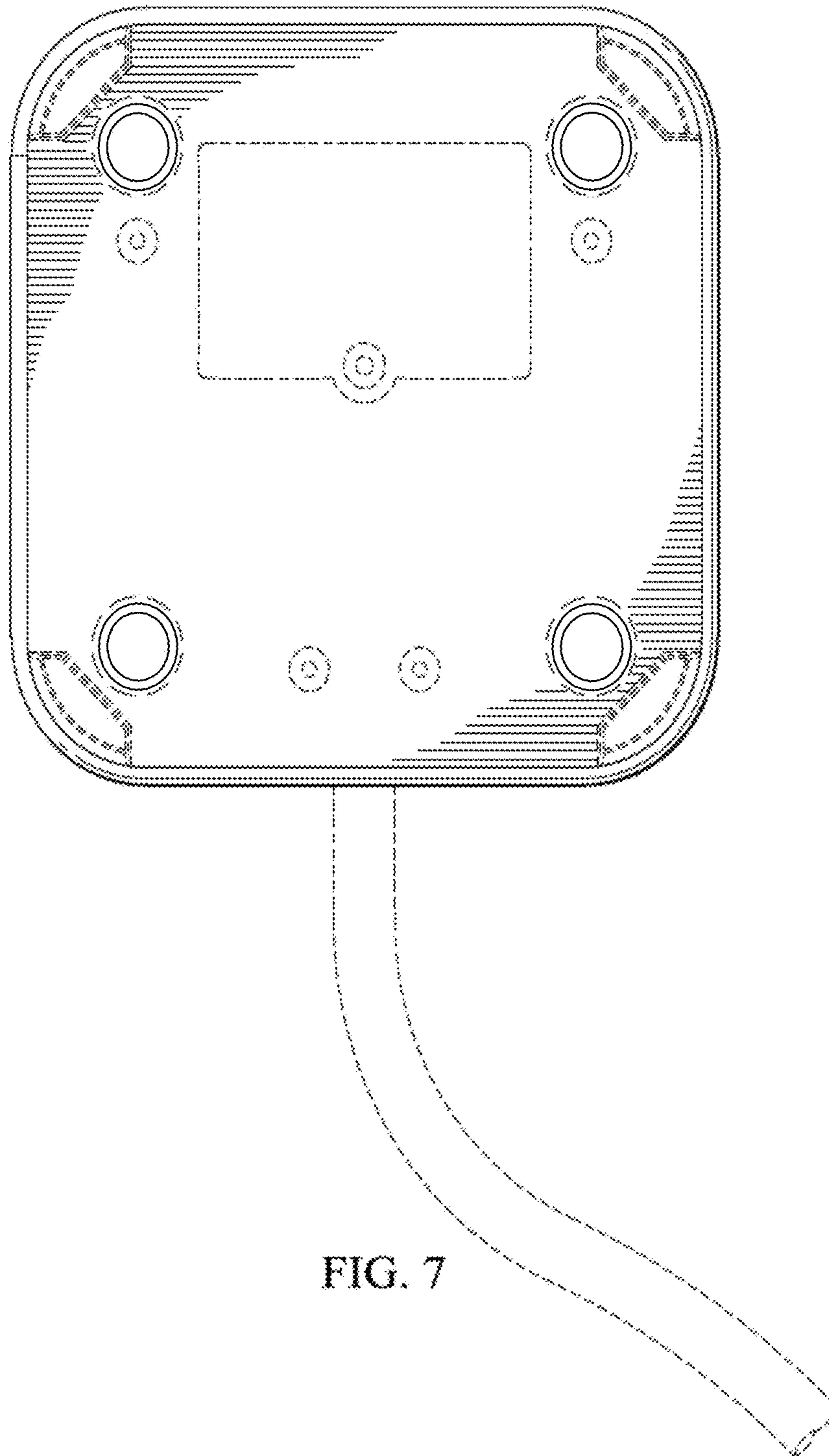


FIG. 7

UNITED STATES PATENT AND TRADEMARK OFFICE
CERTIFICATE OF CORRECTION

PATENT NO. : D735,138 S
APPLICATION NO. : 29/481218
DATED : July 28, 2015
INVENTOR(S) : Staci A. Mininger et al.

Page 1 of 1

It is certified that error appears in the above-identified patent and that said Letters Patent is hereby corrected as shown below:

Title Page

Item (12) should read: Mininger et al.

Item (72) Inventors should read: Staci A. Mininger, Garland, TX (US);

Signed and Sealed this
Third Day of May, 2016



Michelle K. Lee
Director of the United States Patent and Trademark Office