



US00D735136S

(12) **United States Design Patent**  
**Aromin**

(10) **Patent No.:** **US D735,136 S**  
(45) **Date of Patent:** **\*\* Jul. 28, 2015**

- (54) **POWER CORD APPARATUS**
- (71) Applicant: **Victor V Aromin**, West Warwick, RI (US)
- (72) Inventor: **Victor V Aromin**, West Warwick, RI (US)
- (73) Assignee: **Tower Manufacturing Corporation**, Providence, RI (US)
- (\*\*) Term: **14 Years**
- (21) Appl. No.: **29/473,918**
- (22) Filed: **Nov. 26, 2013**

D400,172	S	*	10/1998	Aromin	.....	D13/138.1
5,913,574	A	*	6/1999	D'Amario et al.	.....	30/90.1
D414,747	S	*	10/1999	Aromin	.....	D13/160
D451,481	S	*	12/2001	MacKay	.....	D13/160
D473,188	S	*	4/2003	Cheah et al.	.....	D13/138.2
D511,468	S	*	11/2005	Aromin	.....	D13/138.1
D511,469	S	*	11/2005	Aromin	.....	D13/138.1
D562,766	S	*	2/2008	Yang	.....	D13/110
D579,881	S	*	11/2008	Aromin	.....	D13/160
D584,690	S	*	1/2009	Hsiung	.....	D13/138.1
D594,417	S	*	6/2009	Ho'o et al.	.....	D13/138.1
D635,937	S	*	4/2011	Aromin et al.	.....	D13/160
D652,801	S	*	1/2012	Zou	.....	D13/139.8
D653,214	S	*	1/2012	Zou	.....	D13/138.2
D708,575	S	*	7/2014	Aromin	.....	D13/110
D708,576	S	*	7/2014	Aromin	.....	D13/110
2008/0094764	A1	*	4/2008	Zhang et al.	.....	361/42

\* cited by examiner

**Related U.S. Application Data**

- (63) Continuation-in-part of application No. 29/467,081, filed on Sep. 15, 2013, now abandoned.
- (51) **LOC (10) Cl.** ..... **13-03**
- (52) **U.S. Cl.**  
USPC ..... **D13/138.2**
- (58) **Field of Classification Search**  
USPC ..... D13/139.6, 130, 110, 139.8, 137.1, D13/137.2, 138.1, 138.2, 199, 160; 439/107, 650-653, 501; 363/15, 34, 363/146; 174/65 R, 77 R, 92, 42, 45, 50; 361/42; 30/90.1  
CPC ..... H02G 1/1224; H02H 1/0015  
See application file for complete search history.

(56) **References Cited**

**U.S. PATENT DOCUMENTS**

- D314,177 S \* 1/1991 Heiligenstein et al. ... D13/138.1
- D356,066 S \* 3/1995 Rao et al. .... D13/138.1

*Primary Examiner* — Holly Baynham  
*Assistant Examiner* — Rhea Shields

(57) **CLAIM**

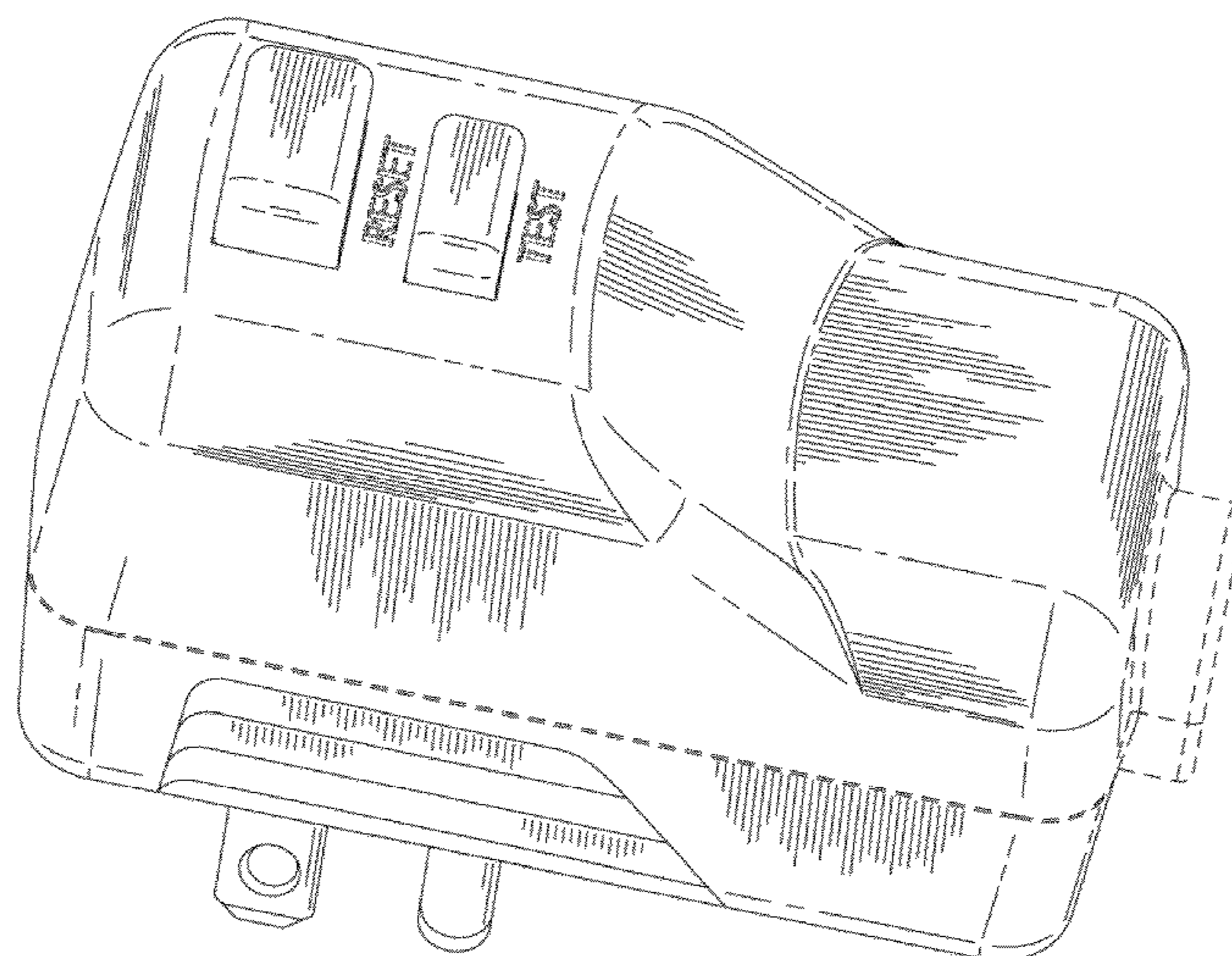
The ornamental design for power cord apparatus, substantially as shown and described.

**DESCRIPTION**

FIG. 1 is a top perspective view of the power cord apparatus employing my new design;  
 FIG. 2 is a bottom perspective view of FIG. 1;  
 FIG. 3 is a left side view of FIG. 1;  
 FIG. 4 is a rear end view of FIG. 1;  
 FIG. 5 is a right side view of FIG. 1;  
 FIG. 6 is a bottom plan view of FIG. 1;  
 FIG. 7 is a front view of FIG. 1; and,  
 FIG. 8 is a top plan view of FIG. 1.

In the drawings, the broken lines depict unclaimed subject matter only and form no part of the claimed design.

**1 Claim, 8 Drawing Sheets**



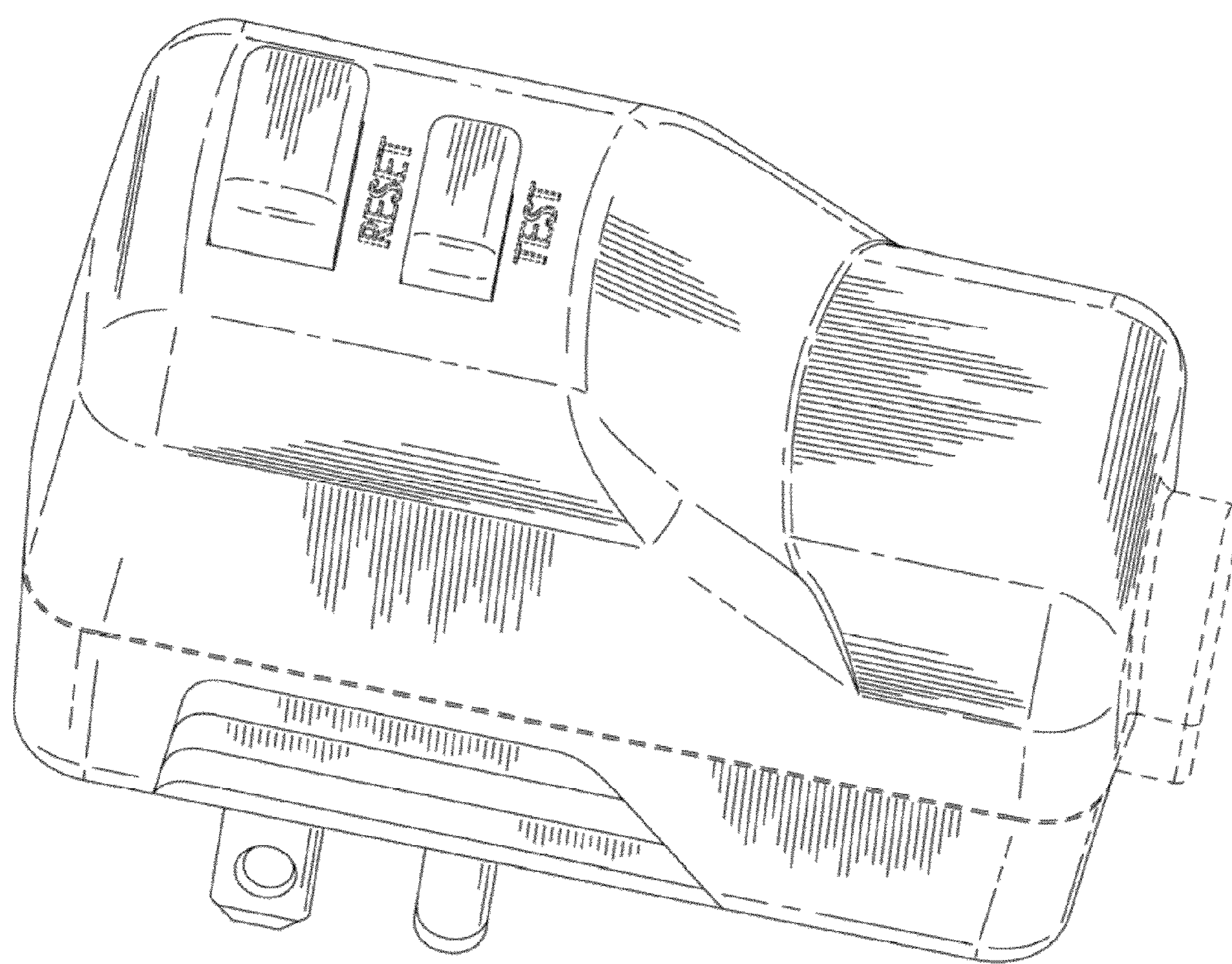


FIG. 1

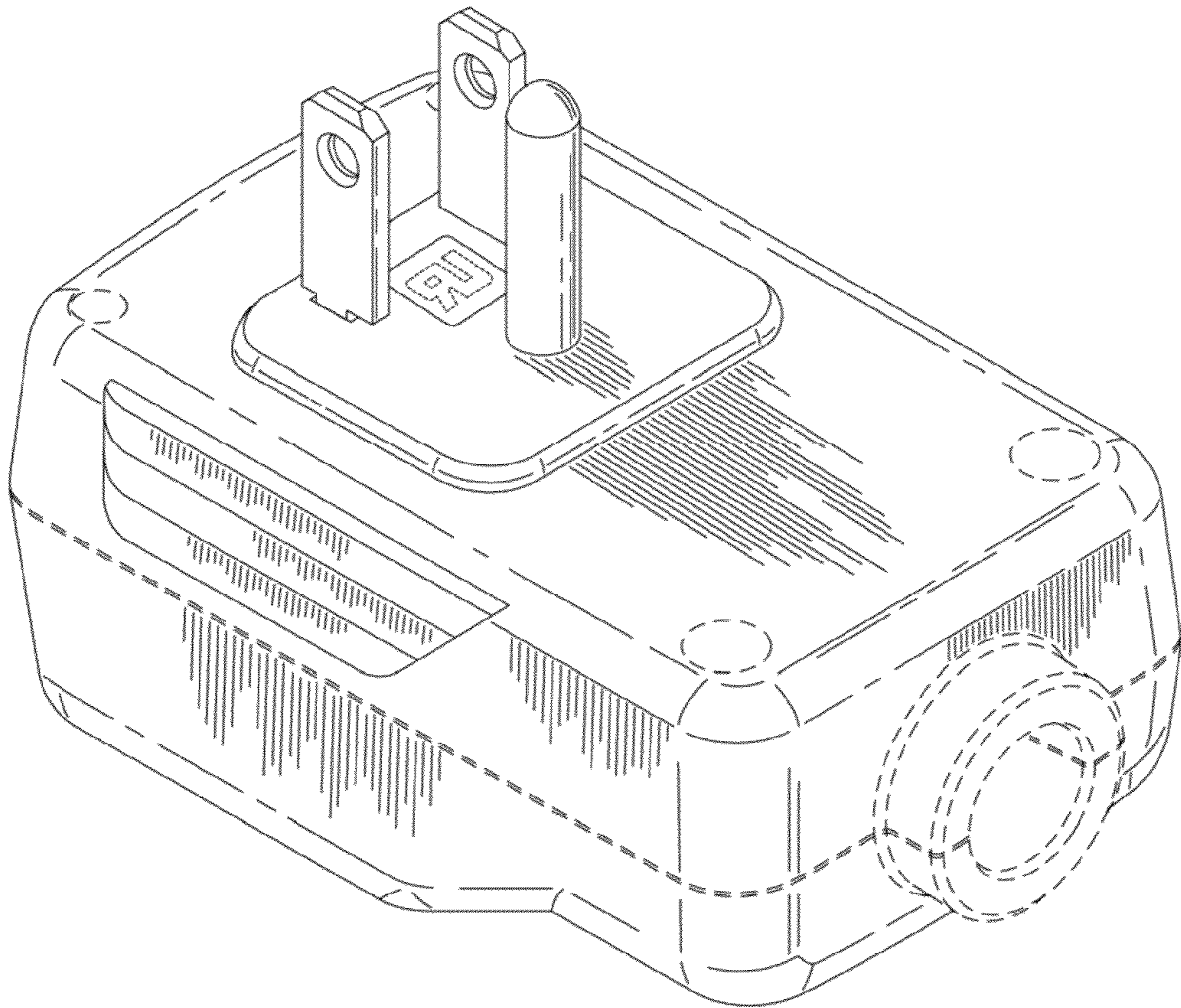


FIG. 2

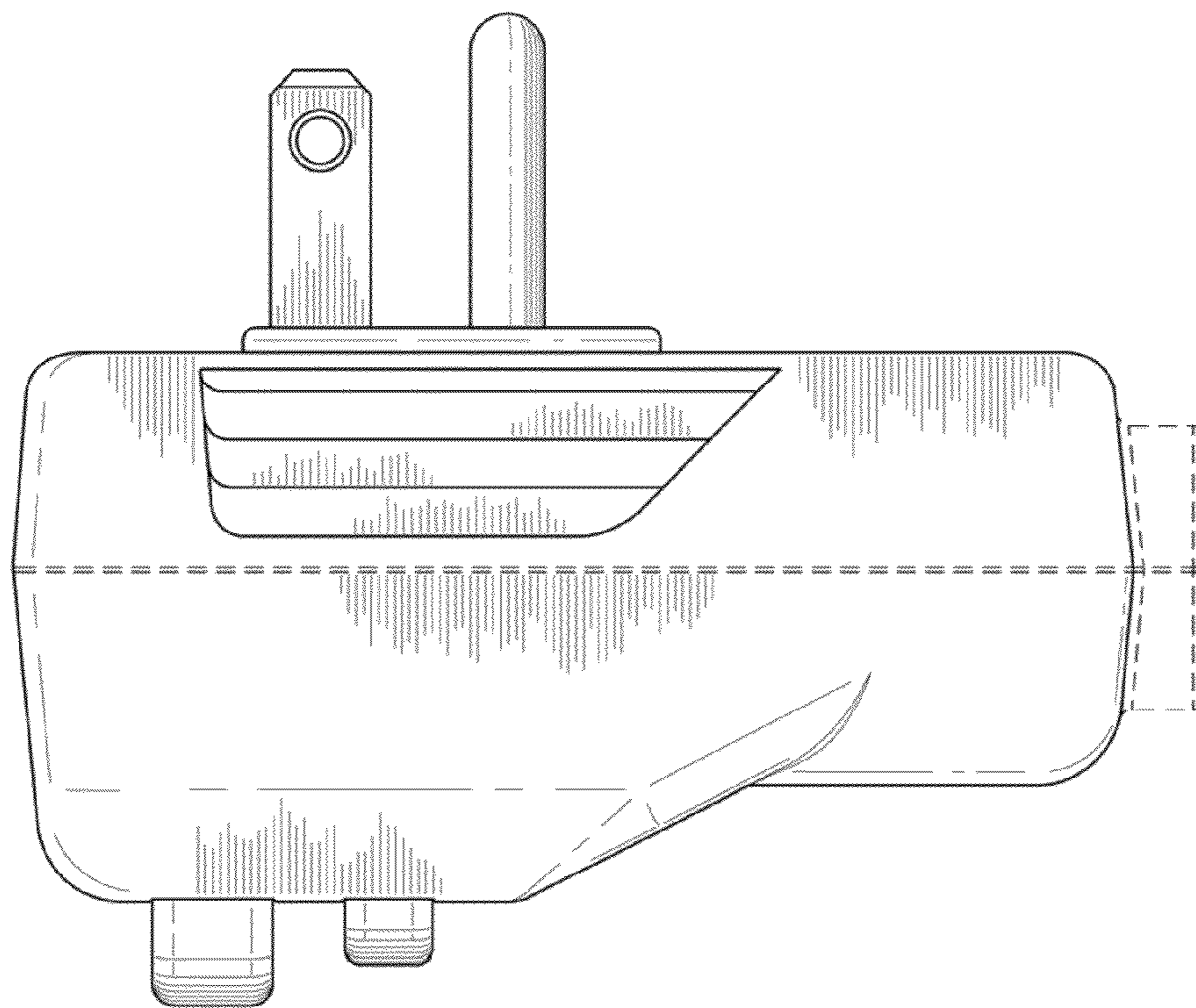


FIG. 3

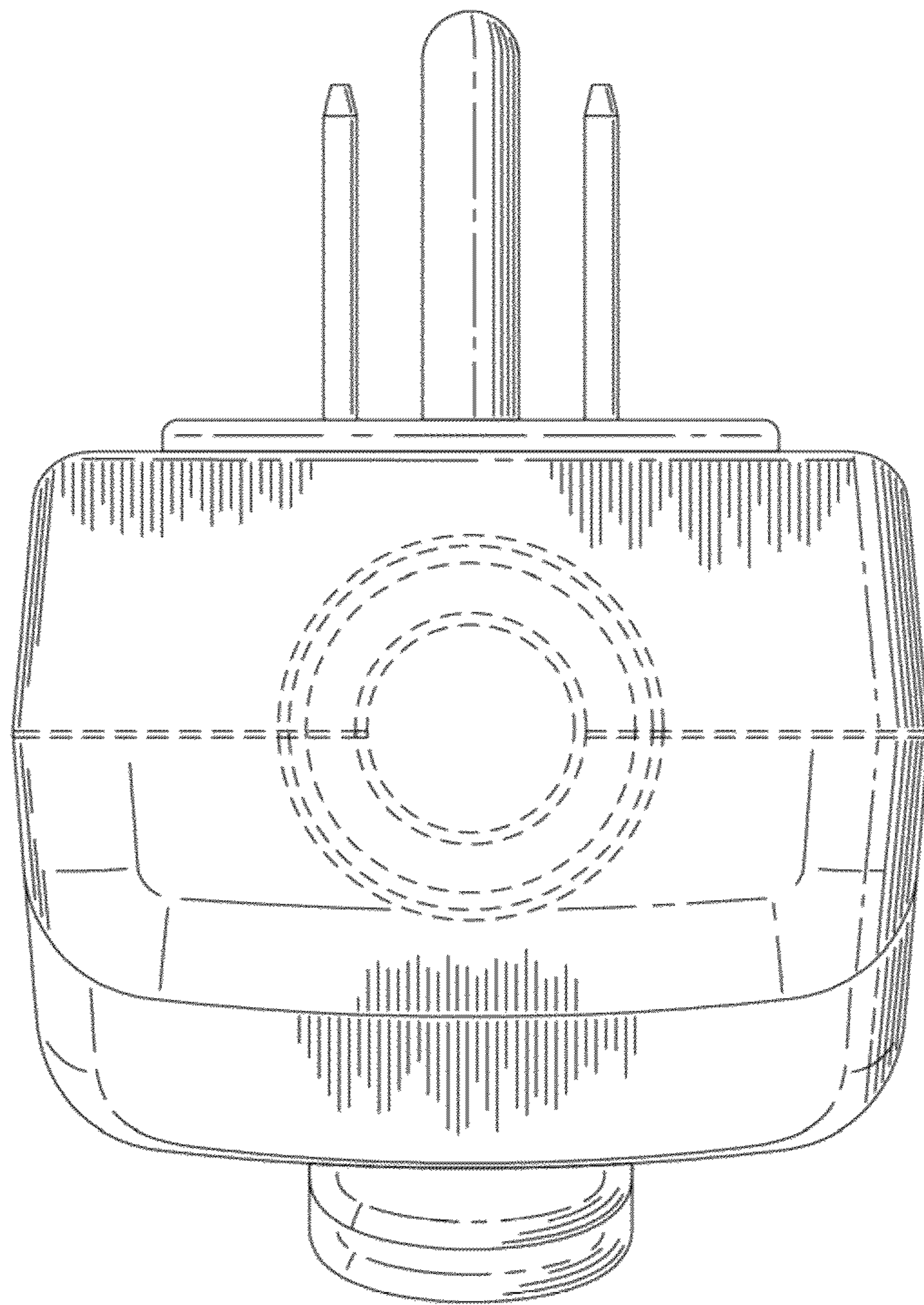


FIG. 4

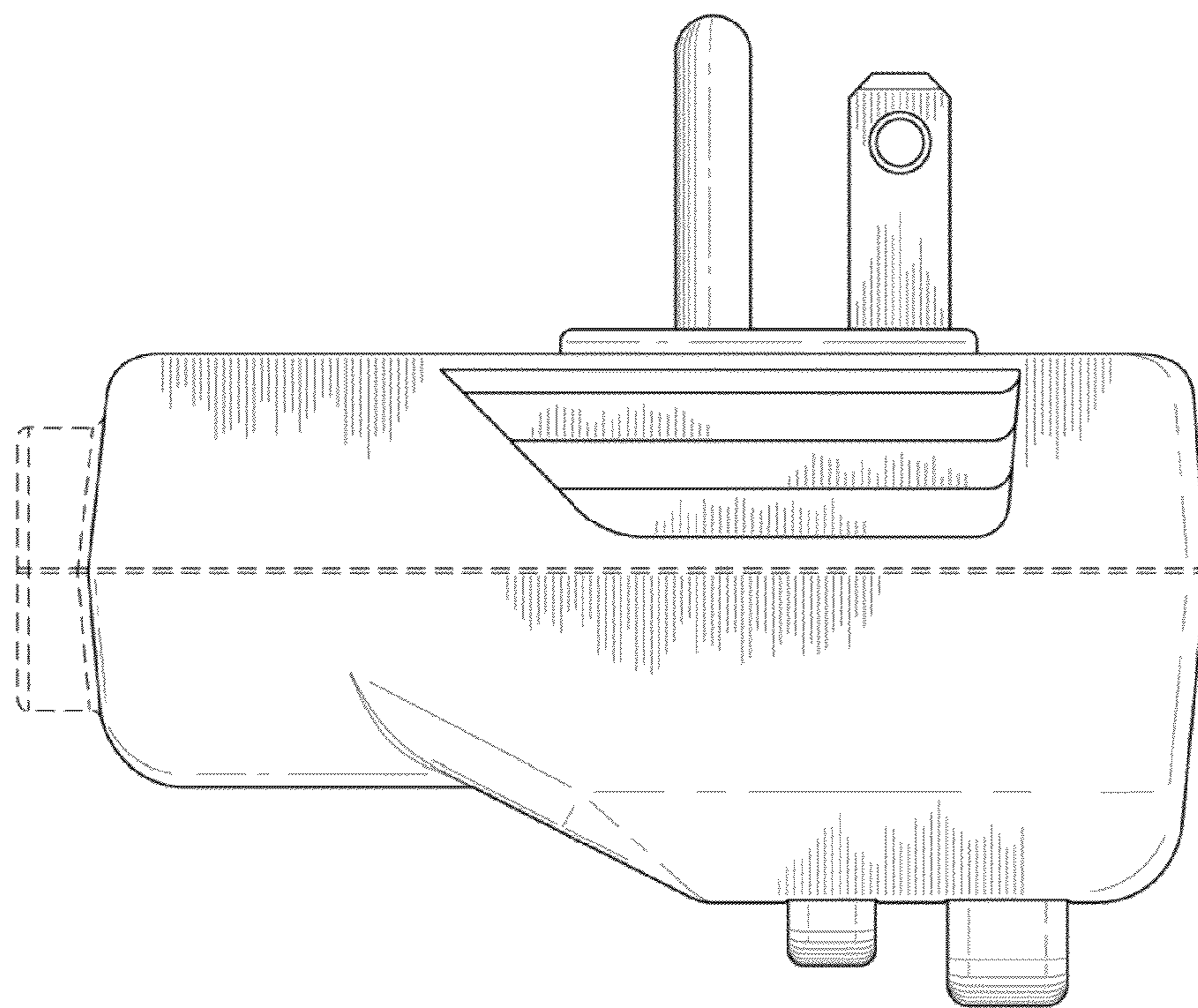


FIG. 5

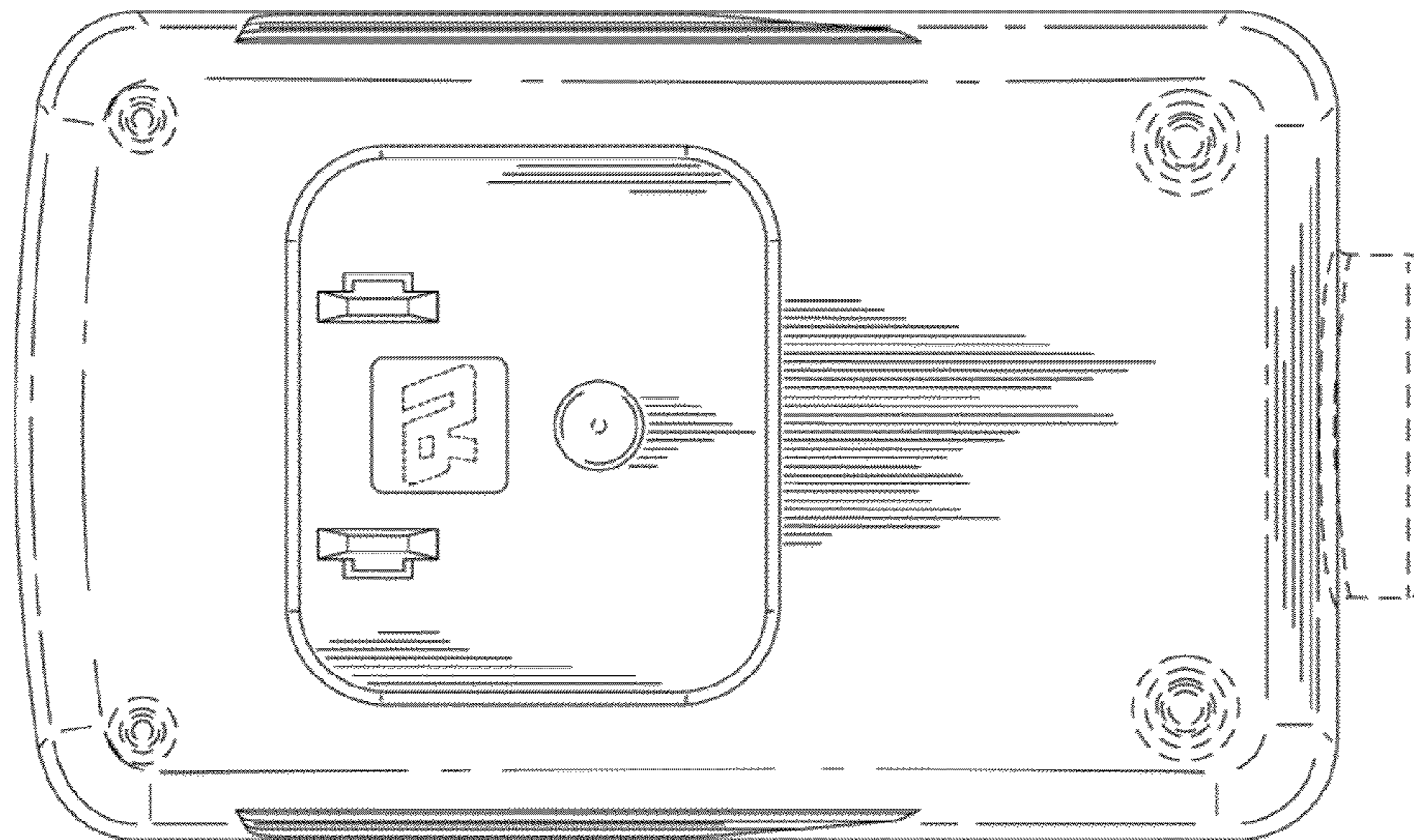


FIG. 6

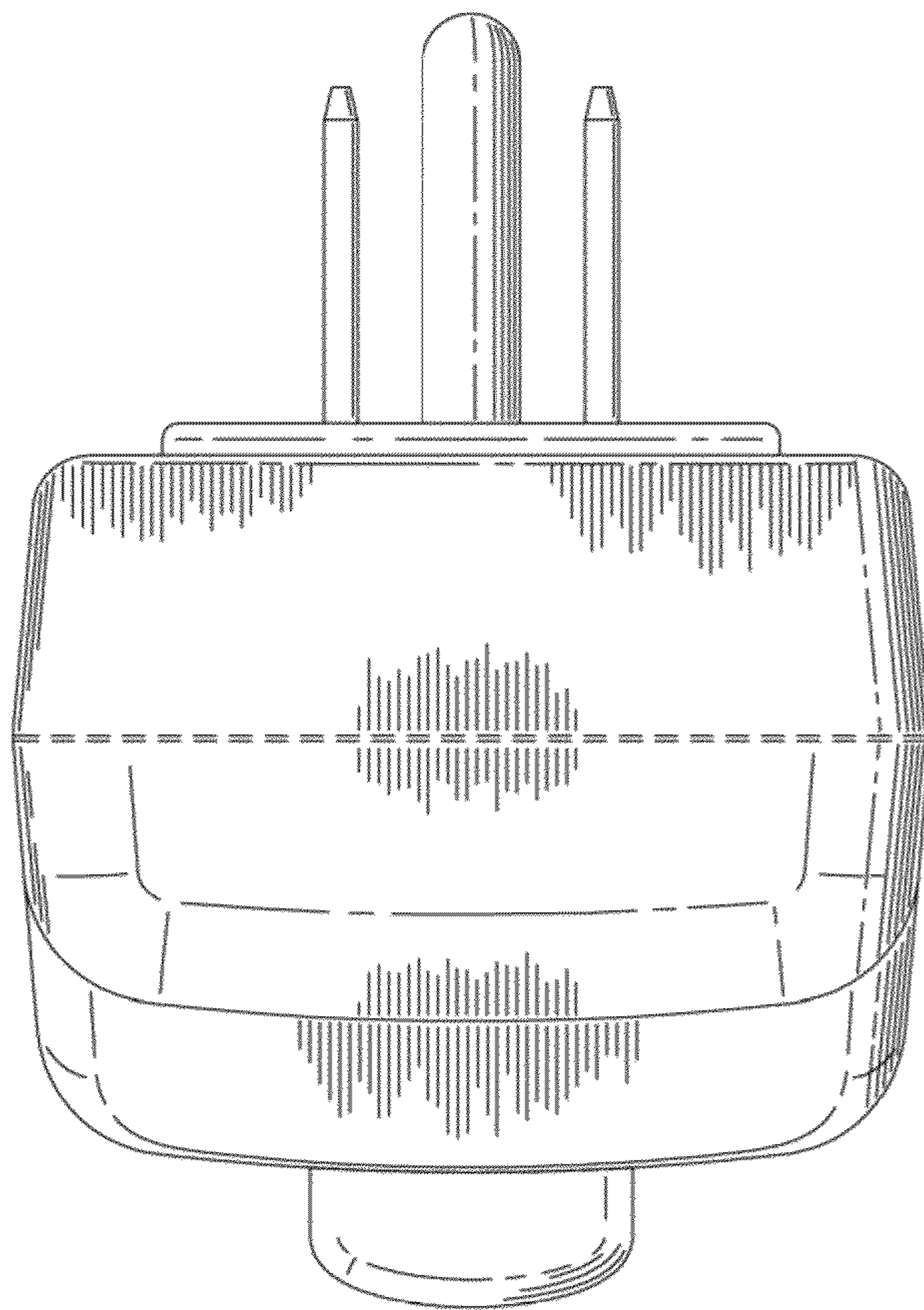


FIG. 7



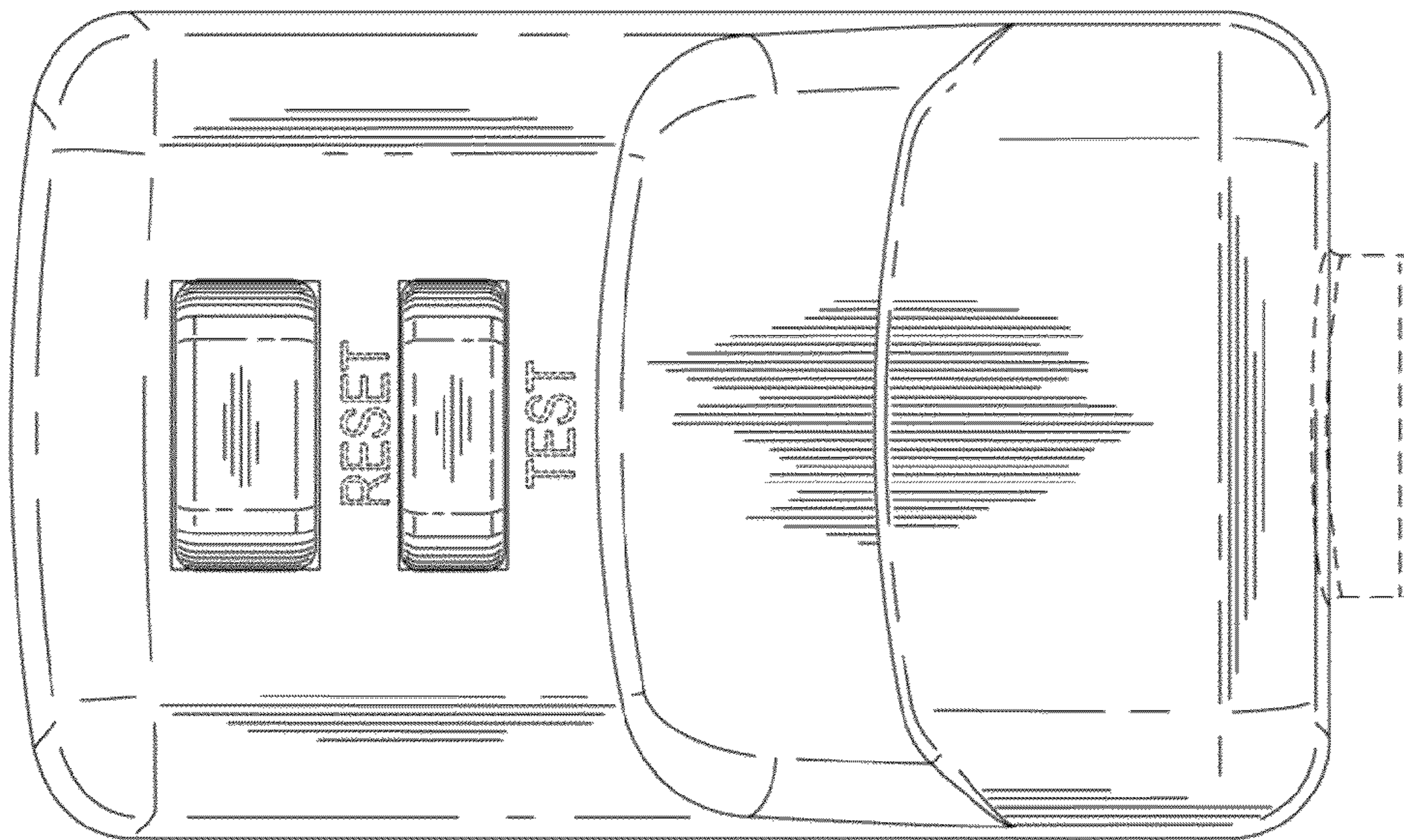


FIG. 8