



US00D735135S

(12) **United States Design Patent**
Todd et al.

(10) **Patent No.:** **US D735,135 S**
(45) **Date of Patent:** **** Jul. 28, 2015**

(54) **ELECTRIC POWER GENERATION
ARRANGEMENT**

(71) Applicant: **Caterpillar (NI) Limited**, Larne (GB)

(72) Inventors: **James Todd**, Larne (GB); **Mark
McAllister**, Larne (GB)

(73) Assignee: **Caterpillar (NI) Limited**, Larne (GB)

(**) Term: **14 Years**

(21) Appl. No.: **29/462,398**

(22) Filed: **Aug. 2, 2013**

(30) **Foreign Application Priority Data**

Feb. 3, 2013 (EM) 0021775500001
Feb. 3, 2013 (EM) 0021775500002
Feb. 3, 2013 (EM) 0021775500003

(51) **LOC (10) Cl.** **13-01**

(52) **U.S. Cl.**
USPC **D13/112**

(58) **Field of Classification Search**
USPC 180/89.1; 290/1 A, 20; D13/110, 112,
D13/114, 122, 184; D15/1, 10, 17, 5, 28,
D15/199; D25/199; 310/10, 40 R, 51, 58,
310/85, 89, 91, 236, 239, 254.1
CPC F02B 63/04
See application file for complete search history.

(56) **References Cited**

U.S. PATENT DOCUMENTS

4,007,388 A * 2/1977 Lawyer et al. 310/51
4,012,021 A * 3/1977 Duceppe 248/651
D259,039 S * 4/1981 Weldon et al. D13/114
D295,621 S * 5/1988 Lent et al. D13/114
D336,890 S * 6/1993 Hirose et al. D13/112
D425,020 S * 5/2000 Becker et al. D13/114
6,103,995 A * 8/2000 Bankstahl 219/133
6,279,309 B1 * 8/2001 Lawlor et al. 60/772
6,608,393 B2 * 8/2003 Anderson 290/1 A
6,628,027 B2 * 9/2003 Fuller 310/91

D532,749 S * 11/2006 Shing D13/122
D563,871 S * 3/2008 Becker et al. D13/114
7,976,266 B2 * 7/2011 Brown et al. 415/1
2003/0014961 A1 * 1/2003 Lawlor et al. 60/39.35
2014/0034379 A1 * 2/2014 Stengl et al. 174/495

* cited by examiner

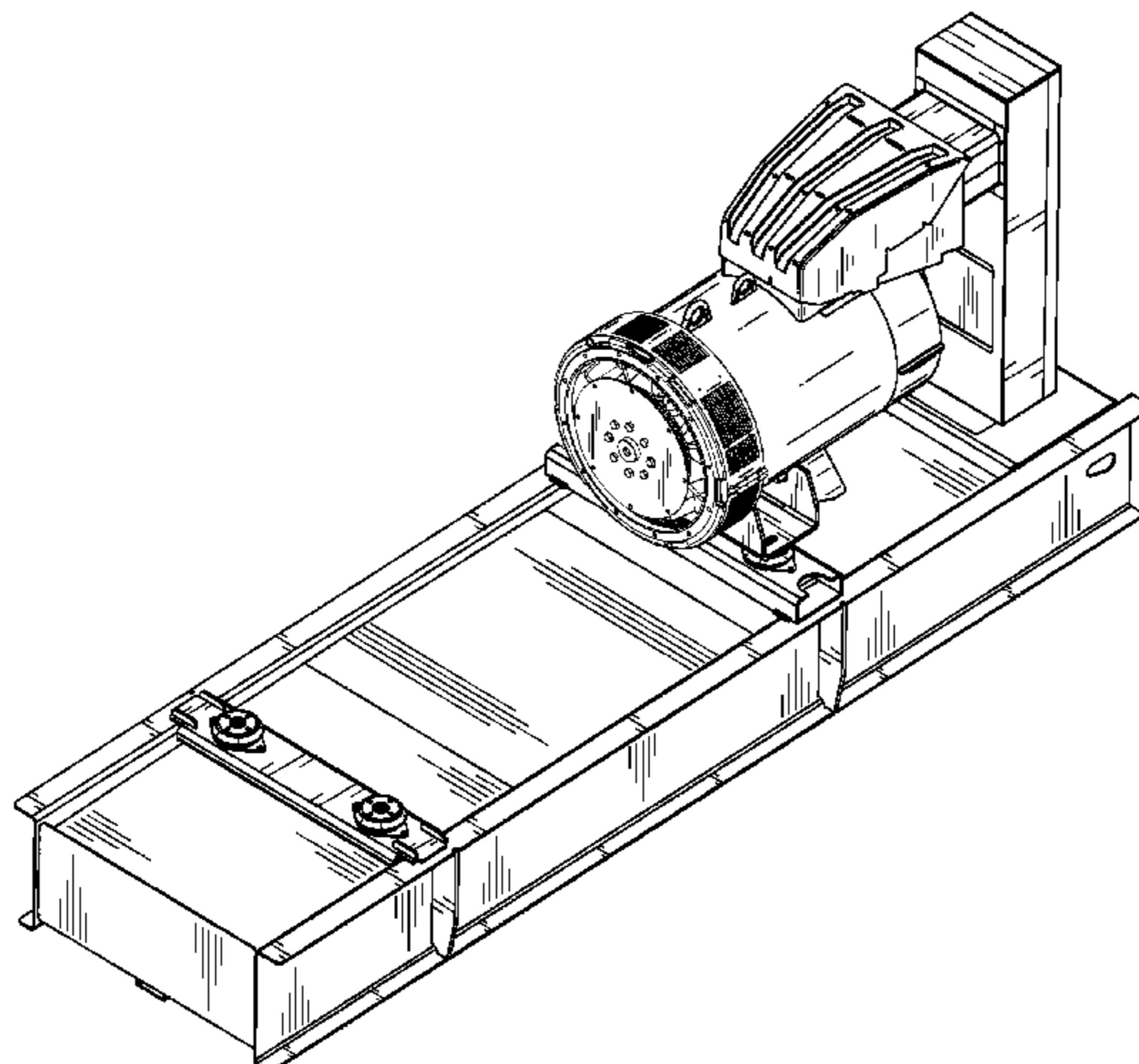
Primary Examiner — Derrick Holland
Assistant Examiner — Jennifer O King

(57) **CLAIM**
The ornamental design for an electric power generation arrangement, as shown and described.

DESCRIPTION

FIG. 1 is a perspective view of an electric power generation arrangement showing our new design;
FIG. 2 is a right side view thereof;
FIG. 3 is a left side view thereof;
FIG. 4 is a top plan view thereof;
FIG. 5 is a bottom plan view thereof;
FIG. 6 is a front elevation view thereof;
FIG. 7 is a rear elevation view thereof;
FIG. 8 is an enlarged perspective view of the control tower portion thereof, shown separated for ease of illustration;
FIG. 9 is right side view thereof;
FIG. 10 is left side view thereof;
FIG. 11 is front elevation view thereof;
FIG. 12 is a rear elevation view thereof;
FIG. 13 is a bottom plan view thereof;
FIG. 14 is a top plan view thereof;
FIG. 15 is an enlarged perspective view of the cable duct portion thereof, shown separated for ease of illustration;
FIG. 16 is a front elevation view thereof;
FIG. 17 is a rear elevation view thereof;
FIG. 18 is a left side view thereof;
FIG. 19 is a right side view thereof;
FIG. 20 is a top plan view thereof; and,
FIG. 21 is a bottom plan view thereof.
The broken lines shown represent unclaimed subject matter and form no part of the claimed design.

1 Claim, 16 Drawing Sheets



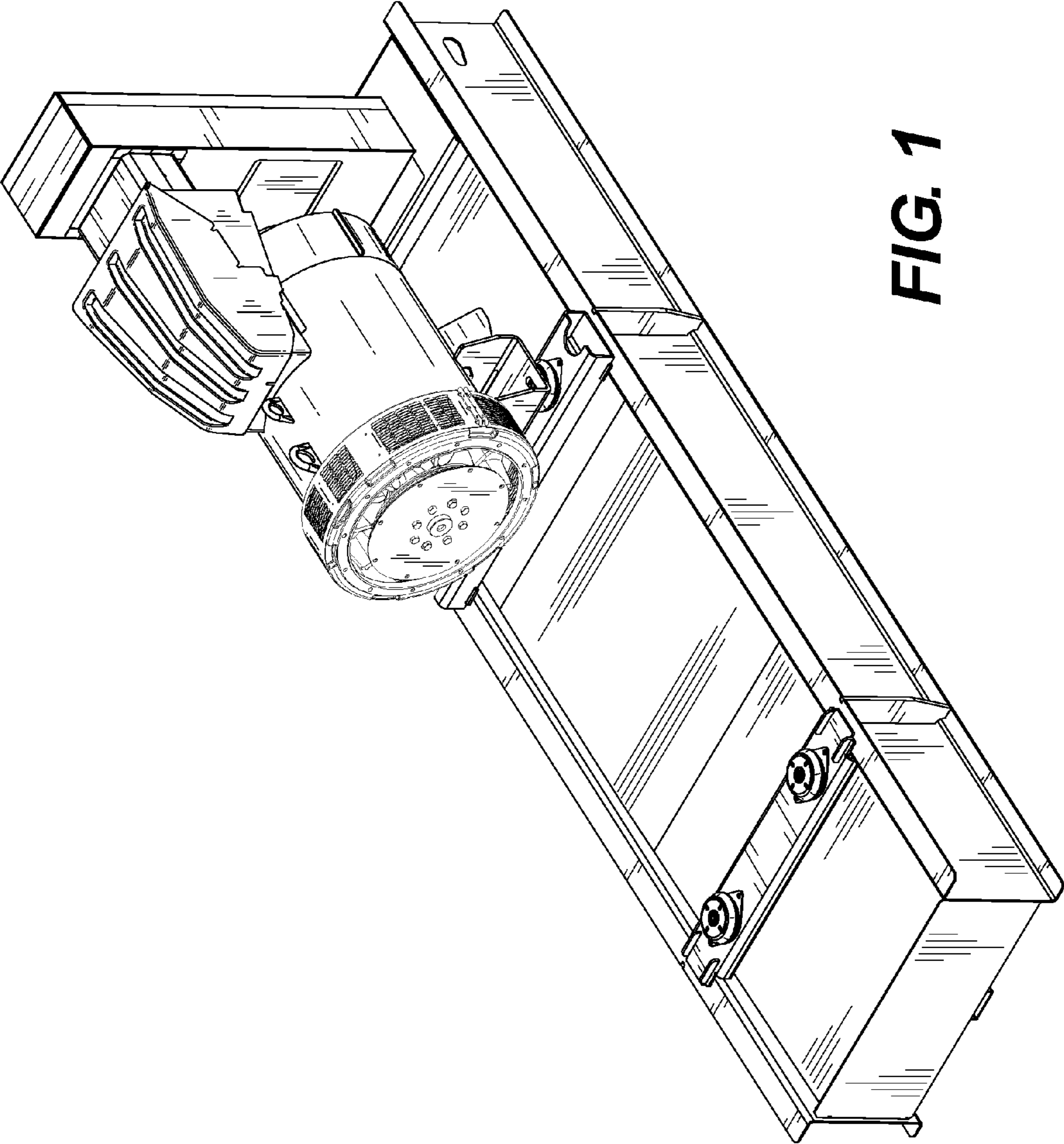


FIG. 1

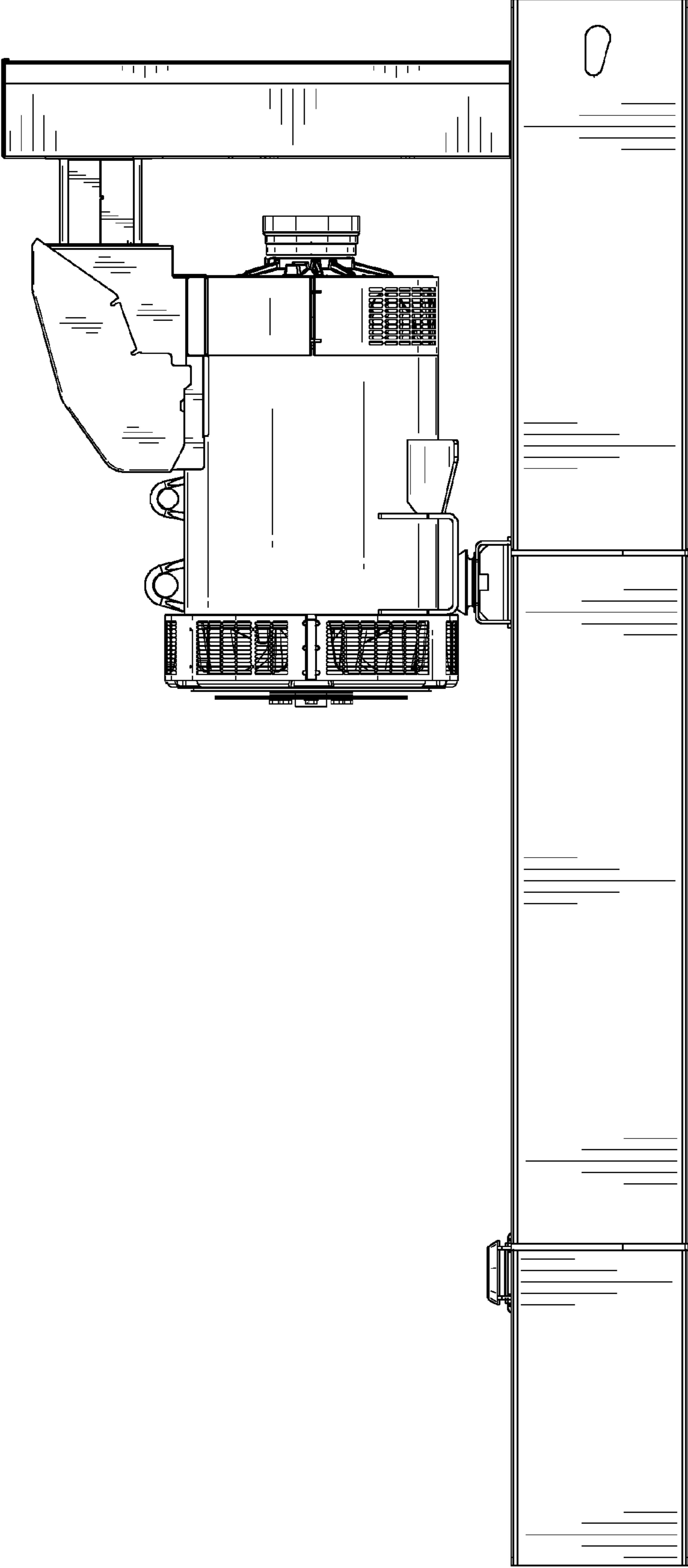


FIG. 2

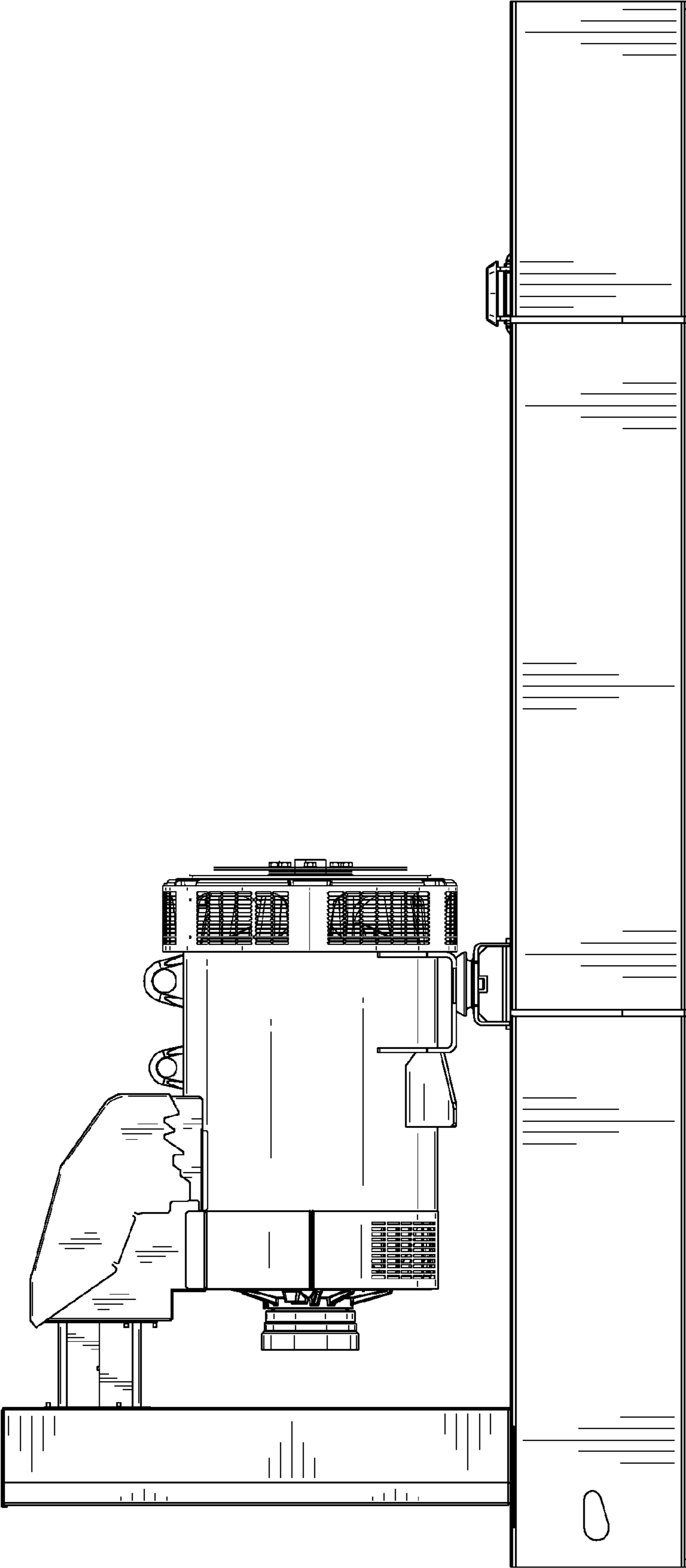


FIG. 3

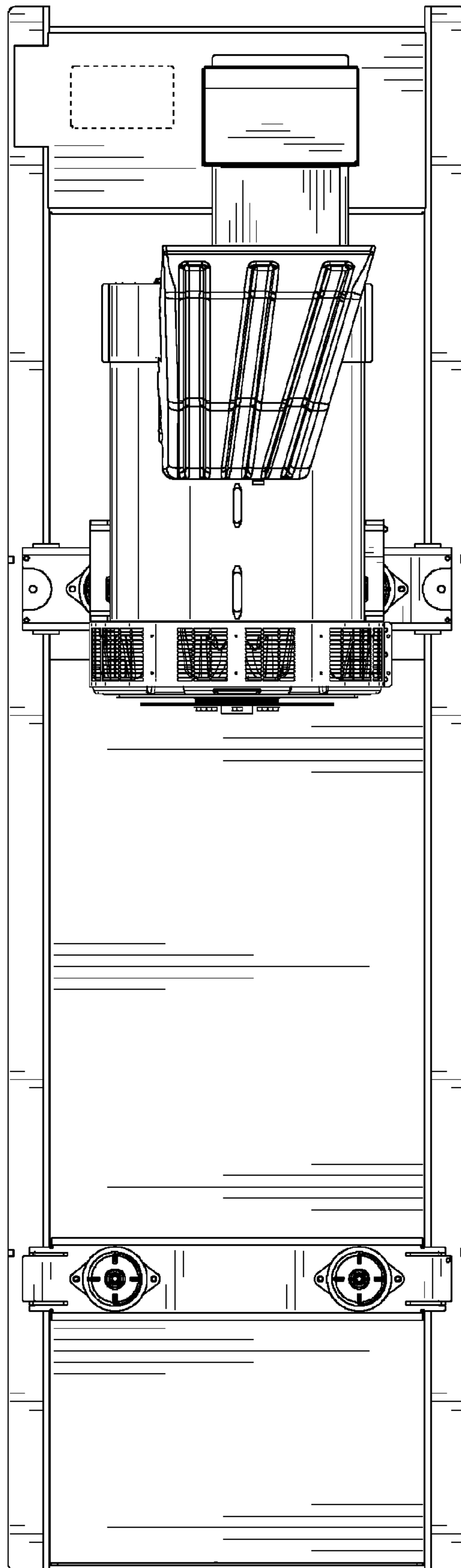


FIG. 4

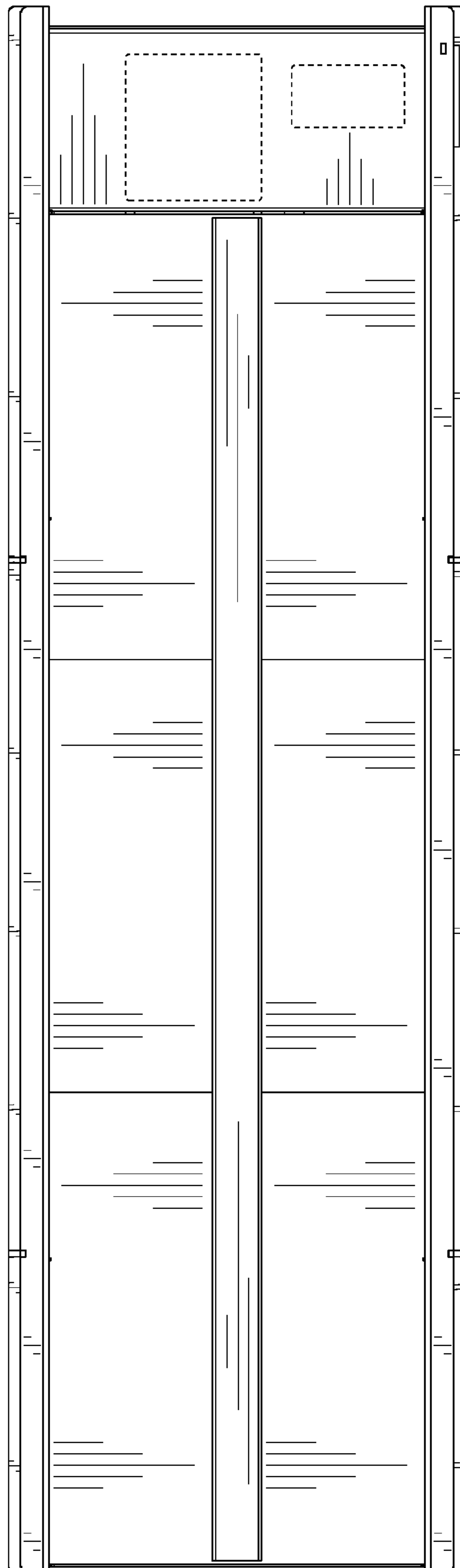


FIG. 5

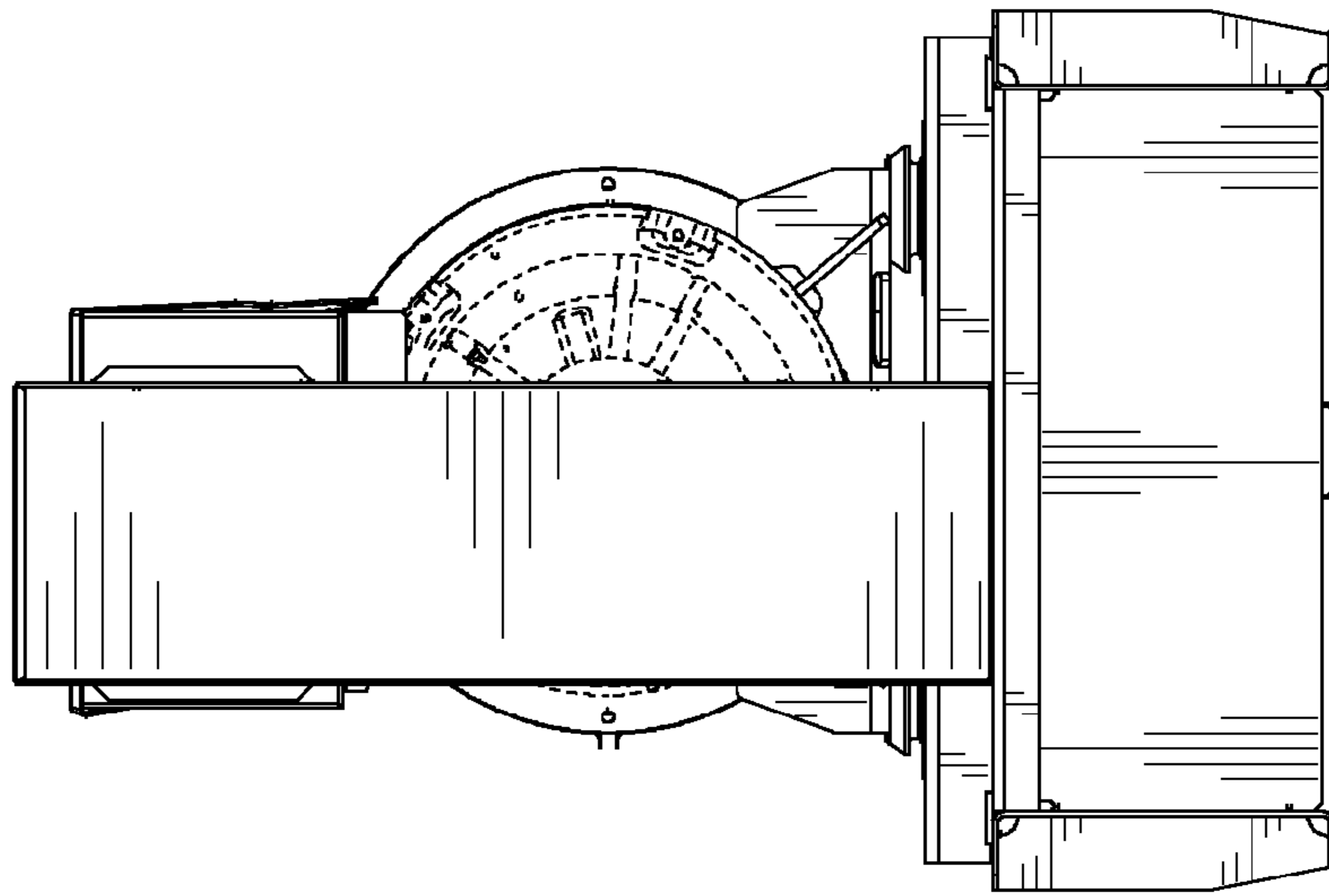


FIG. 6

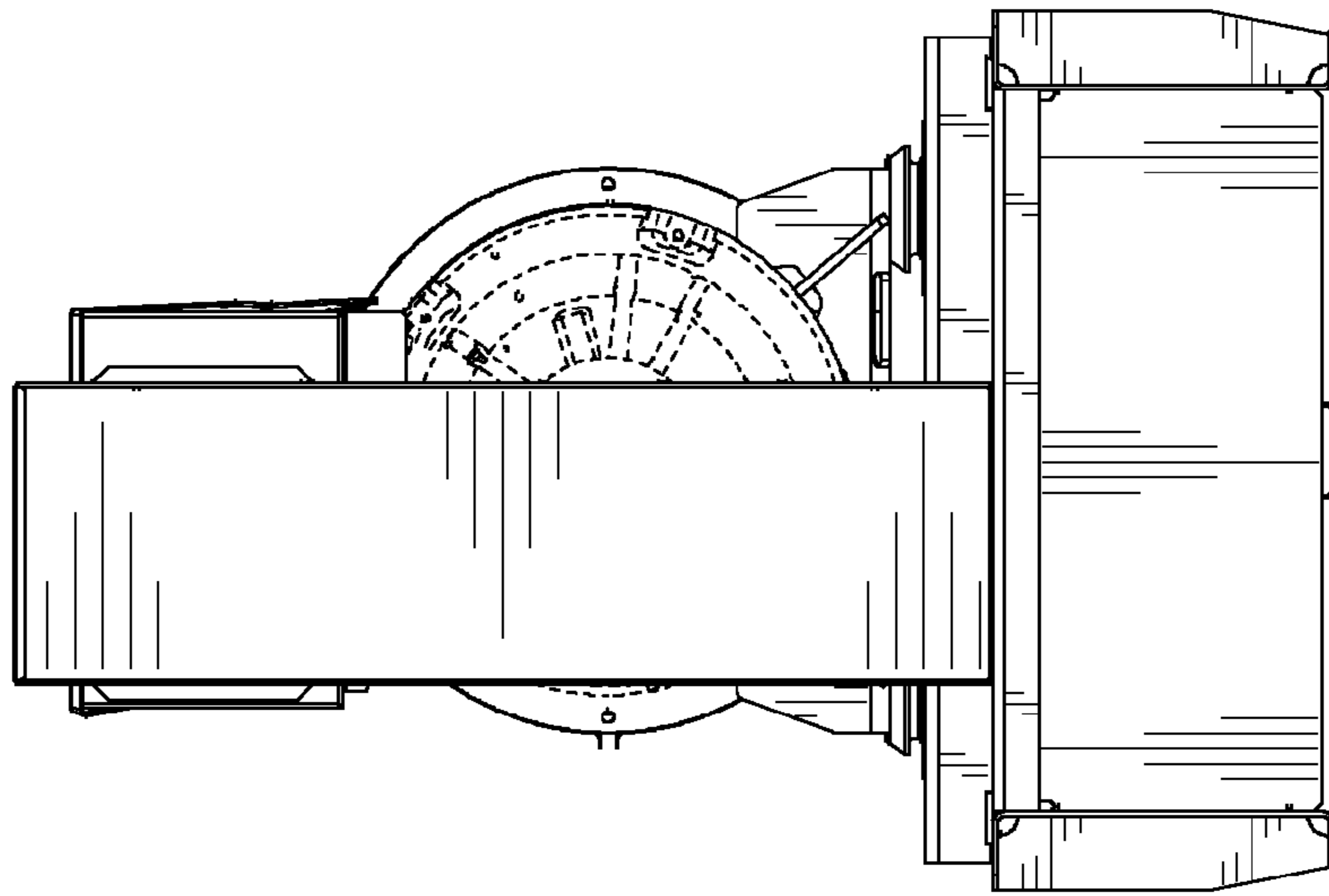


FIG. 7

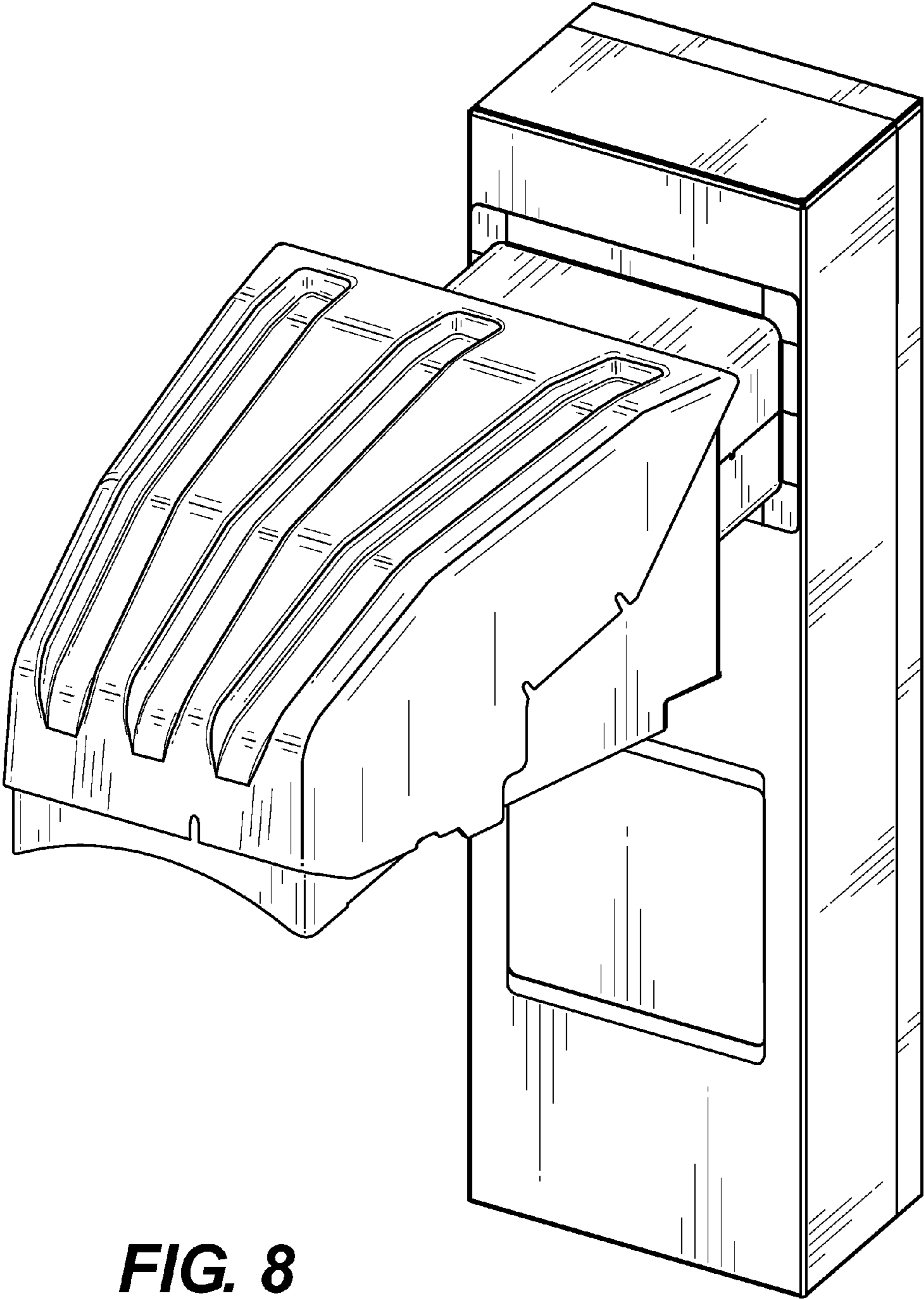


FIG. 8

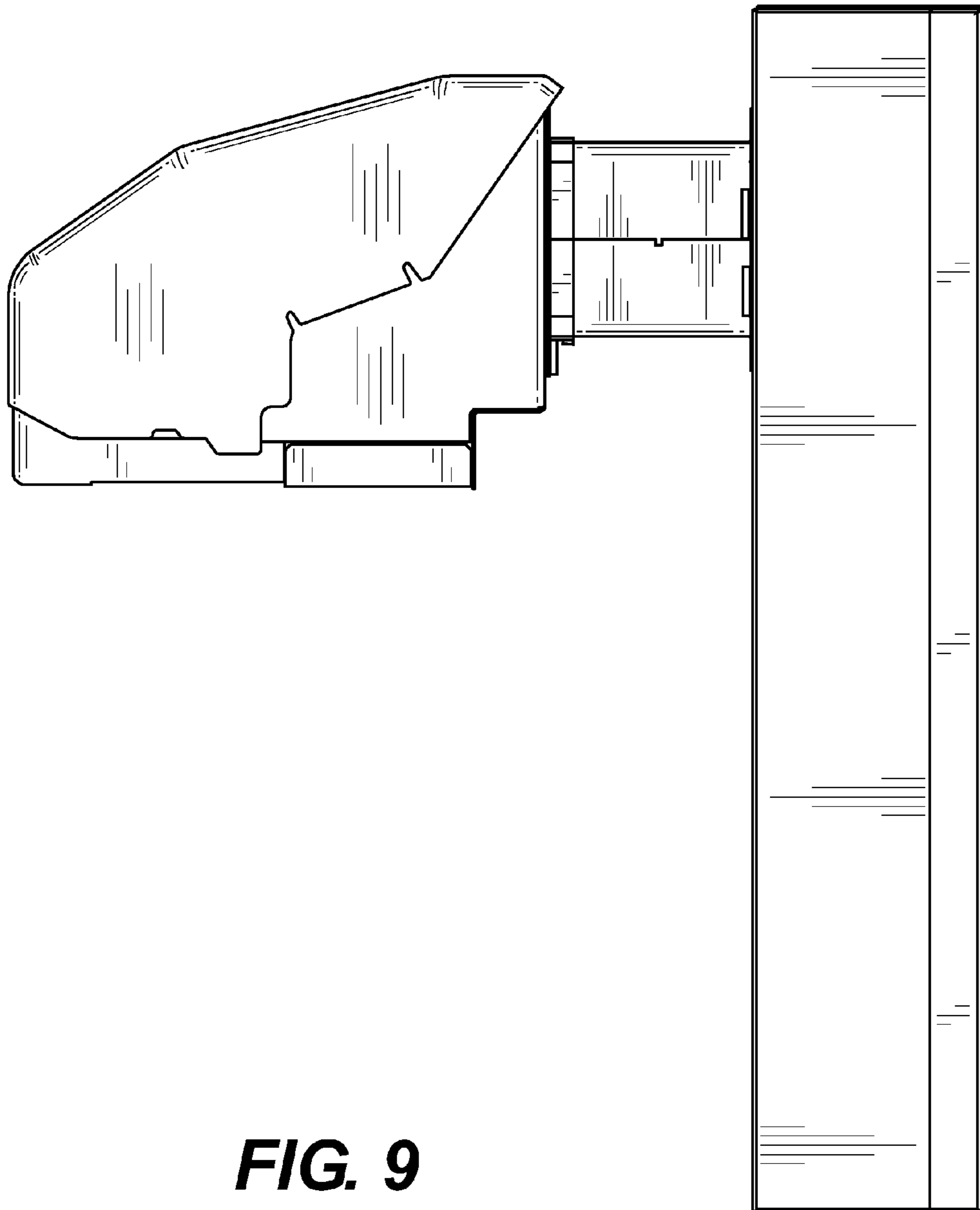


FIG. 9

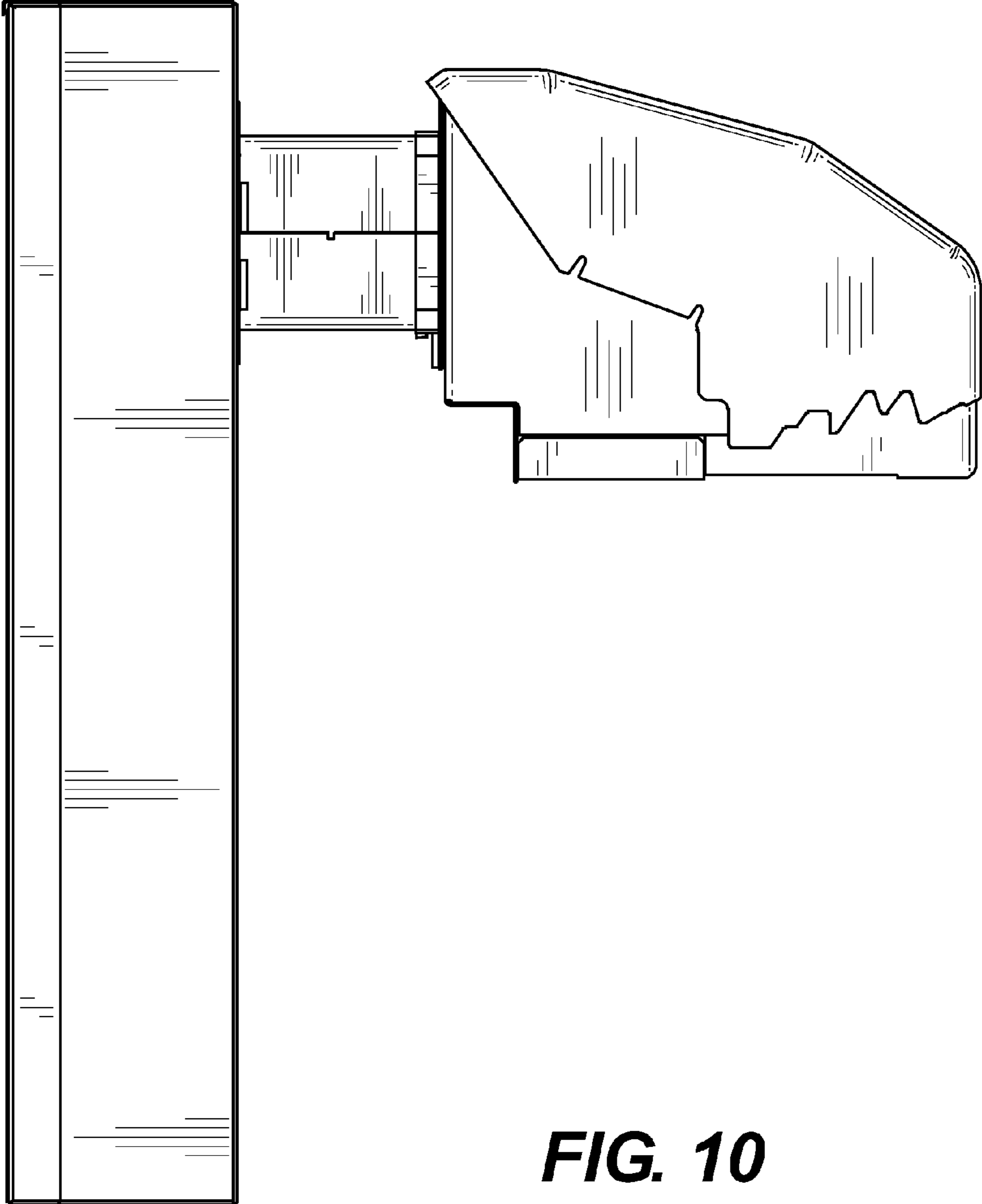


FIG. 10

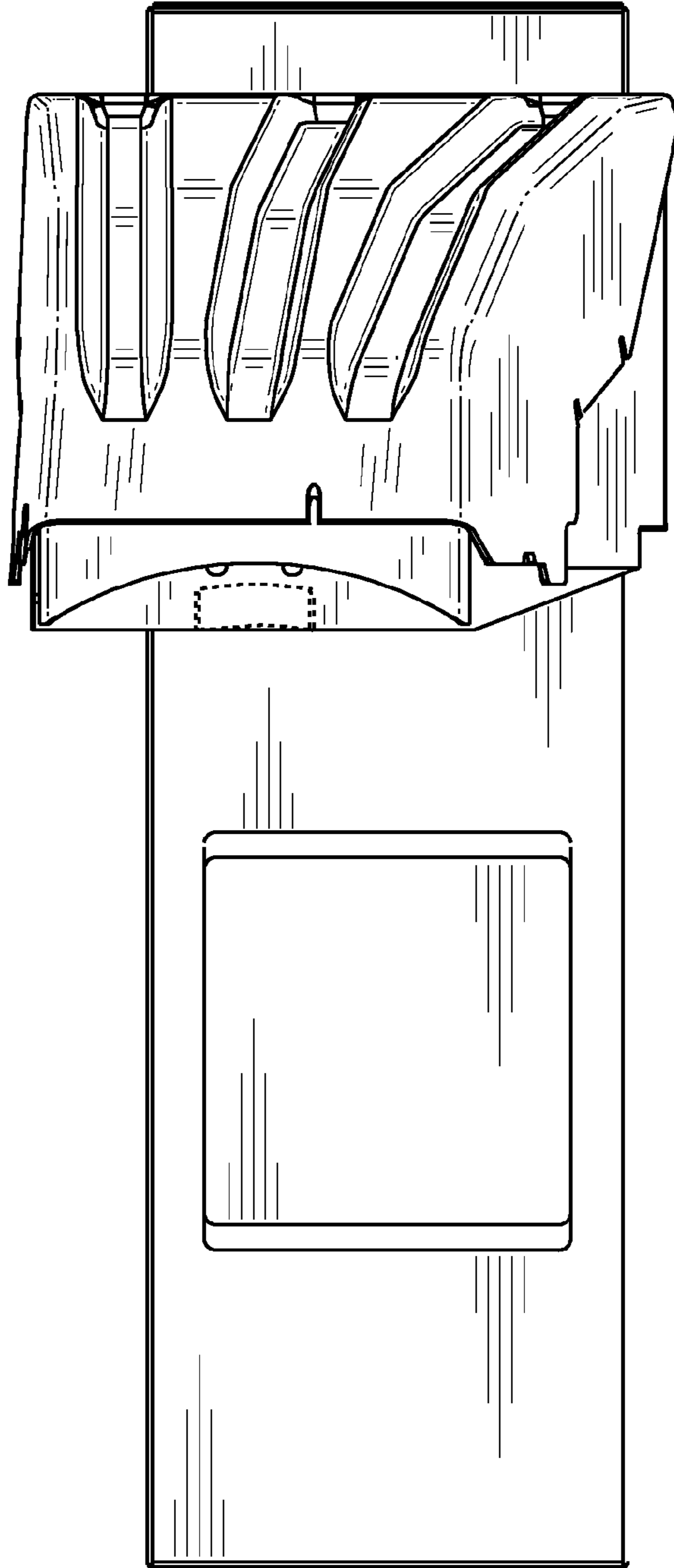


FIG. 11

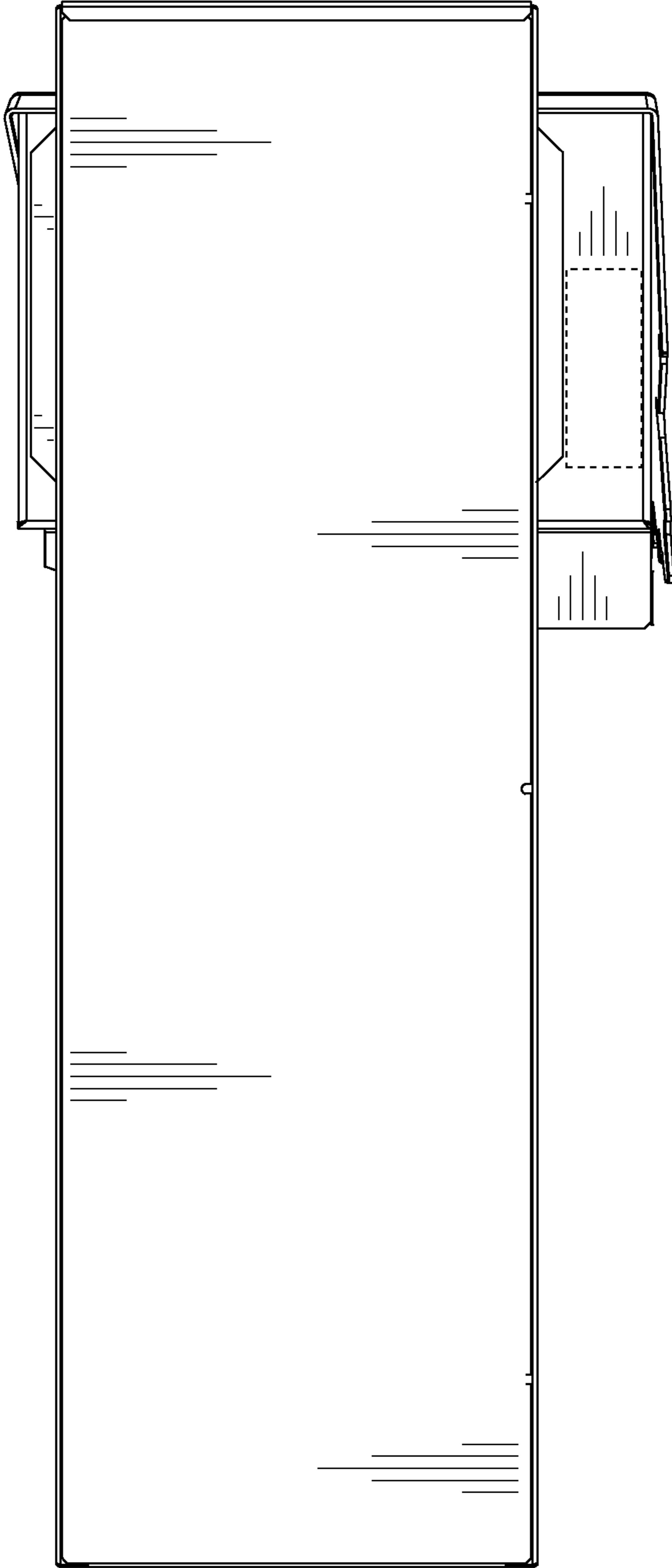


FIG. 12

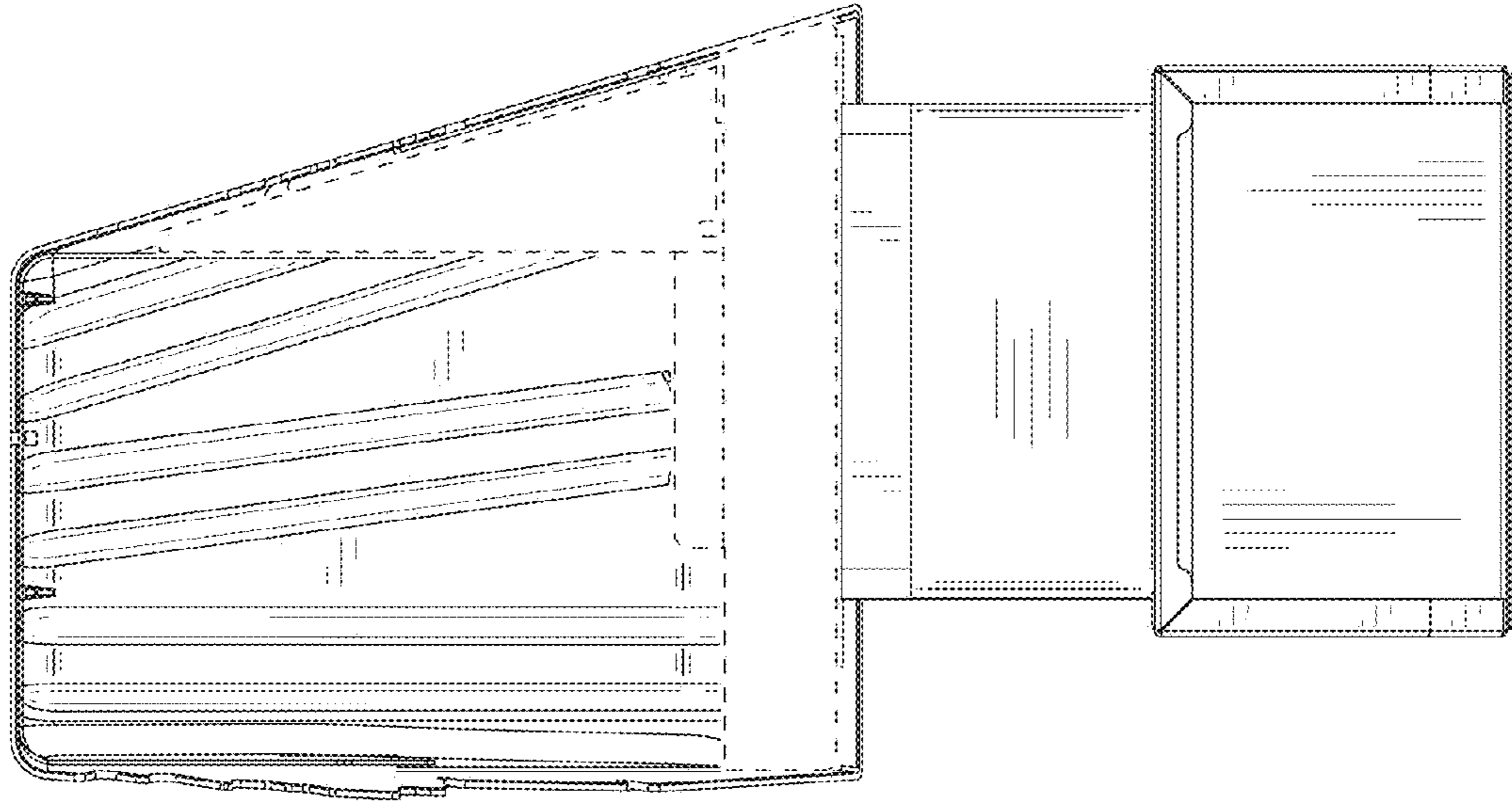


FIG. 13

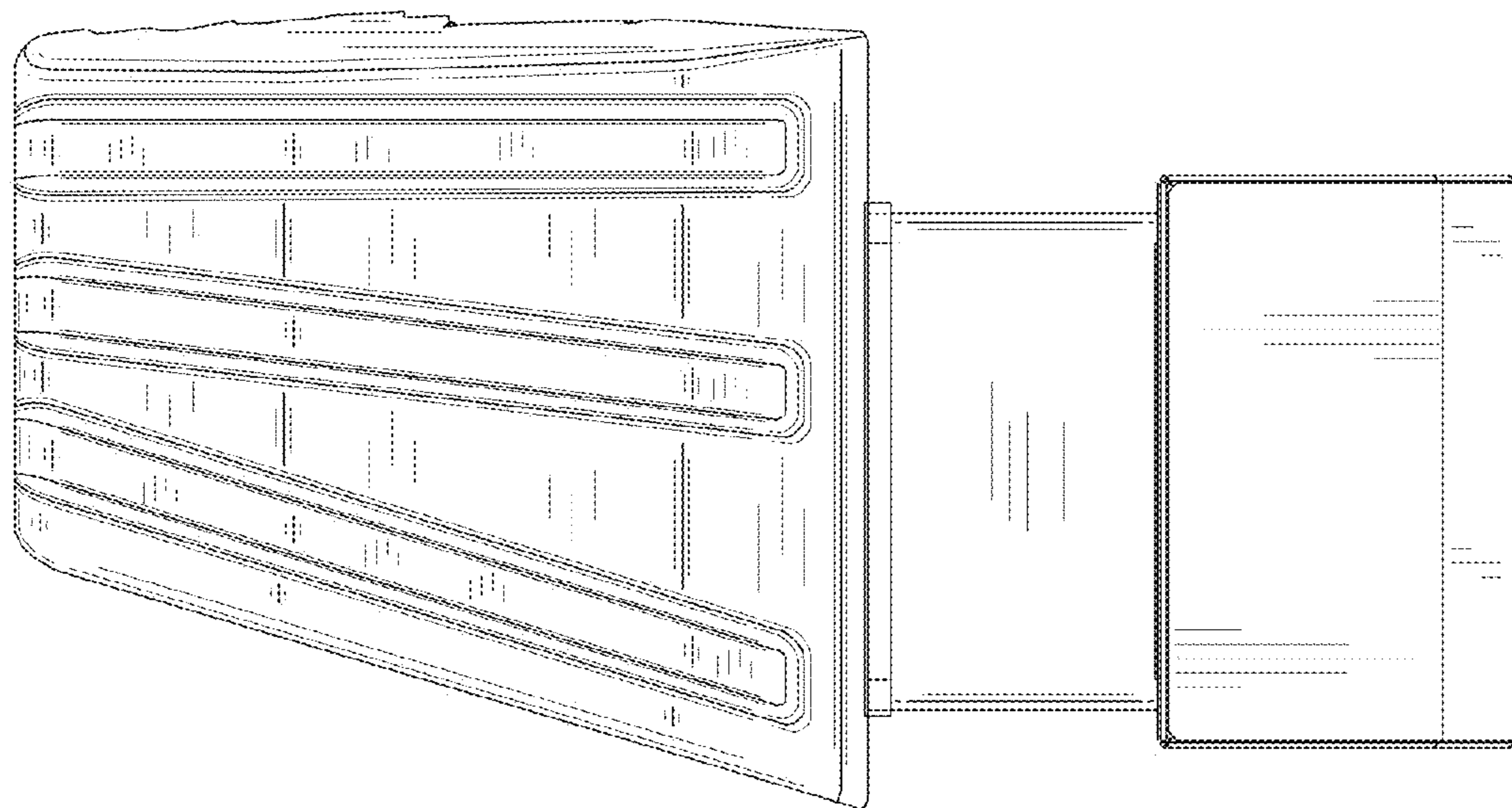


FIG. 14

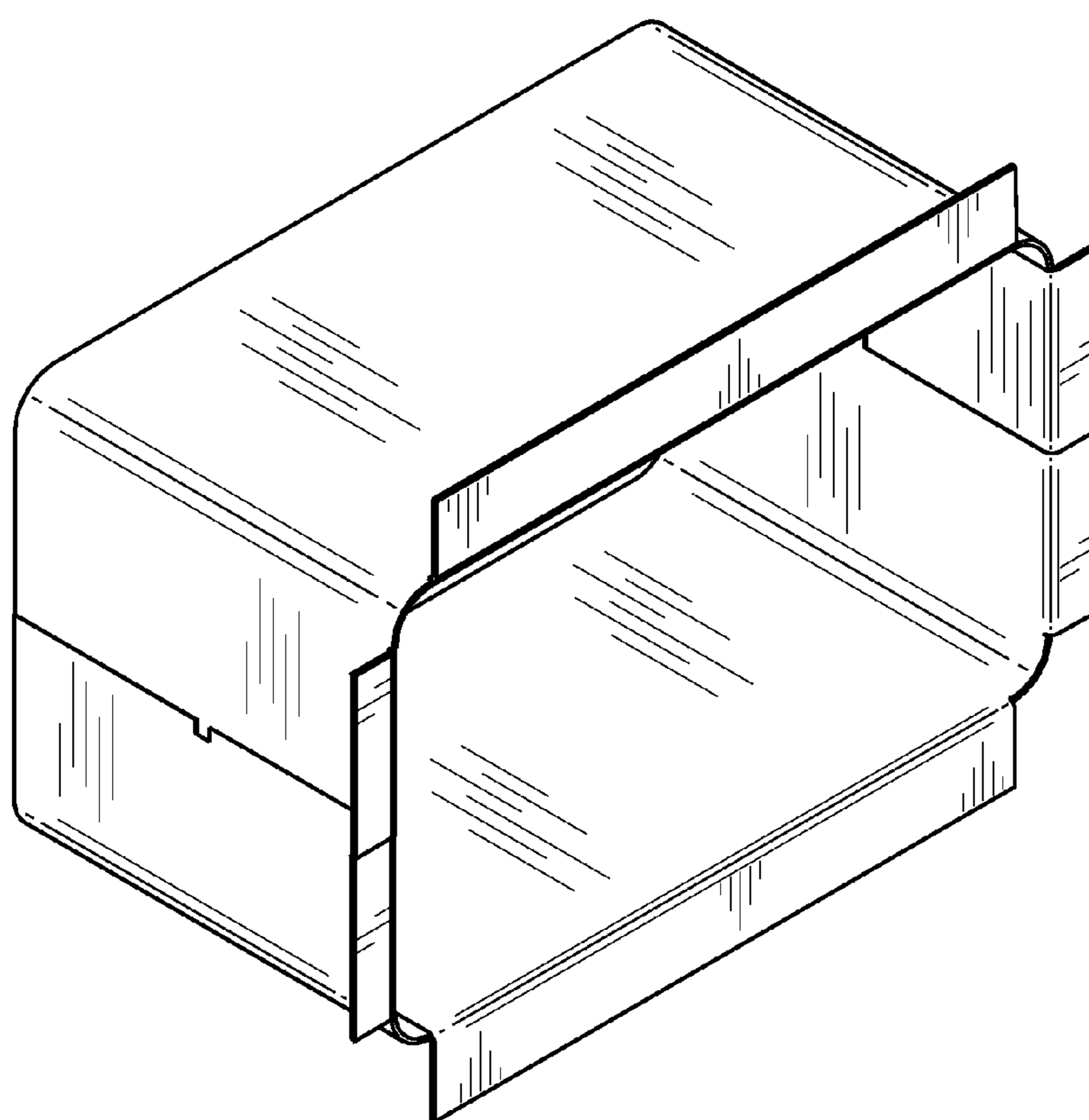


FIG. 15

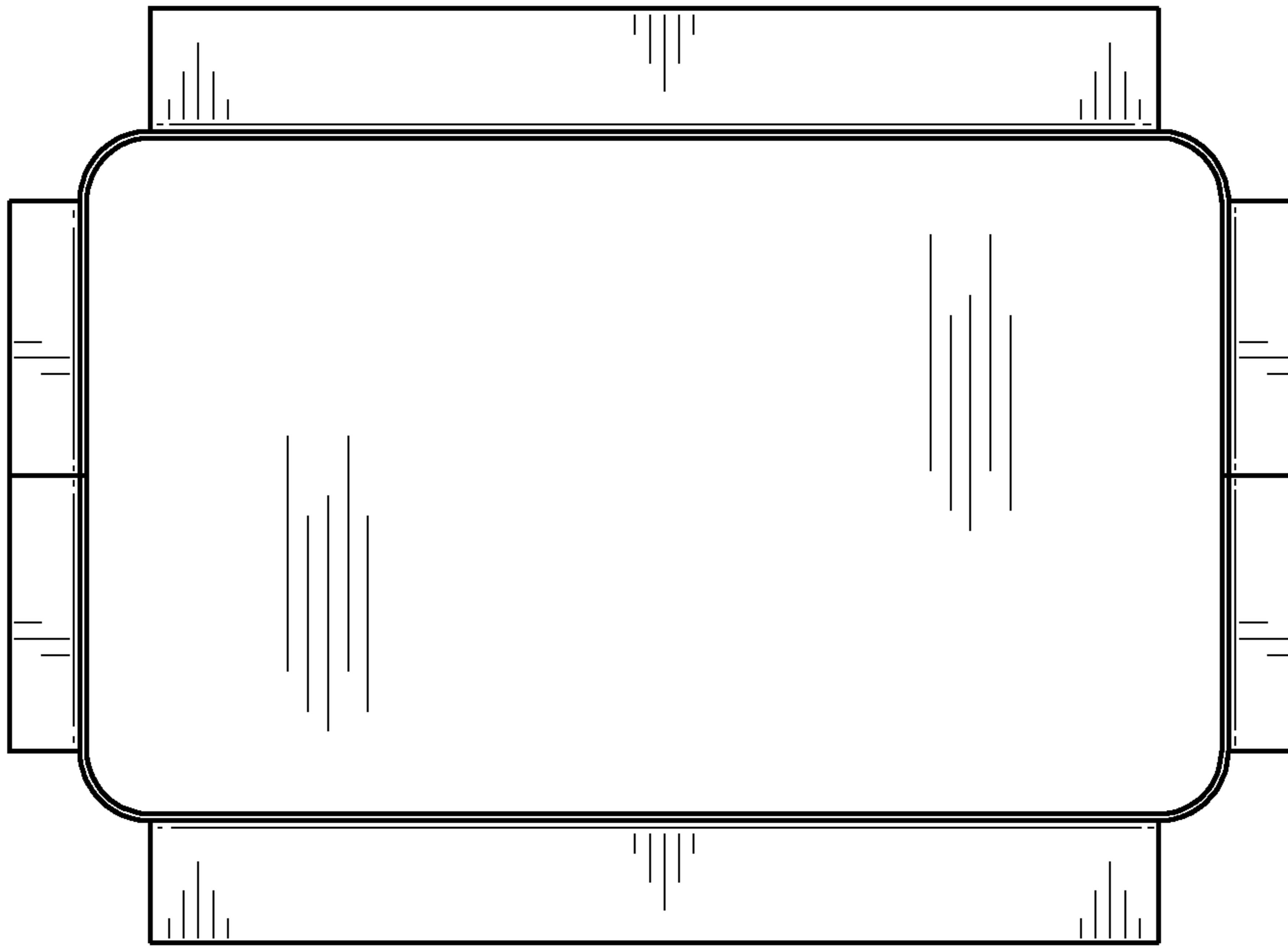


FIG. 16

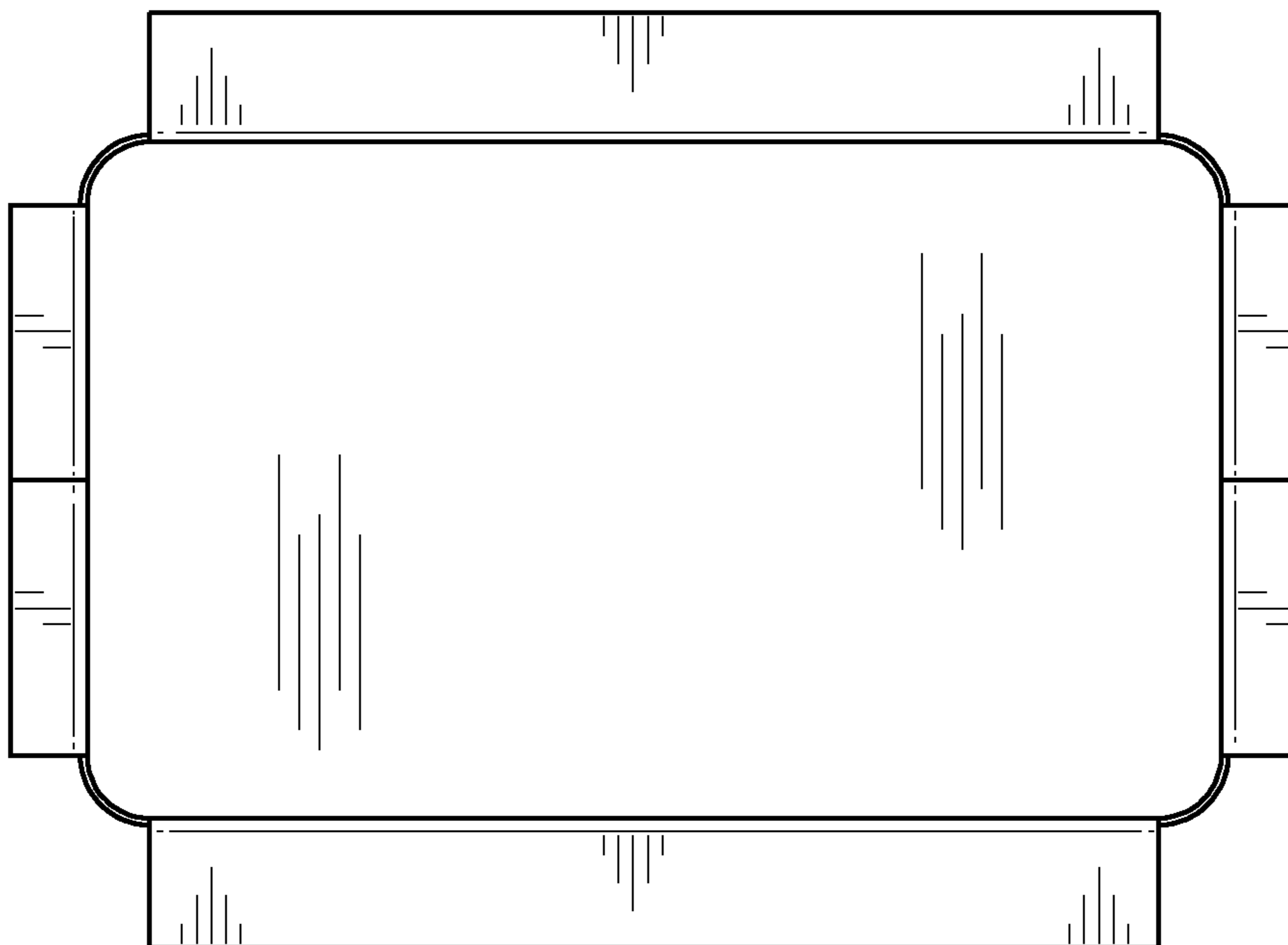


FIG. 17

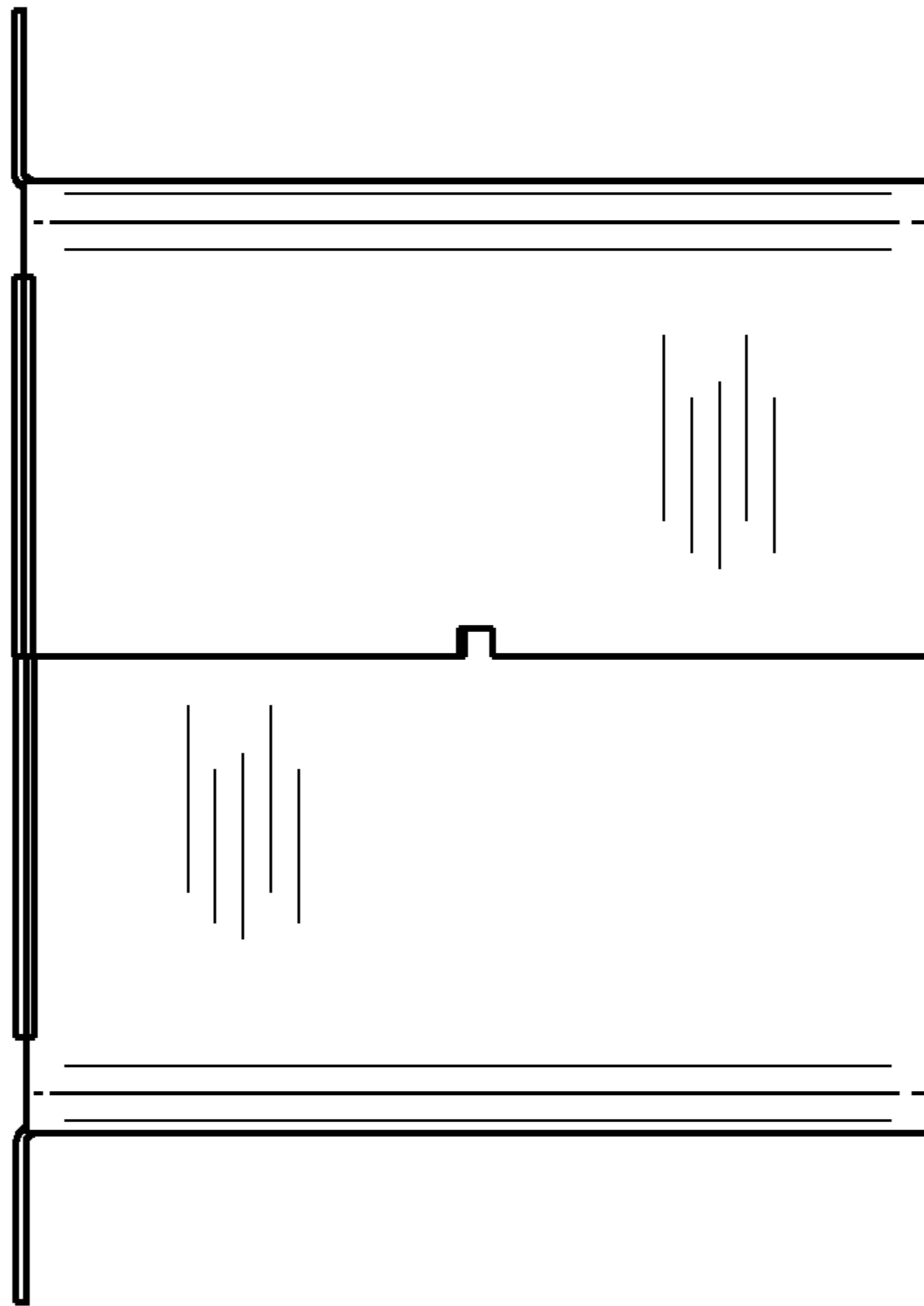


FIG. 18

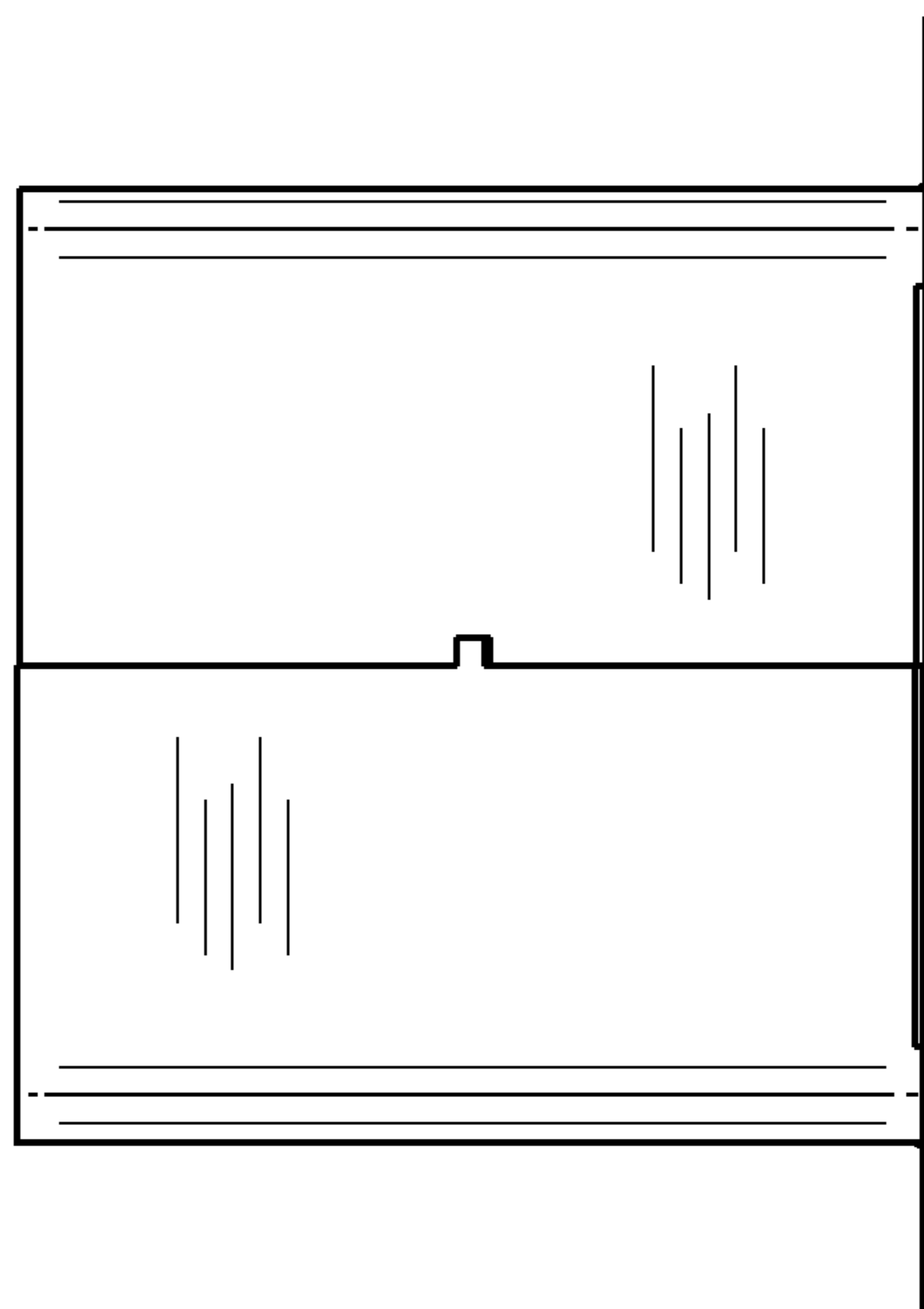


FIG. 19

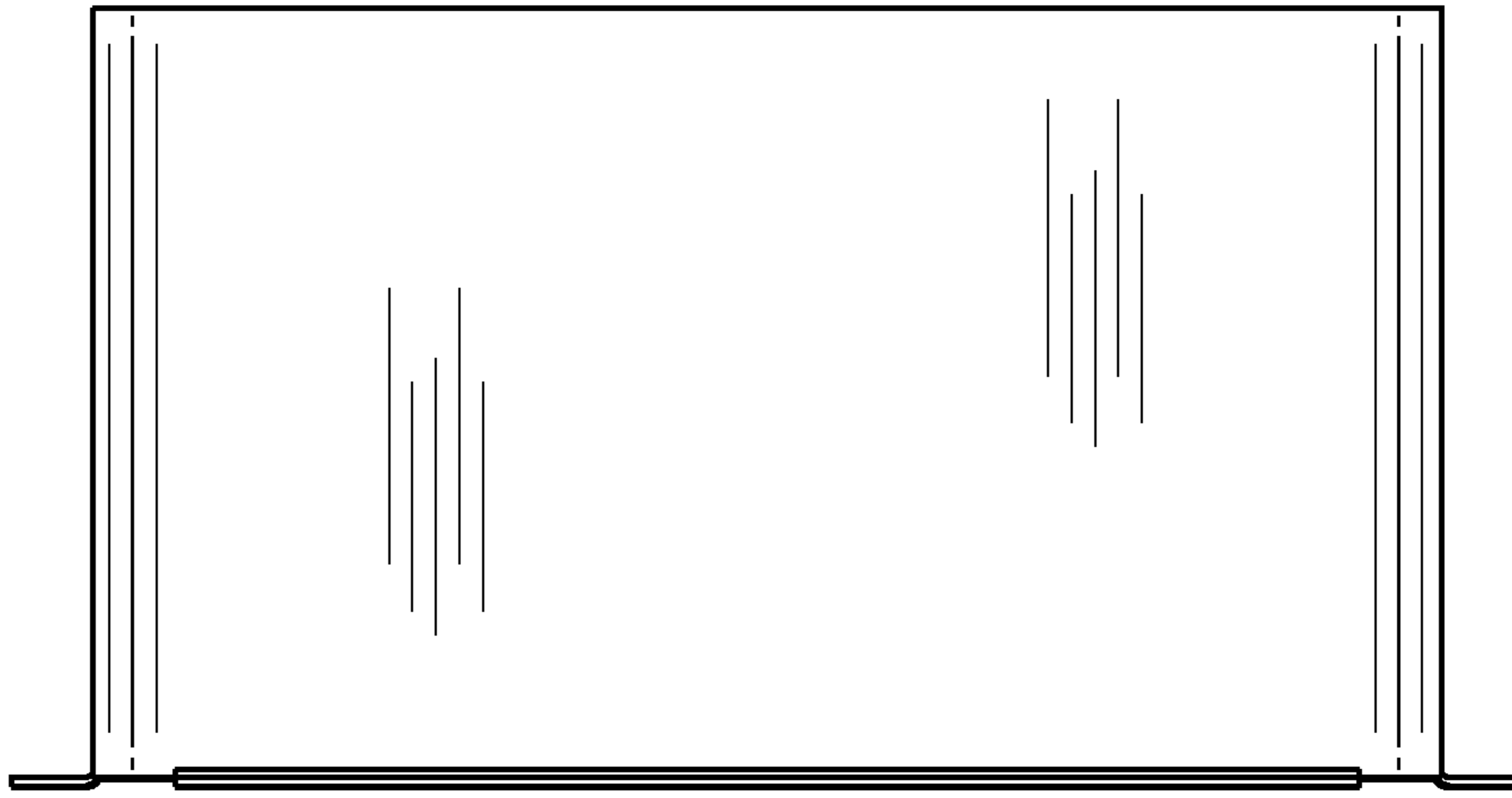


FIG. 20

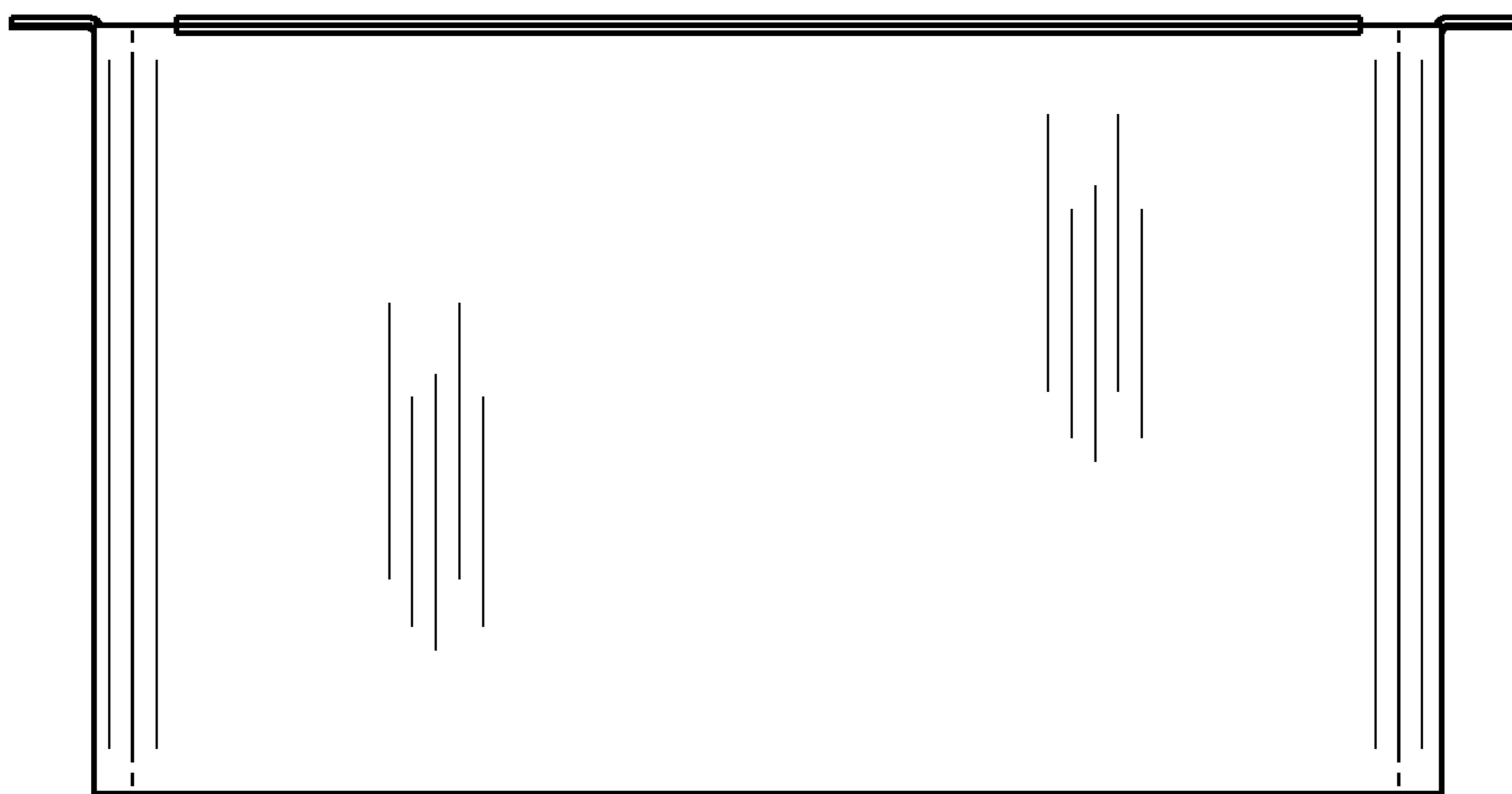


FIG. 21