



US00D735133S

(12) **United States Design Patent**
Reishus et al.

(10) **Patent No.:** **US D735,133 S**
(45) **Date of Patent:** **** Jul. 28, 2015**

(54) **CHARGER FOR POWERED BRUSH HANDLE**

(56) **References Cited**

(71) Applicant: **L'Oréal USA Creative, Inc.**, New York, NY (US)

U.S. PATENT DOCUMENTS

(72) Inventors: **Richard Allen Reishus**, Renton, WA (US); **Joel Timothy Aragon**, Snohomish, WA (US); **Suk Ping Wong**, Sammamish, WA (US); **Richard Hanks**, Seattle, WA (US); **Adam Weisgerber**, Kirkland, WA (US); **Michele Snyder**, Redmond, WA (US); **Patrick Jones**, Redmond, WA (US); **Lisa Nguyen**, Redmond, WA (US); **Joseph E. Skidmore**, Issaquah, WA (US)

D508,458 S * 8/2005 Solland et al. D13/108
D521,927 S * 5/2006 Franck et al. D13/108
D524,282 S * 7/2006 Beasley et al. D14/149
D526,973 S * 8/2006 Gates et al. D13/184

(Continued)

OTHER PUBLICATIONS

“Skin Optimizing Platform™,” Elizabeth Arden, Inc. marketing materials, 72nd Annual Meeting of the American Academy of Dermatology, Denver, Colorado, Mar. 21-25, 2014, 2 pages.

(Continued)

(73) Assignee: **L'Oréal USA Creative, Inc.**, New York, NY (US)

Primary Examiner — Rosemary K Tarca

(**) Term: **14 Years**

(74) *Attorney, Agent, or Firm* — Christensen O'Connor Johnson Kindness PLLC

(21) Appl. No.: **29/504,209**

(57) **CLAIM**

(22) Filed: **Oct. 2, 2014**

The ornamental design for a charger for powered brush handle, as shown and described.

Related U.S. Application Data

(62) Division of application No. 29/489,089, filed on Apr. 25, 2014, now Pat. No. Des. 717,244.

(51) **LOC (10) Cl.** **13-02**

(52) **U.S. Cl.**
USPC **D13/108**

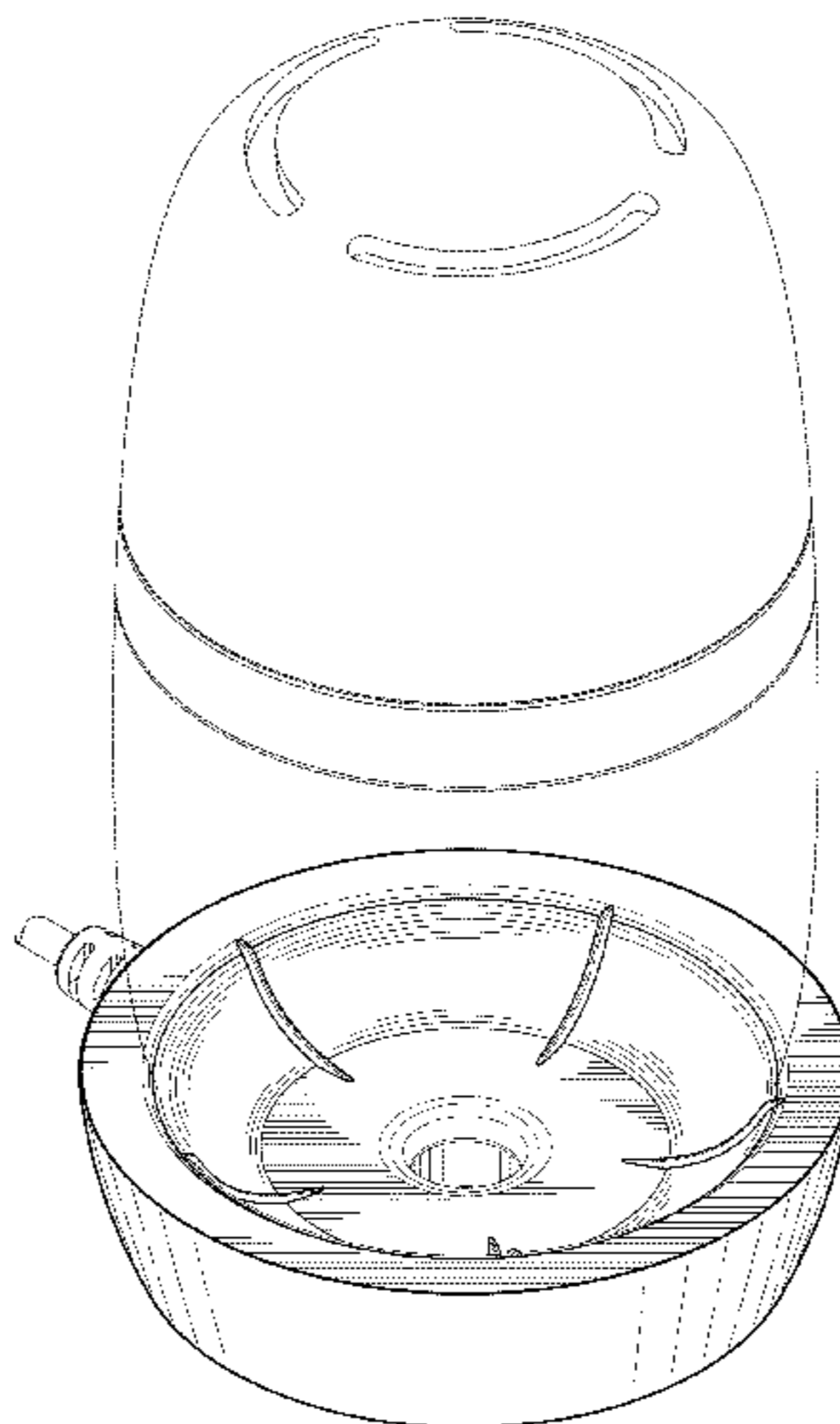
(58) **Field of Classification Search**
USPC D13/107–110, 118–119, 184, 199;
D14/251, 253, 432, 434; 320/107–115,
320/128, 137–140
CPC Y02E 60/12; Y02T 90/14; Y02T 90/122;
Y02T 90/128; Y02T 90/163; H02J 7/025;
H02J 7/0042; H02J 7/0044; H02J 7/0045;
H02J 7/0003; H01F 38/14; H01R 13/6675;
H01M 2/1022; H01M 2/1055; H01M 10/44;
H01M 10/46; H01M 10/425; B60L 11/182
See application file for complete search history.

DESCRIPTION

FIG. 1 is a top front right perspective view of a charger for powered brush handle in accordance with our new design; FIG. 2 is a top plan view thereof; FIG. 3 is a bottom plan view thereof; FIG. 4 is a front elevation view thereof; FIG. 5 is a rear elevation view thereof; FIG. 6 is a left side elevation view thereof; and, FIG. 7 is a right side elevation view thereof.

The broken lines immediately adjacent the shaded areas represent the bounds of the claimed design while all other broken lines are directed to environment and are for illustrative purposes only. The broken lines form no part of the claimed design.

1 Claim, 3 Drawing Sheets



(56)

References Cited

U.S. PATENT DOCUMENTS

D527,704 S * 9/2006 Rodarte D13/108
D537,409 S * 2/2007 Suzuki D13/108
D558,207 S * 12/2007 Ikeda et al. D14/434
D558,208 S * 12/2007 Ikeda et al. D14/434
D558,209 S * 12/2007 Ikeda et al. D14/434
D585,898 S * 2/2009 Skurdal D14/434
7,710,071 B2 * 5/2010 Elizalde Rodarte 320/115
D627,718 S * 11/2010 Houghton D13/108

D640,248 S * 6/2011 Baumann et al. D14/253
8,188,842 B2 * 5/2012 Otsuka et al. 340/12.22
D701,831 S * 4/2014 Park et al. D13/108
D706,212 S * 6/2014 Zwierstra et al. D13/107

OTHER PUBLICATIONS

“NutraSonic Comet Facial Beauty Tool Set: White,” NutraLuxe MD®, Fort Myers, Fla., <<http://www.nutraluxemd.com/nutrasonic-comet-facial-beauty-tool-set-white/>>, as early as May 2009, 3 pages.

* cited by examiner

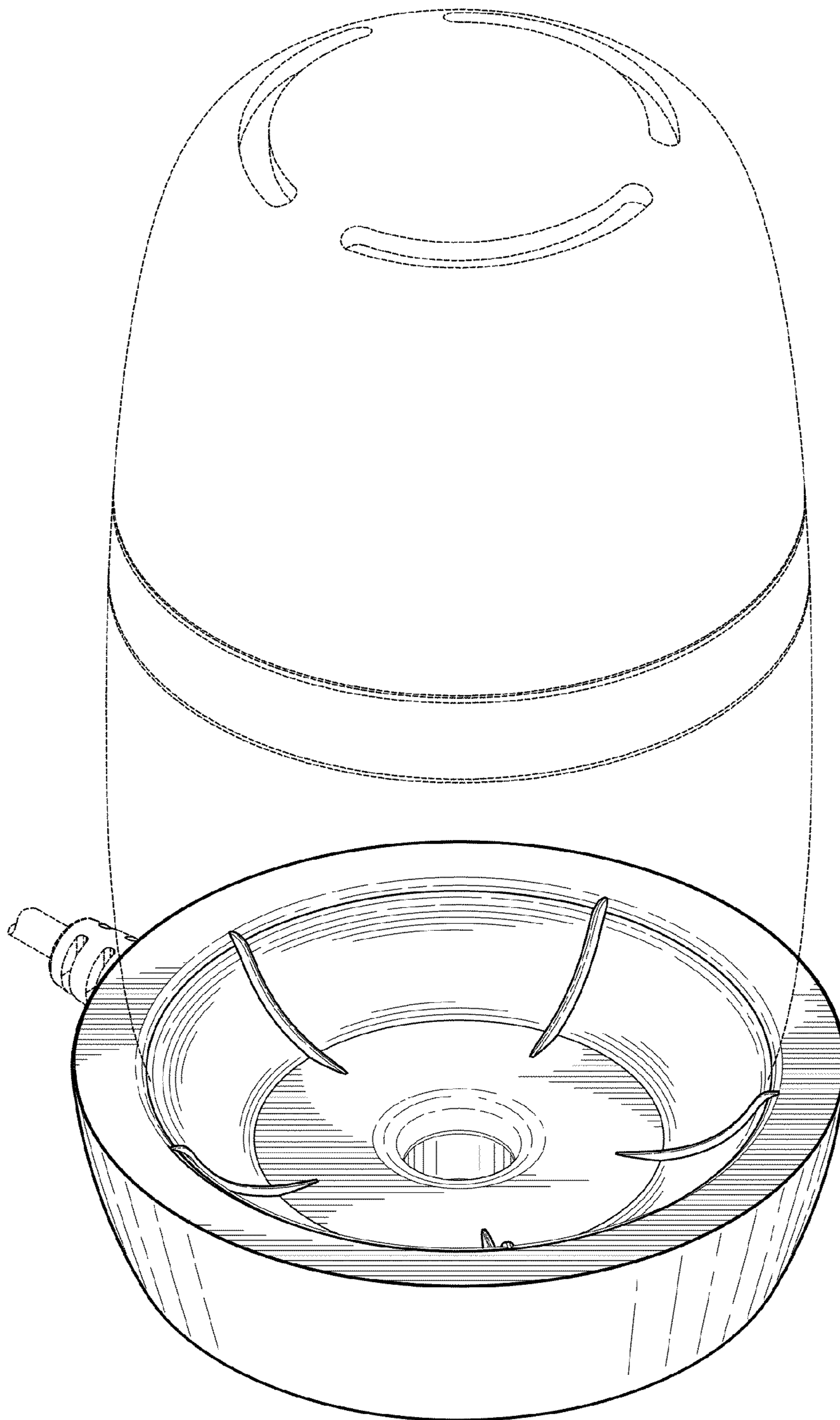


Fig. 1.

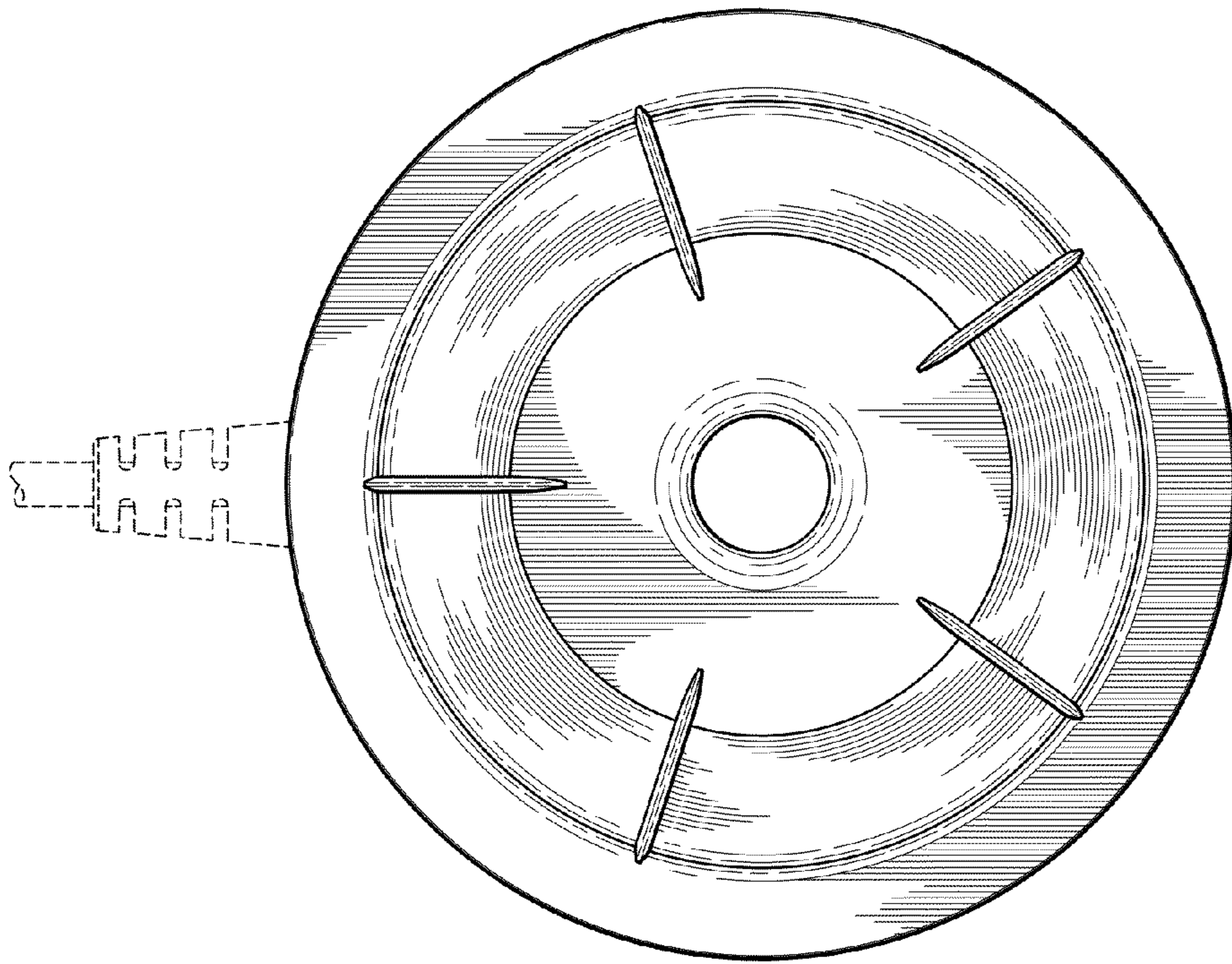


Fig. 2.

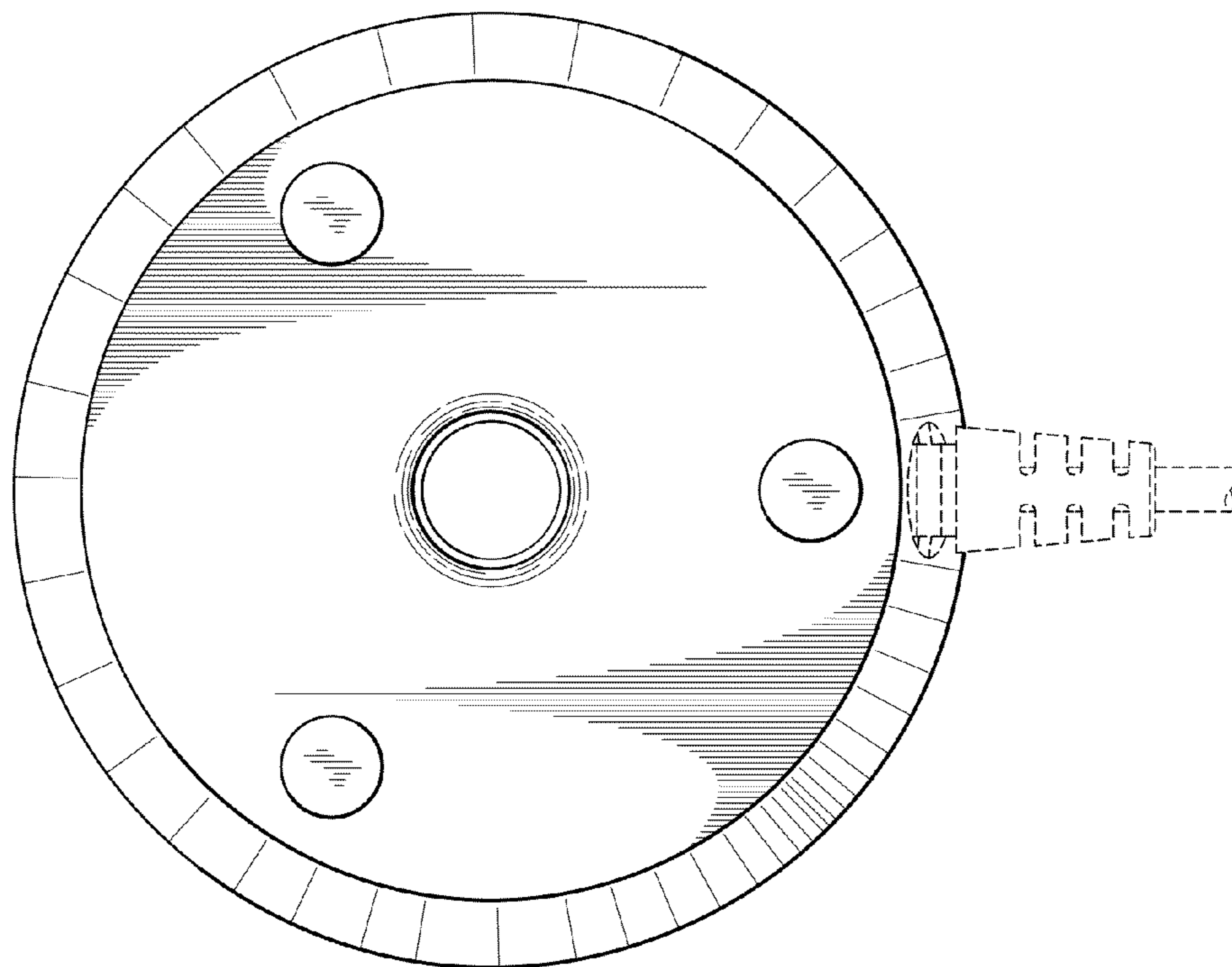


Fig. 3.

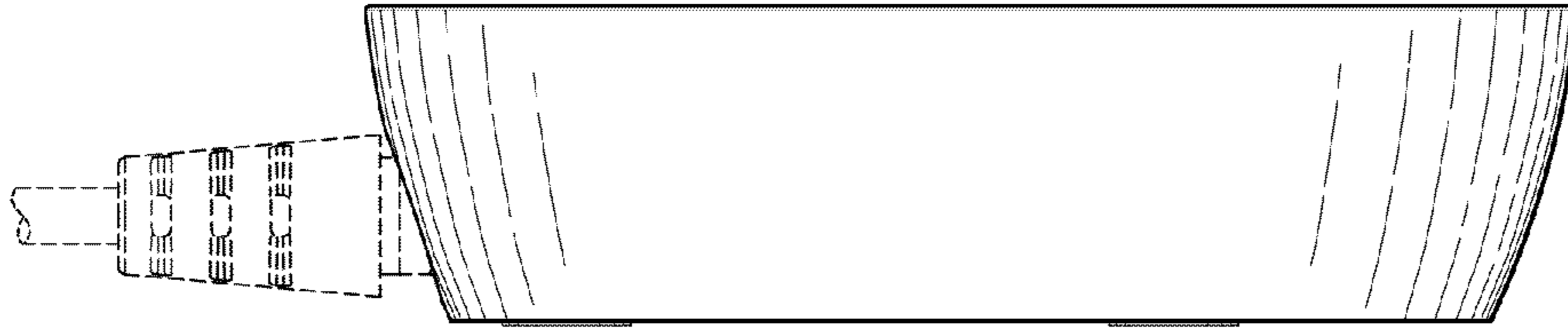


Fig. 4.

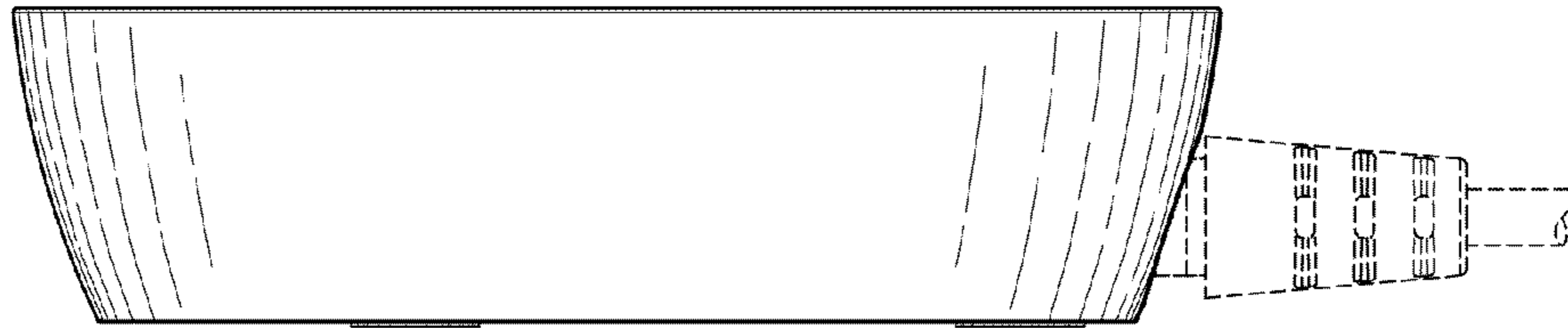


Fig. 5.

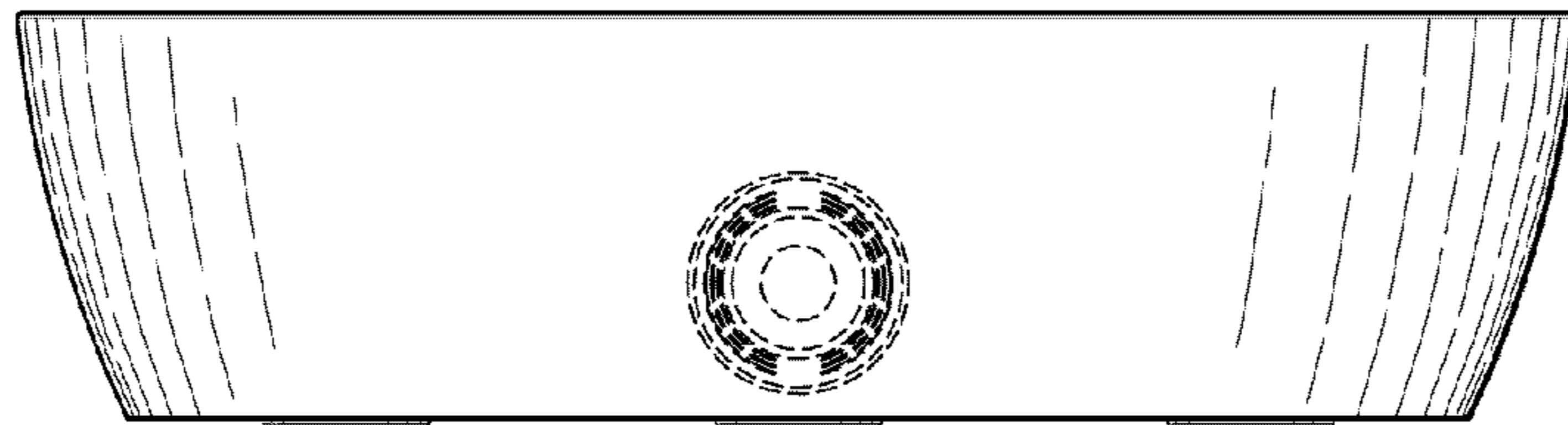


Fig. 6.

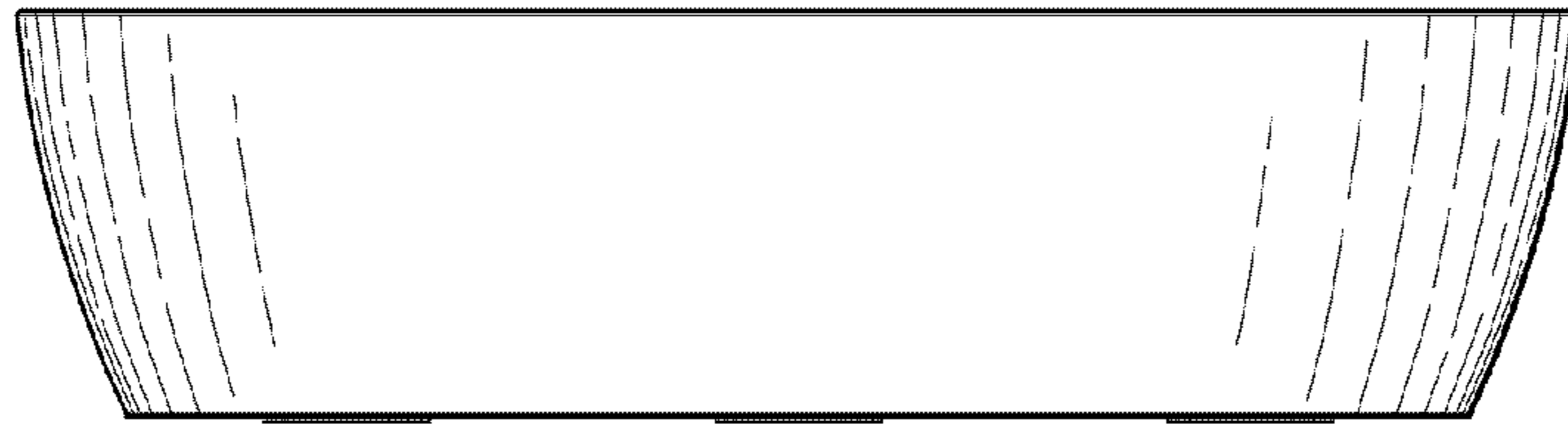


Fig. 7.