



US00D735130S

(12) **United States Design Patent**  
**Huang**

(10) **Patent No.:** **US D735,130 S**  
(45) **Date of Patent:** **\*\* Jul. 28, 2015**

(54) **USB CHARGER**

(71) Applicant: **OXERER TECHNOLOGIES CO., LTD.**, Taipei (TW)

(72) Inventor: **Po-Chin Huang**, Taipei (TW)

(73) Assignee: **Oxerer Technologies Co., Ltd.**, Taipei (TW)

(\*\*) Term: **14 Years**

(21) Appl. No.: **29/481,700**

(22) Filed: **Feb. 10, 2014**

(30) **Foreign Application Priority Data**

Aug. 12, 2013 (TW) ..... 102305465

(51) **LOC (10) Cl.** ..... **13-02**

(52) **U.S. Cl.**  
USPC ..... **D13/108**

(58) **Field of Classification Search**  
USPC ..... D13/107-110, 118-119, 184, 199;  
D14/251, 253, 432, 434  
CPC ..... H02J 7/025; H02J 7/0042; H02J 7/0044;  
H02J 7/0045; H02J 7/0054; H02J 7/0003;  
B60L 11/182; Y02E 60/12; Y02T 10/7005;  
Y02T 10/7088; Y02T 90/14; Y02T 90/163;  
Y02T 90/122; Y02T 90/128; H01M 2/1022;  
H01M 2/1055; H01M 10/46; H01M 10/44;  
H01M 10/425; H01F 38/14; H01R 13/6675  
See application file for complete search history.

(56) **References Cited**

**U.S. PATENT DOCUMENTS**

D595,224 S \* 6/2009 Seil et al. .... D13/110  
D623,136 S \* 9/2010 Andre et al. .... D13/138.1  
D627,728 S \* 11/2010 Smith et al. .... D13/138.1  
D627,729 S \* 11/2010 Smith et al. .... D13/138.1

D638,357 S \* 5/2011 Sasada et al. .... D13/110  
D642,524 S \* 8/2011 Fitch et al. .... D13/110  
D647,476 S \* 10/2011 Ciou ..... D13/110  
D653,208 S \* 1/2012 Au ..... D13/108  
D653,614 S \* 2/2012 Au ..... D13/108  
D653,615 S \* 2/2012 Au ..... D13/108  
D654,020 S \* 2/2012 Au ..... D13/108  
D655,243 S \* 3/2012 Au ..... D13/108  
D655,244 S \* 3/2012 Au ..... D13/108  
D663,687 S \* 7/2012 Liu ..... D13/108  
D677,221 S \* 3/2013 McSweyn ..... D13/108  
D682,202 S \* 5/2013 Weaver et al. .... D13/108  
D682,781 S \* 5/2013 Wakafuji et al. .... D13/110  
D683,310 S \* 5/2013 McSweyn ..... D13/108  
D692,825 S \* 11/2013 Izen et al. .... D13/108  
D693,764 S \* 11/2013 Hok Man ..... D13/108  
D699,674 S \* 2/2014 Man ..... D13/108  
D702,631 S \* 4/2014 Esses ..... D13/108  
D712,829 S \* 9/2014 Huang ..... D13/110  
D718,715 S \* 12/2014 Si ..... D13/110  
D719,092 S \* 12/2014 Huang ..... D13/110  
D721,328 S \* 1/2015 Freeman et al. .... D13/110

\* cited by examiner

*Primary Examiner* — Rosemary K Tarcza

(74) *Attorney, Agent, or Firm* — Rosenberg, Klein & Lee

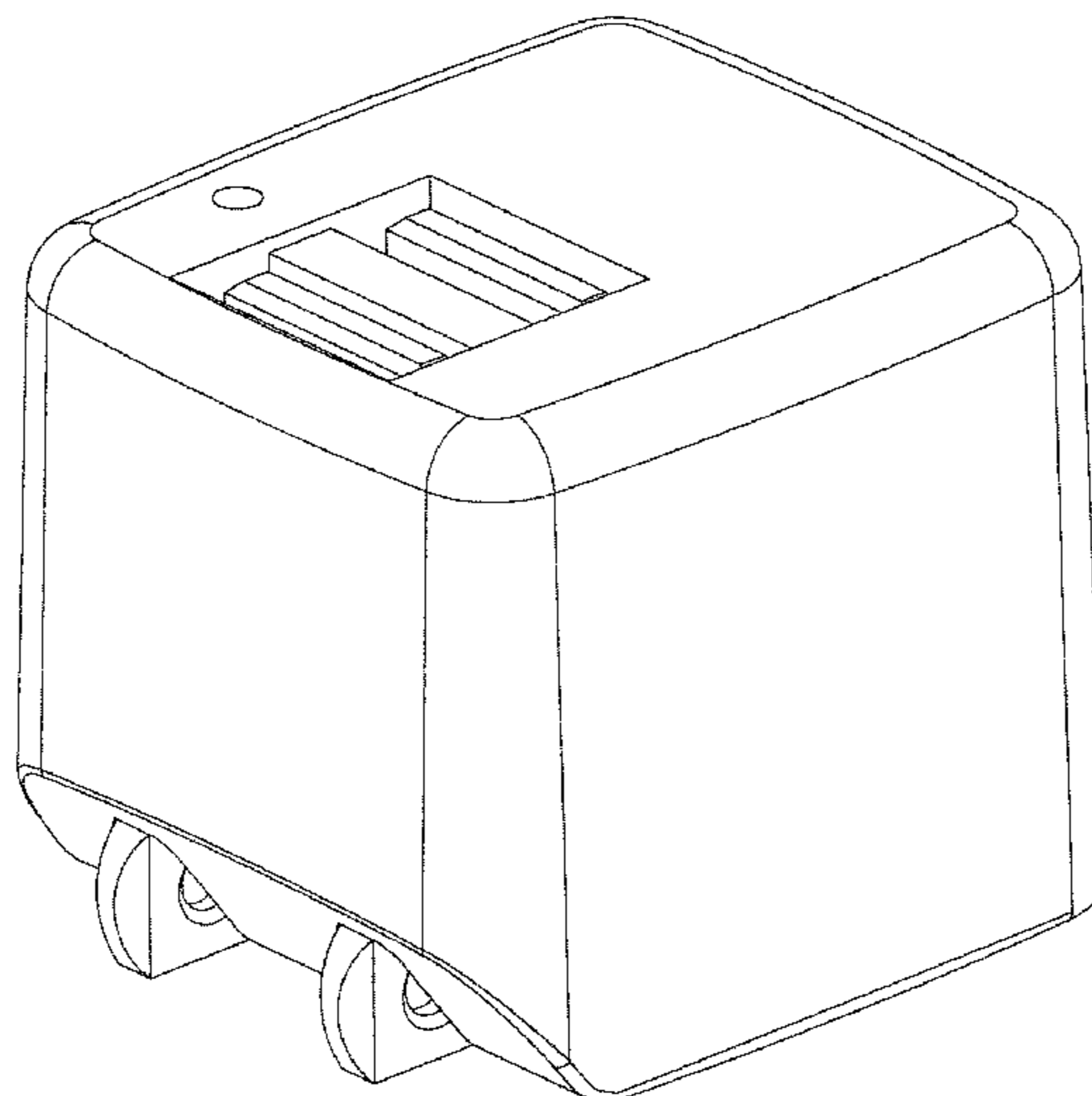
(57) **CLAIM**

The ornamental design for a USB charger, as shown and described.

**DESCRIPTION**

FIG. 1 is a front, top and right side elevational view of a USB charger figure showing my new design;  
FIG. 2 is a top plan view thereof;  
FIG. 3 is a bottom plan view thereof;  
FIG. 4 is a left side elevational view thereof;  
FIG. 5 is a right side elevational view thereof;  
FIG. 6 is a front elevational view thereof;  
FIG. 7 is a rear elevational view thereof; and,  
FIG. 8 is a perspective reference view when a plug is pulled from the base.

**1 Claim, 8 Drawing Sheets**



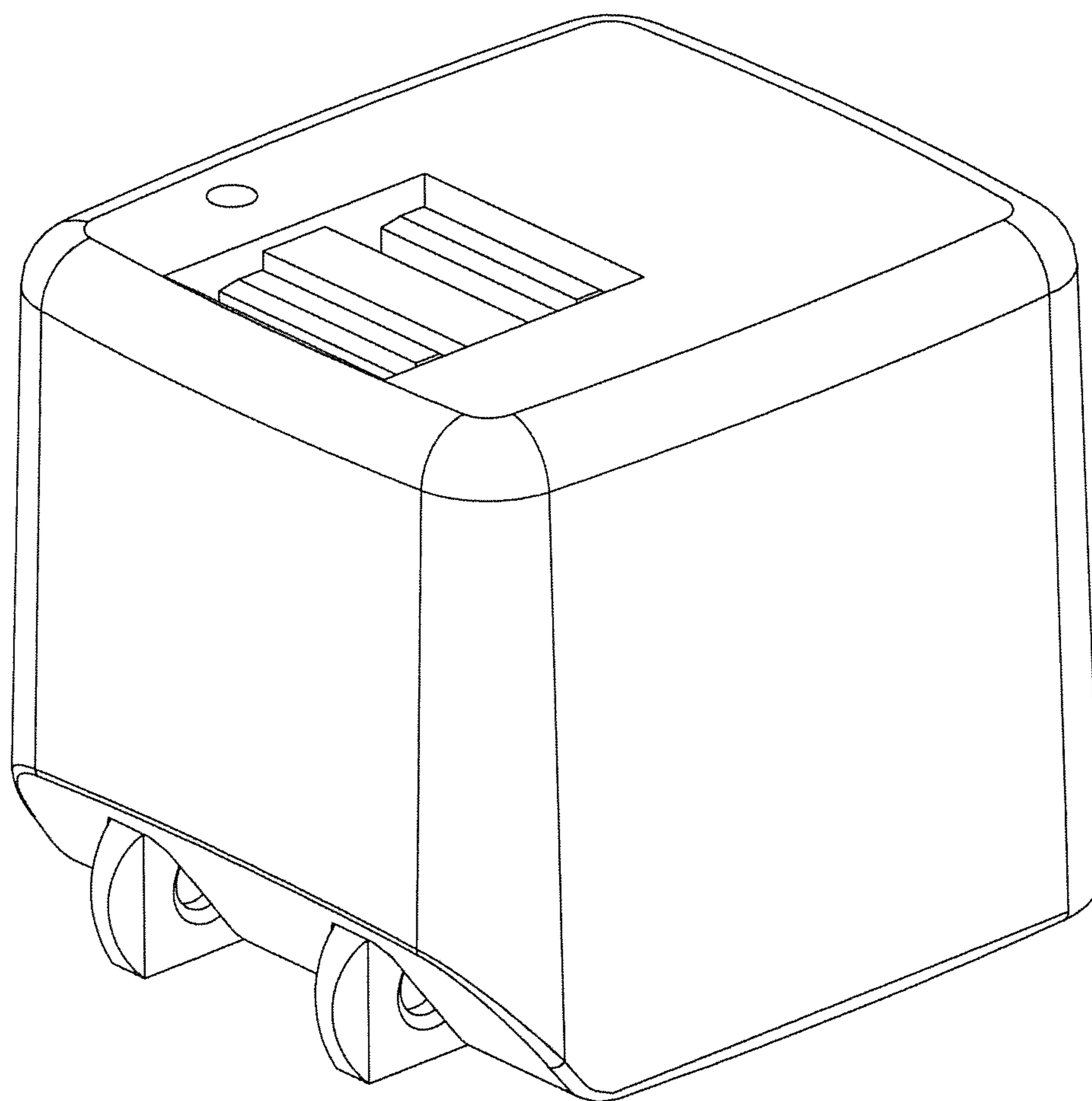


FIG. 1

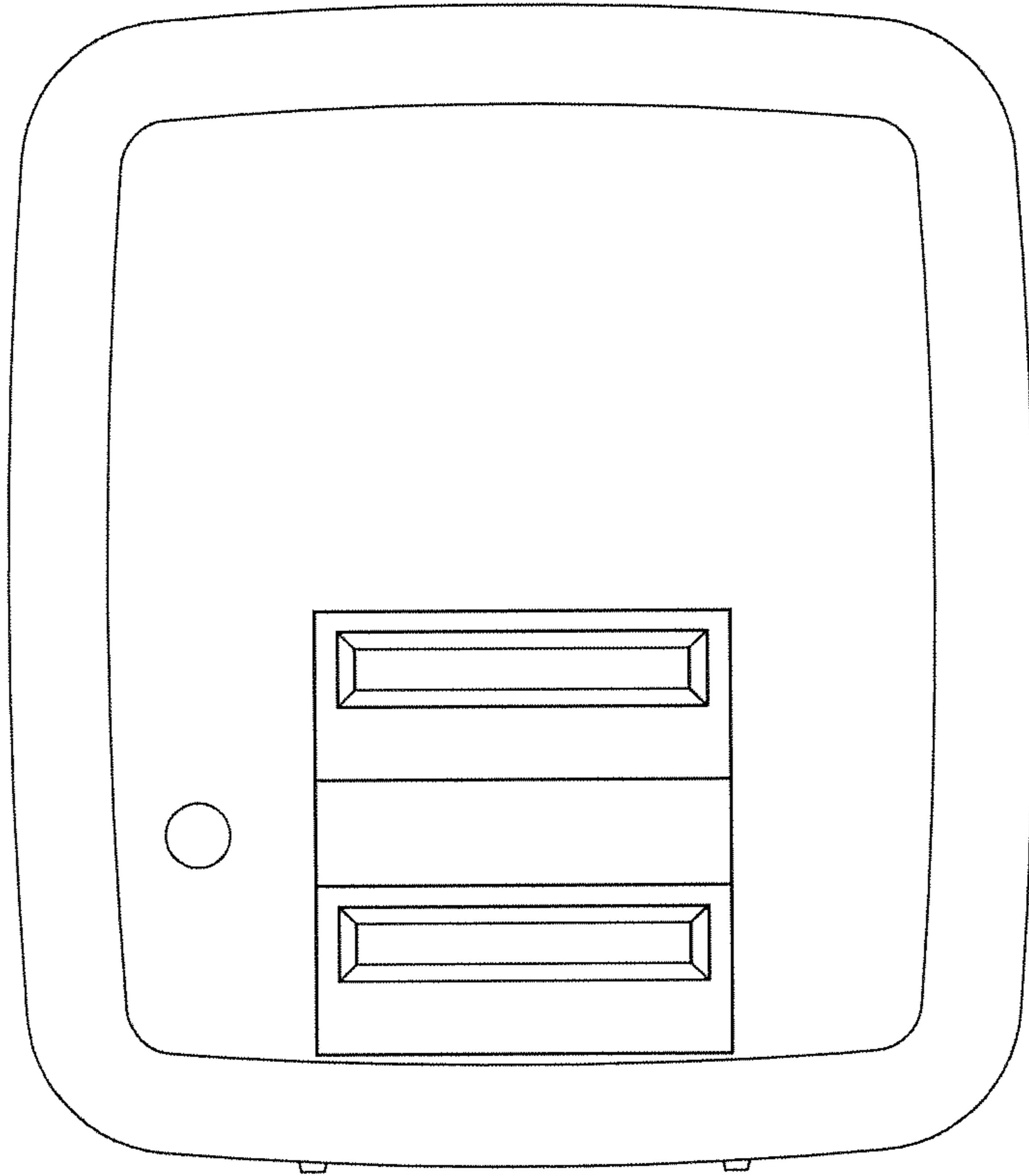


FIG. 2

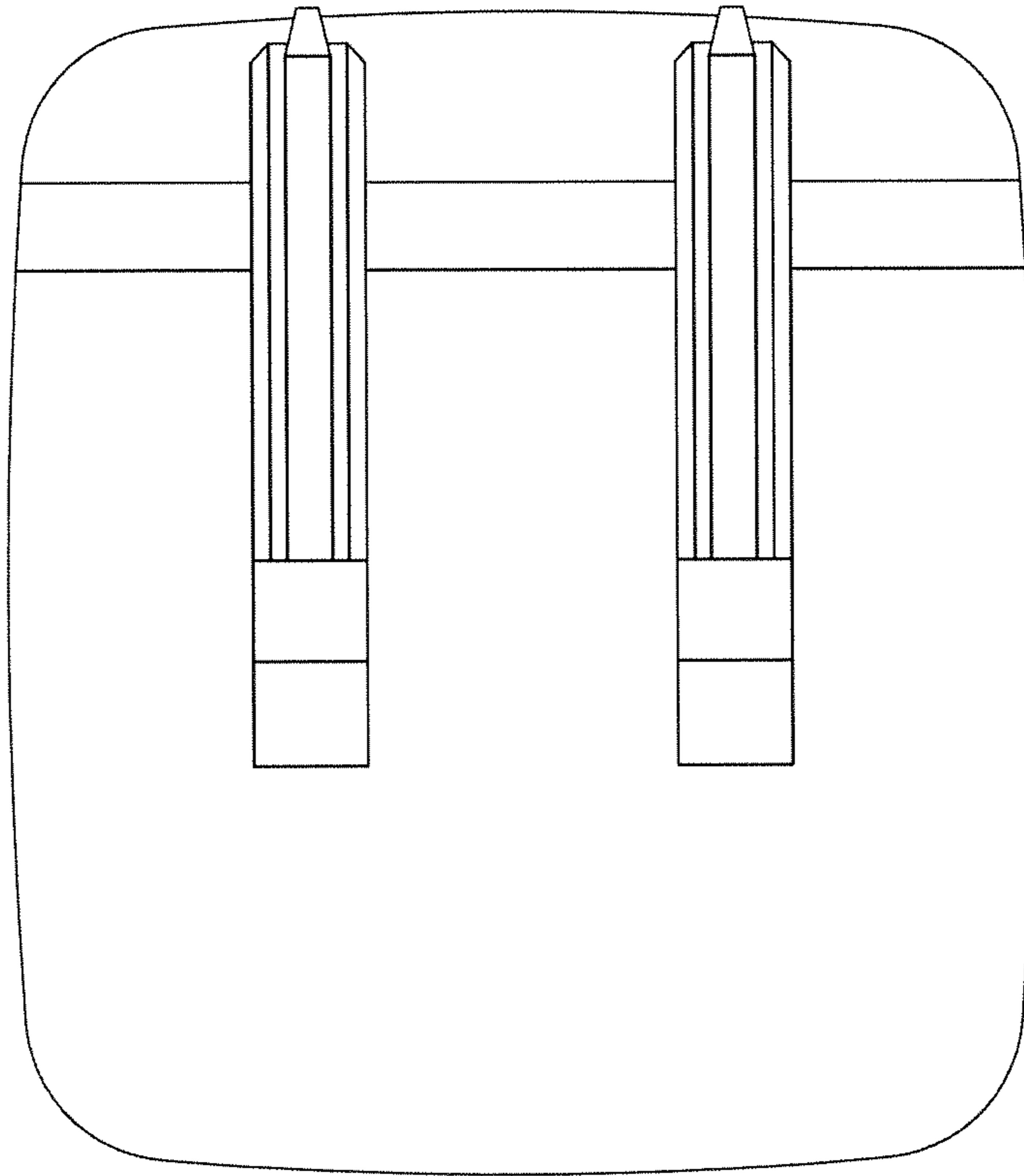


FIG. 3

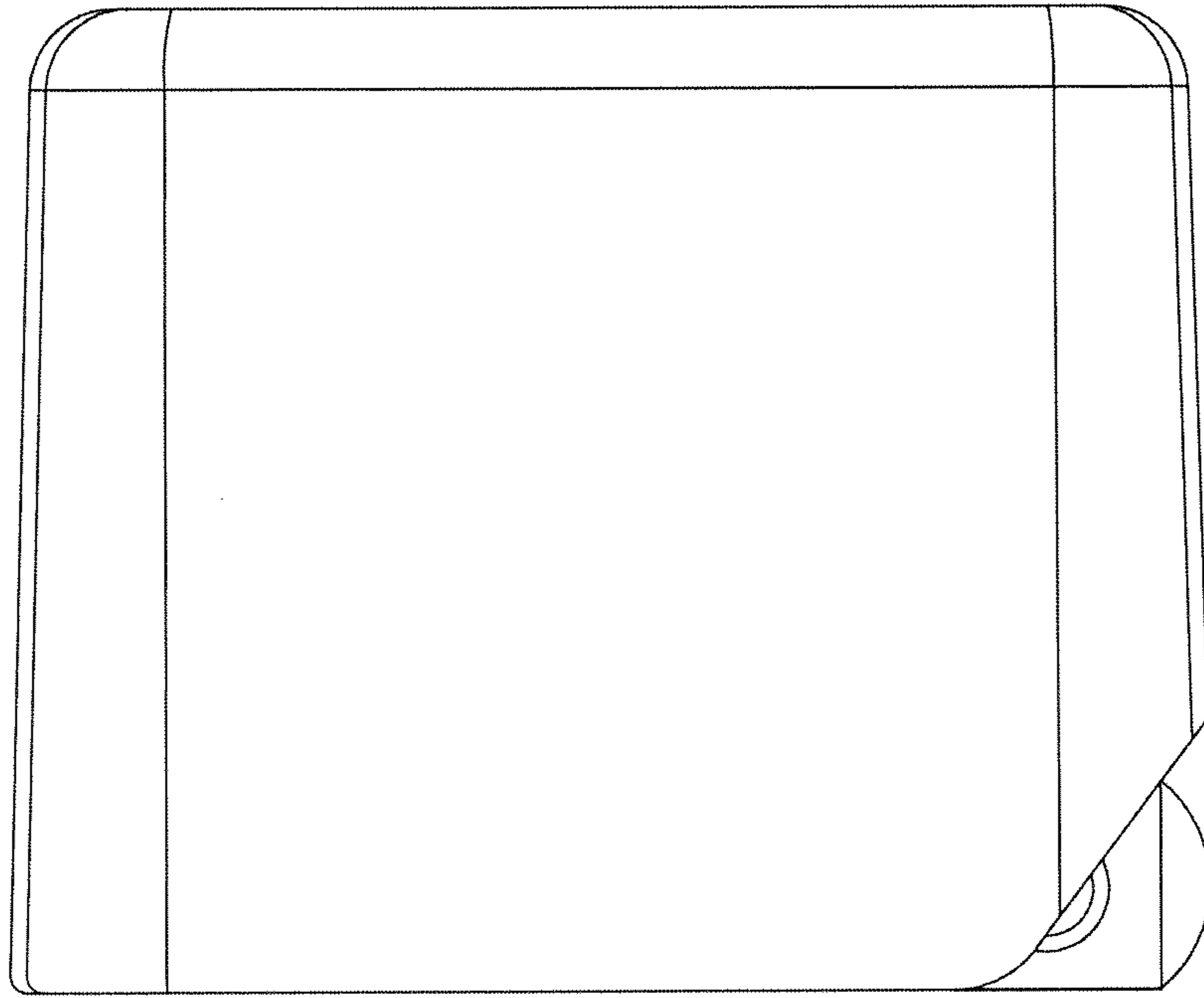


FIG. 4

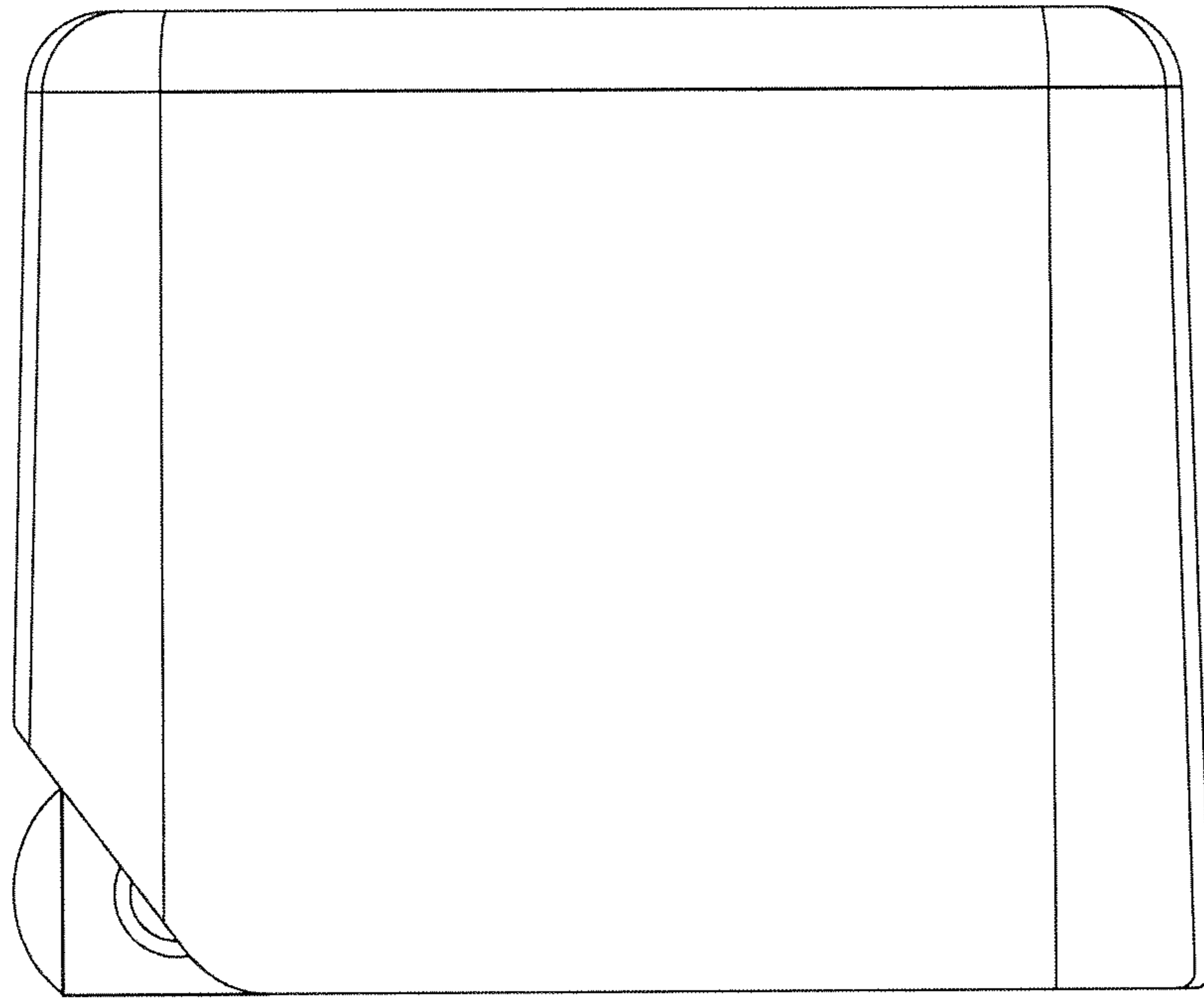


FIG. 5

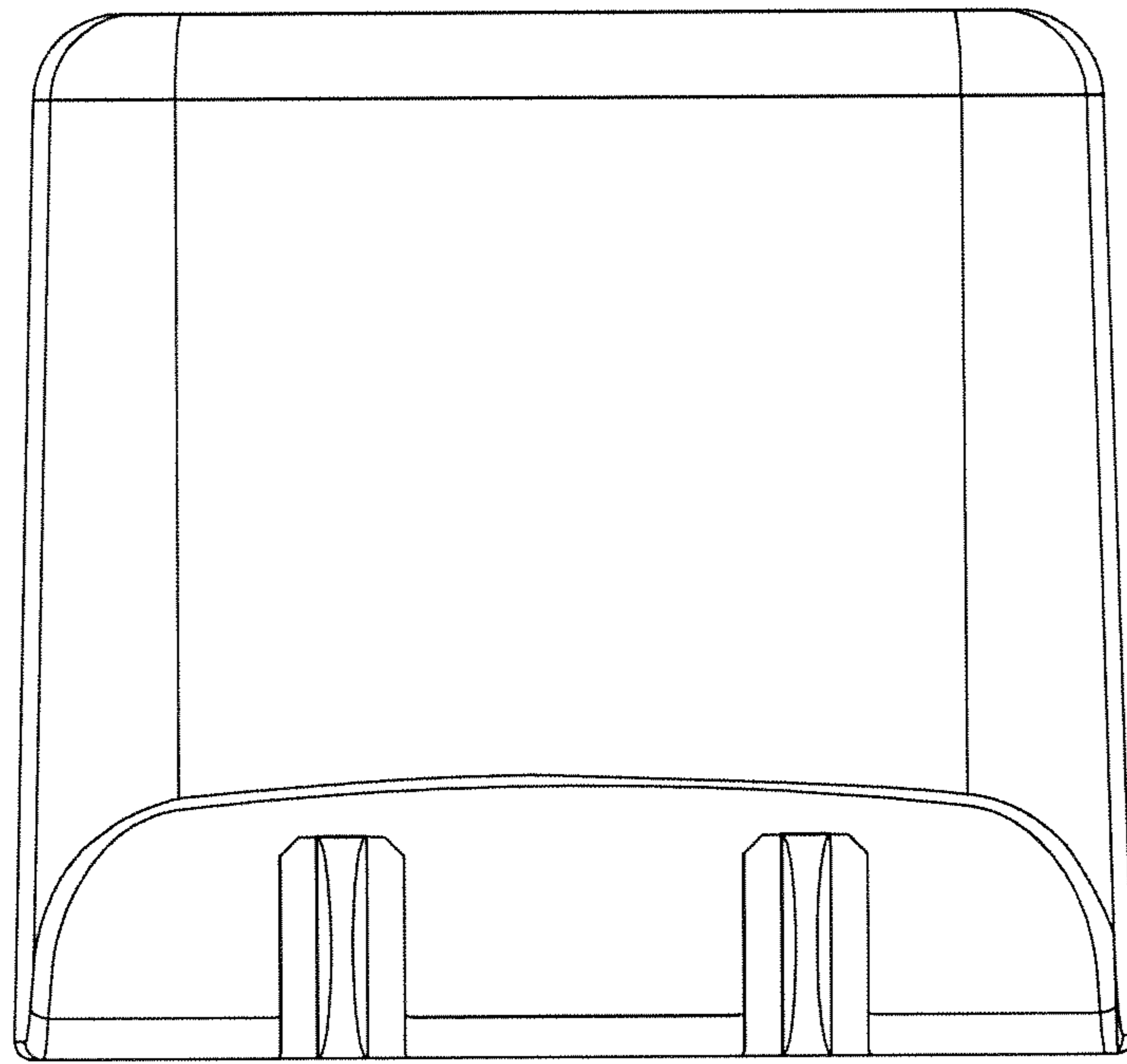


FIG. 6

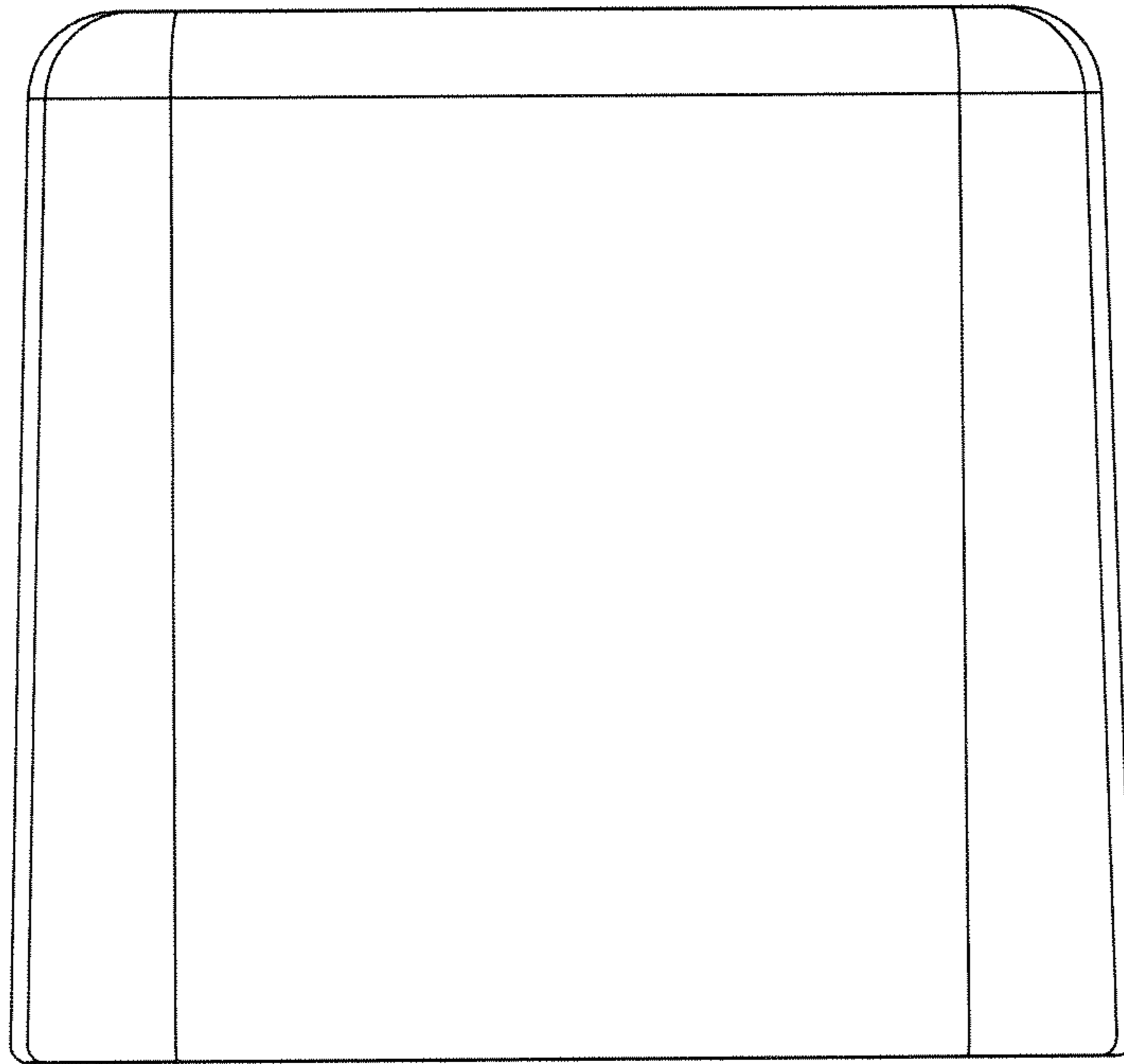


FIG. 7



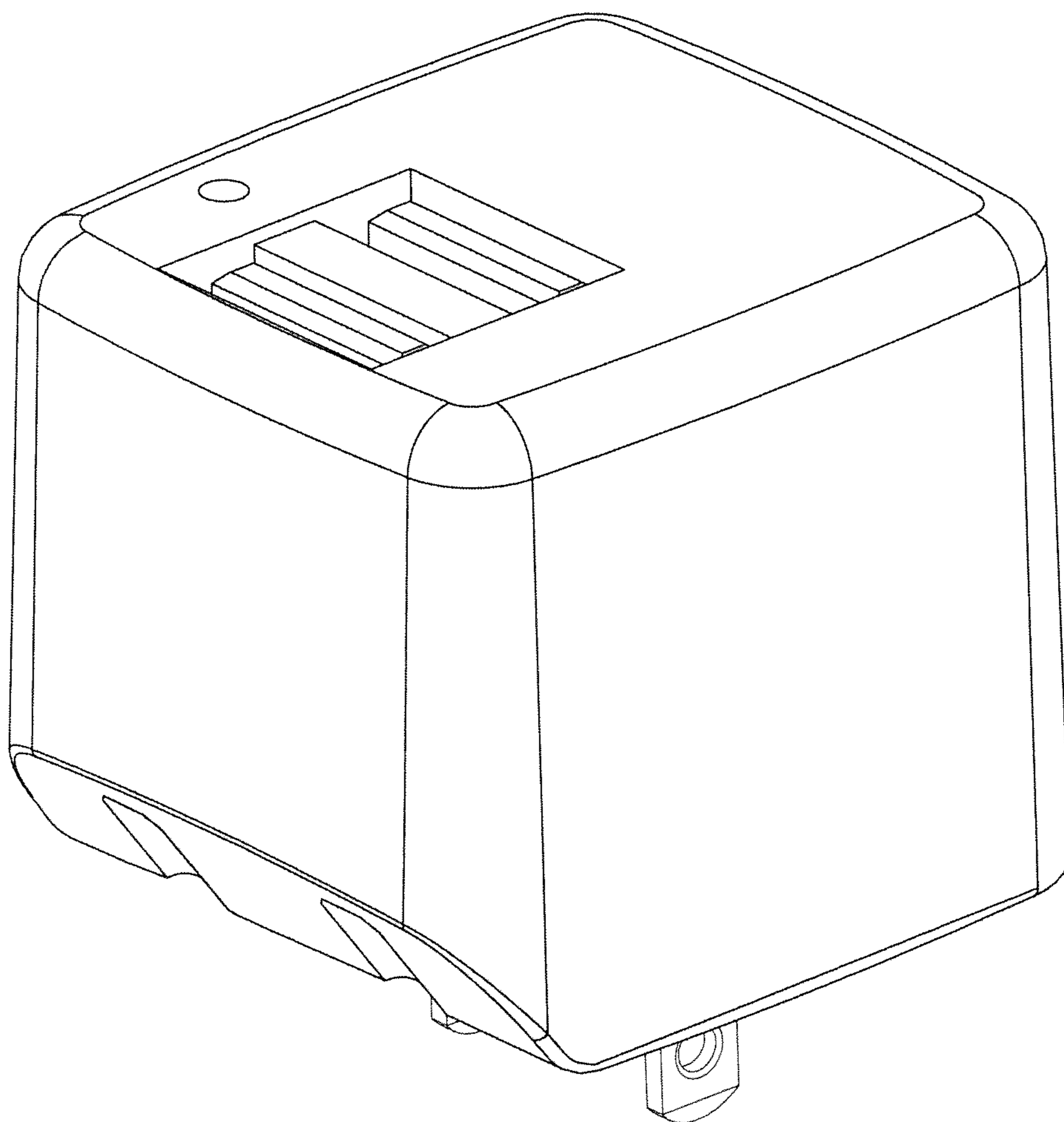


FIG. 8