



US00D735121S

(12) **United States Design Patent**
Sareen

(10) **Patent No.:** **US D735,121 S**
(45) **Date of Patent:** **** Jul. 28, 2015**

- (54) **TIRE TREAD**
- (71) Applicant: **Gajendra Singh Sareen**, Singapore (SG)
- (72) Inventor: **Gajendra Singh Sareen**, Singapore (SG)
- (73) Assignee: **OMNI UNITED (S) PTE LTD.**, Singapore (SG)
- (**) Term: **14 Years**
- (21) Appl. No.: **29/421,949**
- (22) Filed: **Oct. 31, 2012**
- (51) **LOC (10) Cl.** **12-15**
- (52) **U.S. Cl.**
USPC **D12/600**
- (58) **Field of Classification Search**
USPC D12/600, 601, 602, 603, 605, 900, 901
CPC B60C 11/03; B60C 11/0306
See application file for complete search history.

D627,712 S	11/2010	Cole et al.	
D642,975 S *	8/2011	Givens et al. D12/601
D649,110 S	11/2011	Hutz et al.	
D649,508 S	11/2011	Allison et al.	
D651,553 S	1/2012	Knowles et al.	
D658,117 S	4/2012	Cole et al.	
D658,118 S	4/2012	Grote	
D660,223 S	5/2012	Dixon et al.	
D661,642 S	6/2012	Krupa et al.	
D662,463 S	6/2012	Youn	
D662,875 S	7/2012	Xu	

* cited by examiner

Primary Examiner — Robert M Spear
(74) *Attorney, Agent, or Firm* — Steptoe & Johnson LLP

(57) **CLAIM**

We claim the ornamental design for a tire tread, as shown and described.

DESCRIPTION

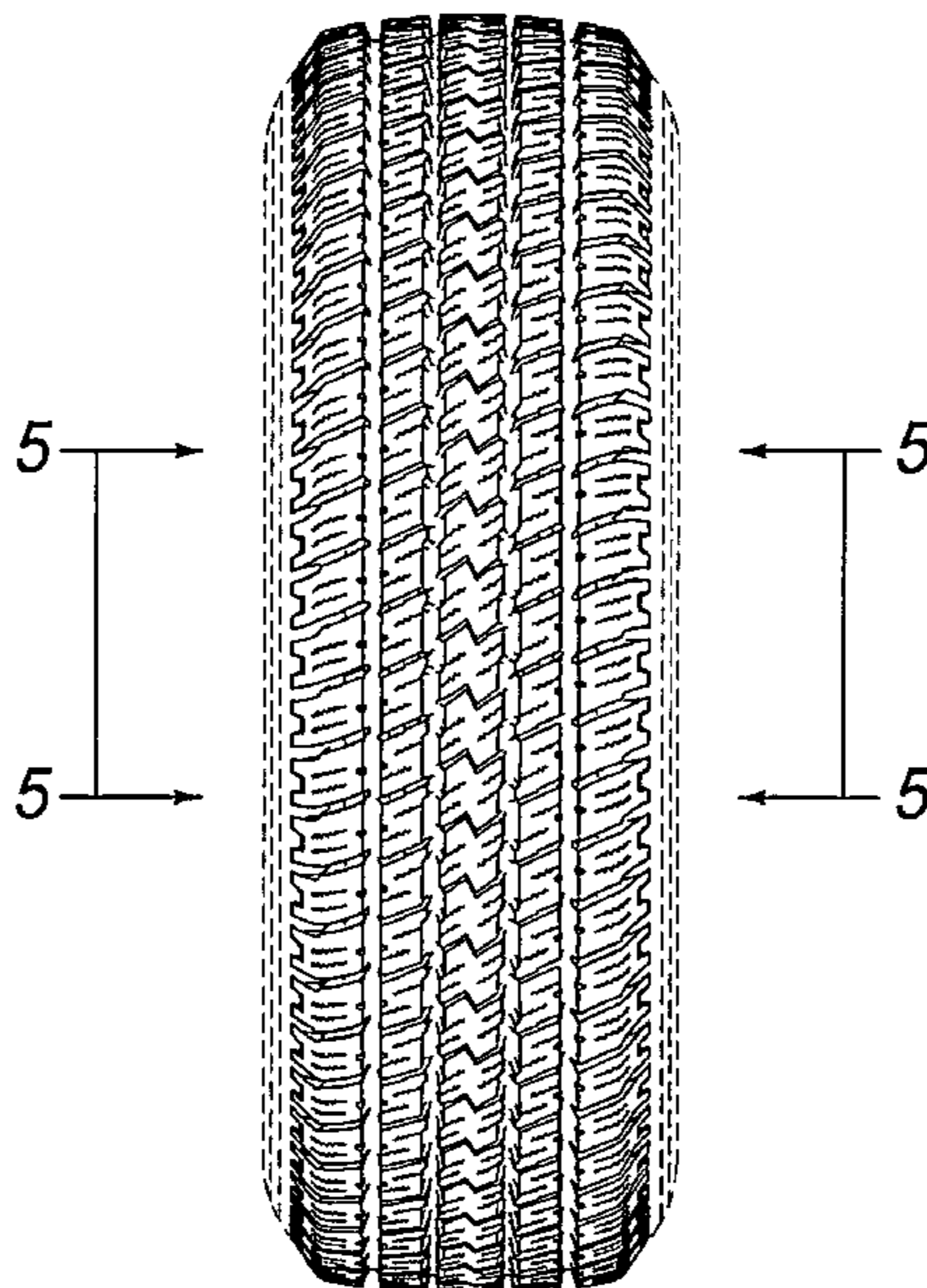
FIG. 1 is a perspective view of a tire tread, showing my new design;
 FIG. 2 is a front view thereof;
 FIG. 3 is a side view thereof;
 FIG. 4 is an enlarged perspective view of a section of the tire tread defined by lines 4-4 in FIG. 1;
 FIG. 5 is an enlarged front view of the section of the tire tread defined by lines 5-5 in FIG. 2; and,
 FIG. 6 is an enlarged side view of a section of the tire tread as defined by lines 6-6 in FIG. 3.
 The broken lines showing the tire in FIGS. 1-6 are included for the purpose of illustrating environment, and form no part of the claimed design.

1 Claim, 6 Drawing Sheets

(56) **References Cited**

U.S. PATENT DOCUMENTS

D331,554 S	*	12/1992	Dixon	D12/601
D384,312 S	*	9/1997	Powell et al.	D12/601
D402,944 S	*	12/1998	Ratliff, Jr.	D12/601
D432,467 S	*	10/2000	Guspodin et al.	D12/601
D451,059 S	*	11/2001	Guspodin et al.	D12/601
D462,654 S	*	9/2002	Nopper et al.	D12/601
D498,456 S		11/2004	Regallis et al.		
D554,056 S	*	10/2007	Allison et al.	D12/601



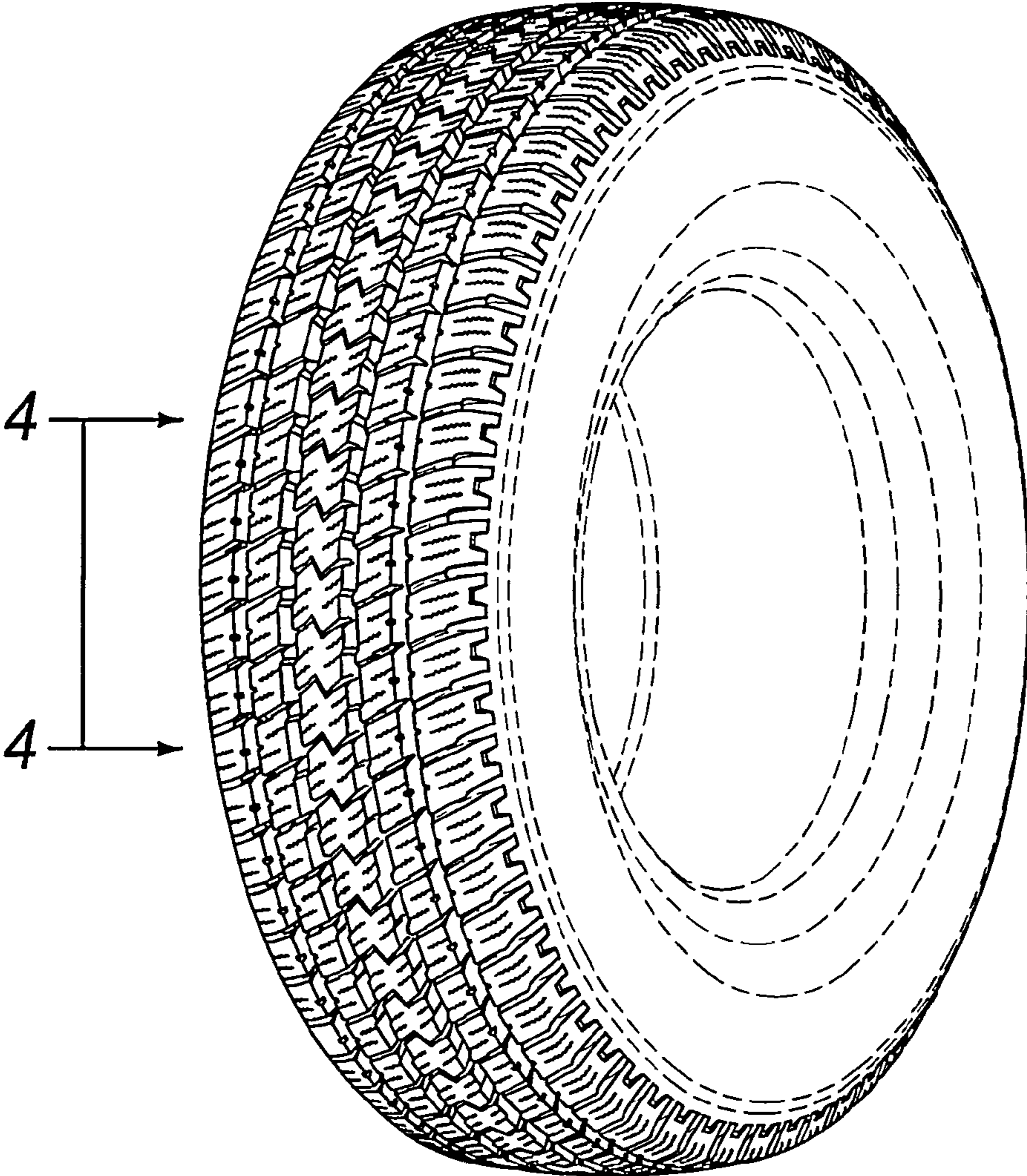


FIG. 1

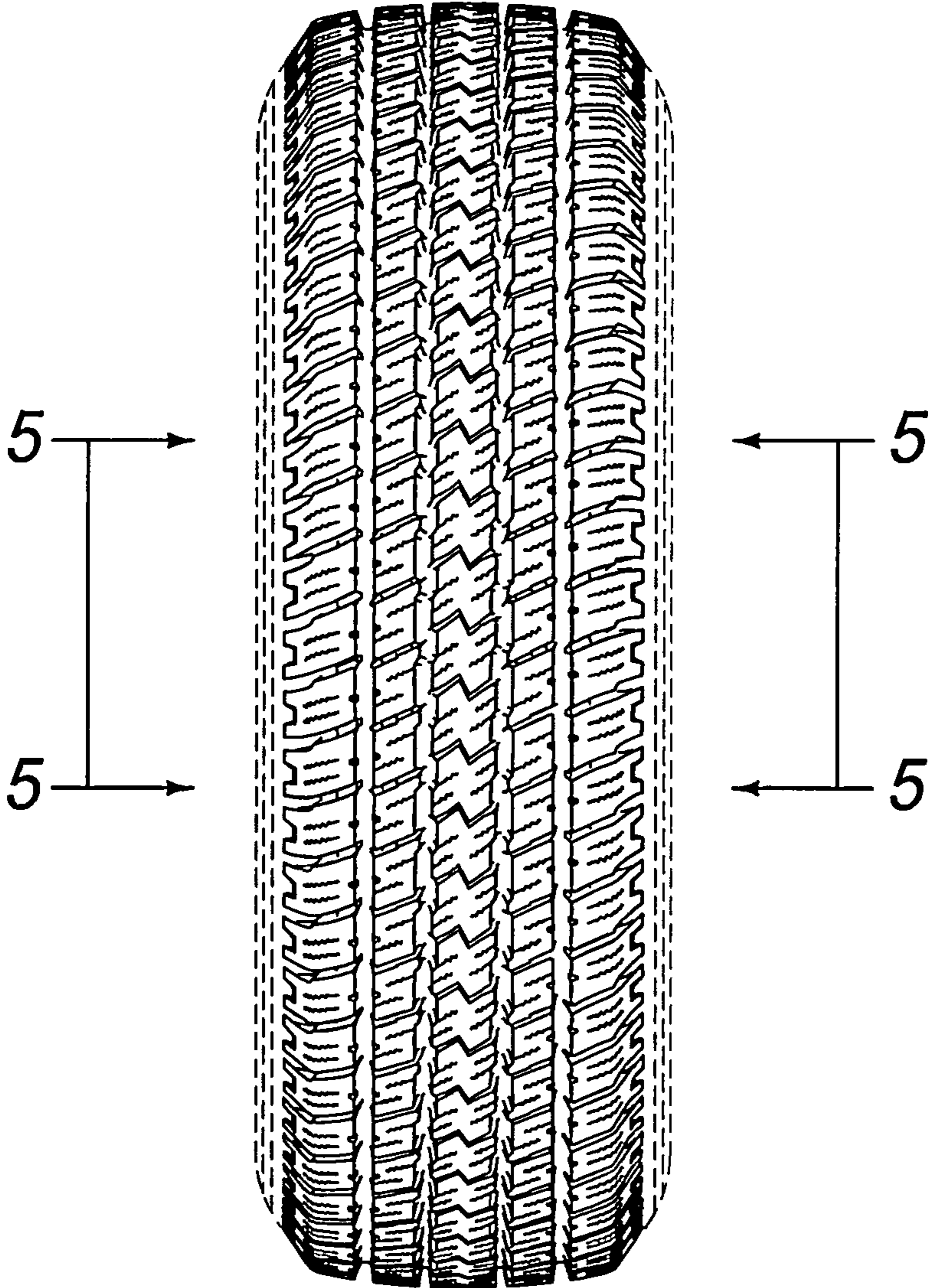


FIG. 2

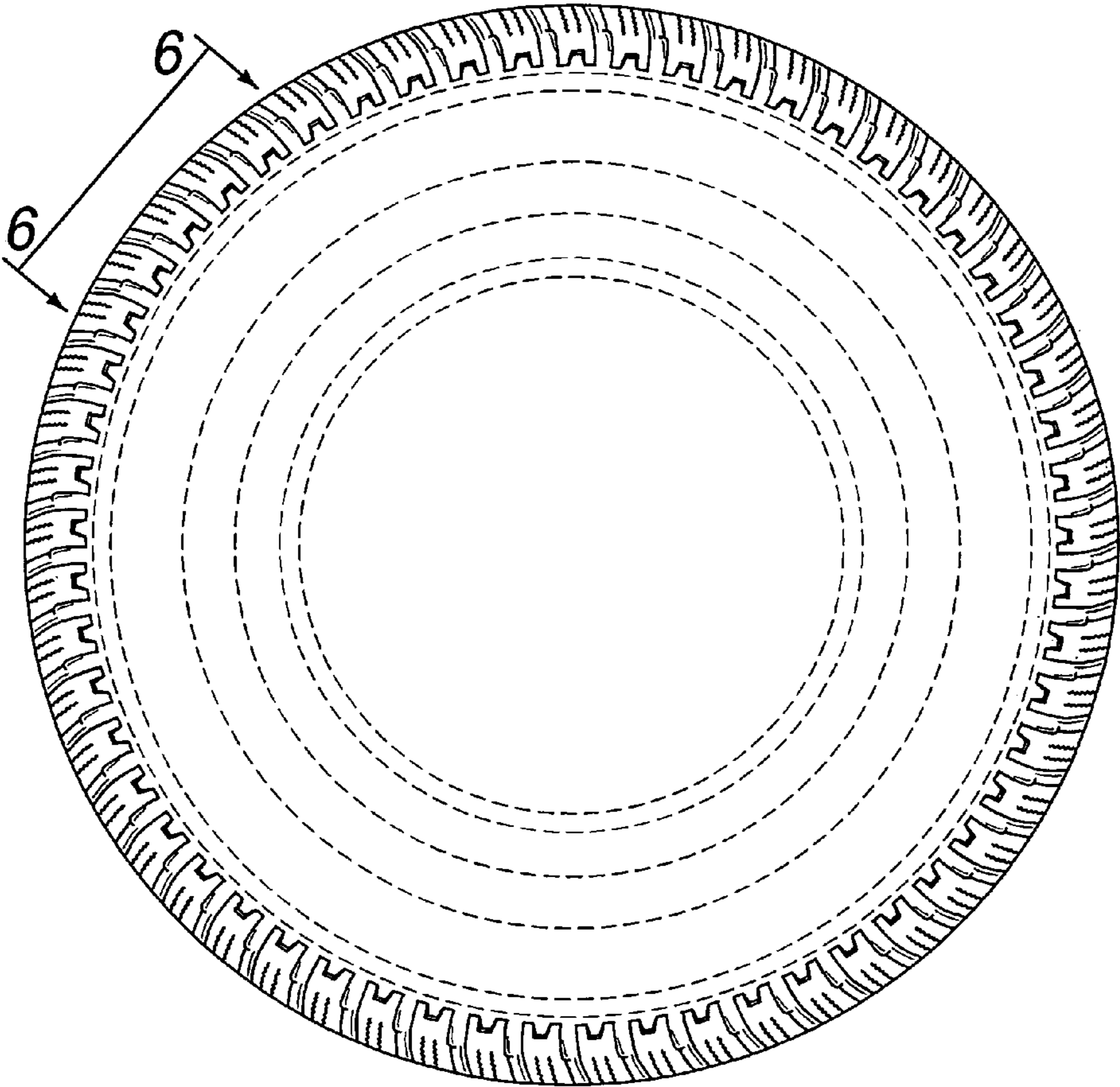


FIG. 3

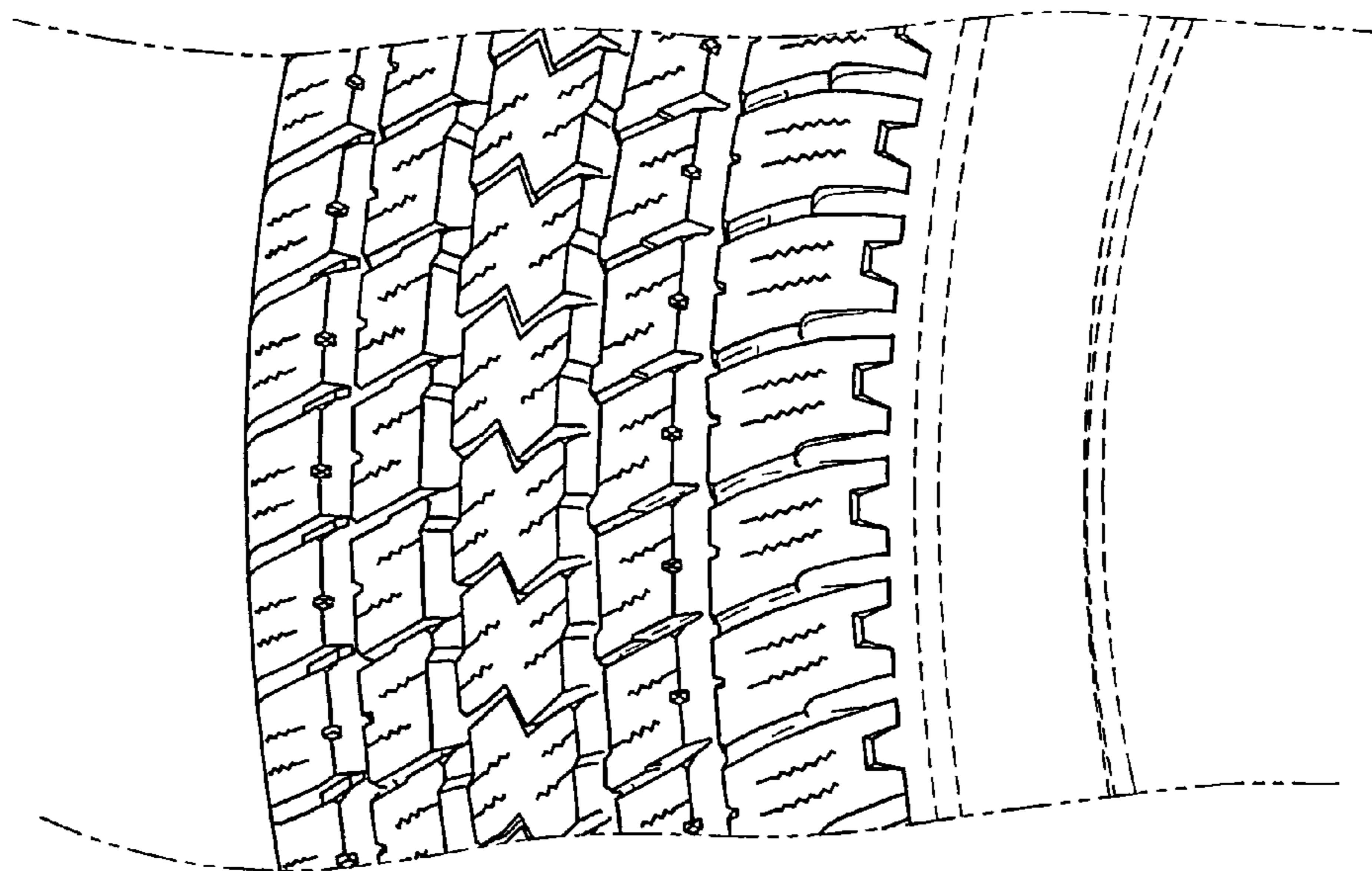


FIG. 4

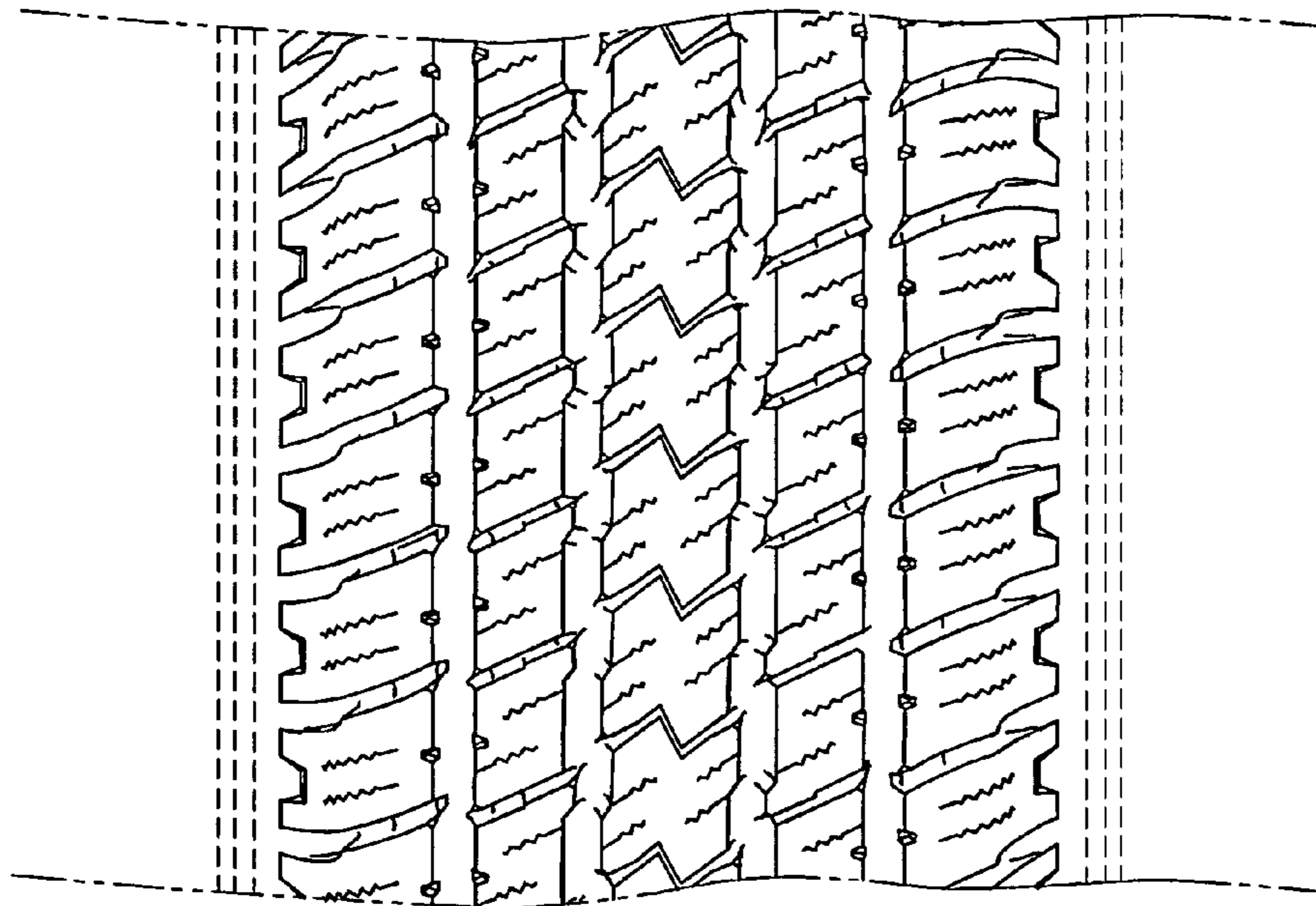


FIG. 5

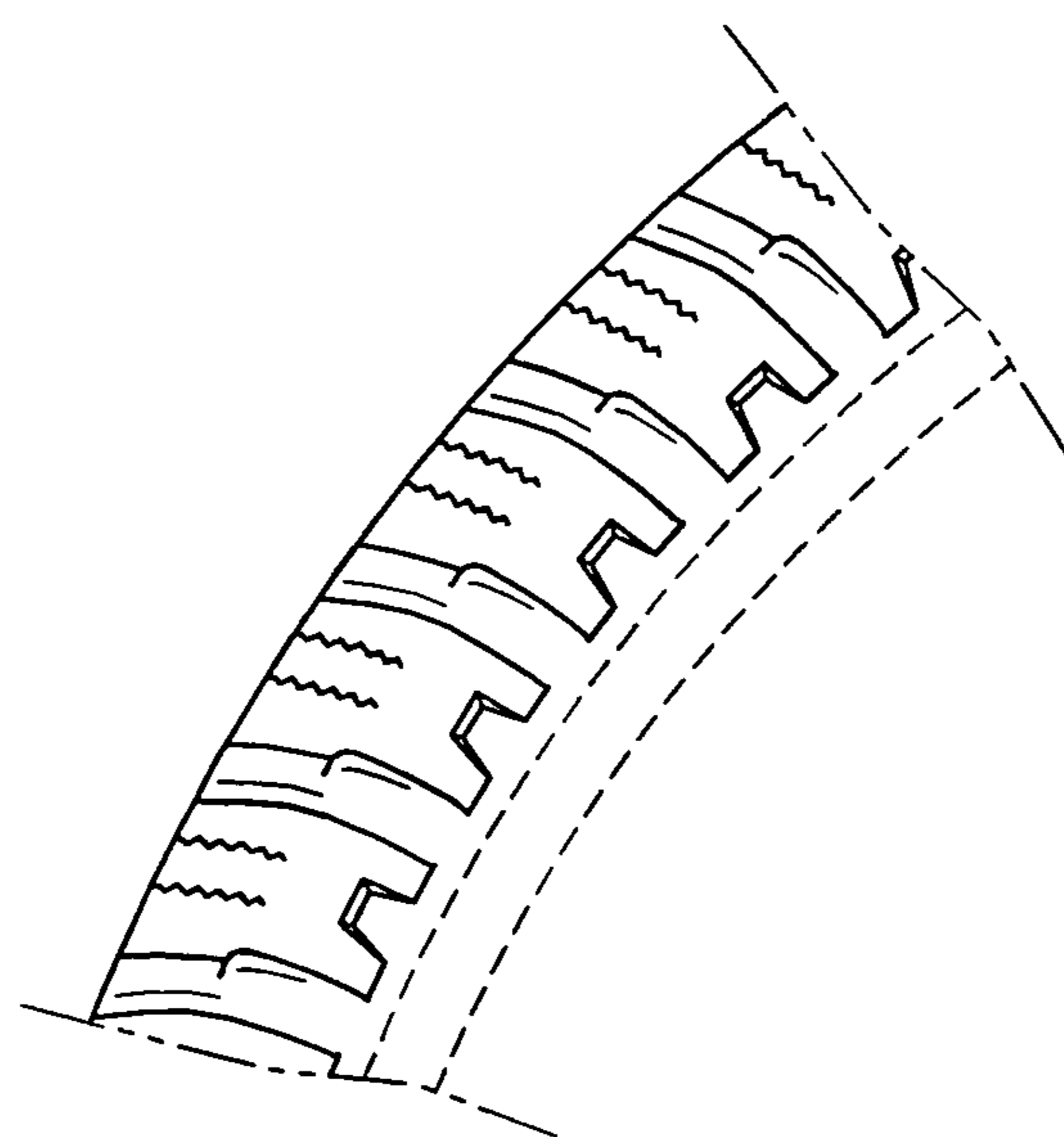


FIG. 6