



US00D735118S

(12) **United States Design Patent**
Dixon et al.

(10) **Patent No.:** **US D735,118 S**
(45) **Date of Patent:** **** Jul. 28, 2015**

- (54) **TIRE**
- (71) Applicant: **The Goodyear Tire & Rubber Company, Akron, OH (US)**
- (72) Inventors: **Max Harold Dixon, Kent, OH (US); Pedro Yap, Silver Lake, OH (US); Jeffrey Leon Severt, Akron, OH (US); Joel Joseph Lazeration, Copley, OH (US)**
- (73) Assignee: **The Goodyear Tire & Rubber Company, Akron, OH (US)**
- (**) Term: **14 Years**
- (21) Appl. No.: **29/462,276**
- (22) Filed: **Aug. 1, 2013**
- (51) **LOC (10) Cl.** **12-15**
- (52) **U.S. Cl.**
USPC **D12/578**
- (58) **Field of Classification Search**
USPC D12/533-567; 152/209.1-209.28, 455, 152/158, 192
CPC B60C 1/00
See application file for complete search history.

D455,117 S	4/2002	Guspodin et al.	D12/579
D455,681 S	4/2002	Guspodin et al.	D12/147
D456,766 S	5/2002	Warchol et al.	D12/579
D457,486 S	5/2002	Guspodin et al.	D12/579
D492,643 S	7/2004	Robert	D12/579
D549,163 S	8/2007	Maus et al.	D12/579
D593,933 S *	6/2009	Sueishi	D12/536
D627,709 S	11/2010	Harvey et al.	D12/579
D642,114 S *	7/2011	Sugimoto et al.	D12/578
D642,509 S	8/2011	Curtis et al.	D12/579
D648,262 S	11/2011	Hermann et al.	D12/579
D656,085 S	3/2012	Maus et al.	D12/544
D678,831 S *	3/2013	Hermann et al.	D12/579

* cited by examiner

Primary Examiner — George D Kirschbaum
(74) *Attorney, Agent, or Firm* — Richard B. O'Planick

(57) **CLAIM**
The ornamental design for a tire, as shown and described.

DESCRIPTION

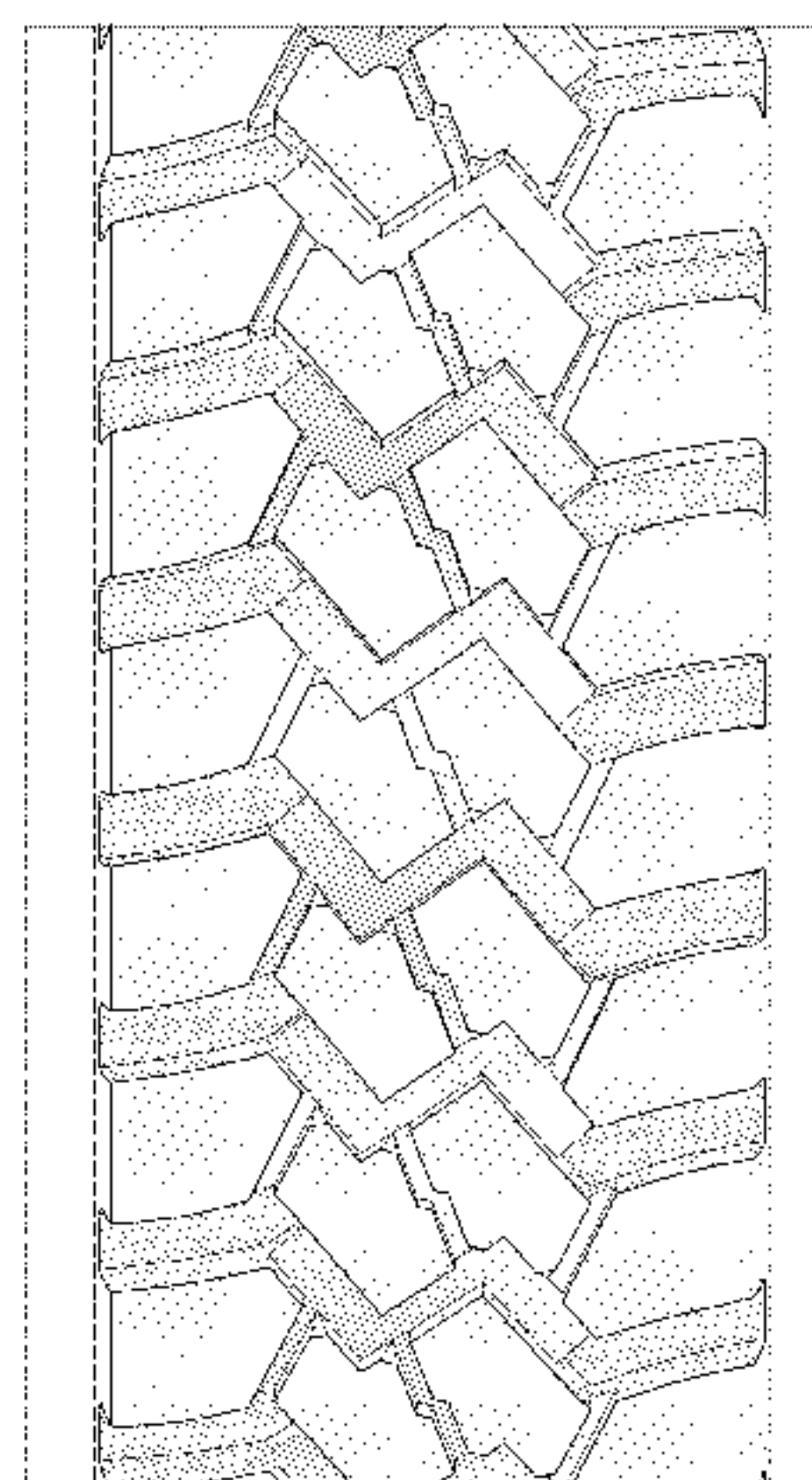
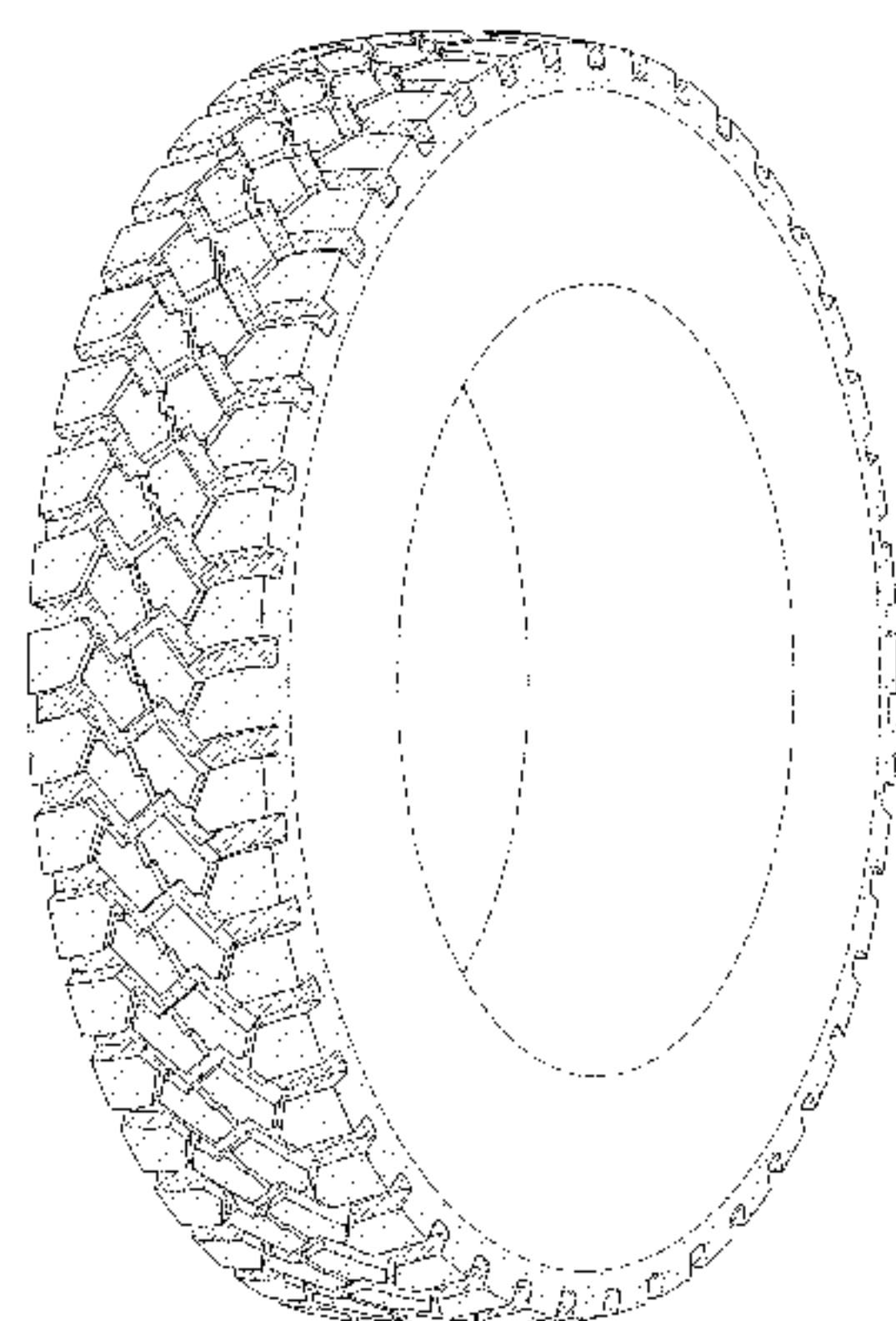
FIG. 1 is a perspective view of a tire showing our new design, it being understood that the pattern repeats uniformly throughout the circumference of the tread;
 FIG. 2 is a front elevational view thereof;
 FIG. 3 is a right side elevational view thereof; the opposite side elevational view being identical thereto;
 FIG. 4 is an enlarged fragmentary front elevational view thereof;
 FIG. 5 is a perspective view of a second embodiment of a tire showing our new design, it being understood that the pattern repeats uniformly throughout the circumference of the tread and that the opposite side view is a minor image thereof; and,
 FIG. 6 is a front elevational view of a second embodiment, it being understood that an enlarged fragmentary view thereof would be substantially identical to that shown in FIG. 4, with the exception of the inclusion of the sidewall in solid lines.
 In the drawings, the broken lines showing of the sidewall, inner bead and the peripheral boundary between the tire tread and the sidewall in FIGS. 1 through 4 depict environmental subject matter and form no part of the claimed design.

1 Claim, 6 Drawing Sheets

(56) **References Cited**

U.S. PATENT DOCUMENTS

D112,993 S *	1/1939	Hardeman	D12/571
D340,436 S *	10/1993	Baus	D12/596
D400,479 S	11/1998	Baus	D12/147
D412,302 S	7/1999	Rayman et al.	D12/146
D420,630 S	2/2000	De Coninck et al.	D12/147
D430,834 S	9/2000	Allison	D12/151
D431,214 S	9/2000	Allison	D12/146
D444,106 S	6/2001	Allison et al.	D12/147
D444,432 S	7/2001	Warchol	D12/147
D447,447 S	9/2001	Guspodin et al.	D12/147
D447,987 S	9/2001	Allison	D12/146
D450,273 S	11/2001	Guspodin et al.	D12/147
D453,310 S	2/2002	Allison et al.	D12/147
D453,311 S	2/2002	Guspodin et al.	D12/147



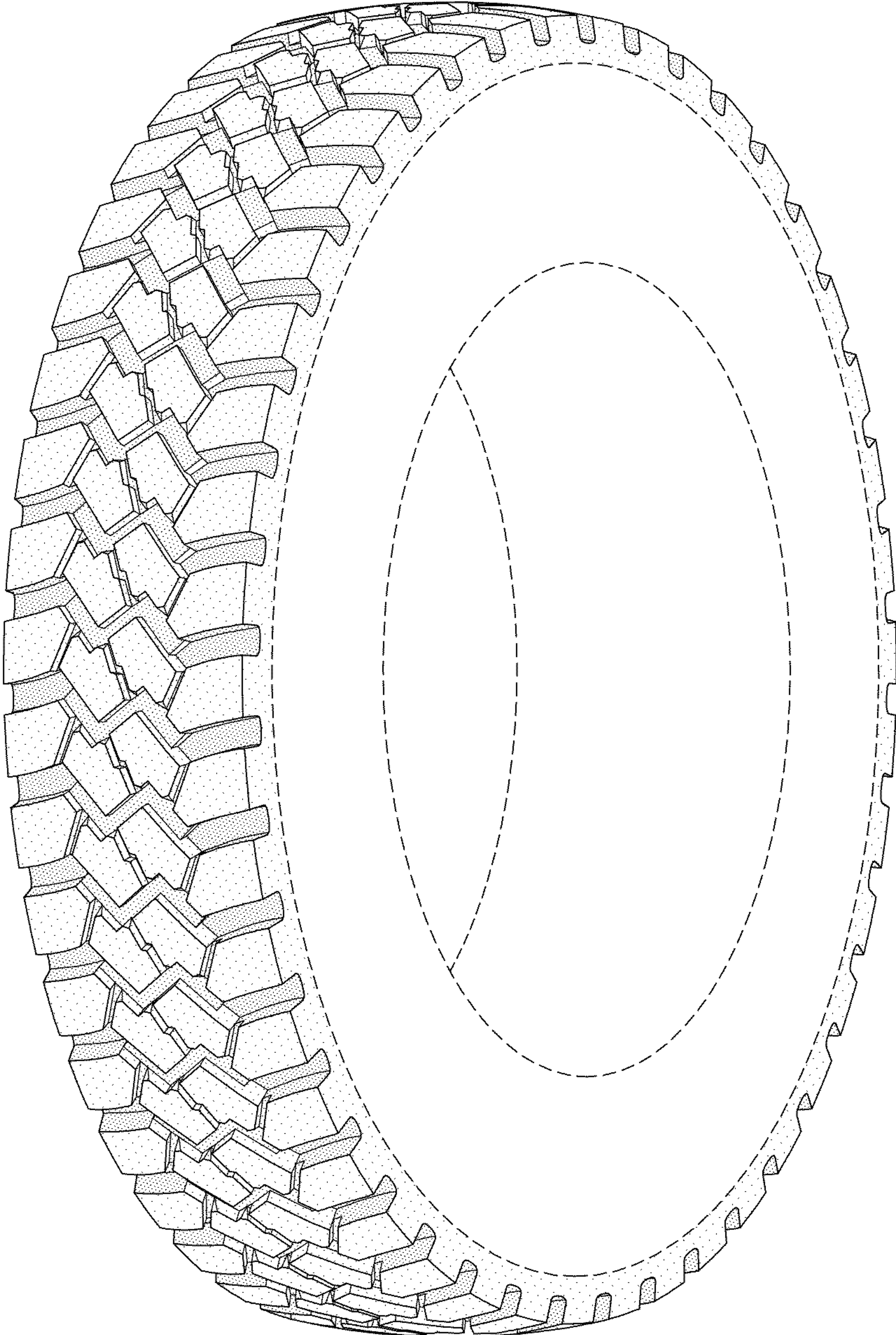


FIG-1

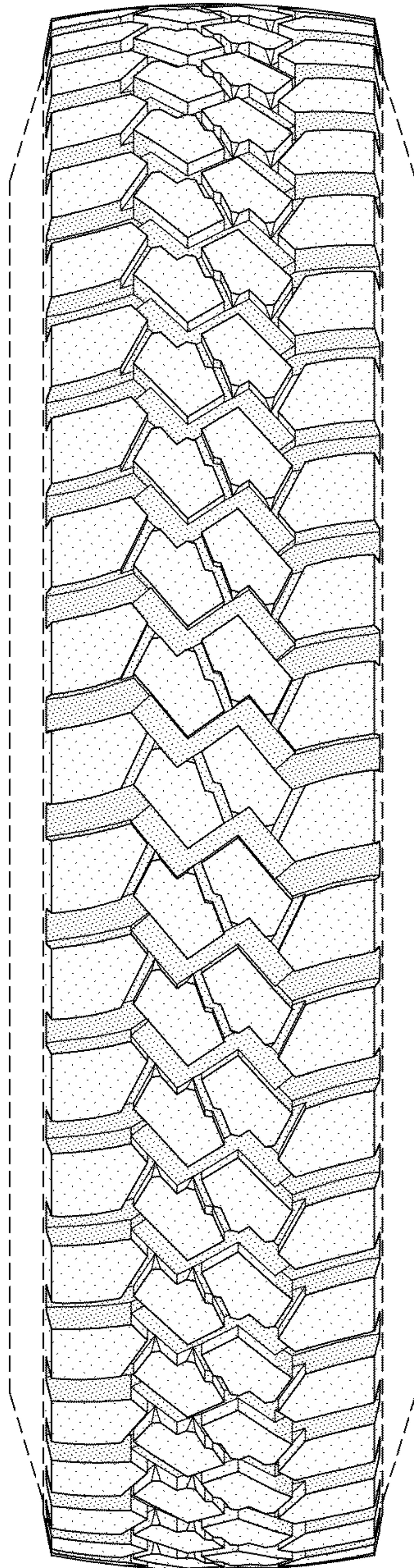


FIG-2

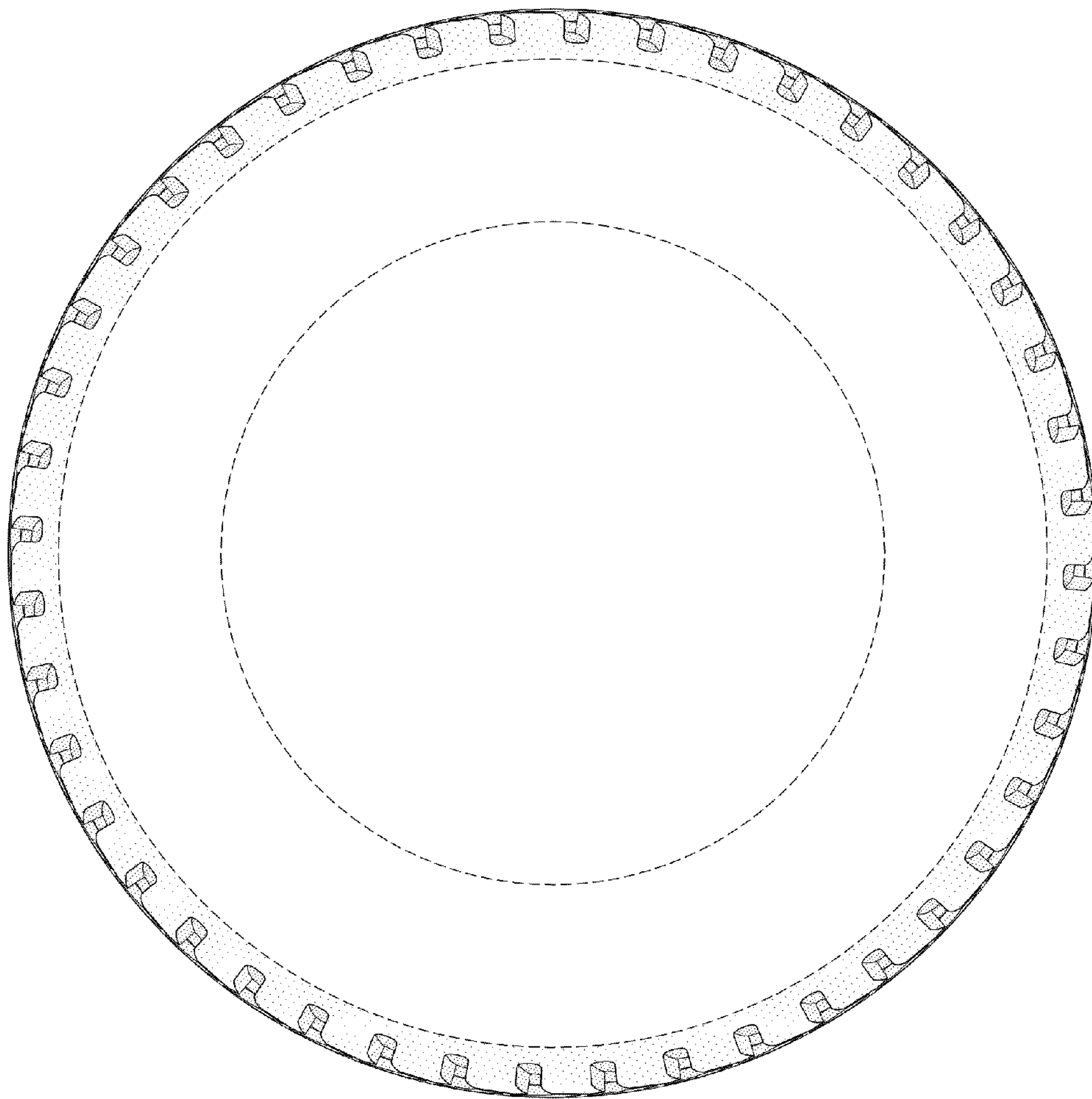


FIG-3

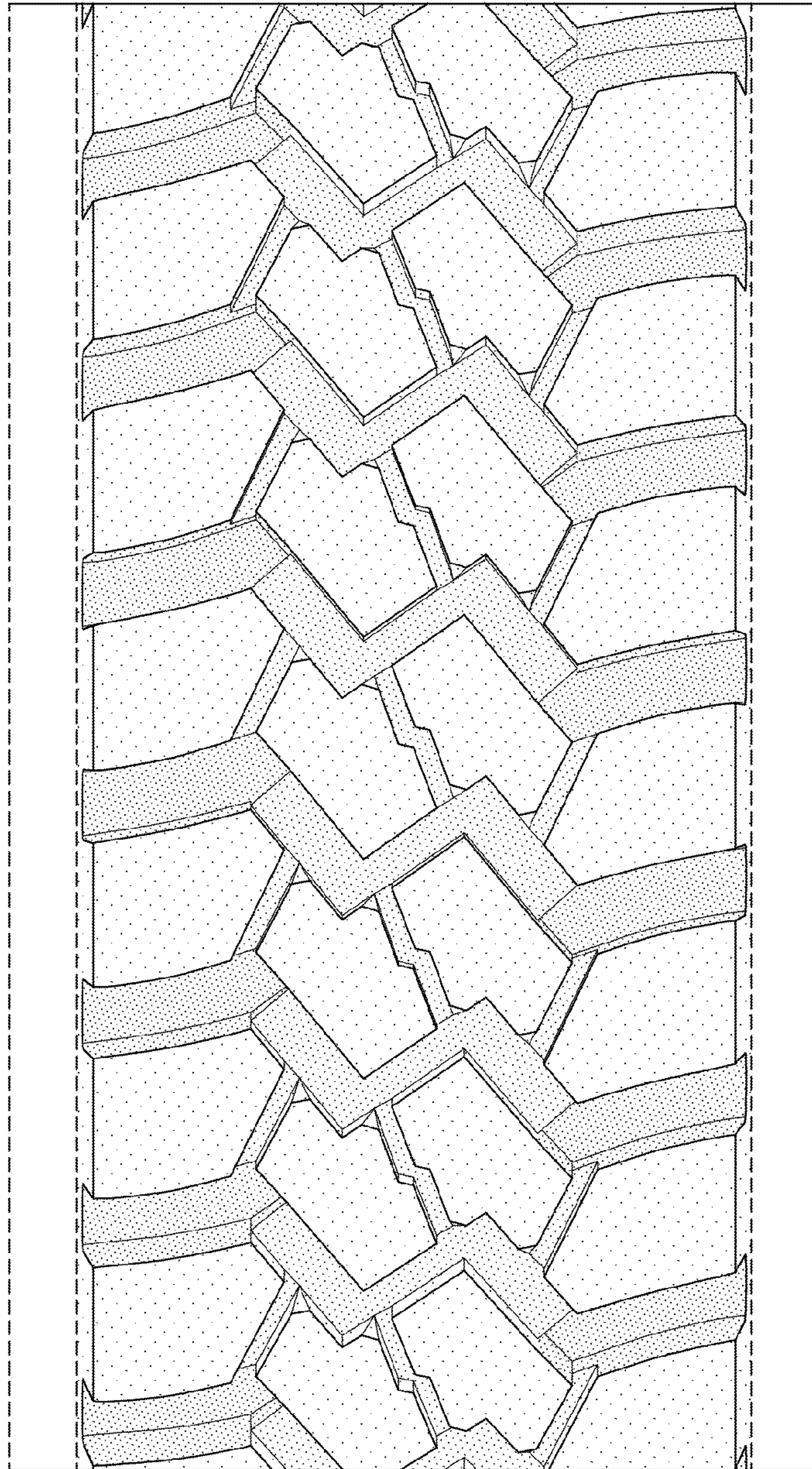


FIG-4

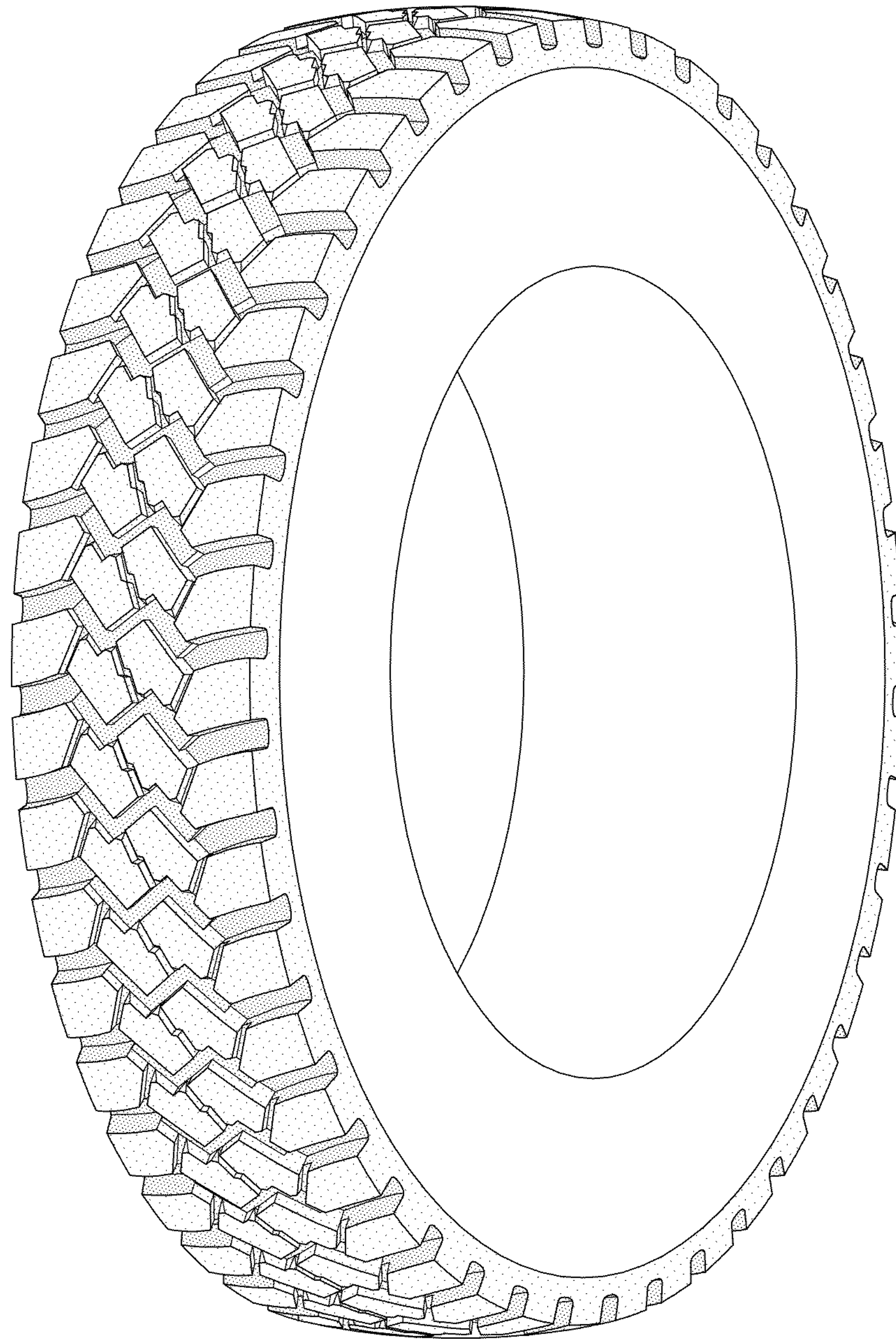


FIG-5

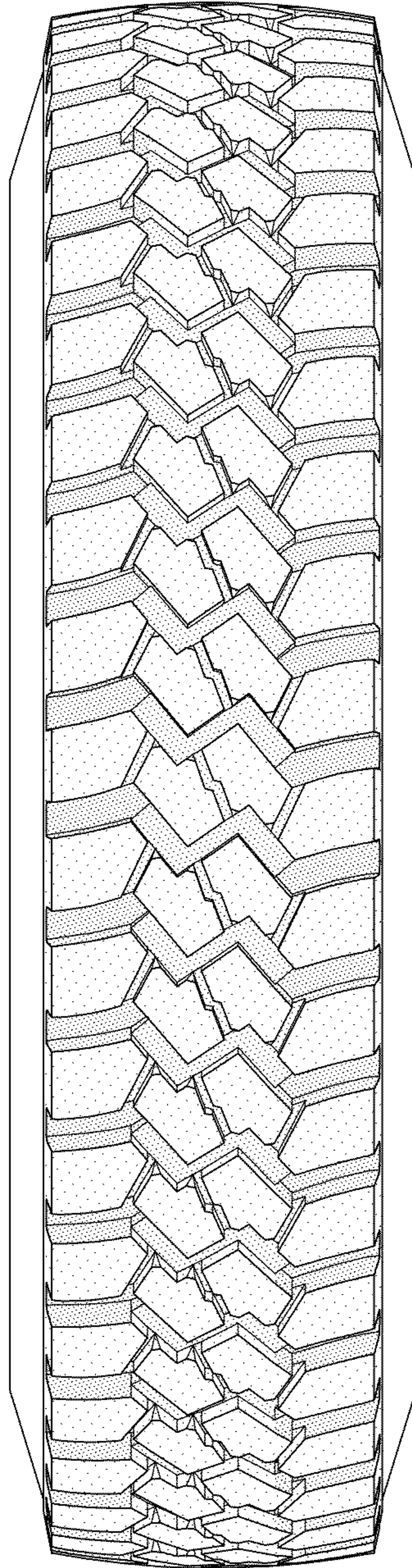


FIG-6