



US00D735113S

(12) **United States Design Patent**  
**Schoeppner et al.**

(10) **Patent No.:** **US D735,113 S**  
(45) **Date of Patent:** **\*\* Jul. 28, 2015**

- (54) **TIRE**
- (71) Applicant: **The Goodyear Tire & Rubber Company, Akron, OH (US)**
- (72) Inventors: **Nicholas Thomas Schoeppner, Cuyahoga Falls, OH (US); Brian David Digman, Sagamore Hills, OH (US); Shannon Joseph Hughes, Rootstown, OH (US)**
- (73) Assignee: **The Goodyear Tire & Rubber Company, Akron, OH (US)**
- (\*\*) Term: **14 Years**
- (21) Appl. No.: **29/444,637**
- (22) Filed: **Feb. 1, 2013**
- (51) **LOC (10) Cl.** ..... **12-15**
- (52) **U.S. Cl.**  
USPC ..... **D12/521**
- (58) **Field of Classification Search**  
USPC ..... D12/505–532  
CPC ..... B60C 11/0304; B60C 11/0302; B60C 11/0306; B60C 11/0309; B60C 11/0318; B60C 11/0311; B60C 11/042; B60C 11/13; B60C 11/00; B60C 11/11; B60C 11/12  
See application file for complete search history.

D546,272 S	7/2007	Shinohara et al. ....	D12/521
D551,156 S	9/2007	Shinohara et al. ....	D12/521
D560,595 S	1/2008	Bindner et al. ....	D12/521
D560,600 S	1/2008	Dixon et al. ....	D12/588
D568,234 S *	5/2008	Shinohara et al. ....	D12/521
D586,724 S	2/2009	Seibert et al. ....	D12/519
D586,726 S *	2/2009	Baumard et al. ....	D12/521
D593,931 S	6/2009	Fontaine et al. ....	D12/521
D597,474 S *	8/2009	Yamakawa et al. ....	D12/519
D606,002 S	12/2009	Yamakawa et al. ....	D12/519
D634,262 S *	3/2011	Kujime .....	D12/521
D638,348 S	5/2011	Harvey et al. ....	D12/521
D639,719 S	6/2011	Harvey et al. ....	D12/521
D639,720 S	6/2011	Harvey et al. ....	D12/521

(Continued)

*Primary Examiner* — Stacia Cadmus  
(74) *Attorney, Agent, or Firm* — Richard B. O’Planick

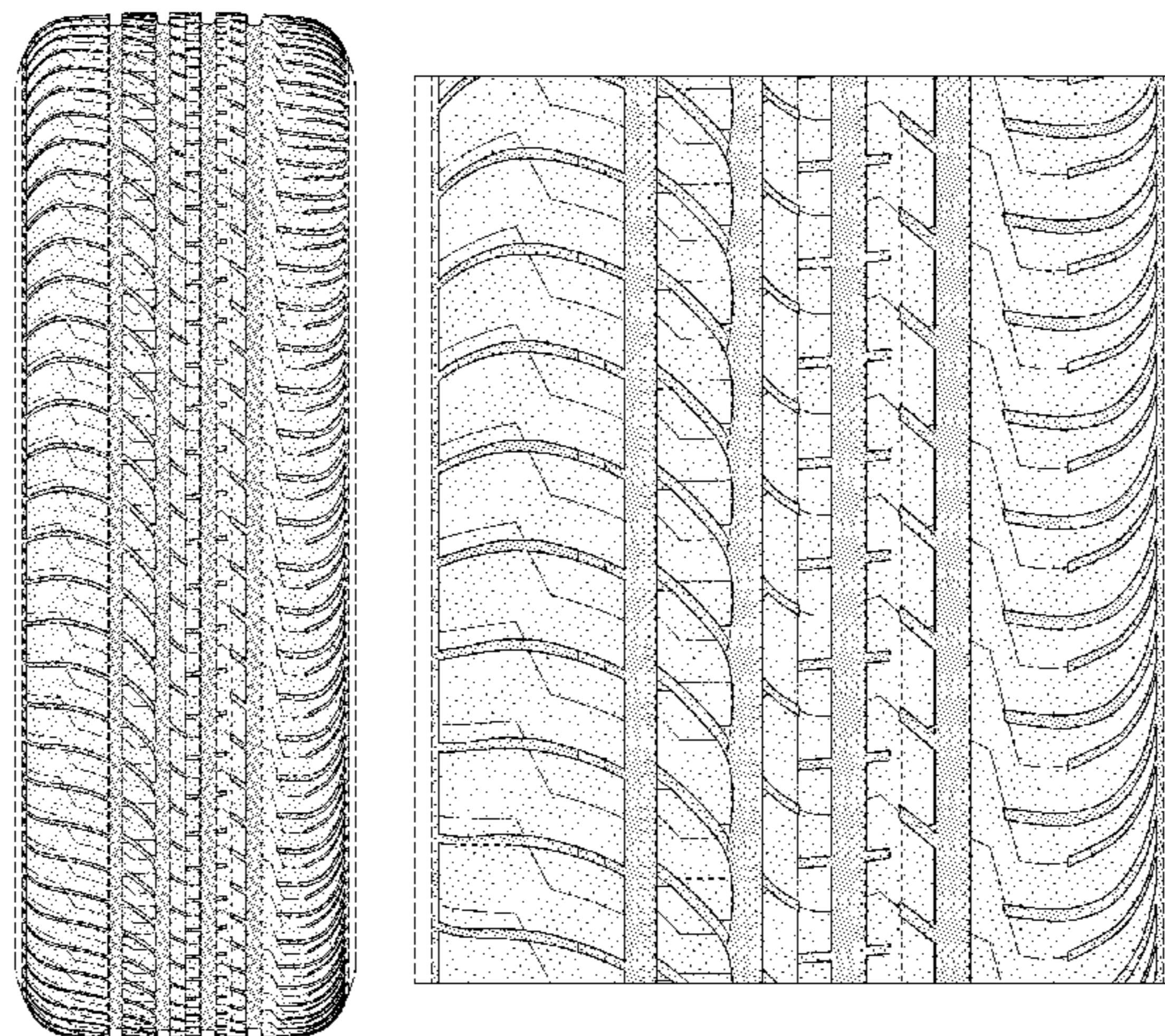
(57) **CLAIM**  
The ornamental design for a tire, as shown and described.

**DESCRIPTION**

FIG. 1 is a perspective view of a tire showing our new design, it being understood that the pattern repeats uniformly throughout the circumference of the tread;  
 FIG. 2 is a front elevational view thereof;  
 FIG. 3 is a right side elevational view thereof;  
 FIG. 4 is a left side elevational view thereof;  
 FIG. 5 is an enlarged fragmentary front elevational view thereof;  
 FIG. 6 is a perspective view of a second embodiment of a tire showing our new design, it being understood that the pattern repeats uniformly throughout the circumference of the tread; and,  
 FIG. 7 is a front elevational view of a second embodiment, it being understood that an enlarged fragmentary view thereof would be substantially identical to that shown in FIG. 5, with the exception of the inclusion of the sidewall in solid lines.  
 In the drawings, the broken lines showing of the sidewall, inner bead and the peripheral boundary between the tire tread and the sidewall in FIGS. 1 through 5 depict environmental subject matter and form no part of the claimed design.

**1 Claim, 7 Drawing Sheets**

- (56) **References Cited**  
U.S. PATENT DOCUMENTS
- D418,785 S \* 1/2000 Lovell et al. .... D12/521
- D444,428 S \* 7/2001 Hutz et al. .... D12/522
- D451,453 S 12/2001 Maxwell et al. .... D12/147
- D453,919 S 2/2002 Mast et al. .... D12/528
- D469,396 S 1/2003 Hutson et al. .... D12/520
- D470,443 S 2/2003 Slingluff et al. .... D12/147
- D490,047 S 5/2004 Heinen et al. .... D12/524
- D512,013 S 11/2005 Delu et al. .... D12/521
- D522,442 S 6/2006 Shirouzu ..... D12/515
- D524,231 S 7/2006 Marazzi et al. .... D12/521
- D524,233 S 7/2006 Marazzi et al. .... D12/521



# US D735,113 S

Page 2

---

(56)

## References Cited

### U.S. PATENT DOCUMENTS

D644,592 S 9/2011 Grabo et al. .... D12/519  
D647,454 S \* 10/2011 Fabing et al. .... D12/518  
D659,075 S 5/2012 Harvey et al. .... D12/521  
D662,451 S 6/2012 Schmalix et al. .... D12/521

D668,598 S 10/2012 Hughes et al. .... D12/521  
D675,149 S \* 1/2013 Bruneau et al. .... D12/518  
D684,919 S \* 6/2013 Maxwell et al. .... D12/521  
D684,920 S \* 6/2013 Maxwell et al. .... D12/521  
D710,787 S \* 8/2014 Dixon et al. .... D12/521

\* cited by examiner

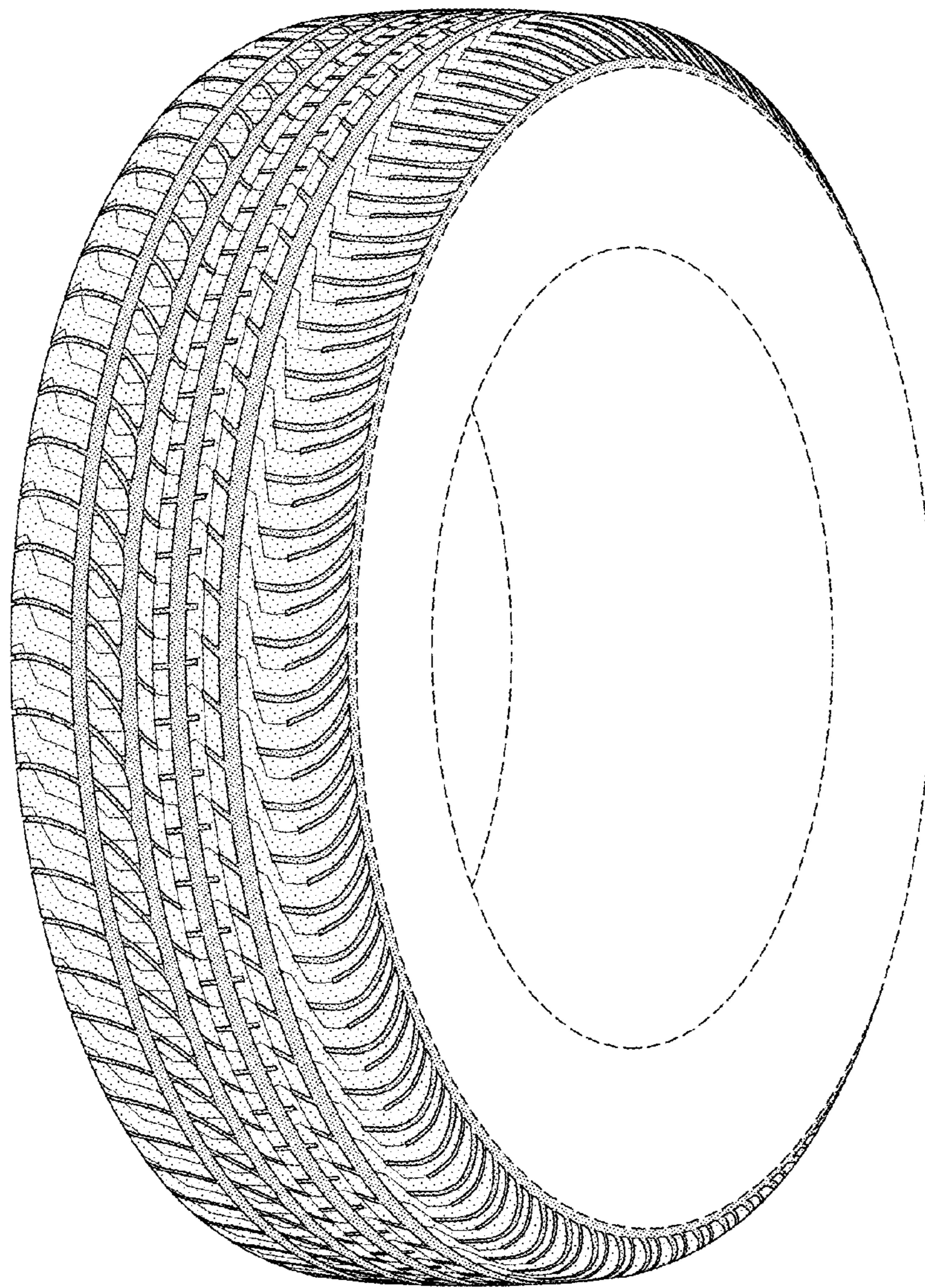


FIG-1

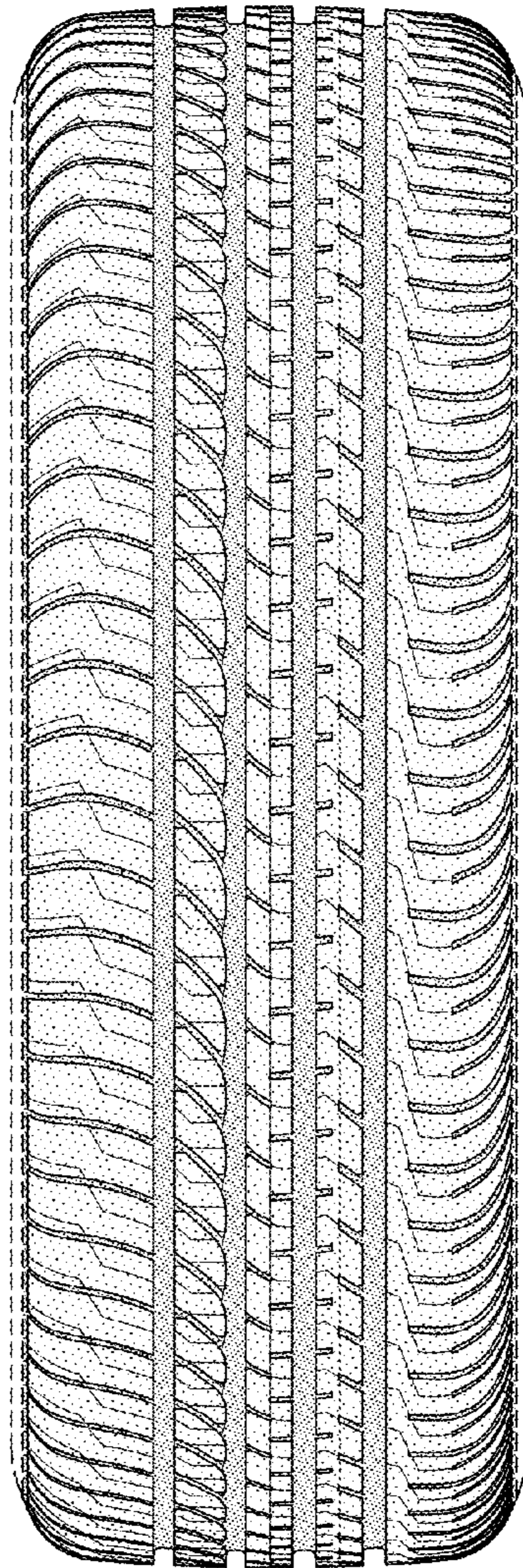


FIG-2

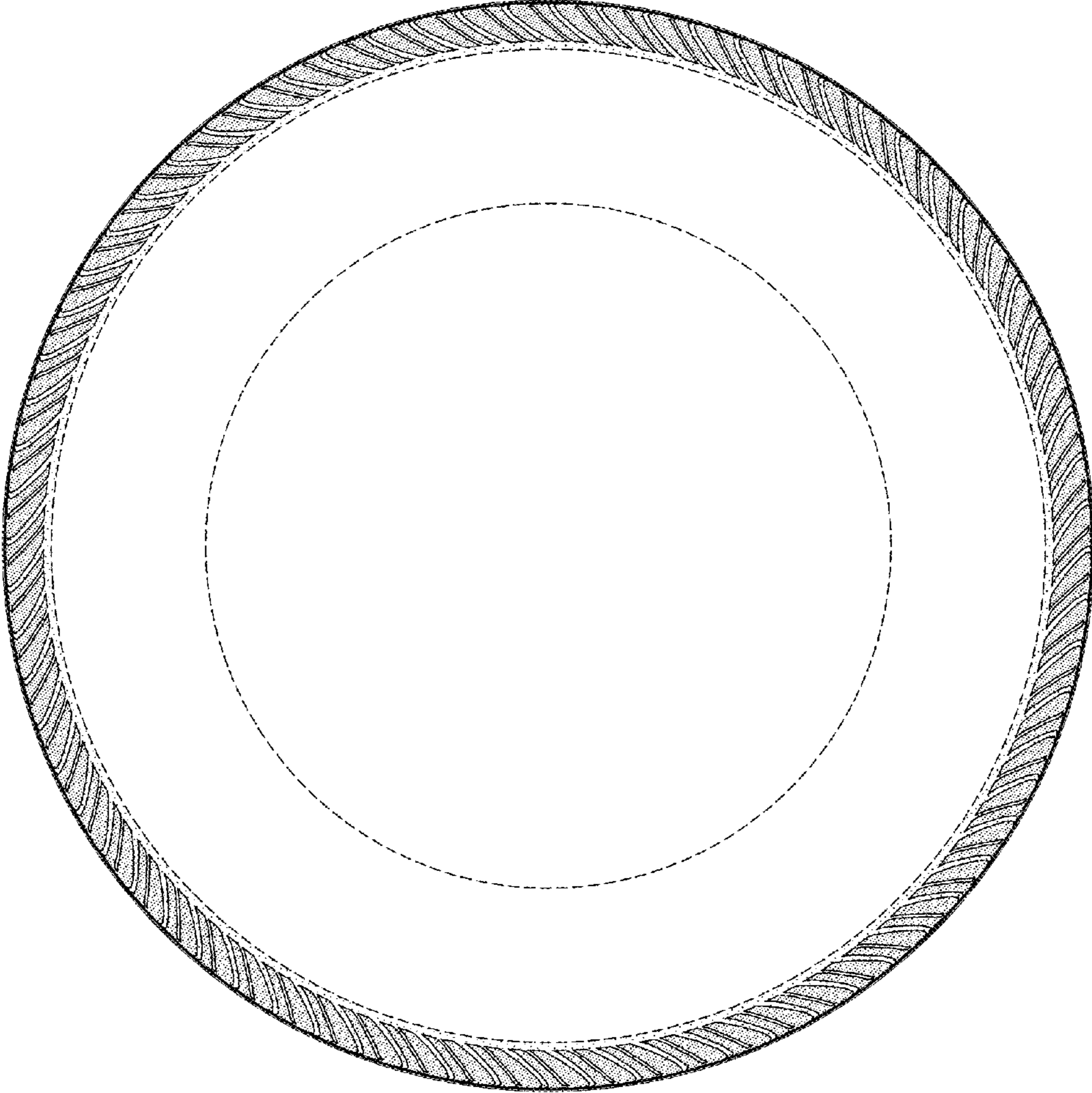


FIG-3

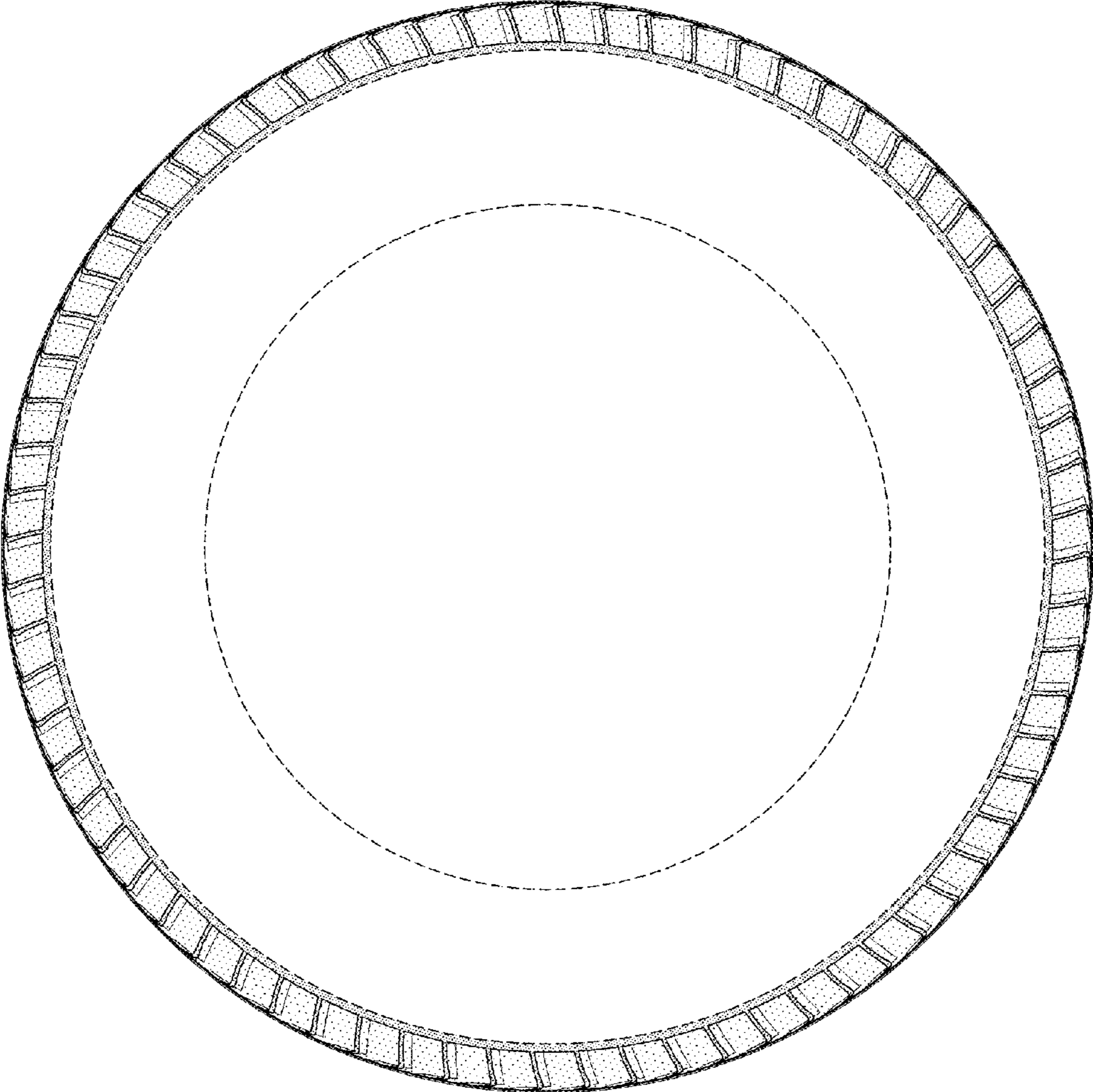


FIG-4

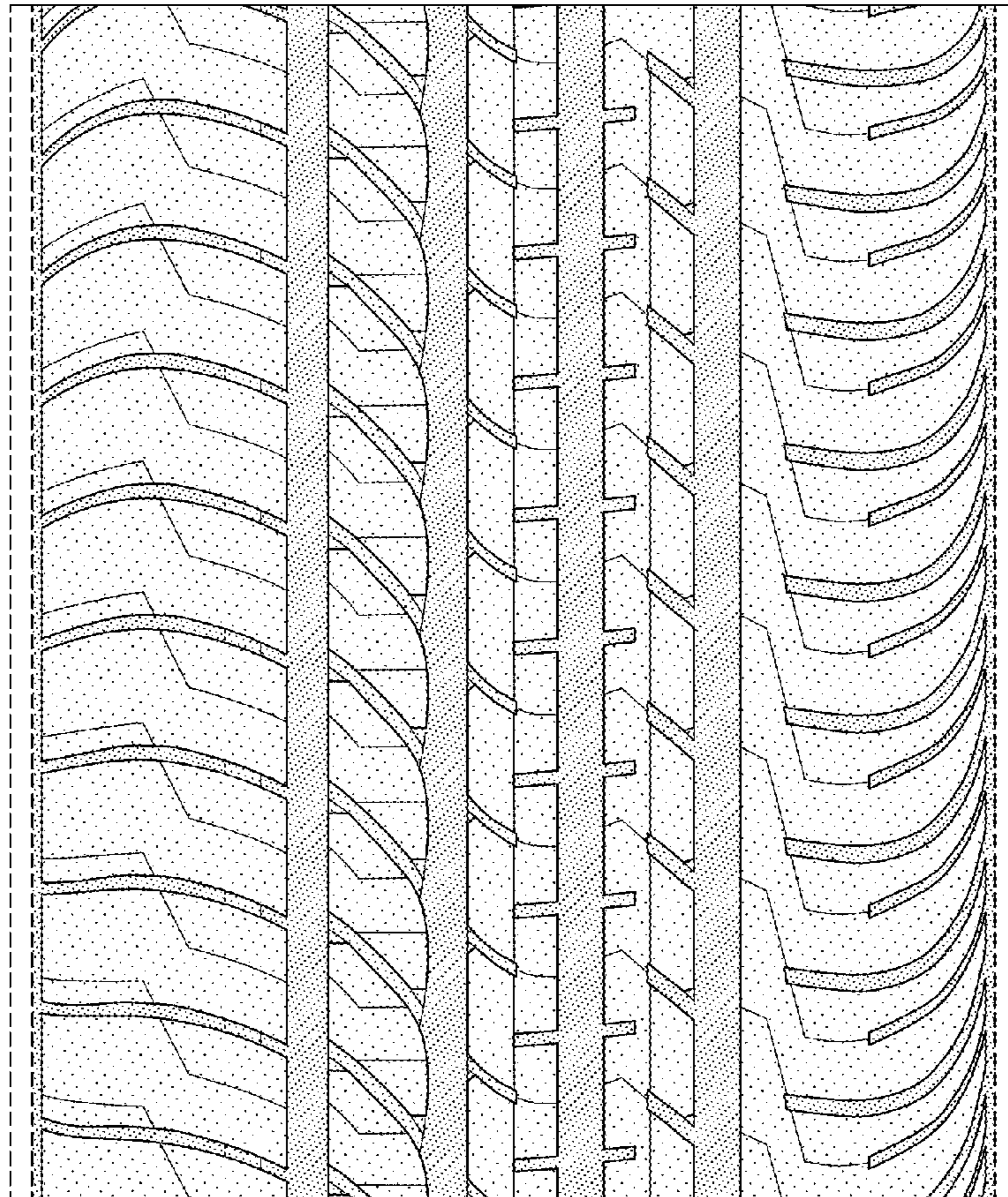


FIG-5

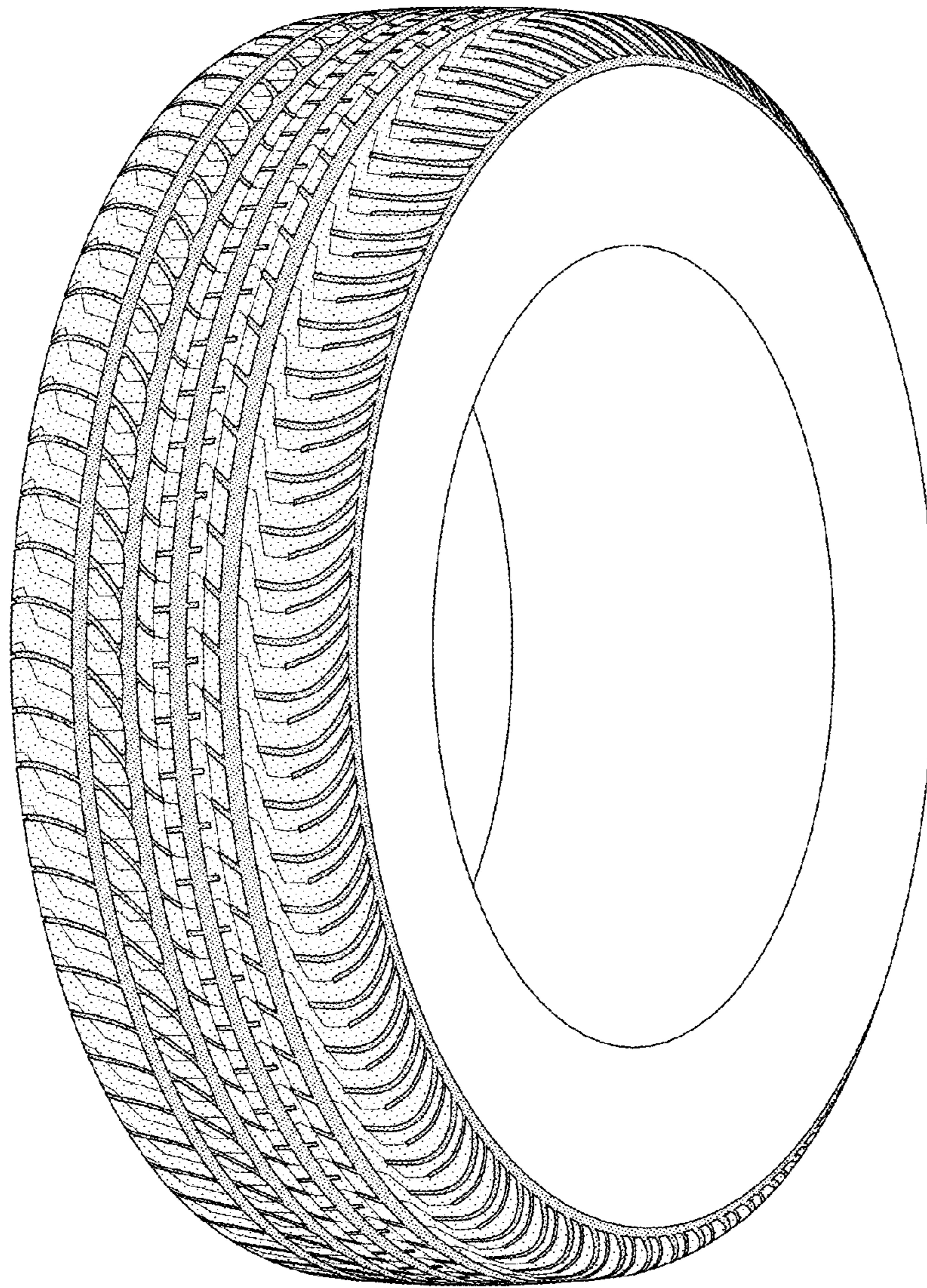


FIG-6



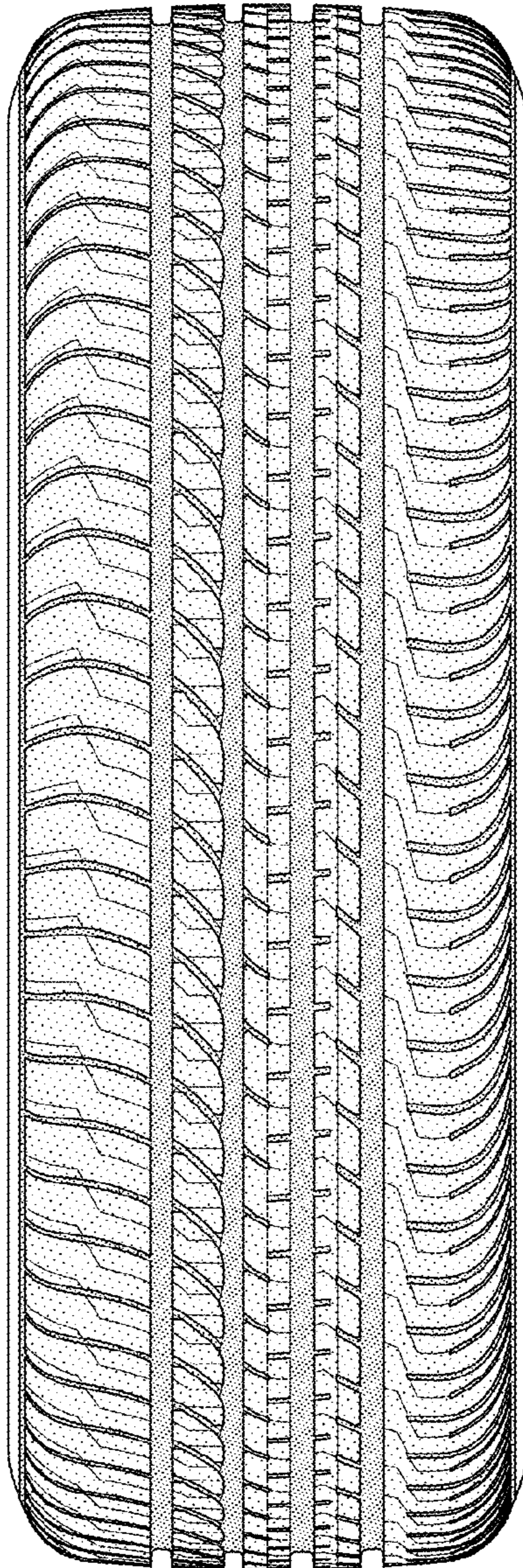


FIG-7