



US00D735112S

(12) **United States Design Patent**
Deng et al.

(10) **Patent No.:** **US D735,112 S**
(45) **Date of Patent:** **** Jul. 28, 2015**

(54) **PORTABLE DEVICE HOLDER FOR DASH**

(71) Applicant: **E. MISHAN & SONS, INC.**, New York, NY (US)

(72) Inventors: **Daniel Deng**, Dongguan (CN); **Debbie Feuerstein**, Riverdale, NY (US)

(73) Assignee: **E. MISHAN & SONS, INC.**, New York, NY (US)

(**) Term: **14 Years**

(21) Appl. No.: **29/496,605**

(22) Filed: **Jul. 15, 2014**

(51) **LOC (10) Cl.** **12-16**

(52) **U.S. Cl.**
USPC **D12/415**

(58) **Field of Classification Search**
USPC D12/415-420, 400, 191, 106, 195, 345,
D12/96, 99; 312/246; 296/37.1-37.8, 70,
296/24.1-24.3, 24.34, 97.1-97.8; 224/311,
224/539, 281, 118.1; 160/370.21-370.23
CPC B60R 7/04; B60R 7/08
See application file for complete search history.

(56) **References Cited**

U.S. PATENT DOCUMENTS

| | | | | |
|-----------------|---------|--------------|-------|---------|
| D630,222 S * | 1/2011 | Lin | | D14/447 |
| D645,033 S * | 9/2011 | Quong et al. | | D14/253 |
| D656,932 S * | 4/2012 | Wikel | | D14/253 |
| D663,726 S * | 7/2012 | Gourley | | D14/251 |
| D690,707 S | 10/2013 | Minn et al. | | |
| D712,394 S * | 9/2014 | Booth et al. | | D14/253 |
| 2014/0138419 A1 | 5/2014 | Minn et al. | | |

* cited by examiner

Primary Examiner — Katrina A Betton

(74) *Attorney, Agent, or Firm* — Notaro, Michalos & Zaccaria P.C.

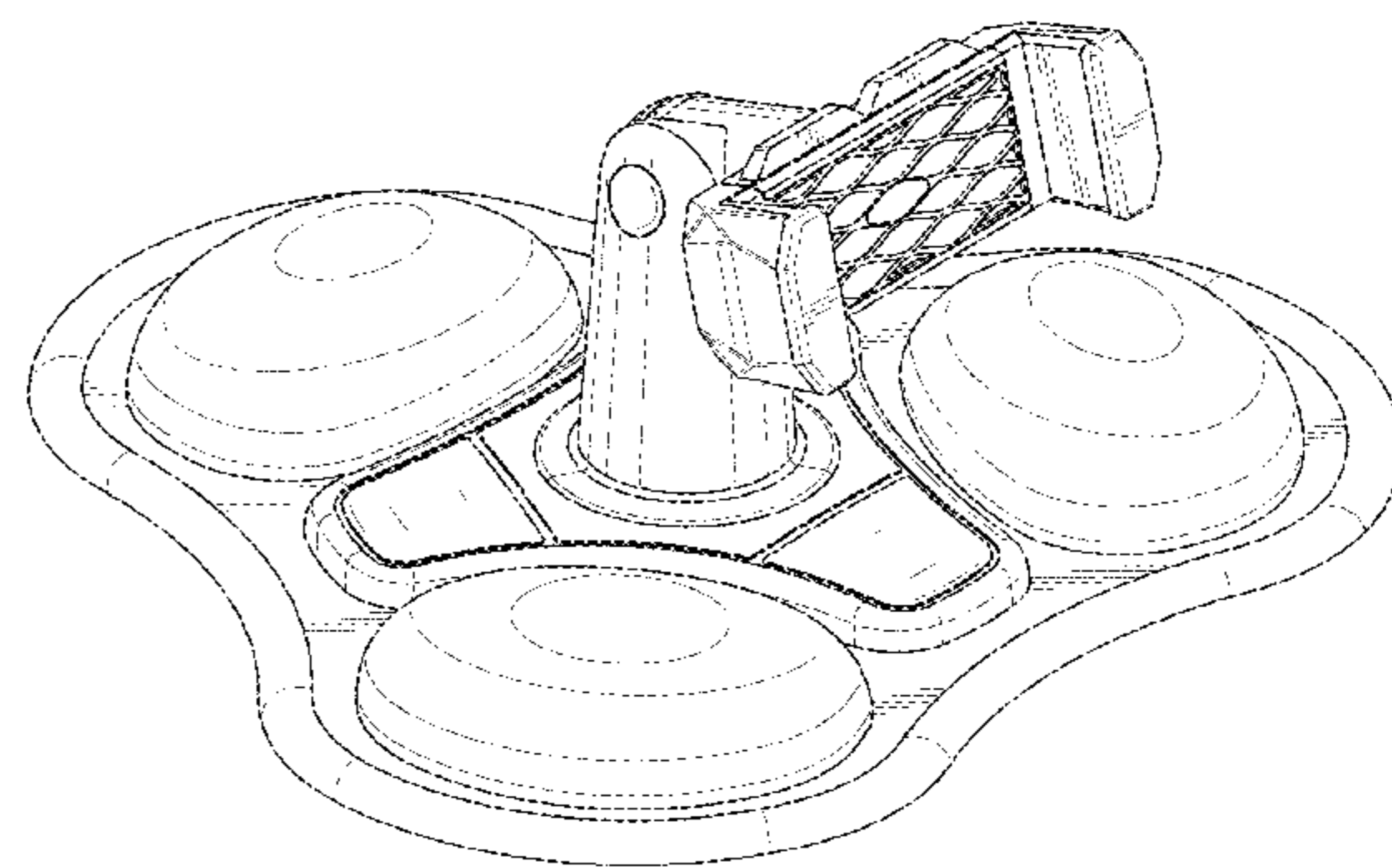
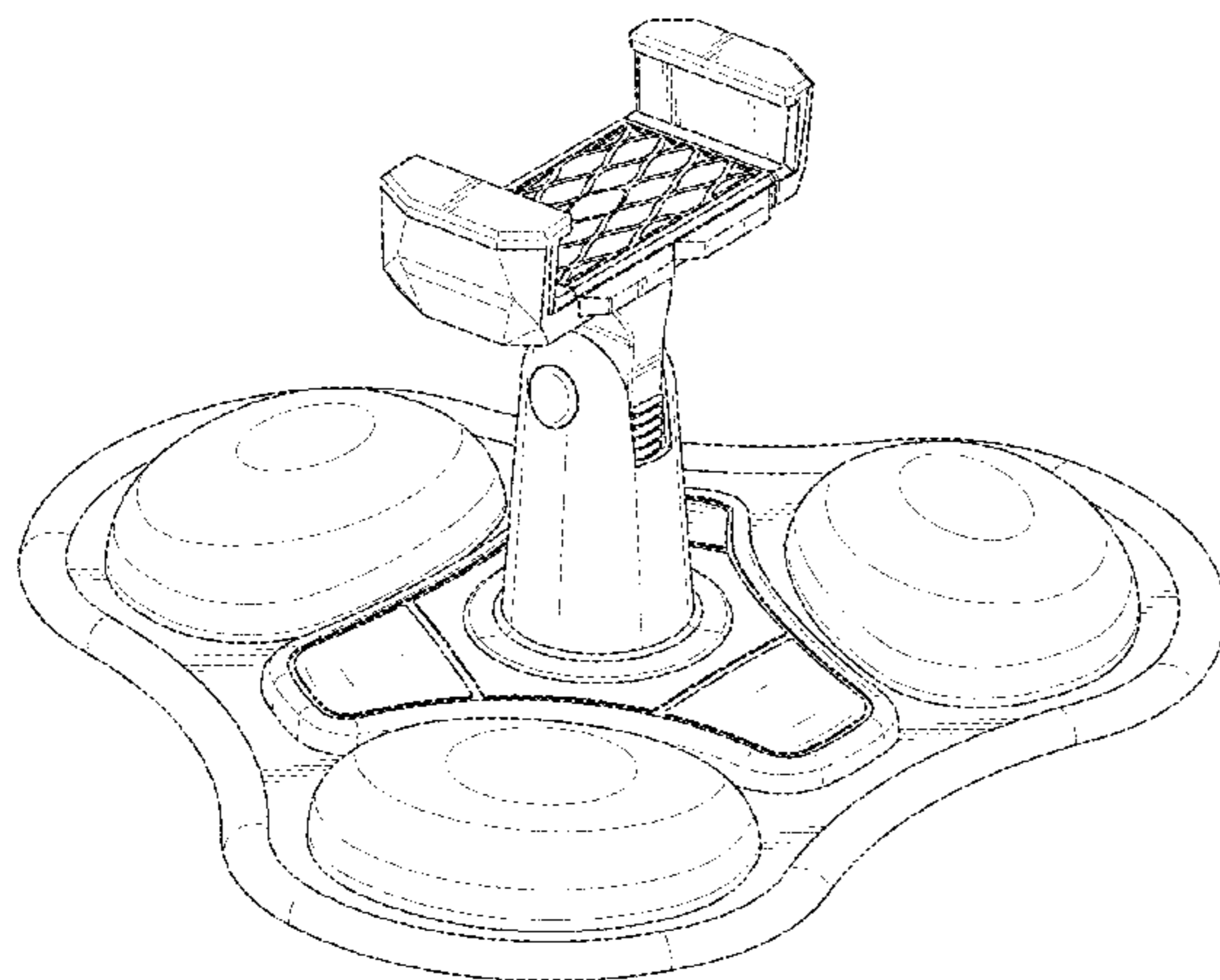
(57) **CLAIM**

The ornamental design for a portable device holder for dash, as shown and described.

DESCRIPTION

FIG. 1 is a front, right, top, perspective view of a portable device holder for dash showing our design therefor;
FIG. 2 is a front elevational view thereof;
FIG. 3 is a rear elevational view thereof;
FIG. 4 is a right side elevational view thereof;
FIG. 5 is a left side elevational view thereof;
FIG. 6 is a top plan view thereof;
FIG. 7 is a bottom plan view thereof; and,
FIG. 8 is a front, right, top perspective view of our design showing a holder for the portable device in a different position for use of a portable device.

1 Claim, 8 Drawing Sheets



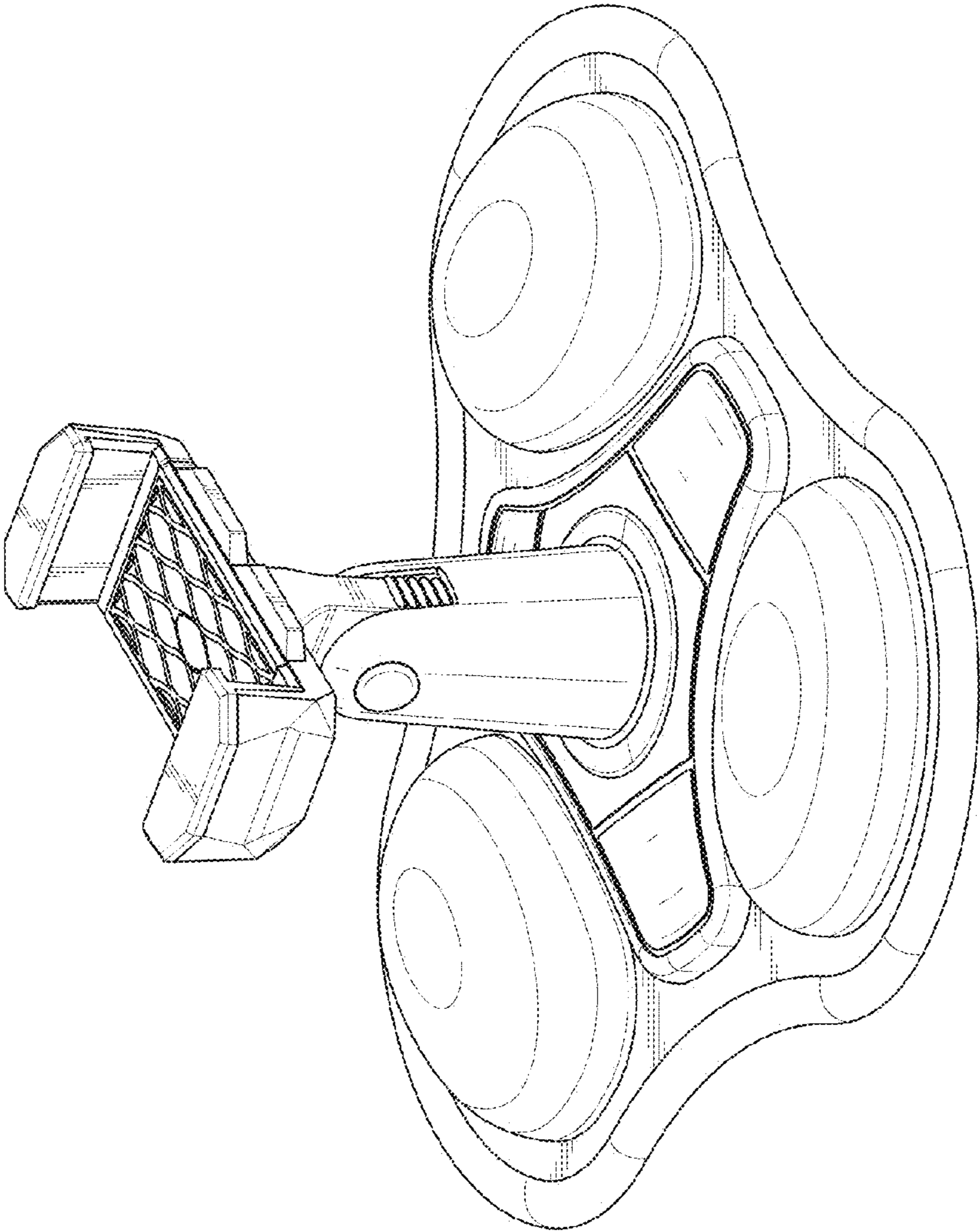


FIG. 1

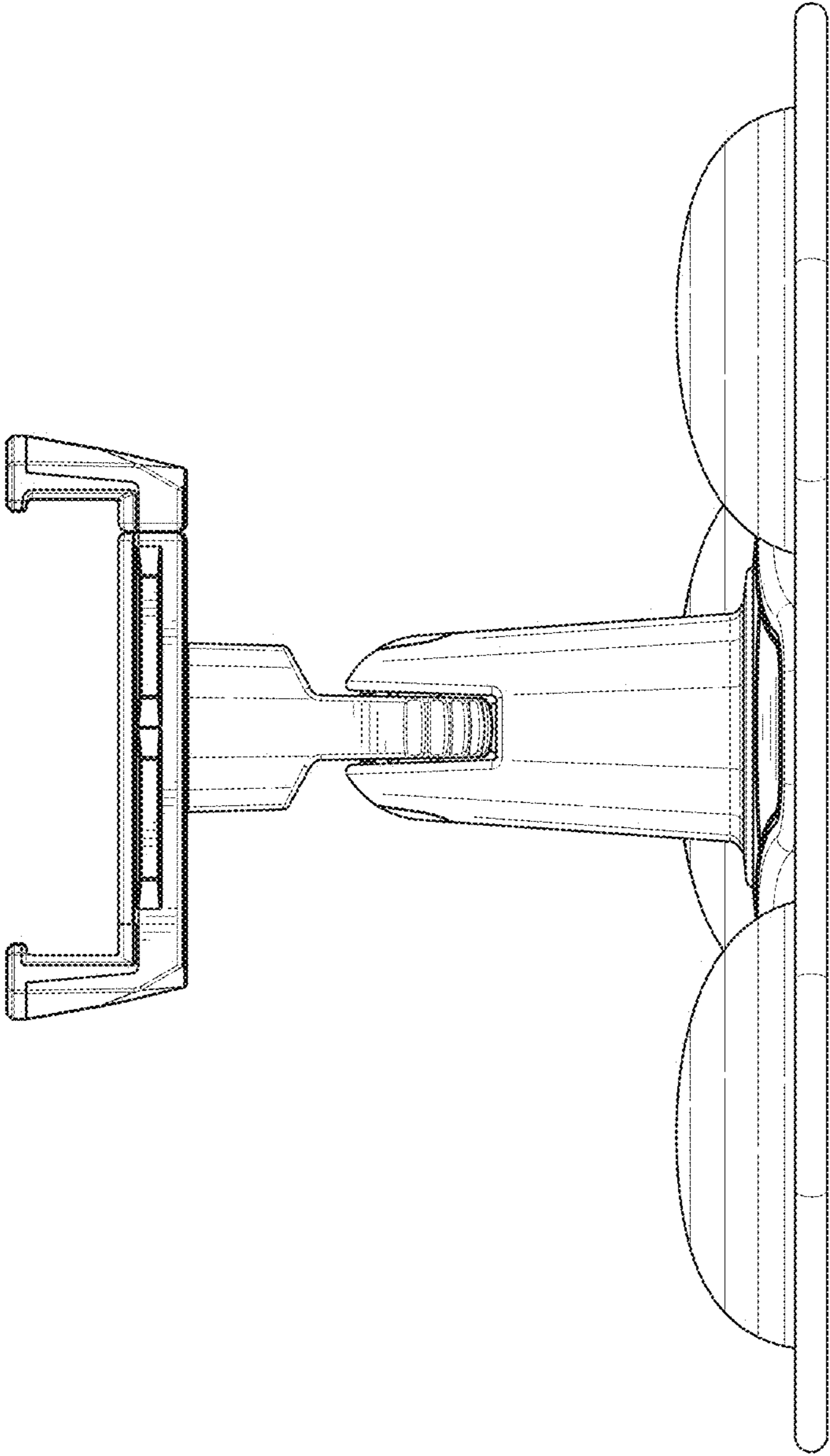


FIG. 2

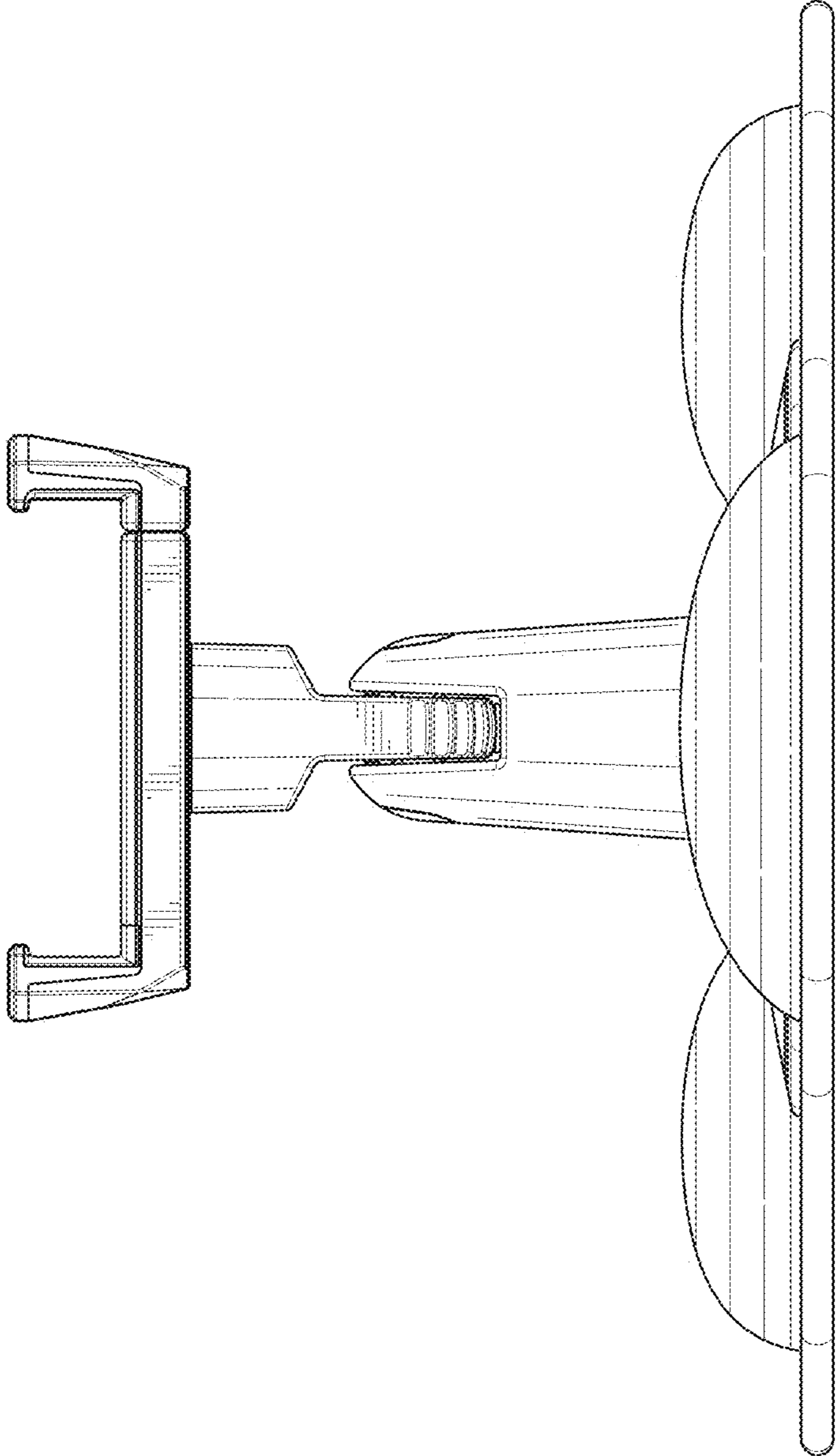


FIG. 3

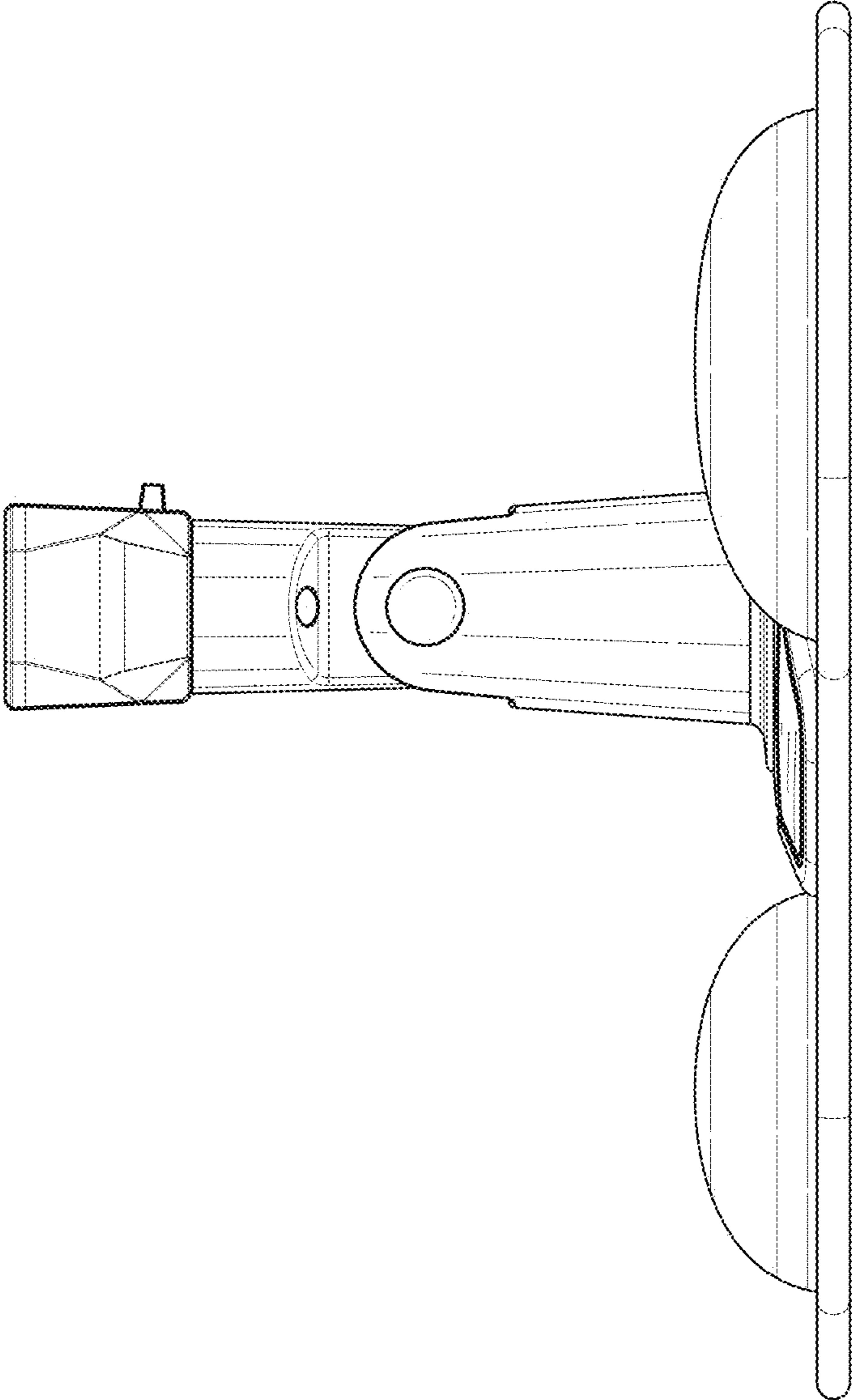


FIG. 4

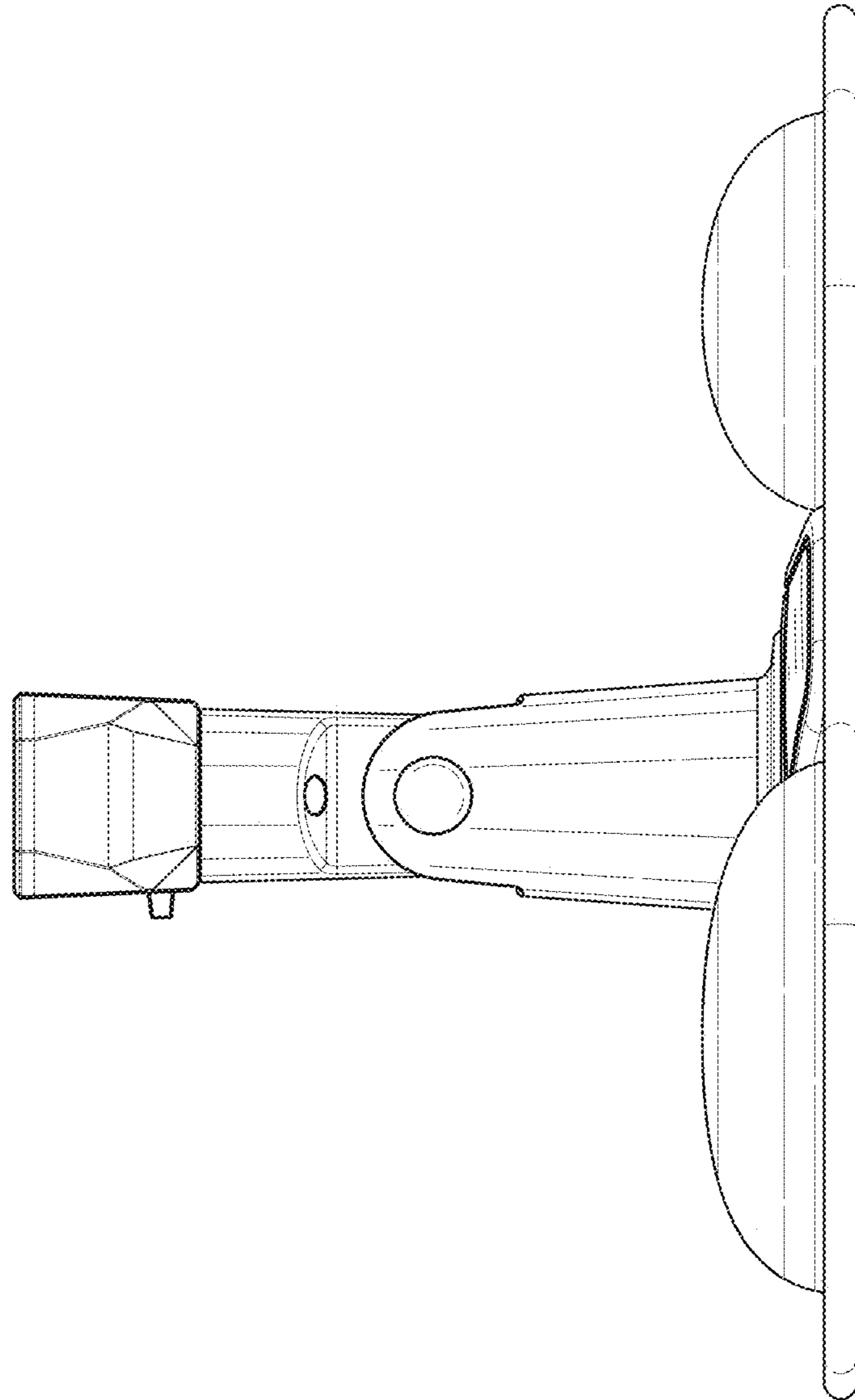


FIG. 5

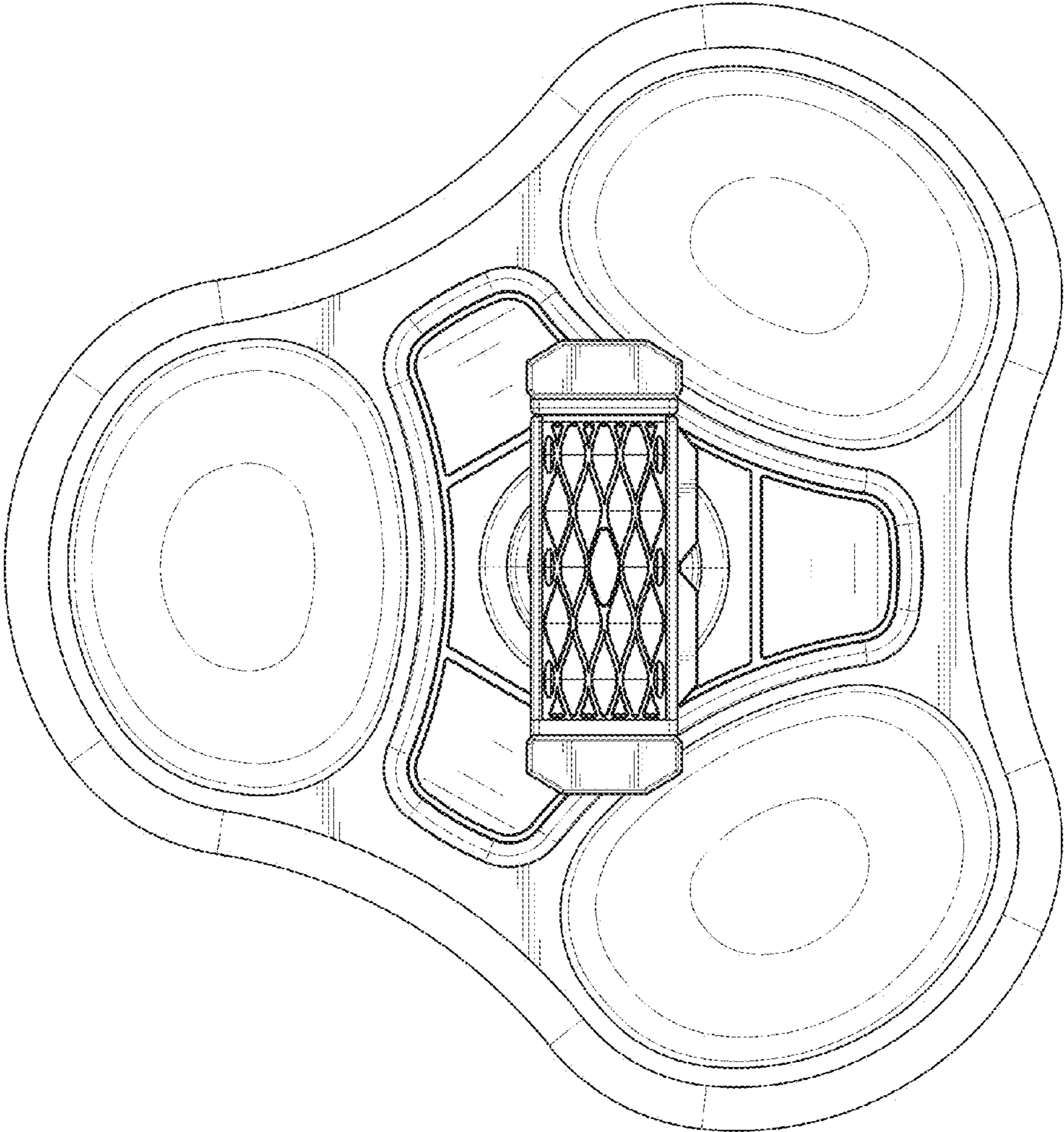


FIG. 6

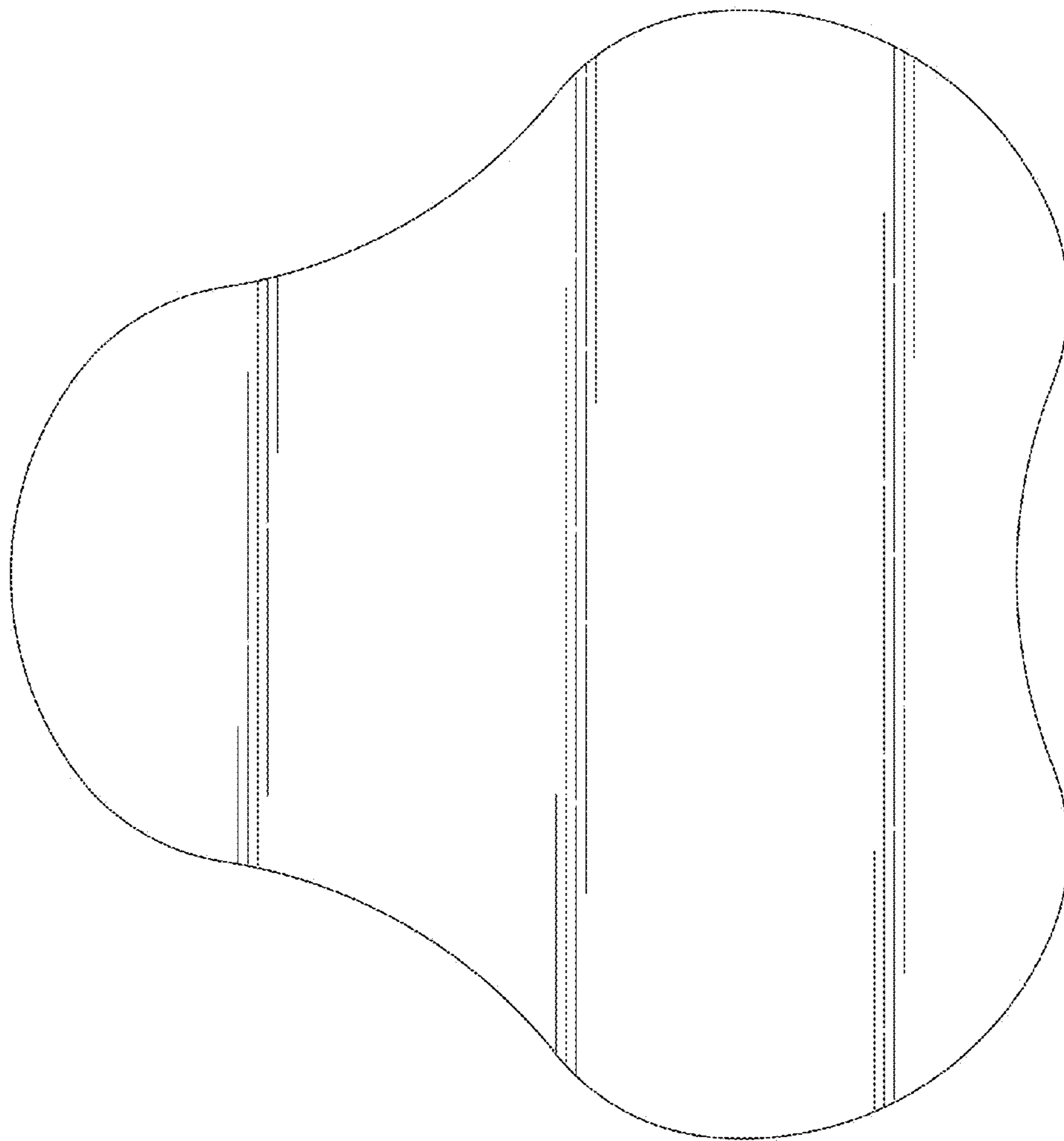


FIG. 7

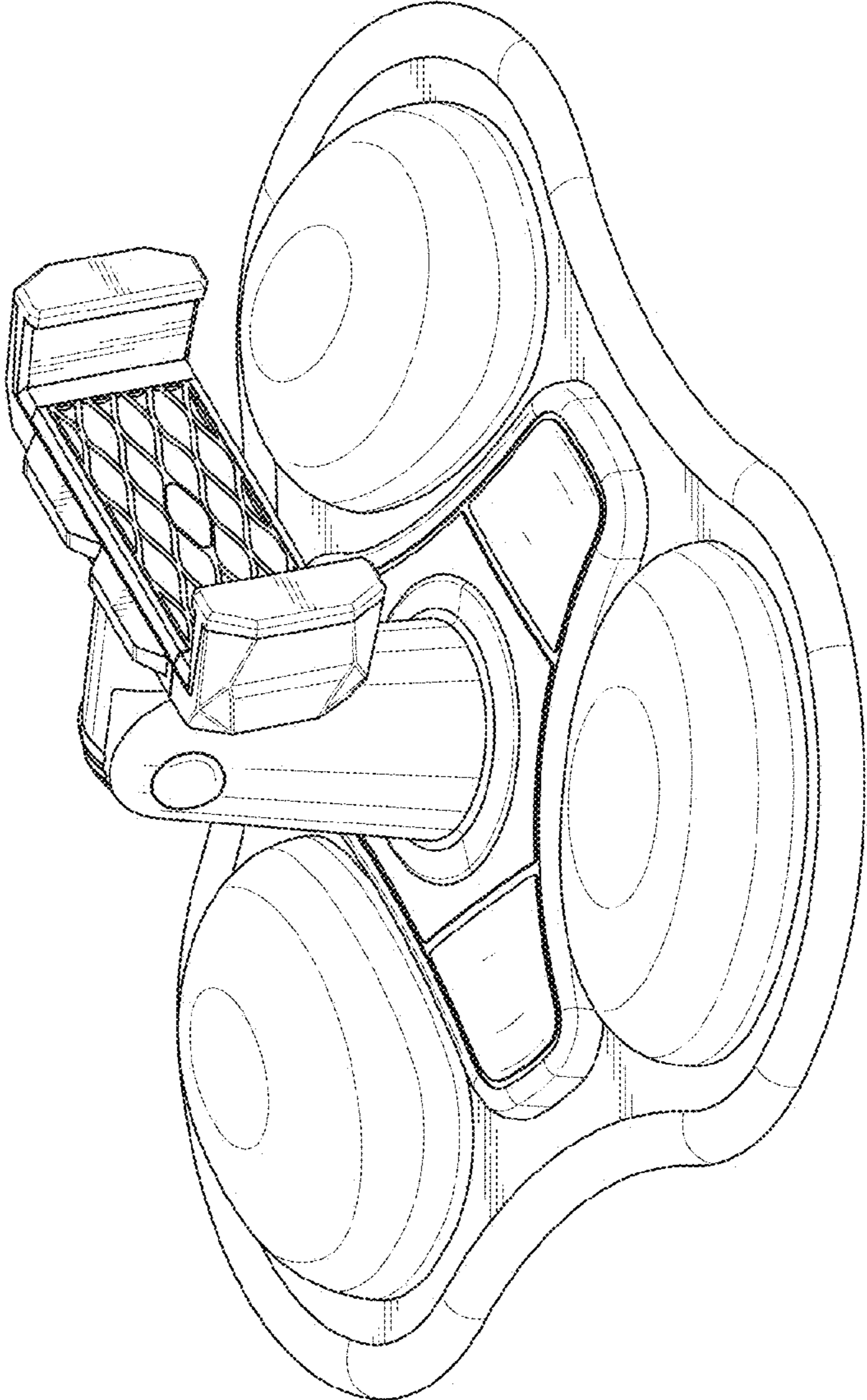


FIG. 8