



US00D735109S

(12) **United States Design Patent**
Chou et al.

(10) **Patent No.:** **US D735,109 S**
(45) **Date of Patent:** **** Jul. 28, 2015**

- (54) **HUB COVER OF REAR RIM FOR TRANSPORTATION VEHICLE**
- (71) Applicants: **Chiahua Eleanor Chou**, Schaumburg, IL (US); **Craig Massner**, Naperville, IL (US)
- (72) Inventors: **Chiahua Eleanor Chou**, Schaumburg, IL (US); **Craig Massner**, Naperville, IL (US)
- (**) Term: **14 Years**
- (21) Appl. No.: **29/468,608**
- (22) Filed: **Oct. 1, 2013**
- (51) **LOC (10) Cl.** **12-16**
- (52) **U.S. Cl.**
USPC **D12/213**
- (58) **Field of Classification Search**
USPC D12/204–213
CPC B60B 7/00; B60B 7/02; B60B 7/04; B60B 7/01; B60B 7/06; B60B 3/02; B60B 3/04; B60B 3/06; B60B 3/10; B60B 1/00; B60B 1/08; B60B 1/10; B60B 1/12
See application file for complete search history.

D393,240 S *	4/1998	Escobedo	D12/213
D512,011 S *	11/2005	Tirado	D12/213
D539,203 S *	3/2007	Danbom et al.	D12/204
D567,730 S *	4/2008	Polka	D12/204
D567,731 S *	4/2008	Polka	D12/204
D719,887 S *	12/2014	Hensel et al.	D12/207

* cited by examiner

Primary Examiner — Stacia Cadmus

(74) *Attorney, Agent, or Firm* — WPAT, P.C.; Anthony King

(57) **CLAIM**

The ornamental design of a hub cover of rear rim for transportation vehicle, as shown and described.

DESCRIPTION

FIG. 1 is a three dimensional view of a hub cover of rear rim for transportation vehicle showing a first preferred embodiment of our new design;
 FIG. 2 is a left side view thereof;
 FIG. 3 is a right side view thereof;
 FIG. 4 is a rear elevational view thereof;
 FIG. 5 is a front elevational view thereof;
 FIG. 6 is a top plan view thereof;
 FIG. 7 is a bottom plan view thereof; and,
 FIG. 8 is a front perspective view of a hub cover of rear rim for transportation vehicle, shown in its position of use.
 The broken line showing of the center of the hub, the bolts, the wheel and logo is included for the purpose of illustrating environment and forms no part of the claimed design.

1 Claim, 8 Drawing Sheets

- (56) **References Cited**
U.S. PATENT DOCUMENTS
D236,105 S * 7/1975 Howard D12/207
D271,293 S * 11/1983 Polka D12/204

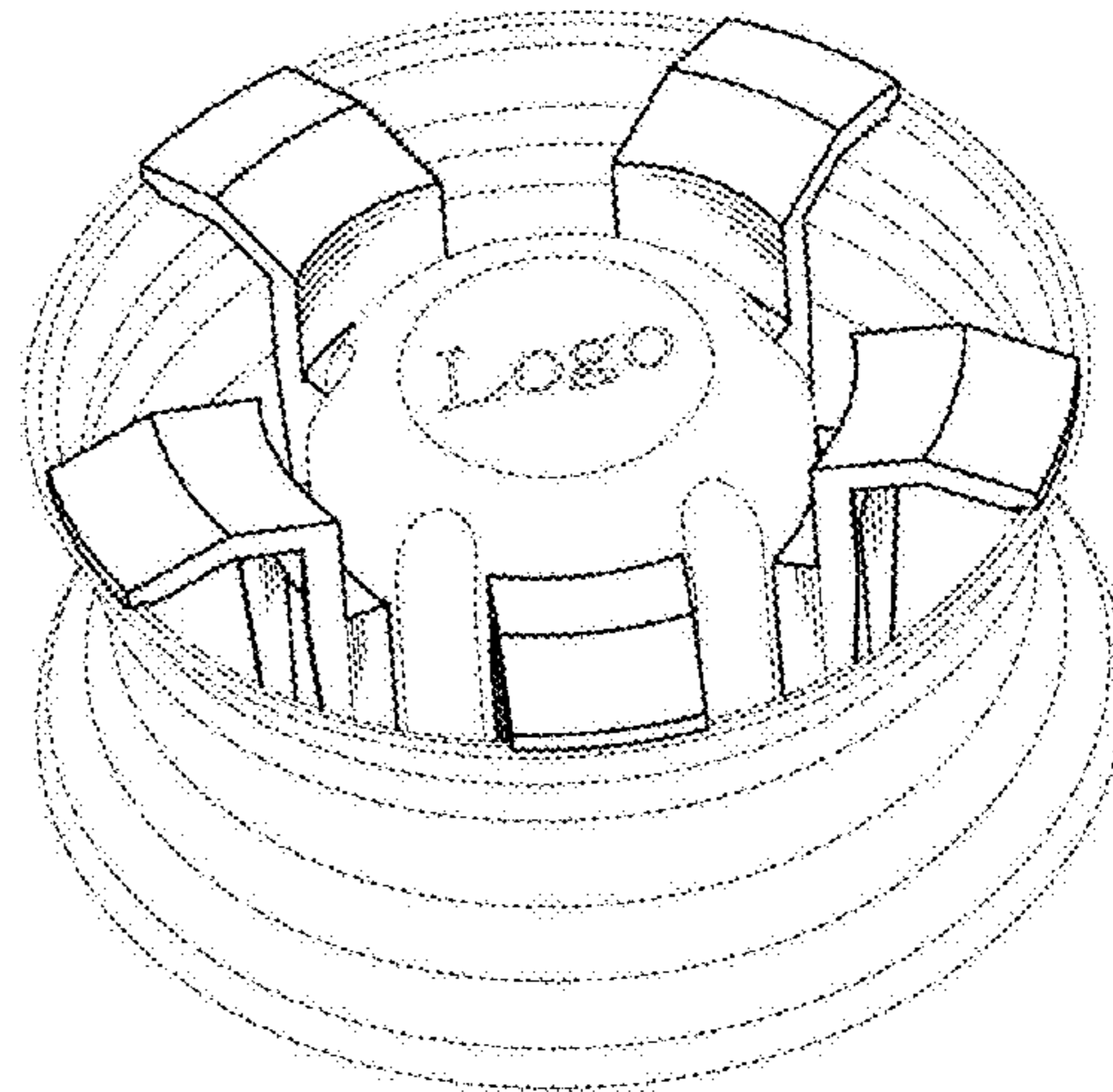
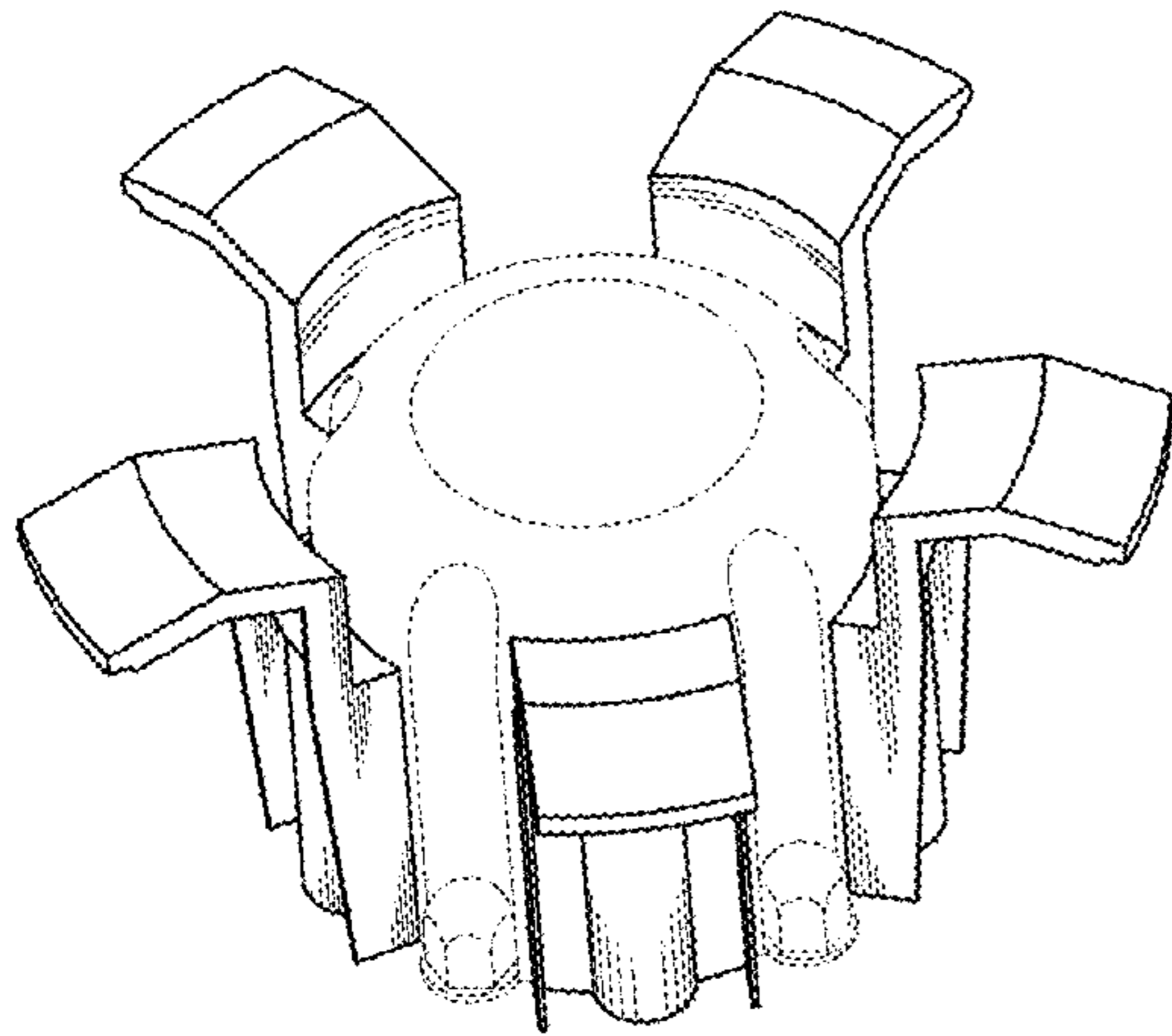


FIG. 1

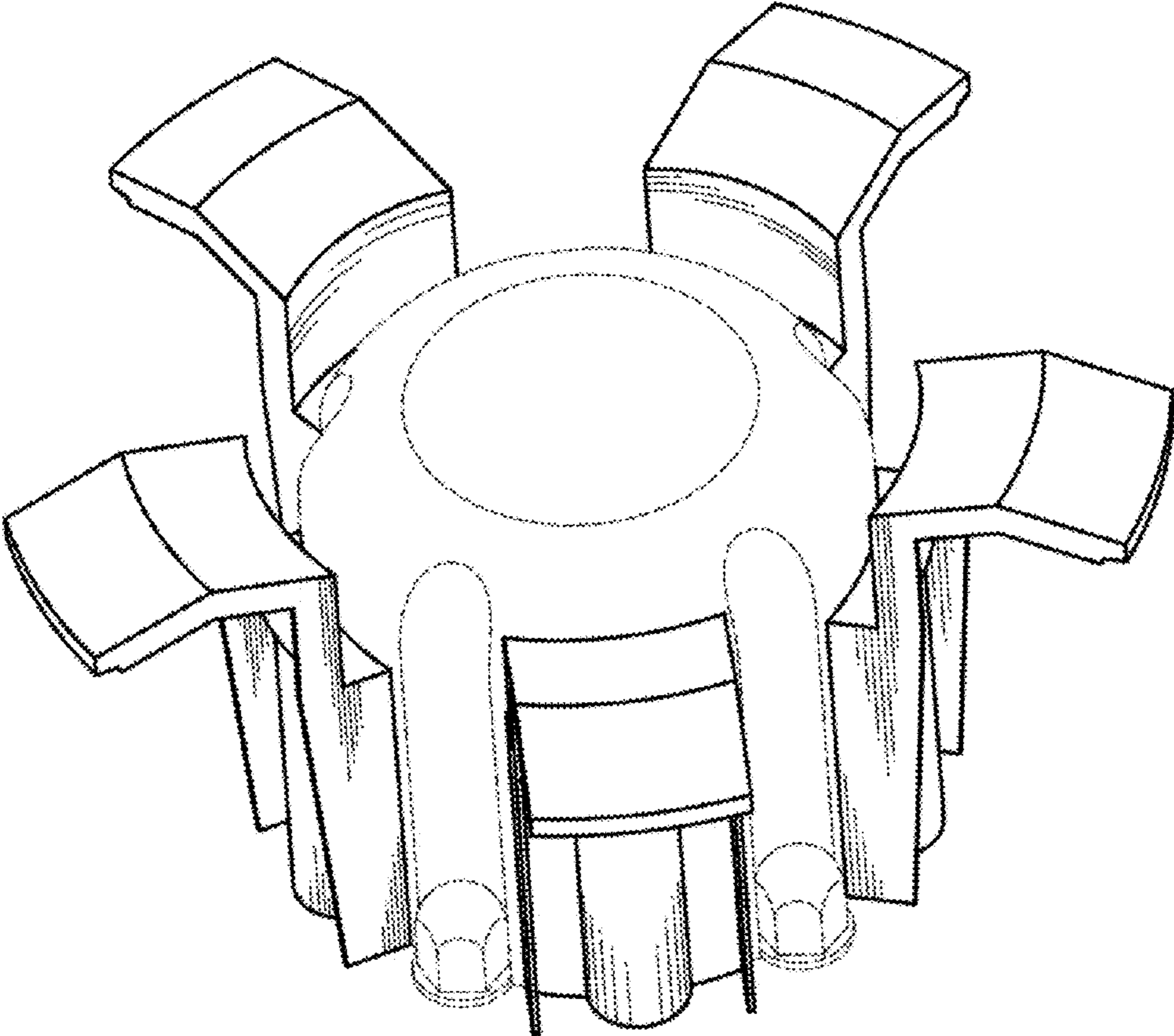


FIG. 2

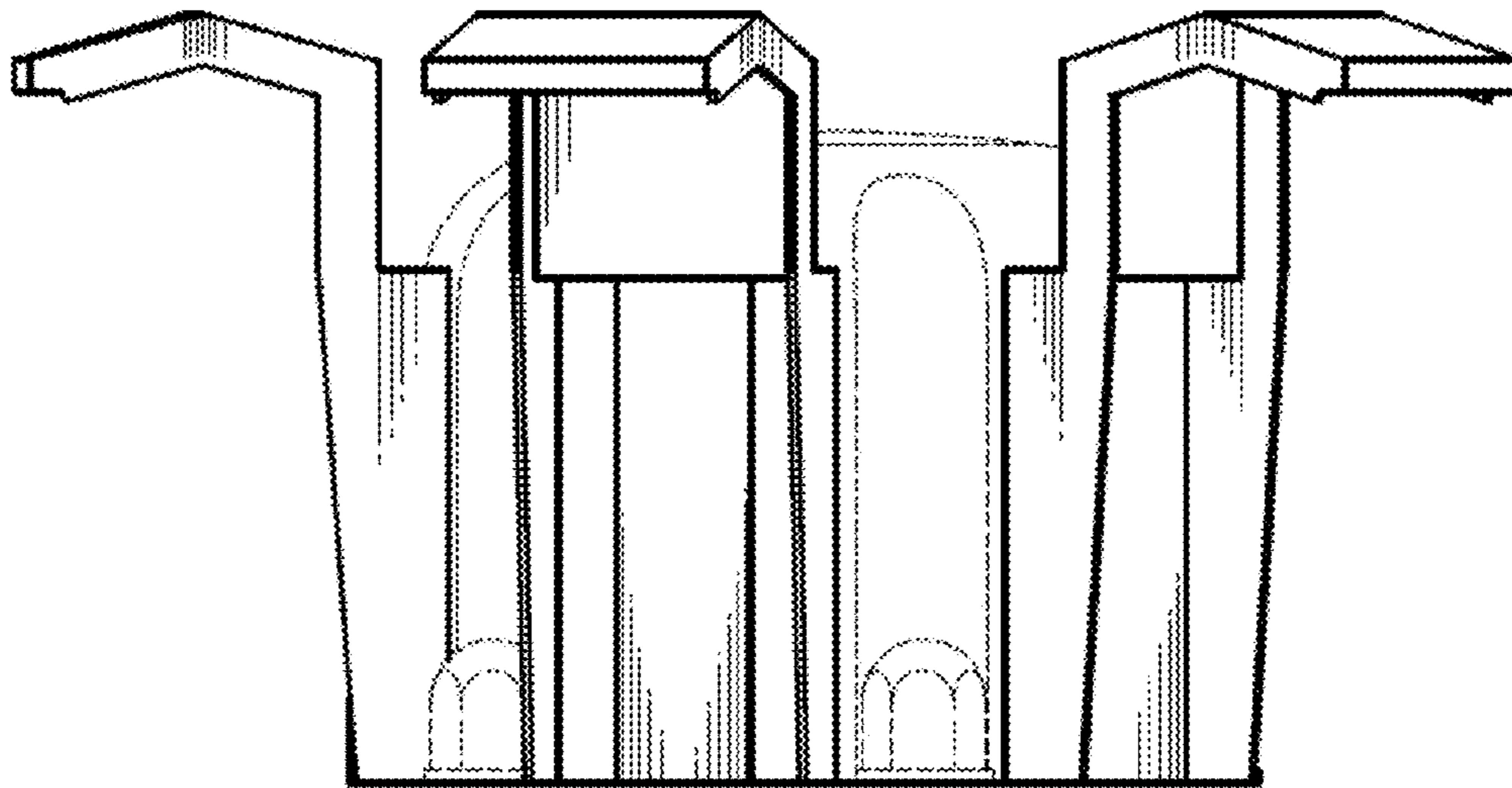


FIG. 3

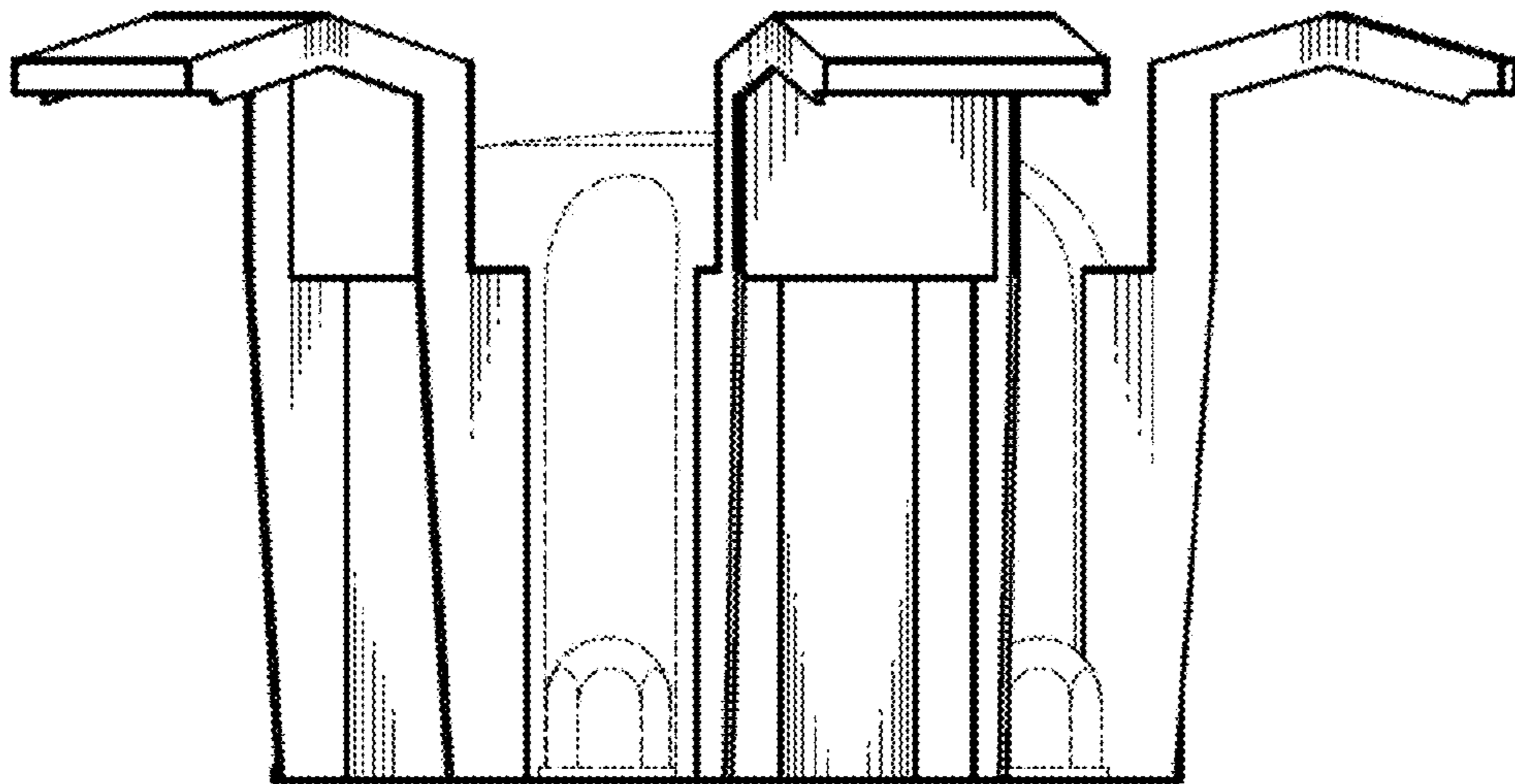


FIG. 4

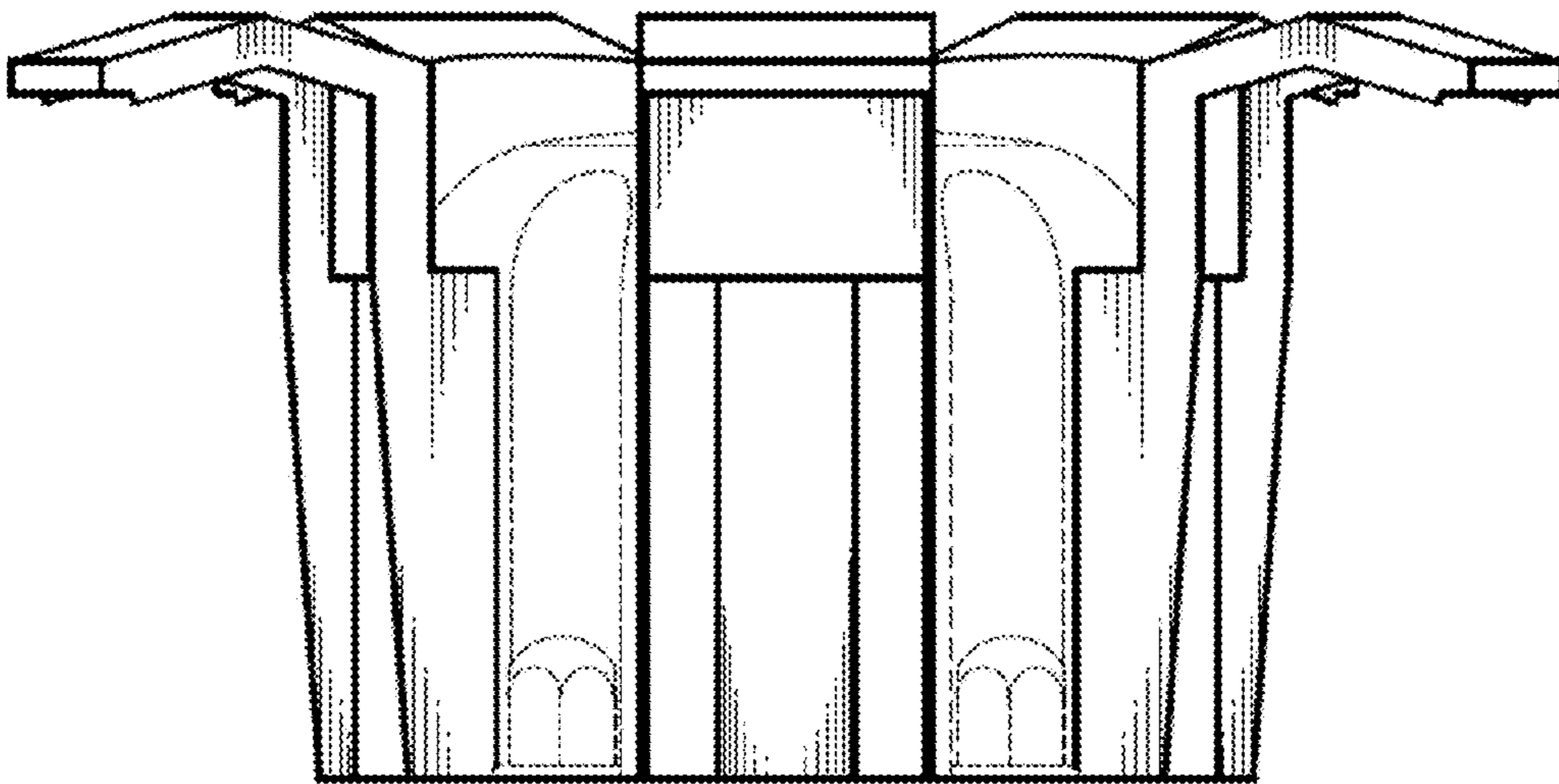


FIG. 5

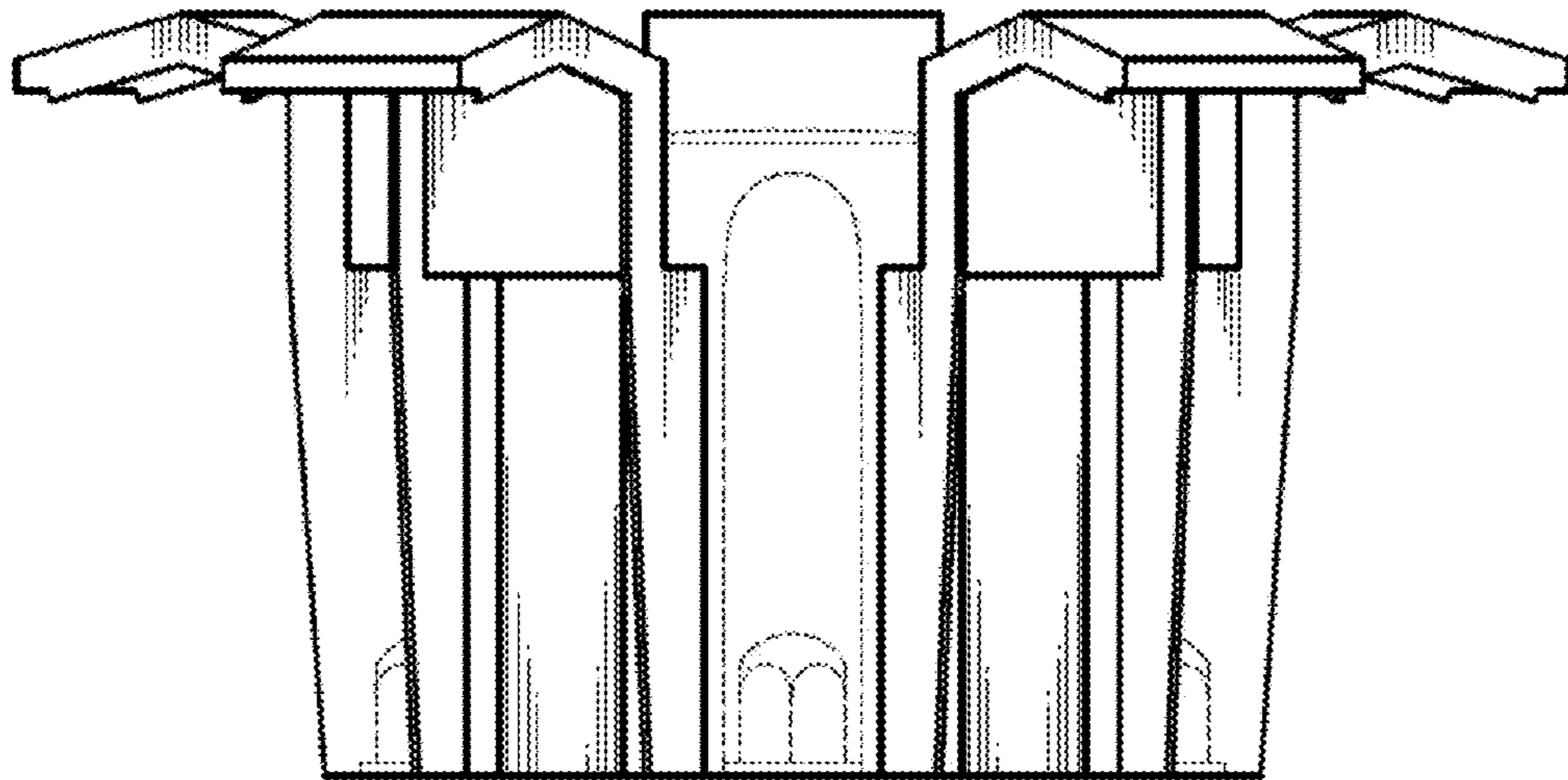


FIG. 6

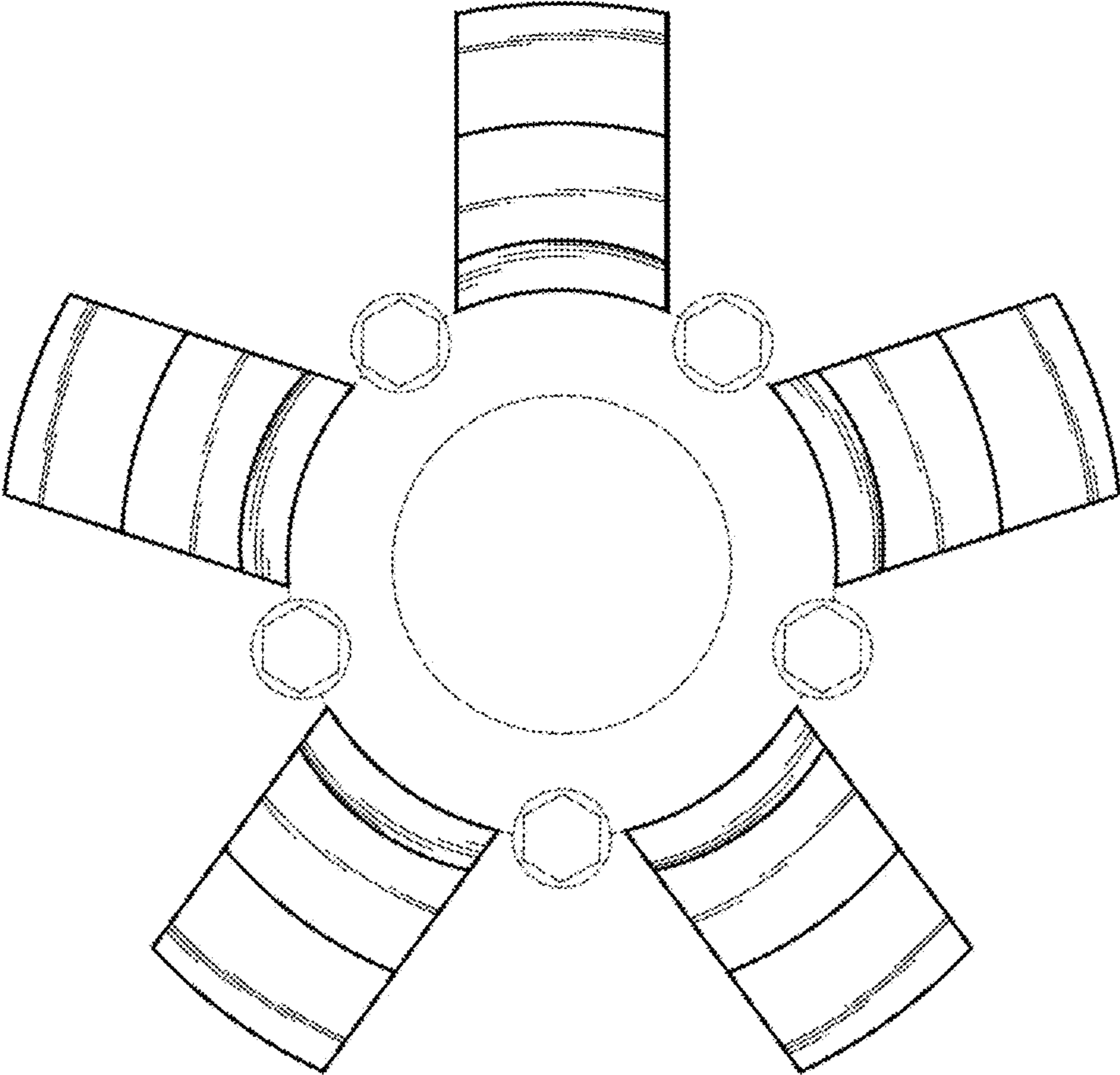


FIG. 7

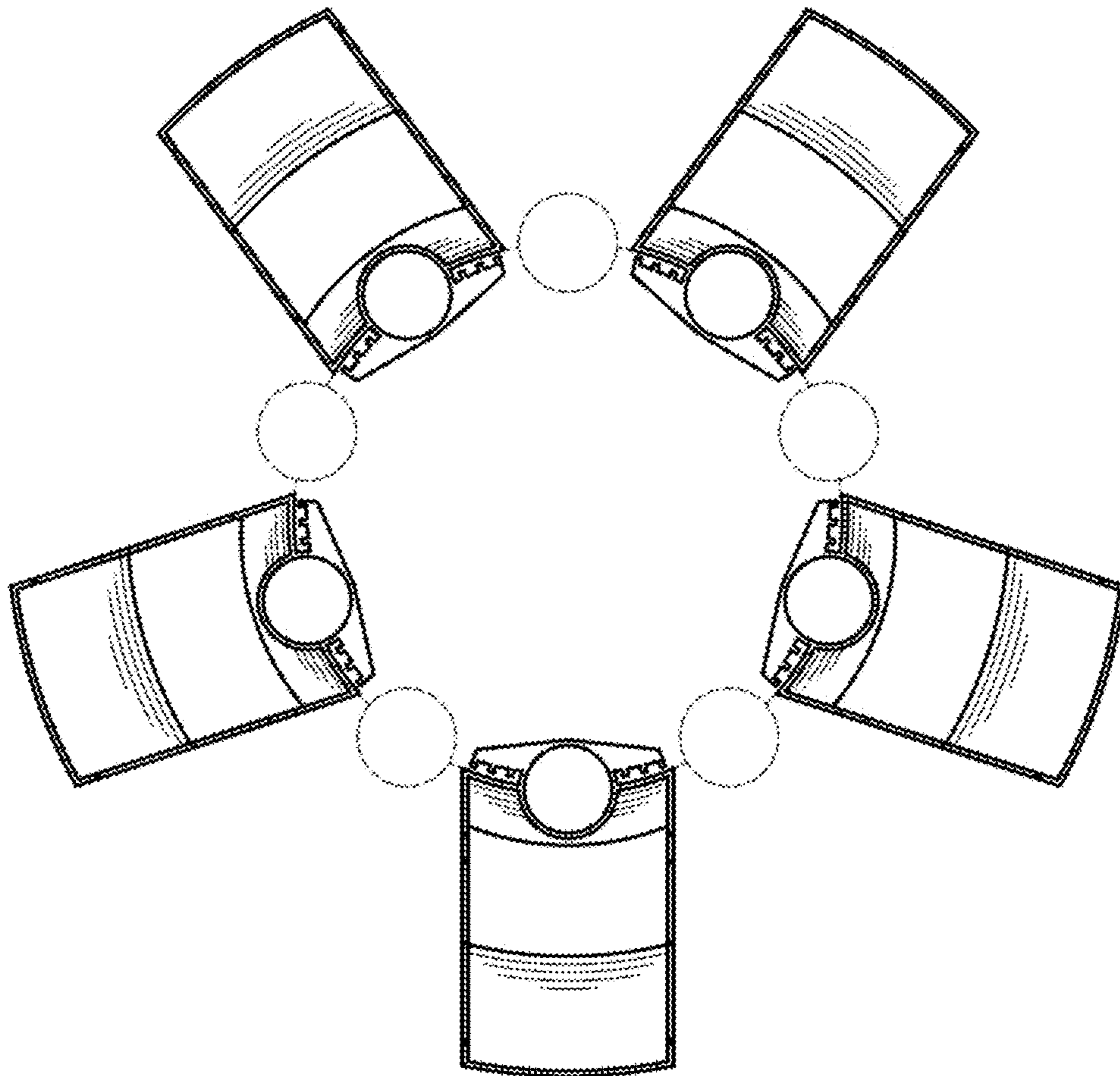


FIG. 8

