

US00D735103S

(12) **United States Design Patent**
Lemke

(10) **Patent No.:** **US D735,103 S**
(45) **Date of Patent:** **** Jul. 28, 2015**

(54) **WHEEL FOR MOTOR VEHICLE, TOY REPLICAS AND/OR OTHER REPLICAS**

(71) Applicant: **AUDI AG**, Ingolstadt (DE)

(72) Inventor: **Peter Lemke**, Munich (DE)

(73) Assignee: **AUDI AG**, Ingolstadt (DE)

(**) Term: **14 Years**

(21) Appl. No.: **29/458,053**

(22) Filed: **Jun. 14, 2013**

(30) **Foreign Application Priority Data**

Dec. 14, 2012 (EM) 002153528-0005

(51) **LOC (10) Cl.** **12-16**

(52) **U.S. Cl.**
USPC **D12/209**

(58) **Field of Classification Search**
USPC D12/204-213
CPC B60B 7/00; B60B 7/02; B60B 7/04;
B60B 7/01; B60B 7/06; B60B 3/02; B60B
3/04; B60B 3/06; B60B 3/10; B60B 1/00;
B60B 1/08; B60B 1/10; B60B 1/12
See application file for complete search history.

(56) **References Cited**

U.S. PATENT DOCUMENTS

D402,252 S * 12/1998 Kulla D12/211
D461,440 S * 8/2002 Koch D12/211
D480,672 S * 10/2003 Pfeiffer et al. D12/209
D508,671 S * 8/2005 Baum D12/209

D521,435 S * 5/2006 Fitzgerald D12/209
D535,933 S * 1/2007 Markefka D12/209
D576,533 S * 9/2008 Gallert D12/209
D595,631 S * 7/2009 Musser D12/211
D597,917 S * 8/2009 Chung D12/209
D643,793 S * 8/2011 Juergens et al. D12/209
D655,232 S * 3/2012 Zhao D12/209
D671,878 S * 12/2012 Telaak D12/209
D673,094 S * 12/2012 Behmer et al. D12/209
D679,645 S * 4/2013 Chung D12/209
D685,708 S * 7/2013 Gallert D12/209
D701,157 S * 3/2014 McMath D12/211
D703,124 S * 4/2014 Gallert D12/209
D712,329 S * 9/2014 Borkert D12/209
D720,271 S * 12/2014 Mielke et al. D12/209
D722,545 S * 2/2015 Chung D12/209

* cited by examiner

Primary Examiner — Stacia Cadmus

(74) *Attorney, Agent, or Firm* — Abelman, Frayne & Schwab

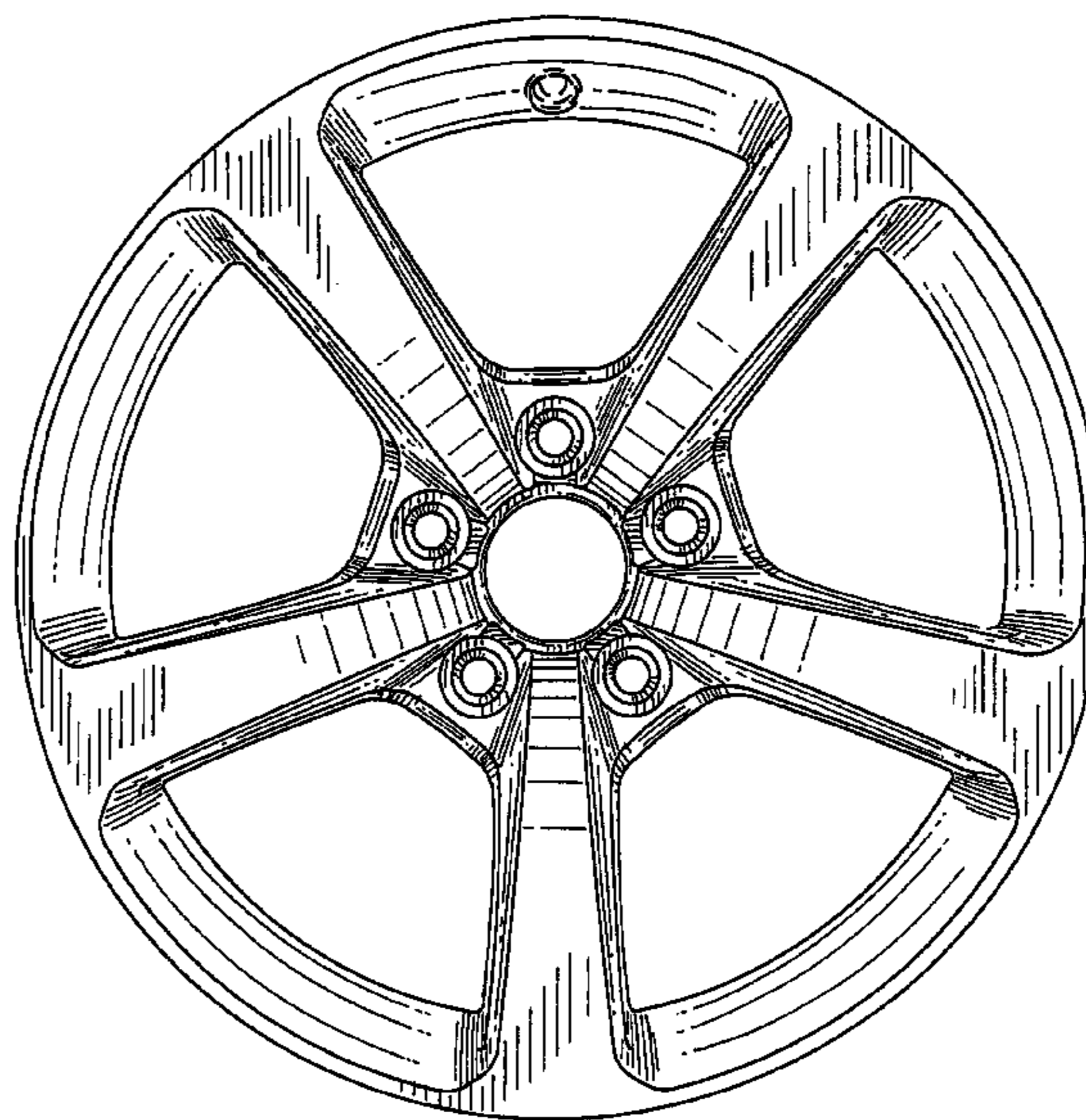
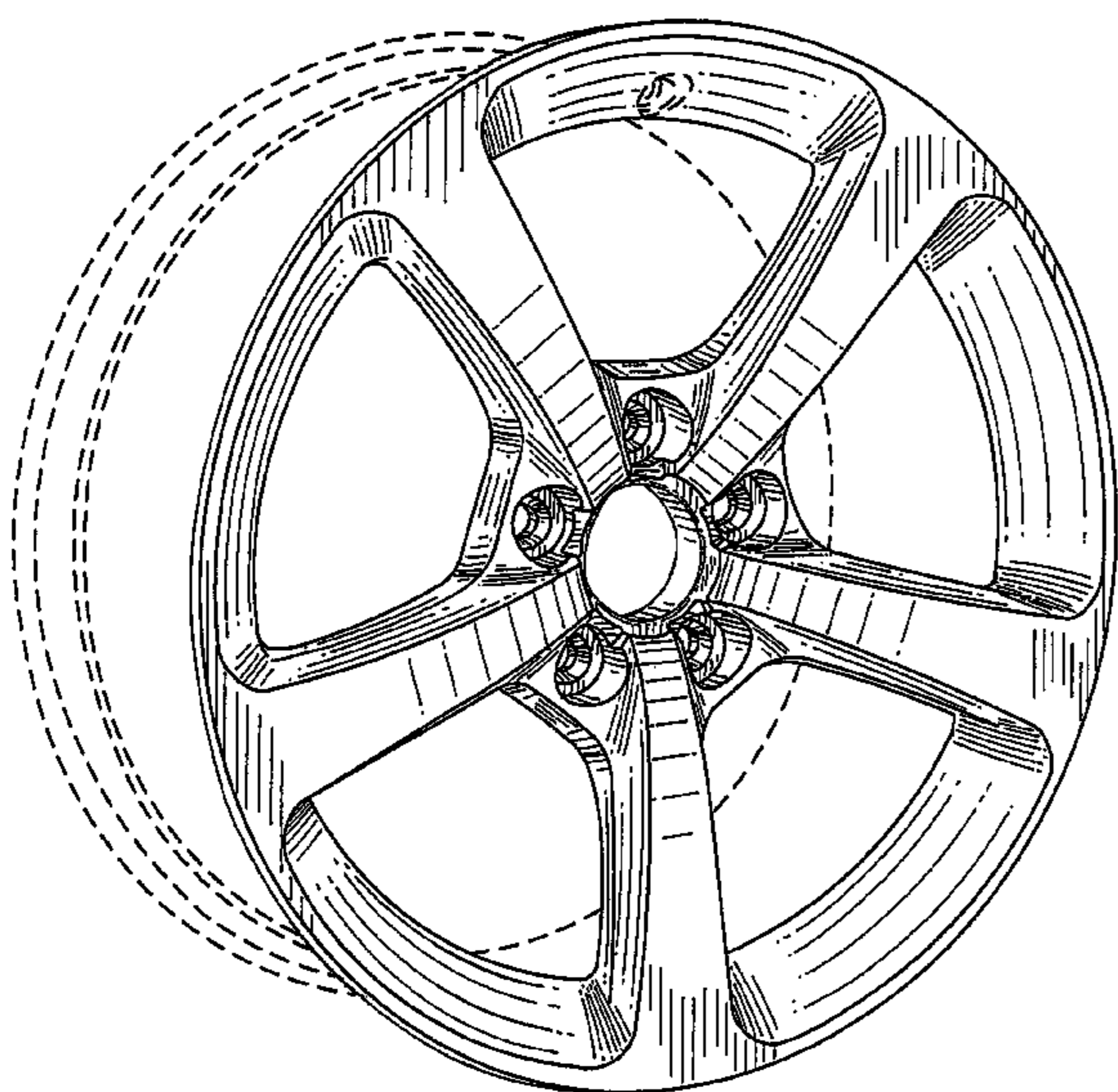
(57) **CLAIM**

The ornamental design for wheel for motor vehicle, toy replica and/or other replicas, as shown and described.

DESCRIPTION

FIG. 1 is a front and left side perspective view of the wheel for motor vehicle, toy replica and/or other replicas, showing my new design;
FIG. 2 is a front elevational view thereof; and,
FIG. 3 is a right side elevational view thereof.
The broken lines represent portions of the wheel for motor vehicle, toy replica and/or other replicas, which form no part of the claimed design.

1 Claim, 3 Drawing Sheets



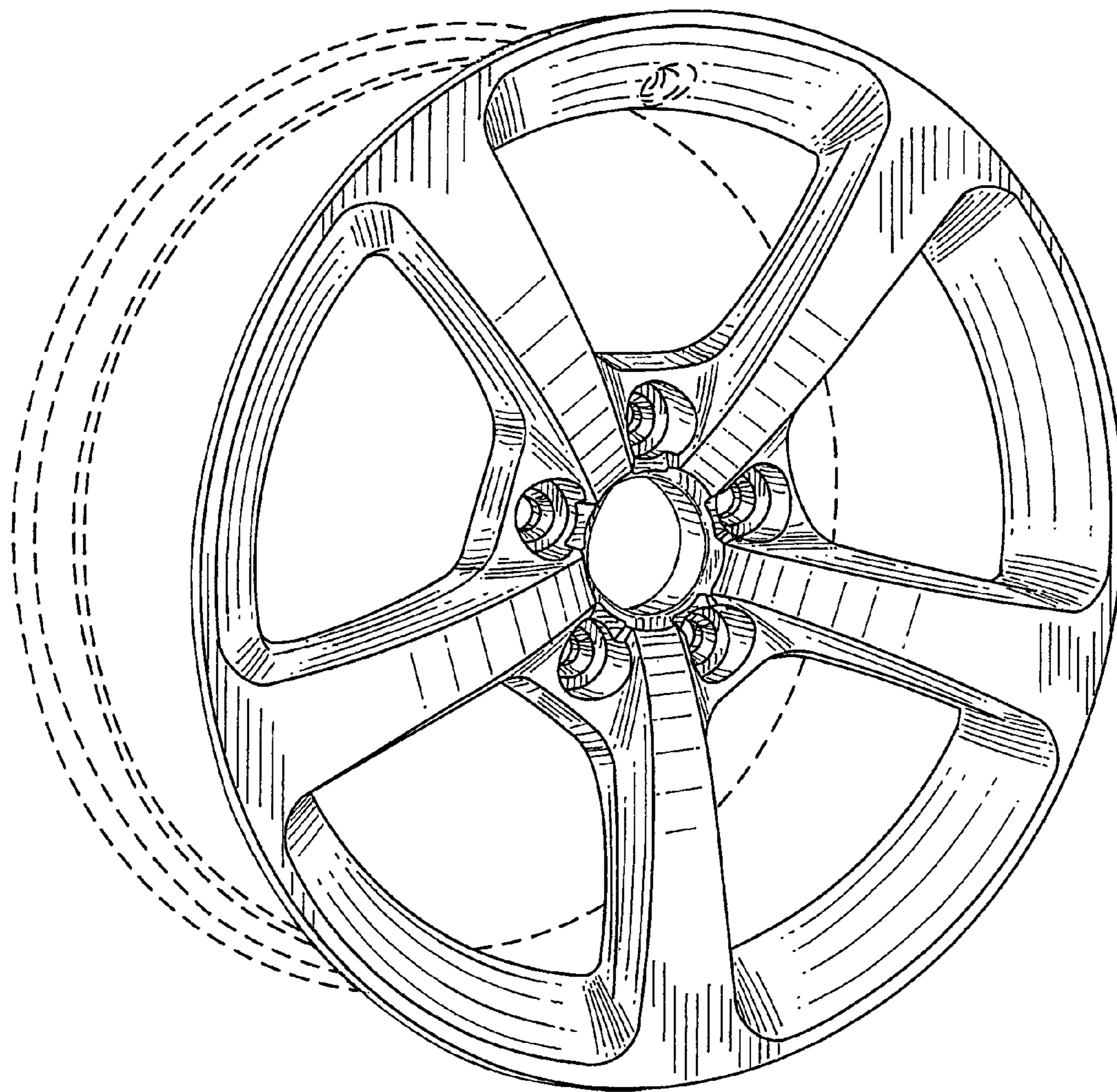


FIG. 1

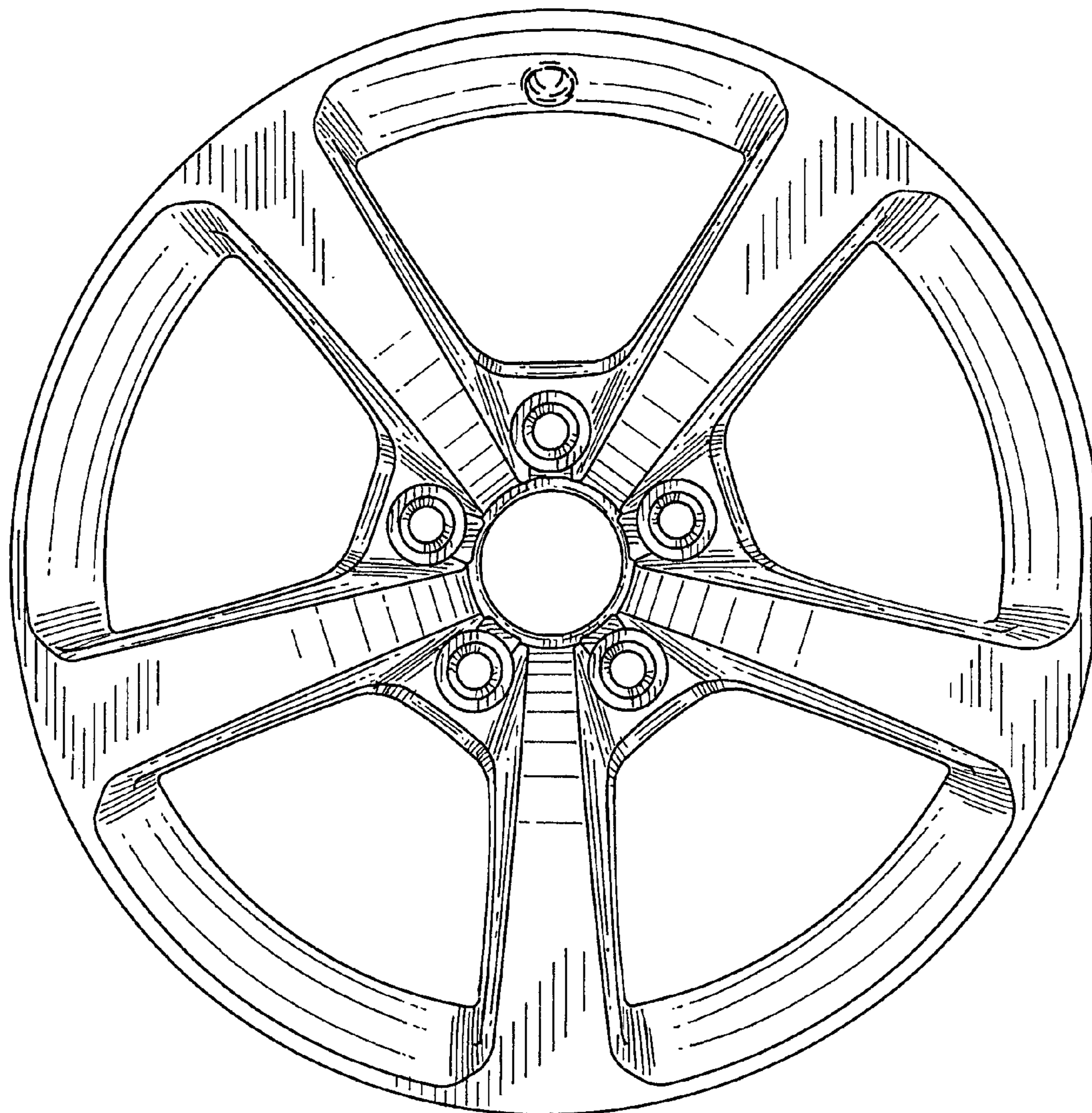


FIG. 2

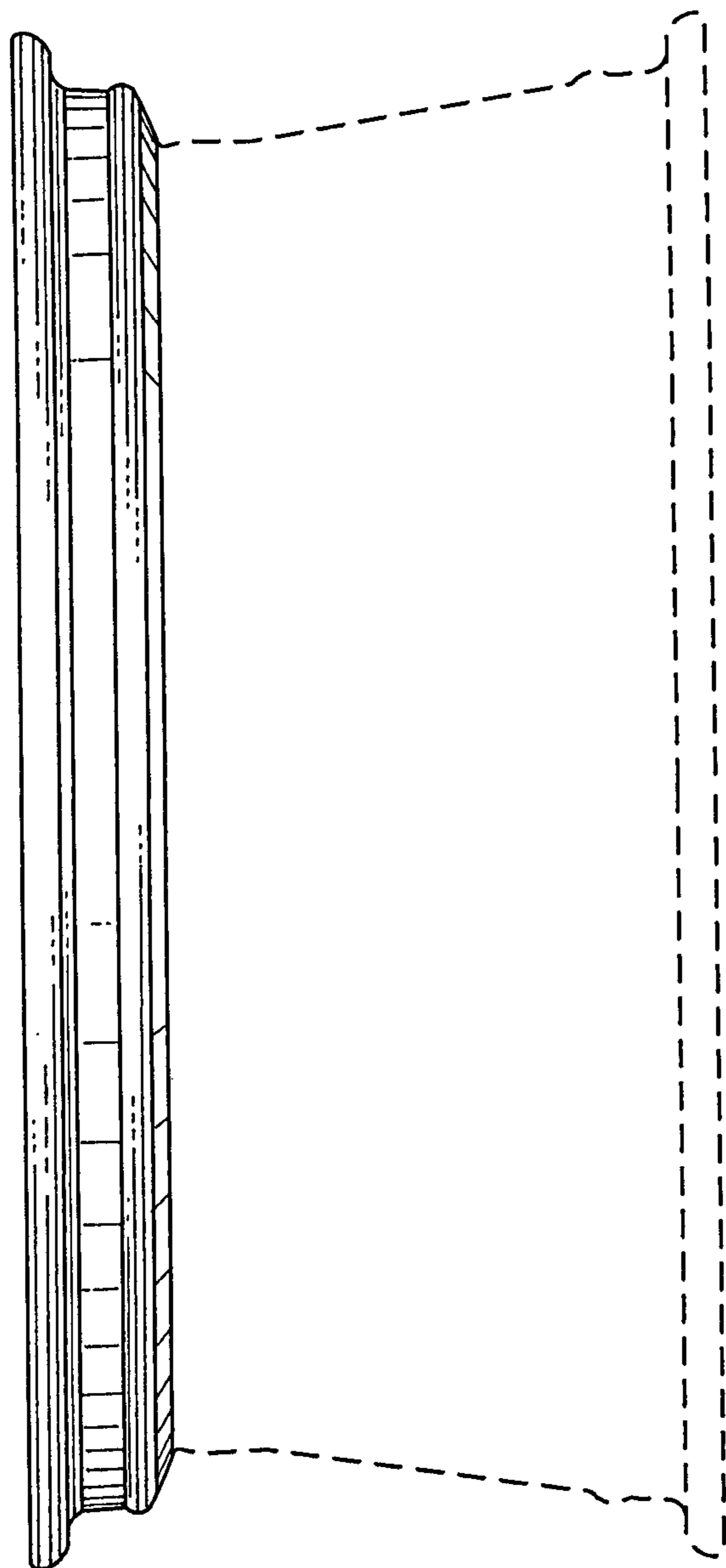


FIG. 3