



US00D735102S

(12) **United States Design Patent**
Swanseger

(10) **Patent No.:** **US D735,102 S**
(45) **Date of Patent:** **** Jul. 28, 2015**

(54) **VEHICLE WHEEL**

(71) Applicant: **GM Global Technology Operations LLC**, Detroit, MI (US)

(72) Inventor: **Casey Swanseger**, Lake Orion, MI (US)

(73) Assignee: **GM GLOBAL TECHNOLOGY OPERATIONS LLC**, Detroit, MI (US)

(**) Term: **14 Years**

(21) Appl. No.: **29/441,621**

(22) Filed: **Jan. 8, 2013**

(51) **LOC (10) Cl.** **12-16**

(52) **U.S. Cl.**
USPC **D12/209**

(58) **Field of Classification Search**
USPC D12/204–213
CPC B60B 7/00; B60B 7/02; B60B 7/04;
B60B 7/01; B60B 7/06; B60B 3/02; B60B
3/04; B60B 3/06; B60B 3/10; B60B 1/00;
B60B 1/08; B60B 1/10; B60B 1/12
See application file for complete search history.

(56) **References Cited**

U.S. PATENT DOCUMENTS

D466,853 S * 12/2002 Maifrini D12/211
D478,307 S * 8/2003 Maifrini D12/211
D520,433 S * 5/2006 Hosoi D12/211
D527,334 S * 8/2006 Hettler D12/211

D530,258 S * 10/2006 Schell D12/211
D573,081 S * 7/2008 Kim et al. D12/211
D589,428 S * 3/2009 Scheu D12/211
D596,549 S * 7/2009 Varga D12/211
D615,018 S * 5/2010 Truebsbach D12/211
D620,417 S * 7/2010 Gallert D12/209
D620,424 S * 7/2010 Gallert D12/211
D620,873 S * 8/2010 Groom D12/211
D625,235 S * 10/2010 Nissl D12/209
D651,550 S * 1/2012 Elmitt D12/209
D654,843 S * 2/2012 Futschik et al. D12/211
D660,763 S * 5/2012 Chan D12/209
D671,473 S * 11/2012 Zurian D12/209
D680,482 S * 4/2013 Gruner D12/209

* cited by examiner

Primary Examiner — Stacia Cadmus

(74) *Attorney, Agent, or Firm* — Mickki D. Murray; Parks Wood LLC

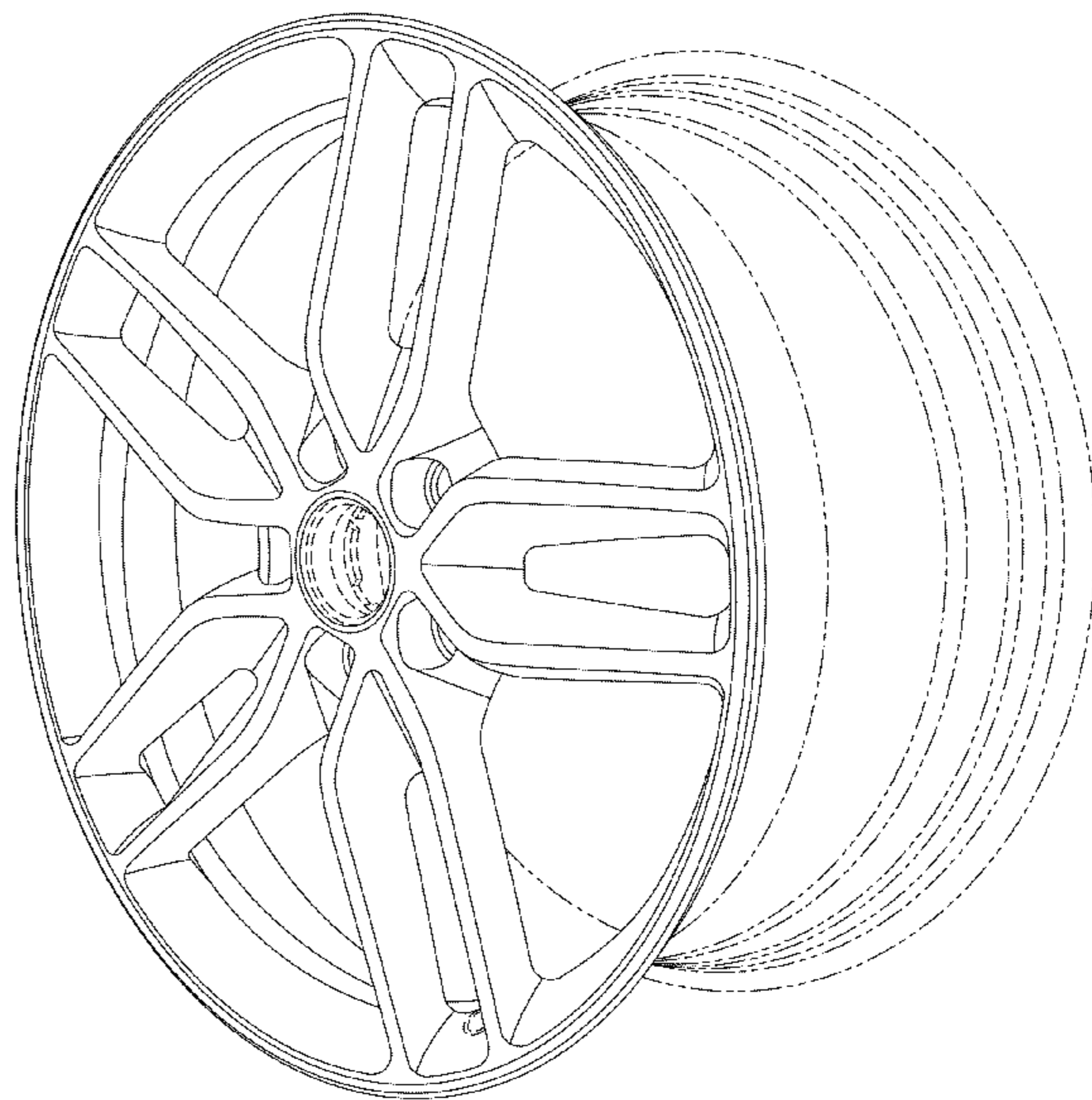
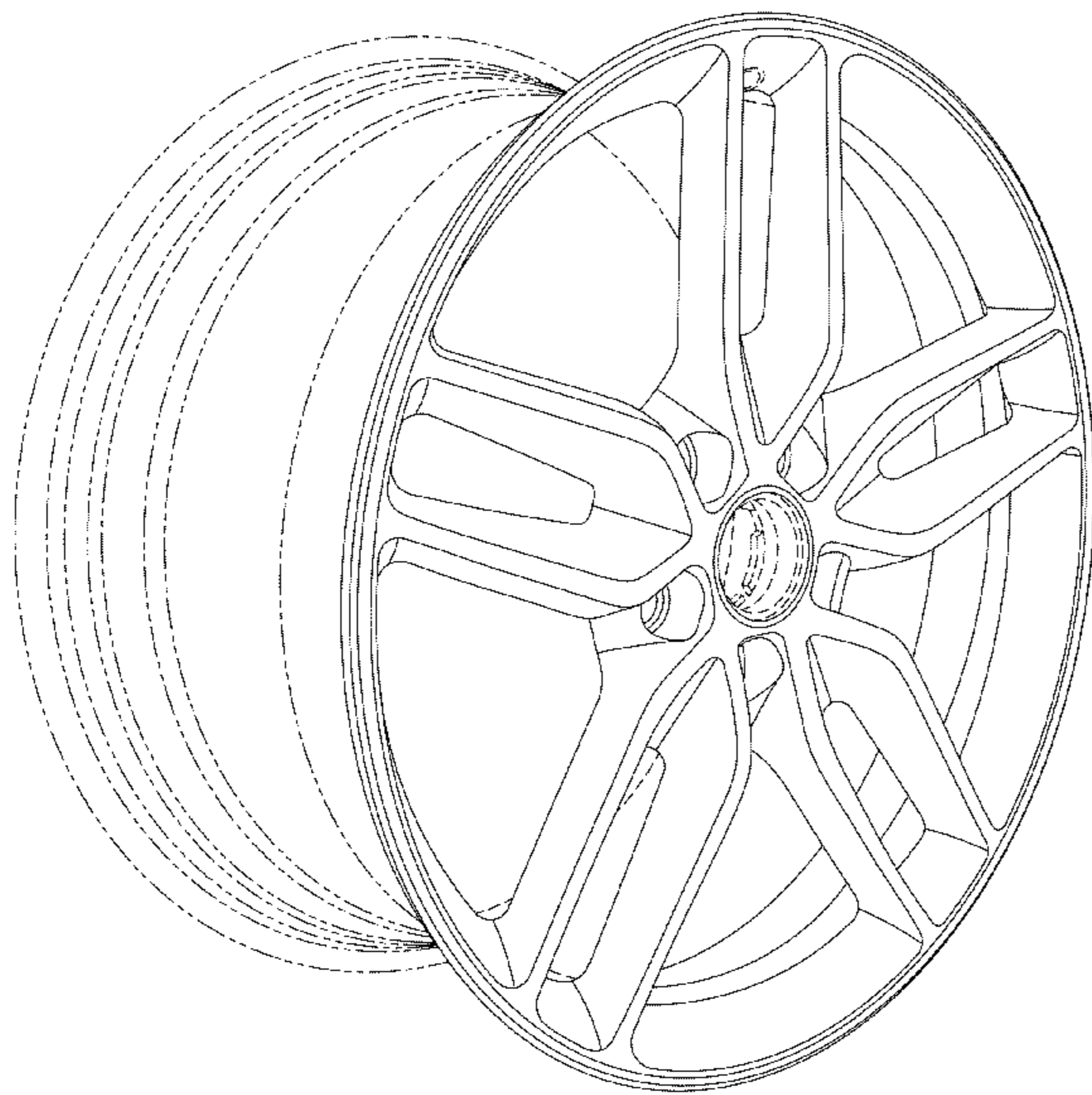
(57) **CLAIM**

The ornamental design for a vehicle wheel, as shown and described.

DESCRIPTION

FIG. 1 is a perspective view of a vehicle wheel, from a first vantage, showing the new design;
FIG. 2 is a perspective view of a vehicle wheel, from a second vantage, thereof;
FIG. 3 is a front view, thereof; and,
FIG. 4 is a rear view, thereof.
In the figures, features shown by broken lines are for illustrative purposes only and form no part of the claimed design.

1 Claim, 4 Drawing Sheets



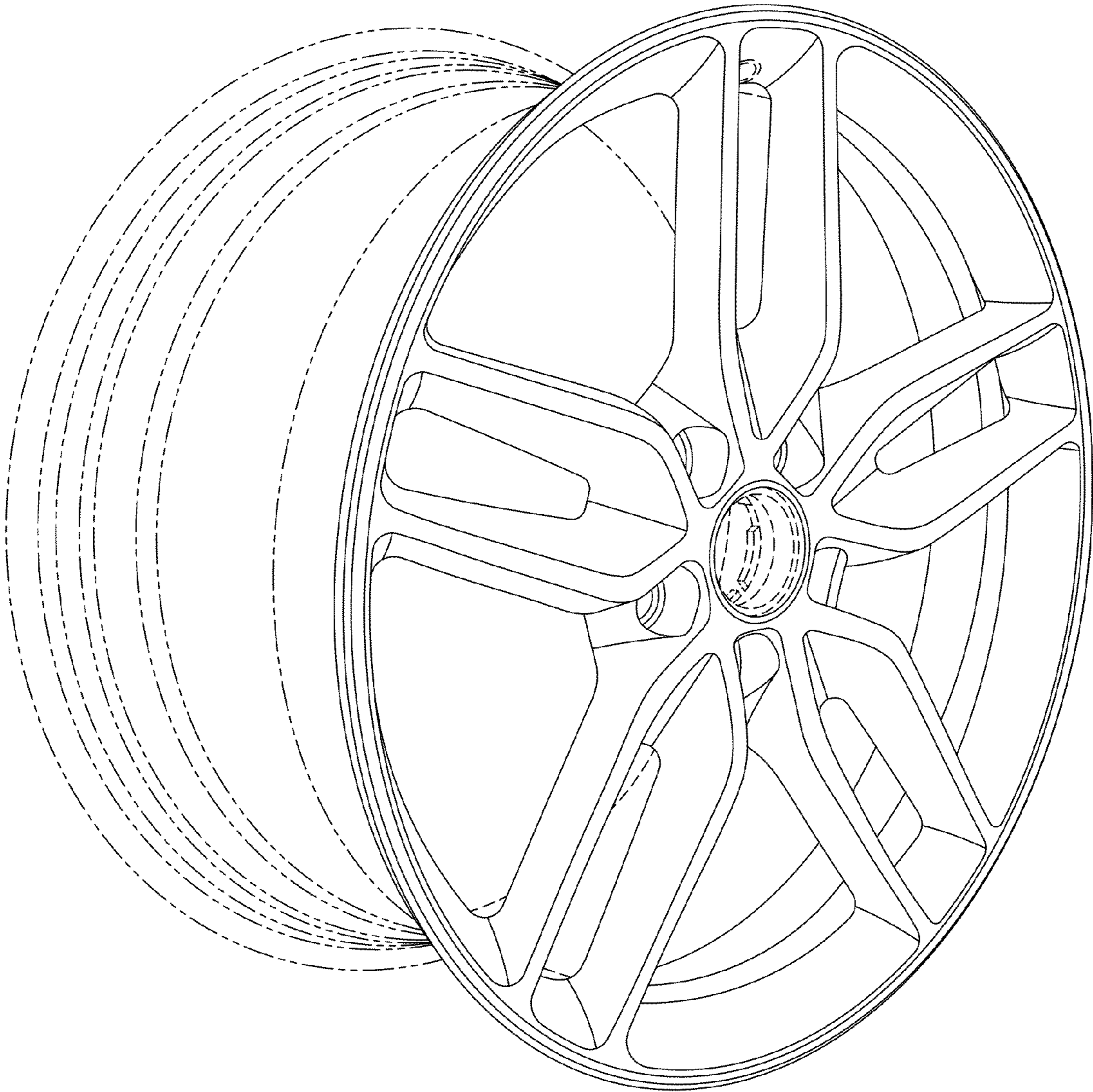


Fig-1

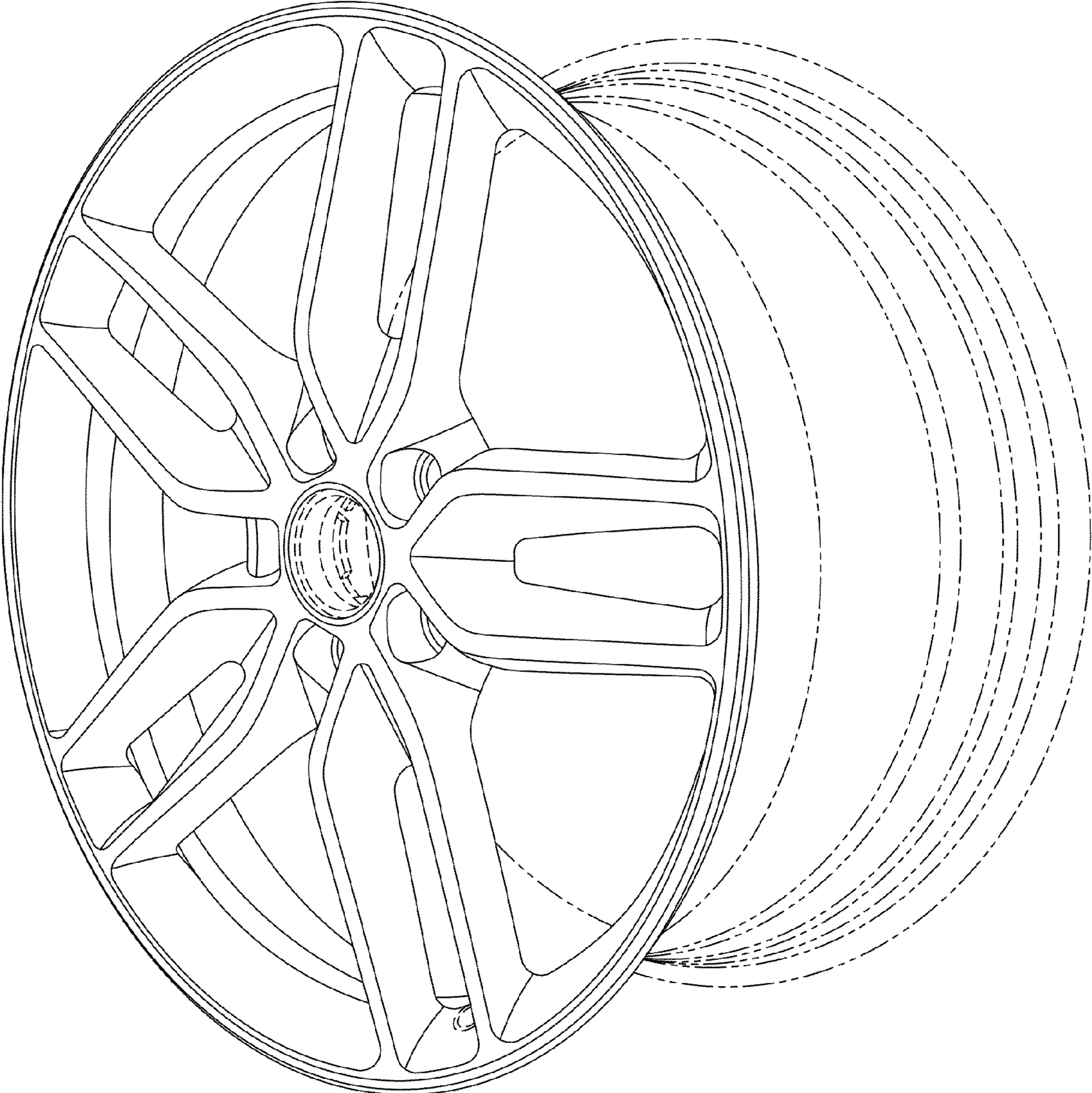


Fig-2

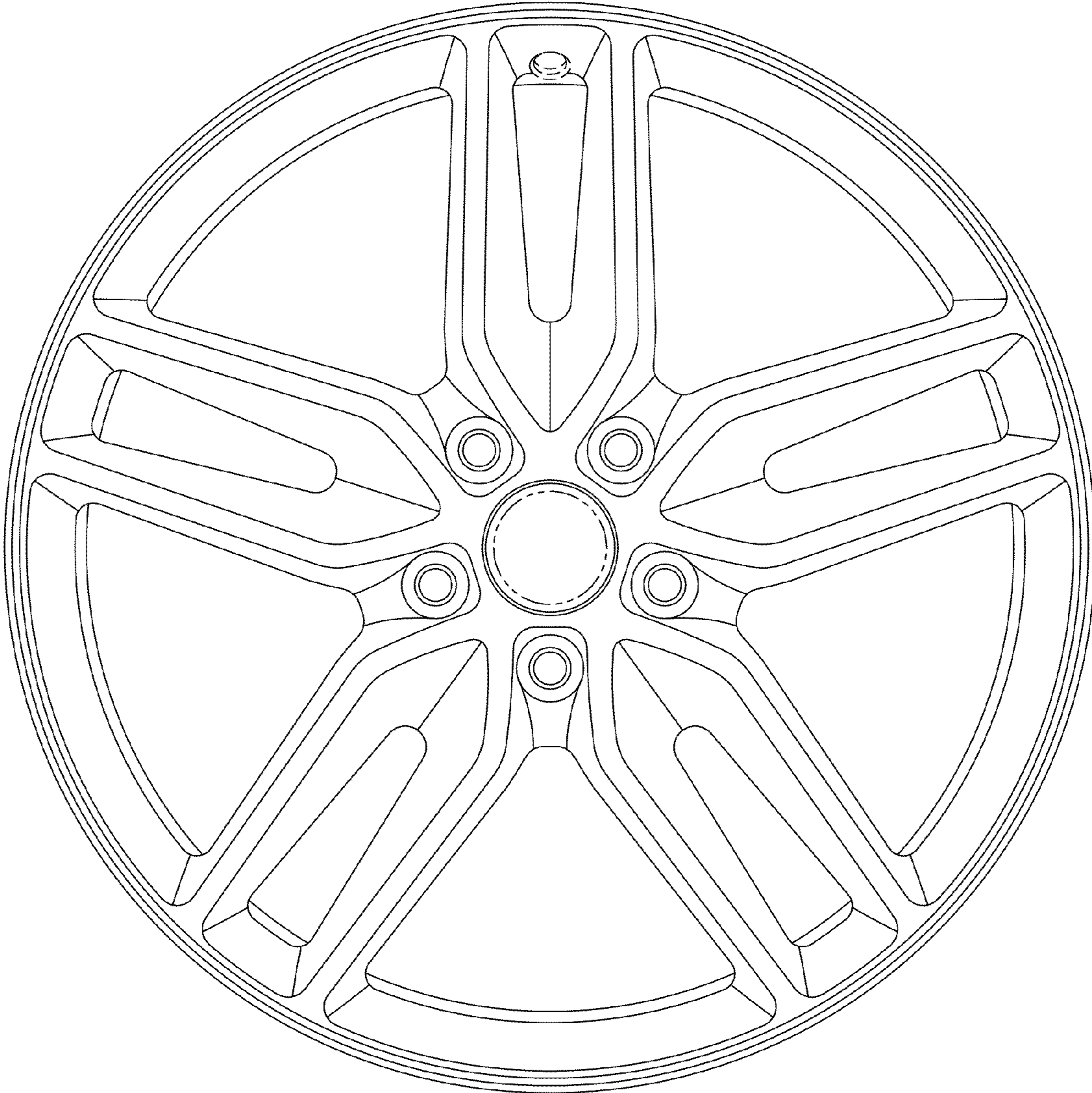


Fig-3

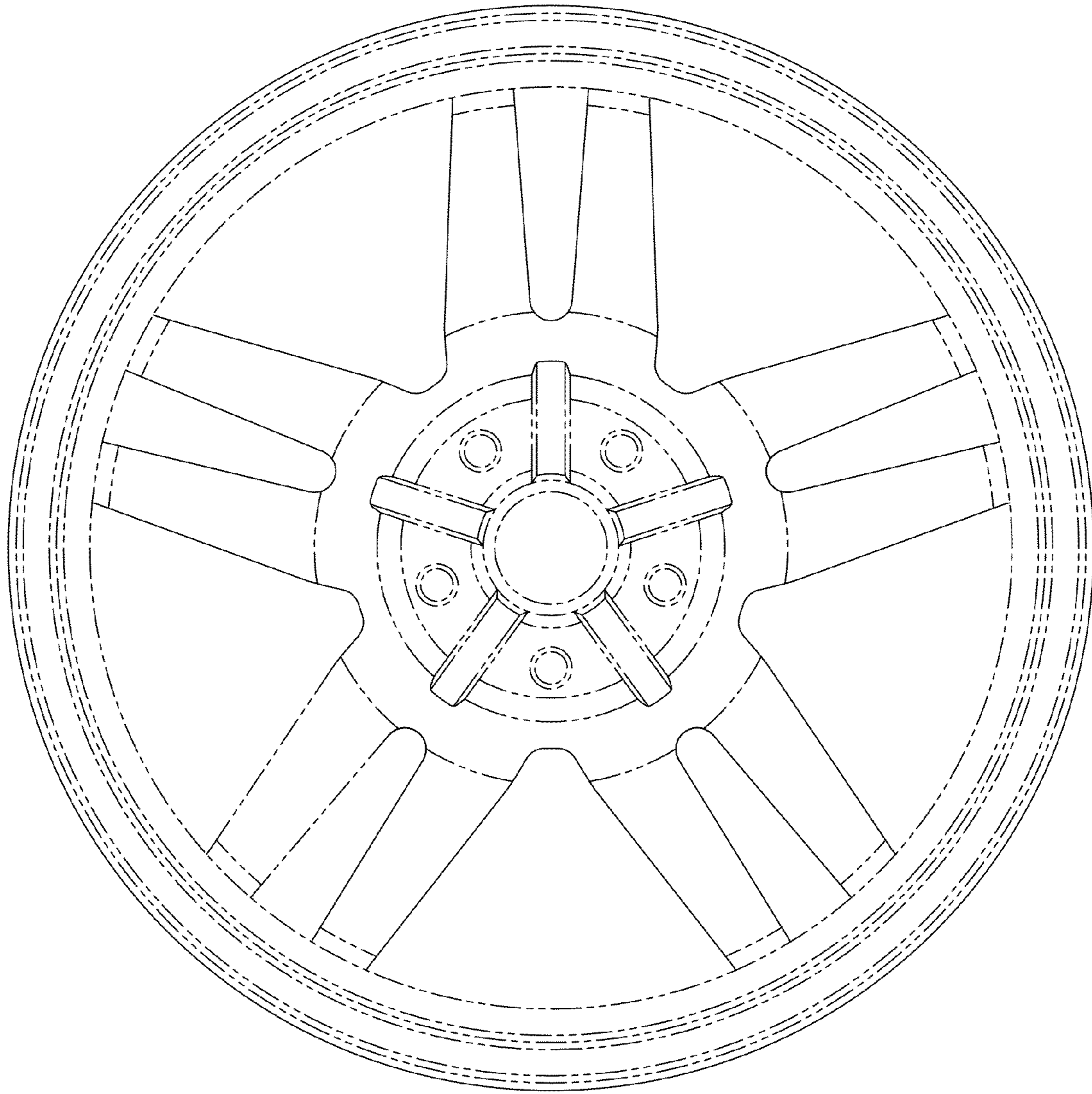


Fig-4