



US00D735096S

(12) **United States Design Patent**
Nissl

(10) **Patent No.:** **US D735,096 S**
(45) **Date of Patent:** **** Jul. 28, 2015**

(54) **FRONT BUMPER FOR A VEHICLE**
(71) Applicant: **Bayerische Motoren Werke
Aktiengesellschaft, Munich (DE)**
(72) Inventor: **Florian Dieter Nissl, Munich (DE)**
(73) Assignee: **Bayerische Motoren Werke
Aktiengesellschaft, Munich (DE)**

D669,402 S * 10/2012 Elmitt D12/169
D670,625 S * 11/2012 Frei et al. D12/169
D675,139 S * 1/2013 Yamamoto et al. D12/169
D678,141 S * 3/2013 Behmer et al. D12/169
D687,356 S * 8/2013 Weil D12/169
D692,811 S * 11/2013 Johnson D12/169
D702,160 S * 4/2014 Miyazawa D12/169
D712,799 S * 9/2014 Kang D12/169
D713,767 S * 9/2014 Selvaag D12/169
D716,199 S * 10/2014 Beermann D12/169

(**) Term: **14 Years**
(21) Appl. No.: **29/498,812**
(22) Filed: **Aug. 8, 2014**

FOREIGN PATENT DOCUMENTS

EM 002016030-0004 4/2012
EM 002156745-0001 1/2013
EM 002401430-0001 2/2014

* cited by examiner

(30) **Foreign Application Priority Data**
Feb. 10, 2014 (DE) 40 2014 100 106

Primary Examiner — Melody N Brown
(74) *Attorney, Agent, or Firm* — Crowell & Moring LLP

(51) **LOC (10) Cl.** **12-16**
(52) **U.S. Cl.**
USPC **D12/169**

(57) **CLAIM**
The ornamental design for a front bumper for a vehicle, as shown and described.

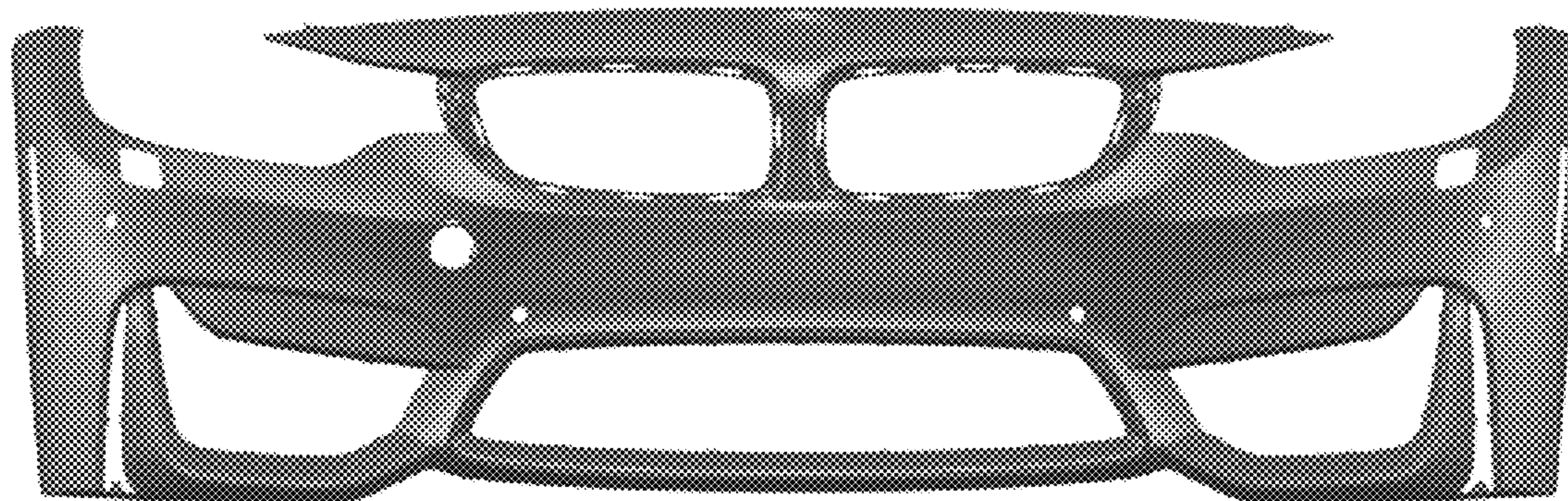
(58) **Field of Classification Search**
USPC D12/169, 216, 90-92, 86, 171, 196,
D12/163; 293/102, 113, 115, 117, 120;
296/180.1, 180.2
CPC B60R 19/02; B60R 19/04; B62D 25/08
See application file for complete search history.

DESCRIPTION

FIG. 1 is a front view of a front bumper for a vehicle according to the design;
FIG. 2 is a right perspective view thereof;
FIG. 3 is a left perspective view thereof;
FIG. 4 is a right side view thereof;
FIG. 5 is a left side view thereof;
FIG. 6 is a top view thereof;
FIG. 7 is a bottom view thereof; and,
FIG. 8 is a rear view thereof.

(56) **References Cited**
U.S. PATENT DOCUMENTS
D570,261 S * 6/2008 Baum D12/169
D606,465 S * 12/2009 Weil D12/169
D620,843 S * 8/2010 Froehlich D12/92

1 Claim, 8 Drawing Sheets



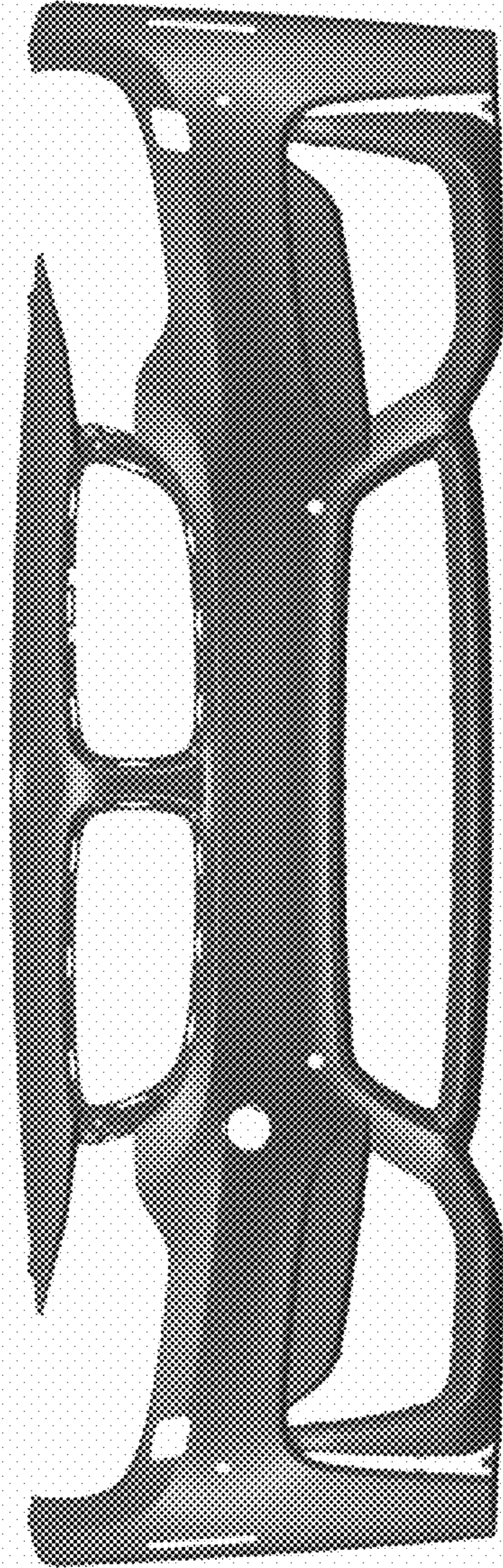


Fig. 1

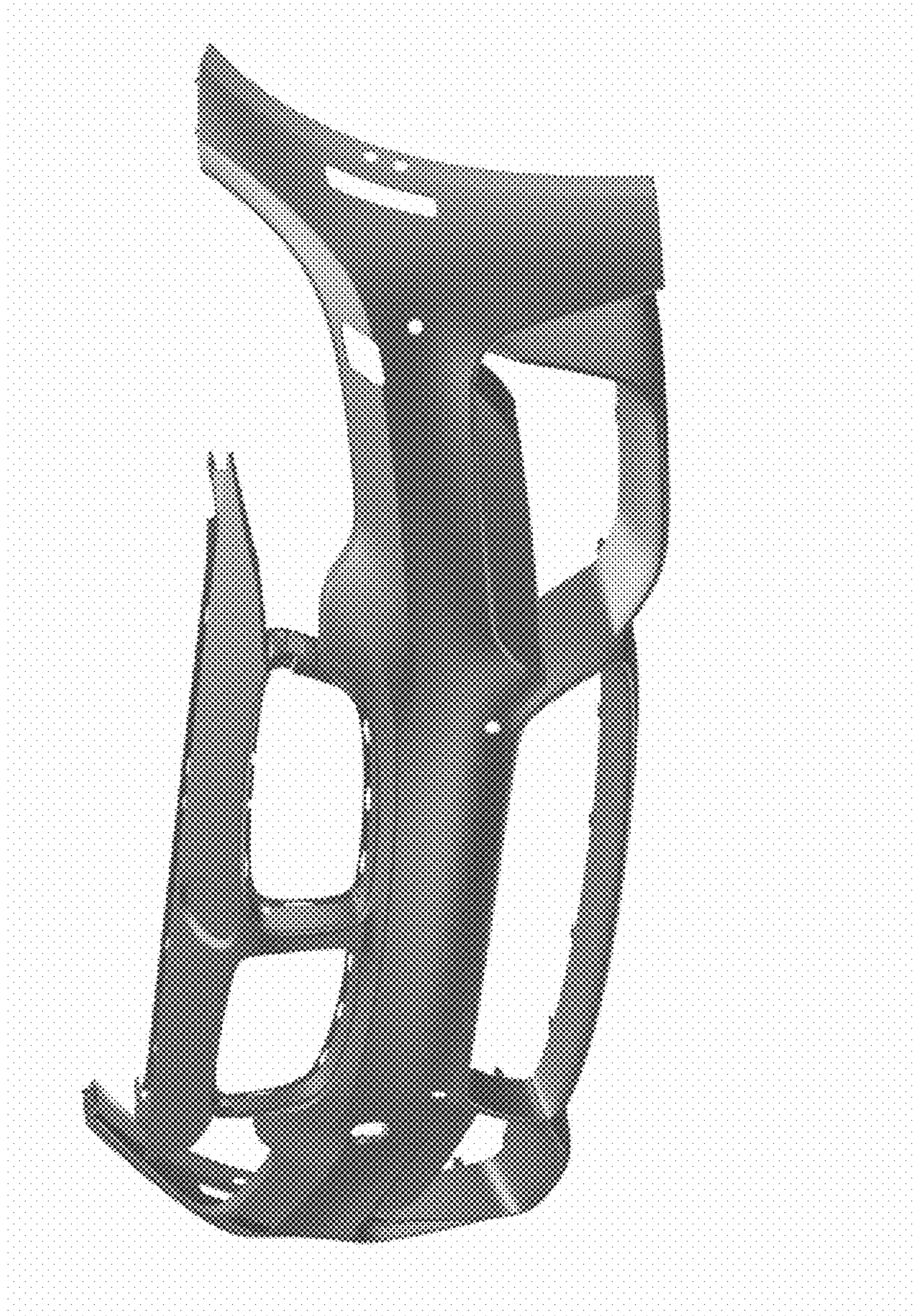


Fig. 2

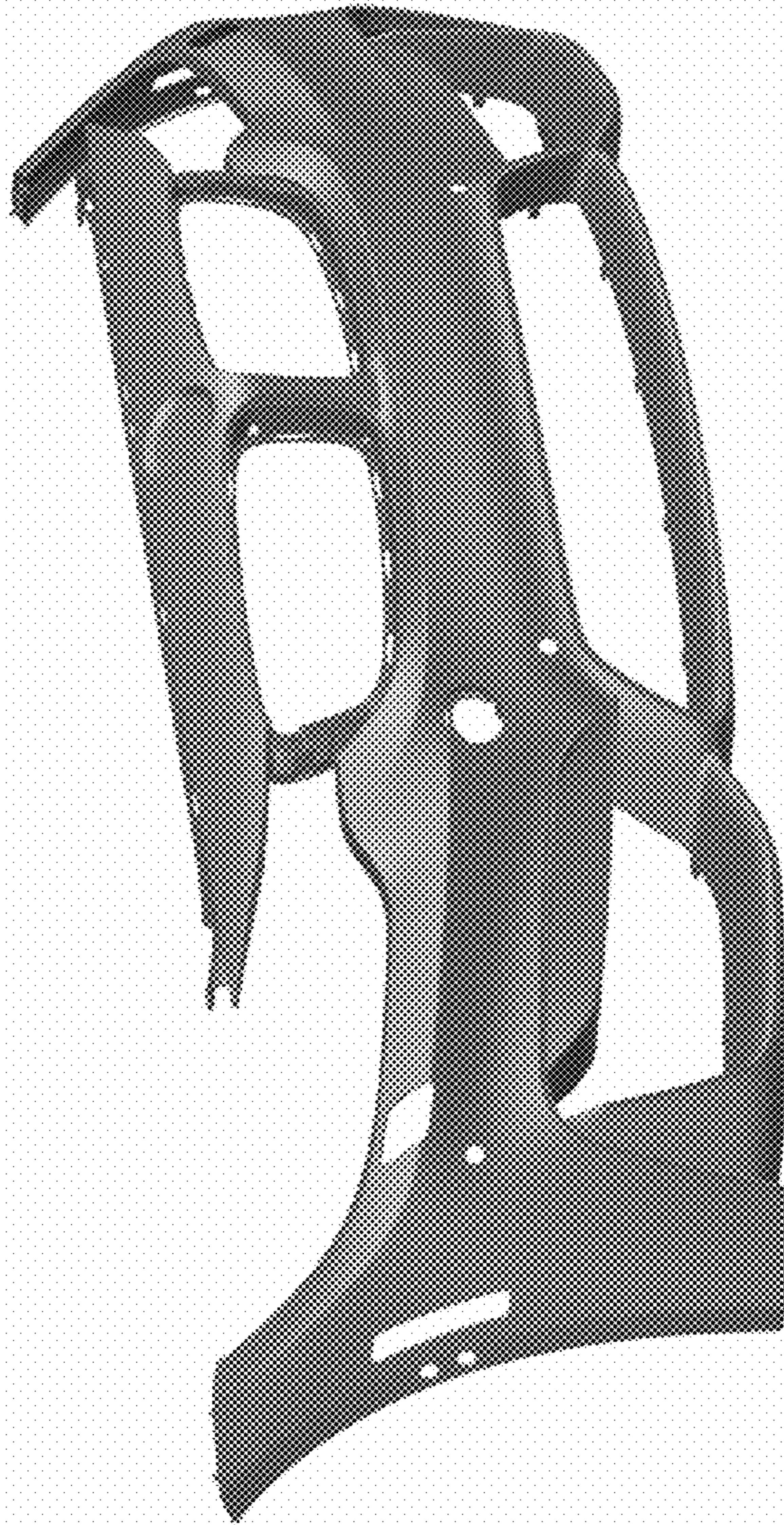


Fig. 3

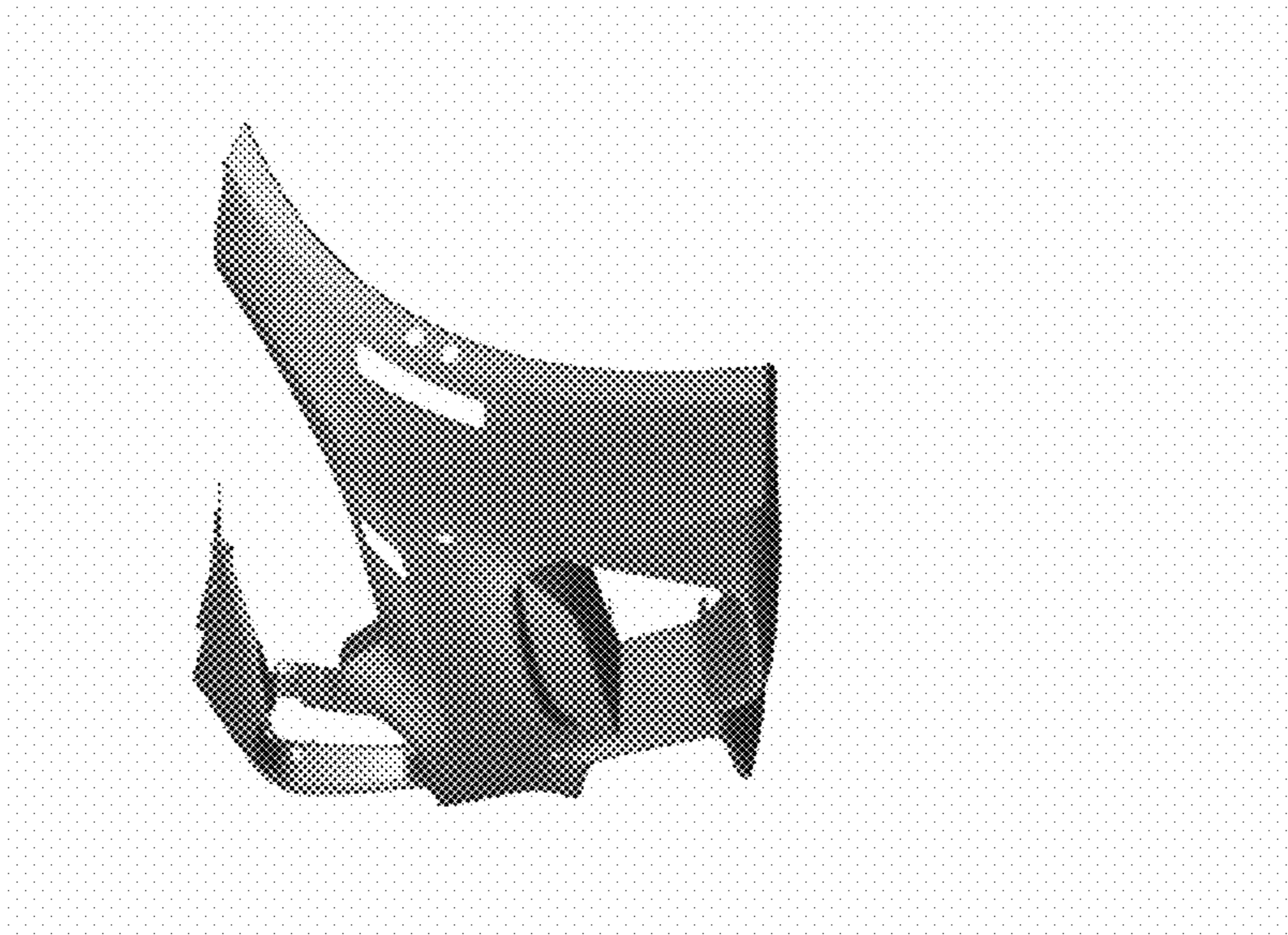


Fig. 4

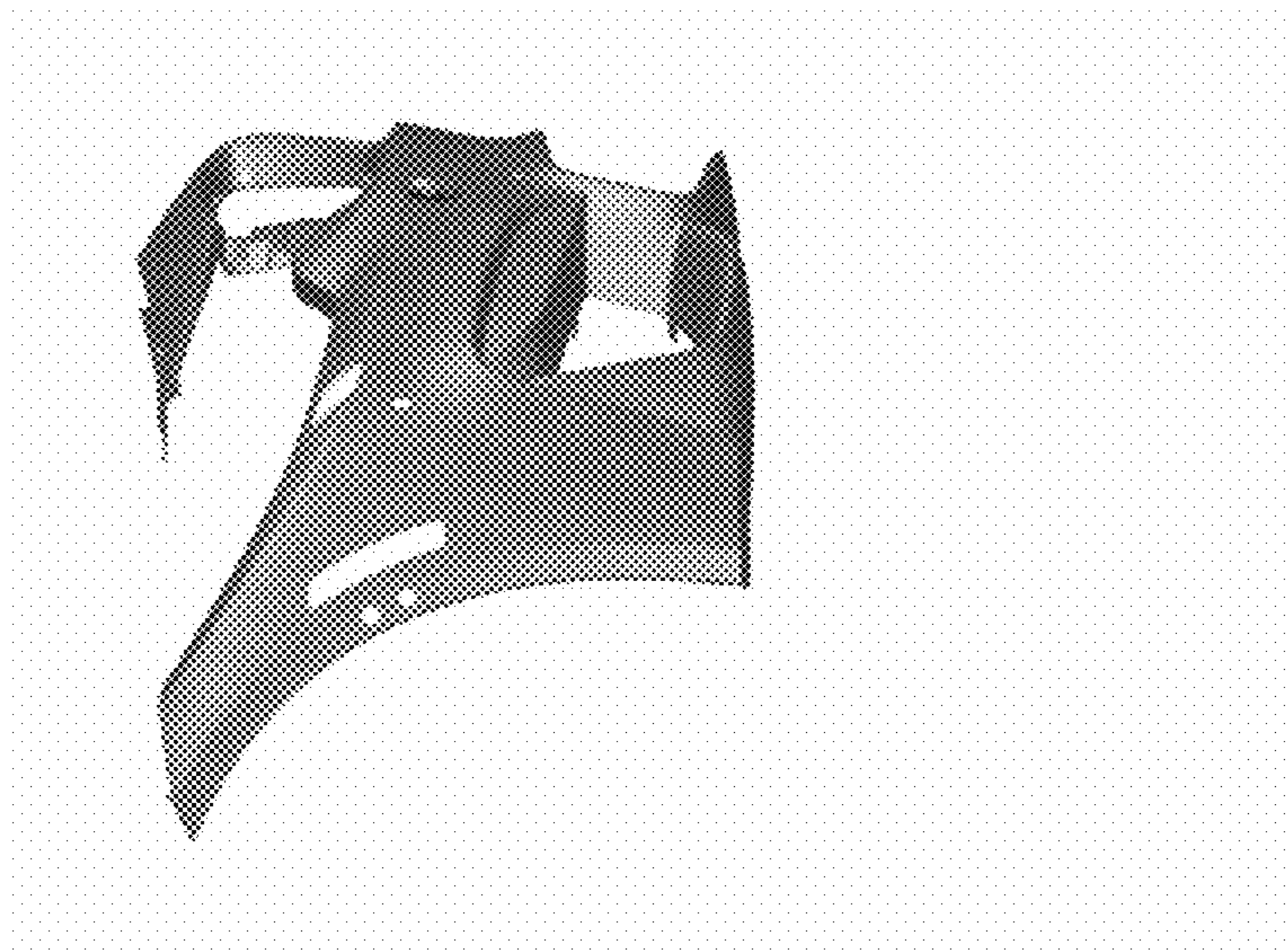


Fig. 5

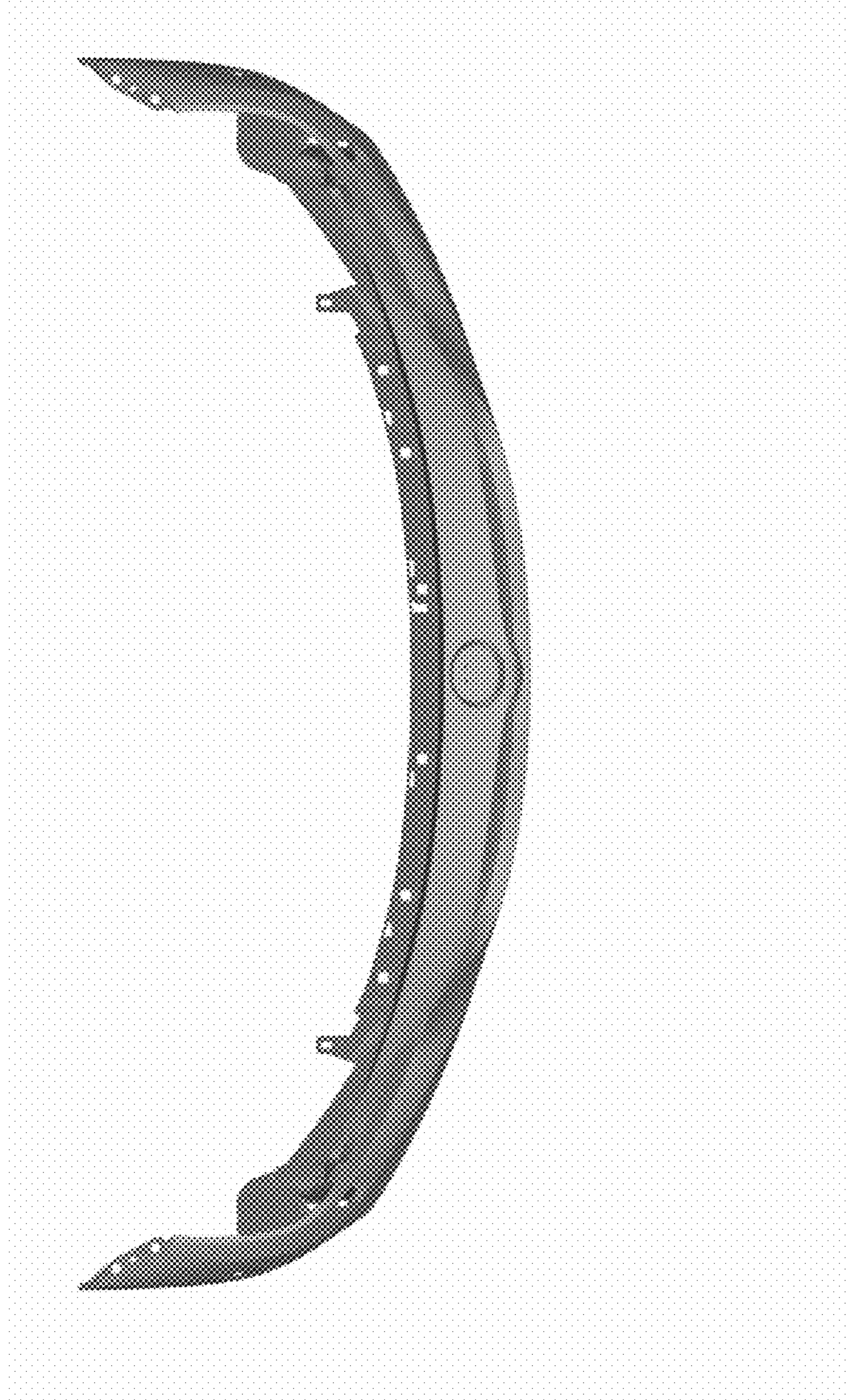


Fig. 6

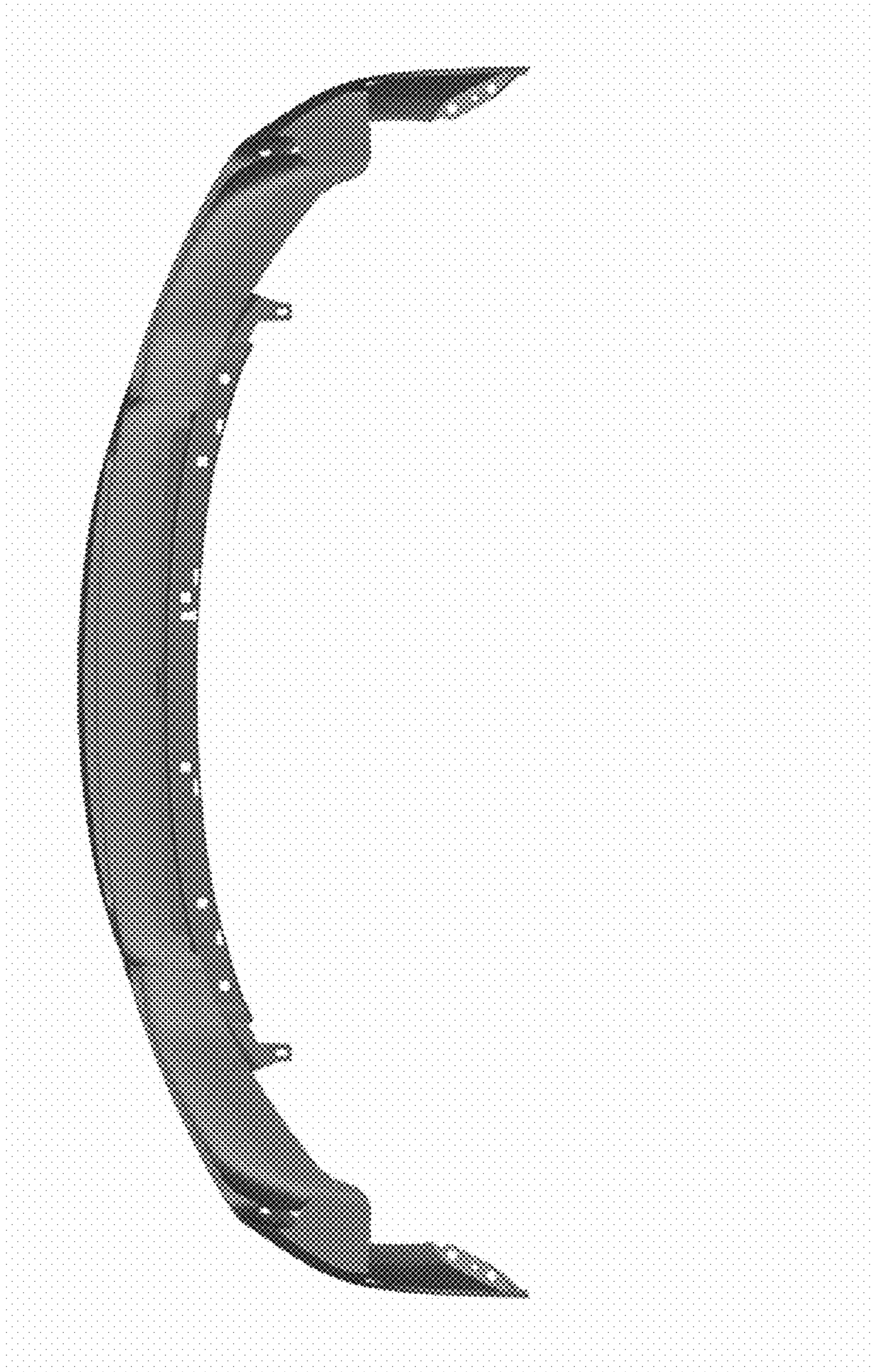


Fig. 7

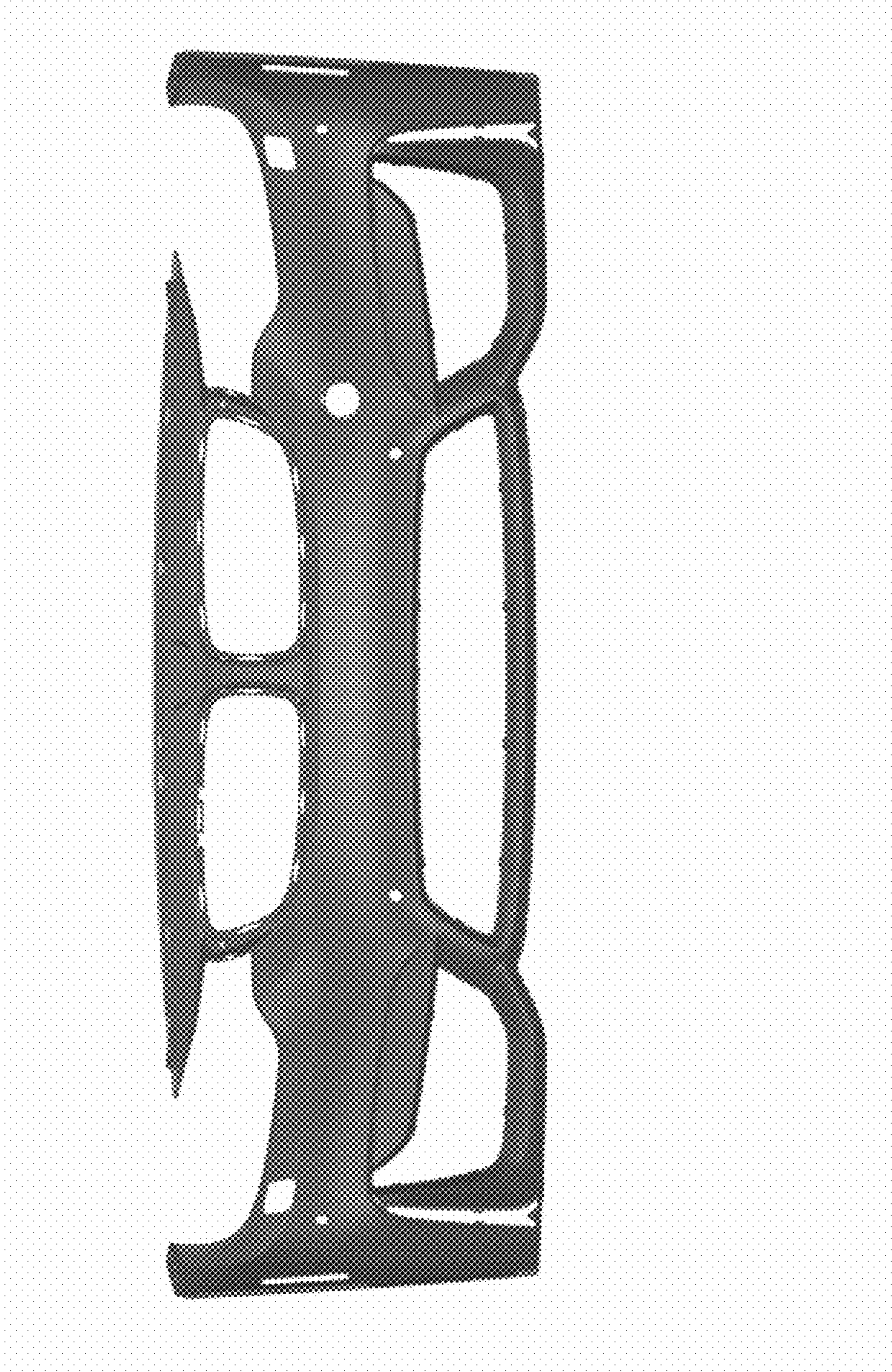


Fig. 8