



US00D735095S

(12) **United States Design Patent**
Kawasaki

(10) **Patent No.:** **US D735,095 S**
(45) **Date of Patent:** **** Jul. 28, 2015**

(54) **FRONT BUMPER FOR AUTOMOBILE**

FOREIGN PATENT DOCUMENTS

- (71) Applicant: **Nissan Motor Co., Ltd.**, Yokohama, Kanagawa (JP)
- (72) Inventor: **Kenji Kawasaki**, Tokyo (JP)
- (73) Assignee: **Nissan Motor Co., Ltd.**, Yokohama (JP)

EP	1736381	A1	*	12/2006	B60R 19/18
JP	D1181857	S		8/2003		
JP	D1227563	S		1/2005		
JP	2006088735	A	*	4/2006	B60R 19/18
JP	D1318266	S		12/2007		
JP	D1318603	S		1/2008		
JP	D1330123	S		5/2008		

(**) Term: **14 Years**

(Continued)

(21) Appl. No.: **29/494,307**

Primary Examiner — Philip S Hyder

(22) Filed: **Jun. 19, 2014**

Assistant Examiner — Darlington Ly

(51) **LOC (10) Cl.** **12-16**

(74) *Attorney, Agent, or Firm* — Global IP Counselors, LLP

(52) **U.S. Cl.**
USPC **D12/169**

(57) **CLAIM**

The ornamental design for a front bumper for an automobile, as shown and described.

(58) **Field of Classification Search**
USPC D12/86, 90, 91, 92, 163, 164, 169, 171, 180/68.4, 68.6; 293/102, 293/112, 113, 115, 117, 120; 296/180.1, 296/180.2

DESCRIPTION

See application file for complete search history.

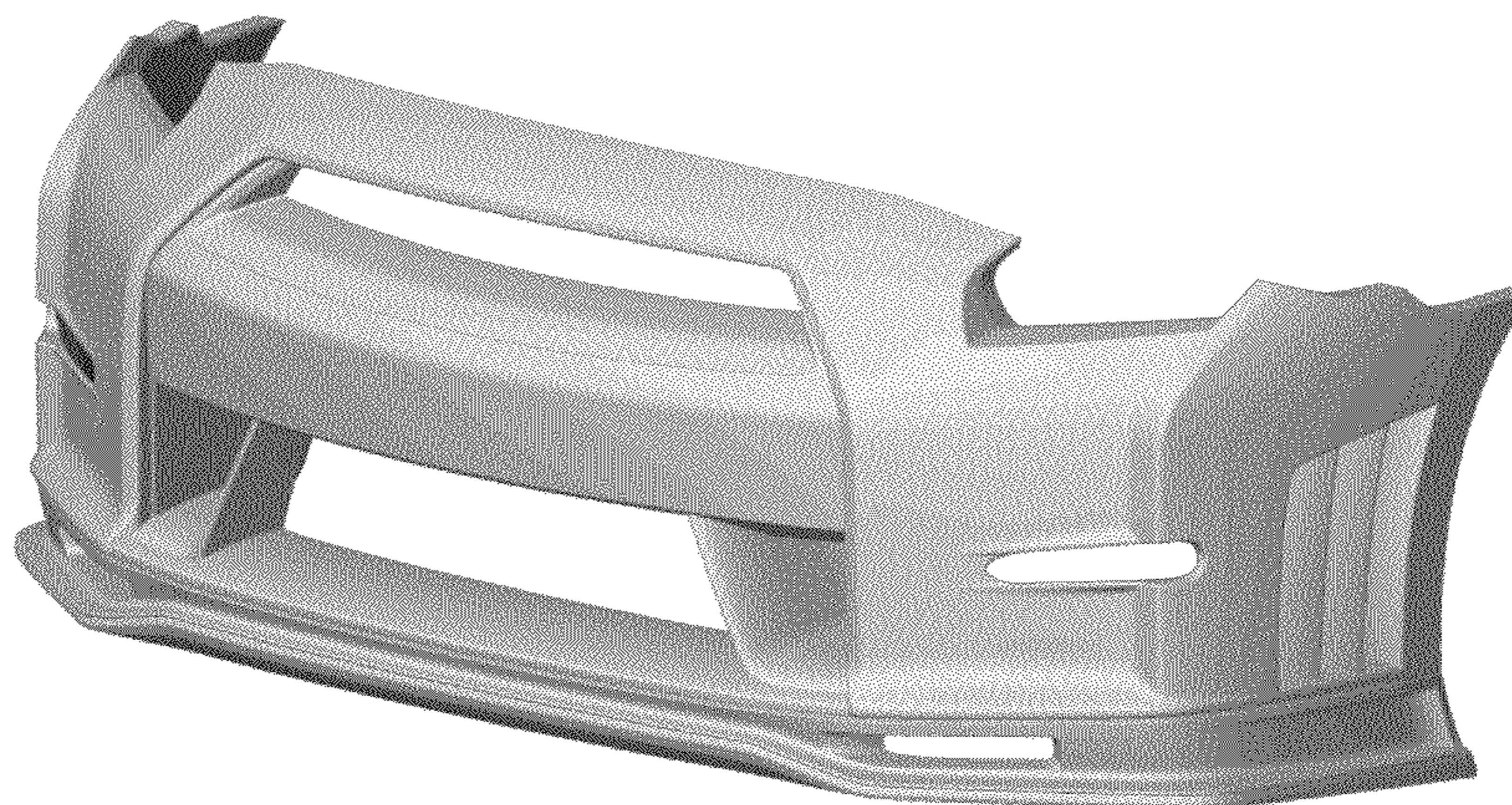
FIG. 1 is a front elevational view of a front bumper for an automobile in accordance with my new design;
 FIG. 2 is a top plan view of the front bumper in accordance with my new design of FIG. 1;
 FIG. 3 is a bottom plan view of the front bumper in accordance with my new design of FIGS. 1 to 2;
 FIG. 4 is a left side elevational view of the front bumper in accordance with my new design of FIGS. 1 to 3;
 FIG. 5 is a right side elevational view of the front bumper in accordance with my new design of FIGS. 1 to 4;
 FIG. 6 is a front, right and top side perspective view of the front bumper in accordance with my new design of FIGS. 1 to 5; and,
 FIG. 7 is a front, left and bottom side perspective view of the front bumper in accordance with my new design of FIGS. 1 to 6.
 The rear view of the front bumper forms no part of the claimed design.

(56) **References Cited**

U.S. PATENT DOCUMENTS

D626,473	S	*	11/2010	Mueller	D12/169
D633,013	S	*	2/2011	Bauer et al.	D12/169
D634,680	S		3/2011	Iida		
D637,945	S	*	5/2011	Nakagawa	D12/169
D638,759	S		5/2011	Nakagawa		
D643,350	S	*	8/2011	Furst	D12/169
D647,010	S	*	10/2011	Karras et al.	D12/169
D656,871	S	*	4/2012	Fetherston et al.	D12/169
D668,189	S	*	10/2012	Gifford	D12/169
D675,139	S	*	1/2013	Yamamoto et al.	D12/169
D691,526	S	*	10/2013	Uchino	D12/169
D699,166	S	*	2/2014	Abe et al.	D12/169
D703,118	S	*	4/2014	Gueler et al.	D12/169
2013/0076074	A1	*	3/2013	Hirose et al.	296/193.1
2013/0107046	A1	*	5/2013	Forgue	348/148

1 Claim, 7 Drawing Sheets



(56)

References Cited

FOREIGN PATENT DOCUMENTS

JP D1338797 S 9/2008
JP D1423454 S 9/2011
JP D1426517 S 11/2011
JP D1426524 S 11/2011
JP 2012158329 A * 8/2012 B60R 19/18
JP D1451047 S 12/2012
JP 2013023058 A * 2/2013 B60R 19/18
JP D1445648 S 7/2013
JP D1479614 S 9/2013
JP D1479632 S 9/2013
JP D1442575 S 5/2014

JP D1497418 S 5/2014
JP D1499096 S 6/2014
JP D1499097 S 6/2014
JP D1500465 S 6/2014
JP D1500693 S 6/2014
JP D1504015 S 8/2014
JP D1504409 S 8/2014
JP D1509062 S 10/2014
JP D1509065 S 10/2014
JP D1509069 S 10/2014
JP D1511273 S 11/2014
JP D1518518 S 3/2015
JP D1519224 S 3/2015

* cited by examiner

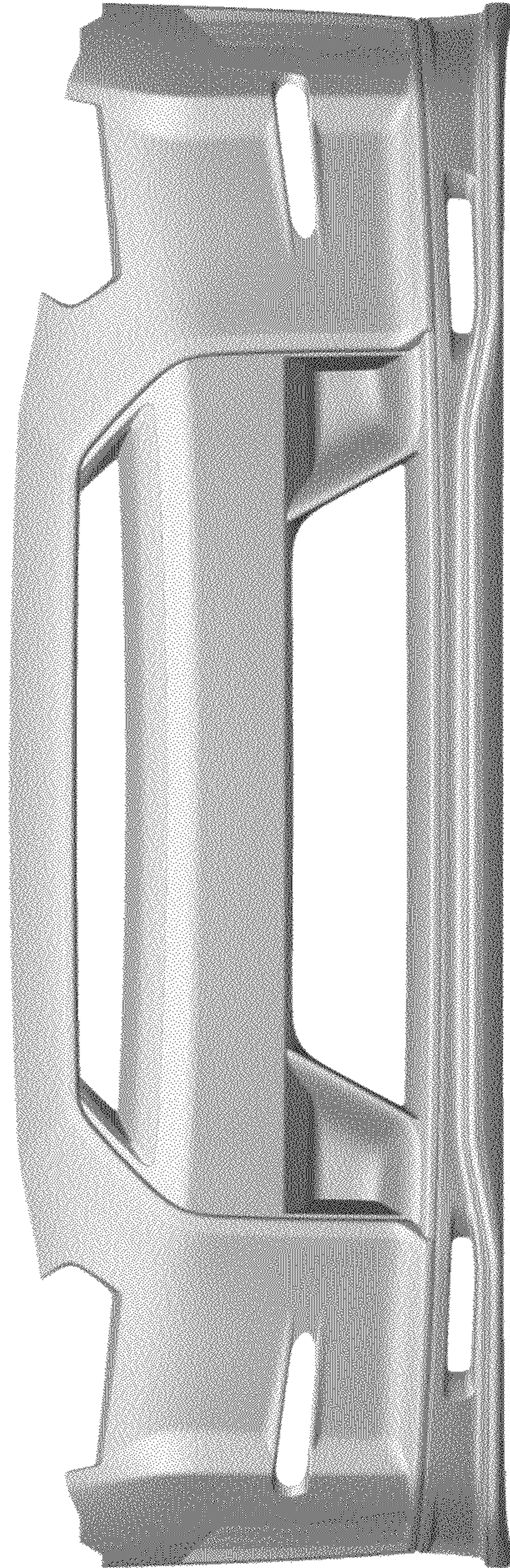


FIG. 1

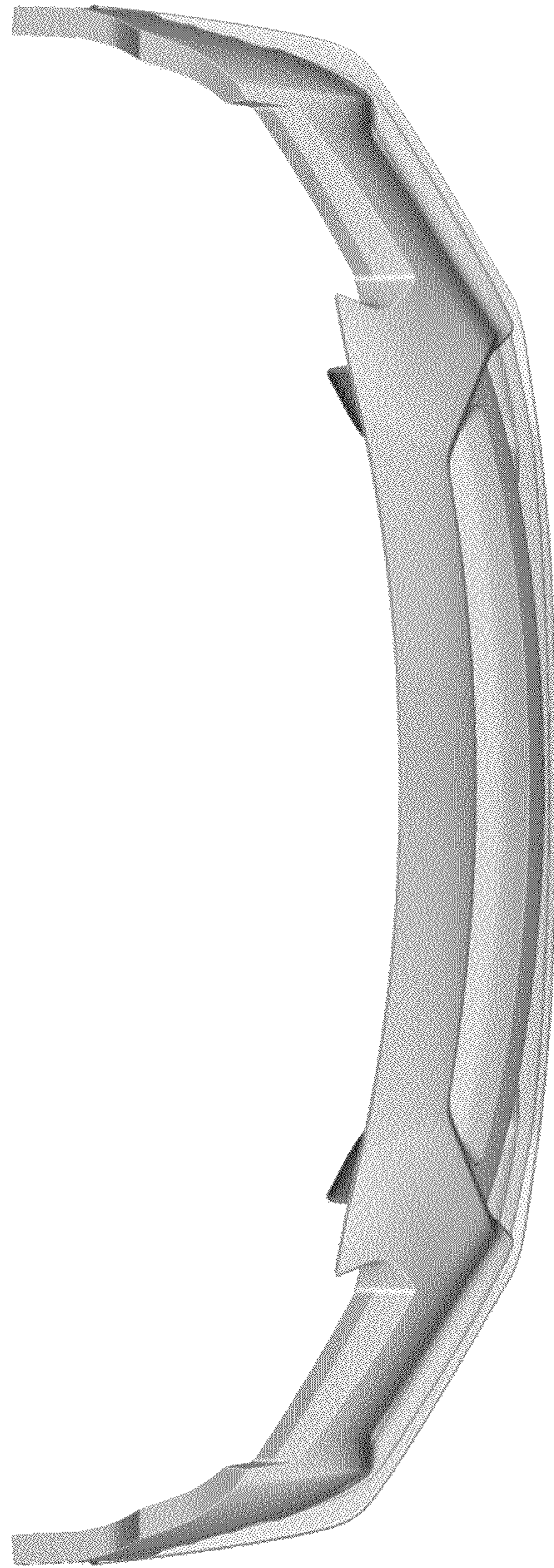


FIG. 2

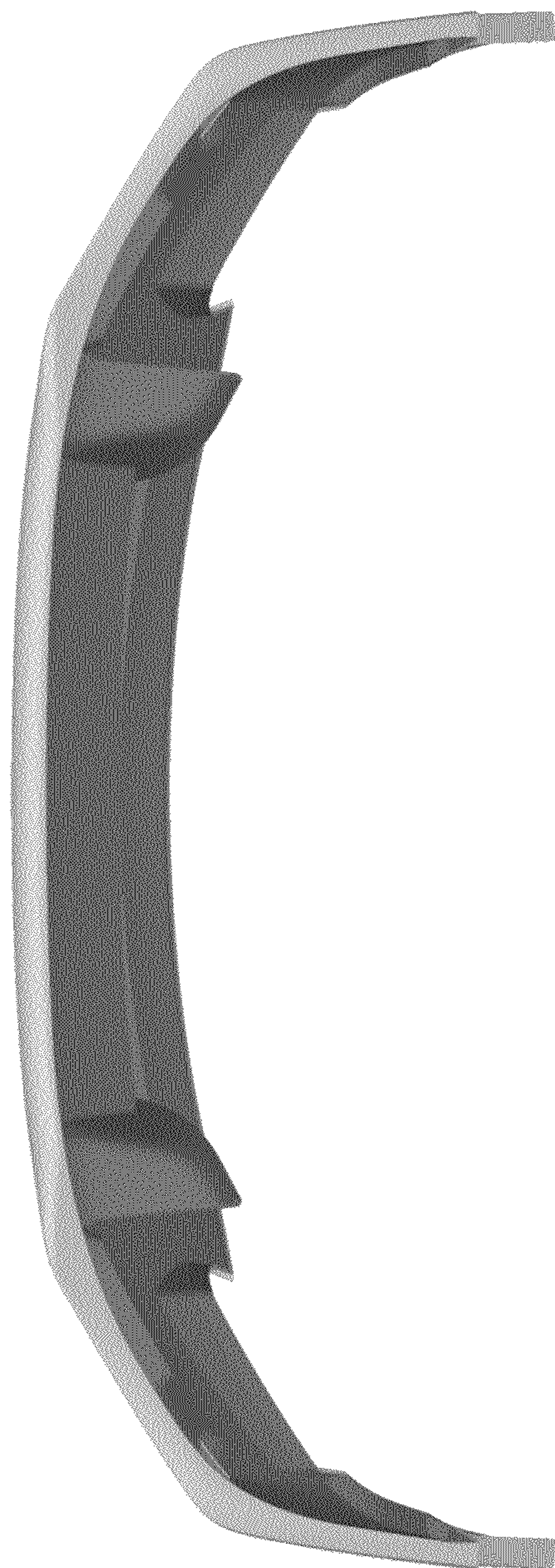


FIG. 3

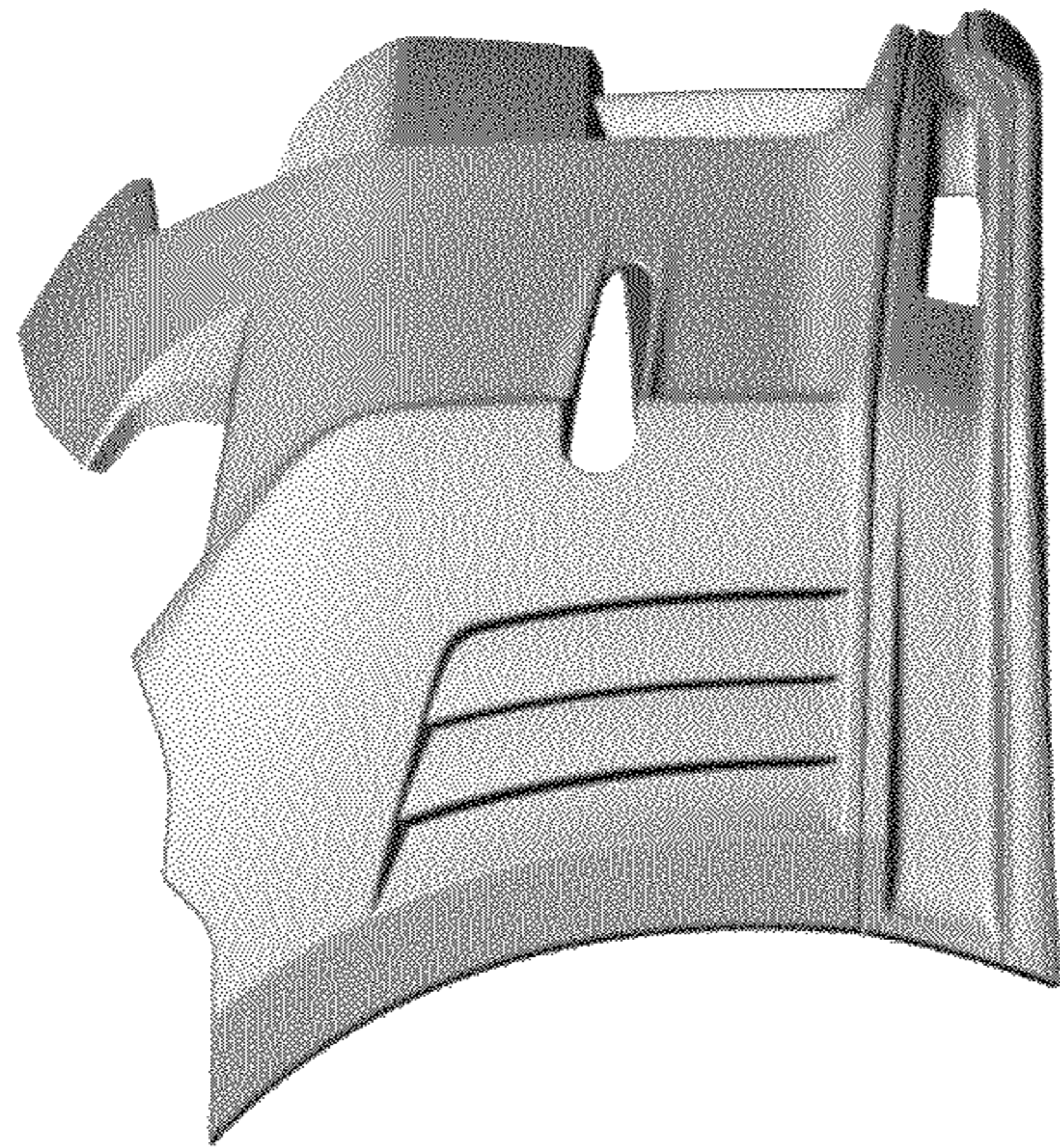


FIG. 4

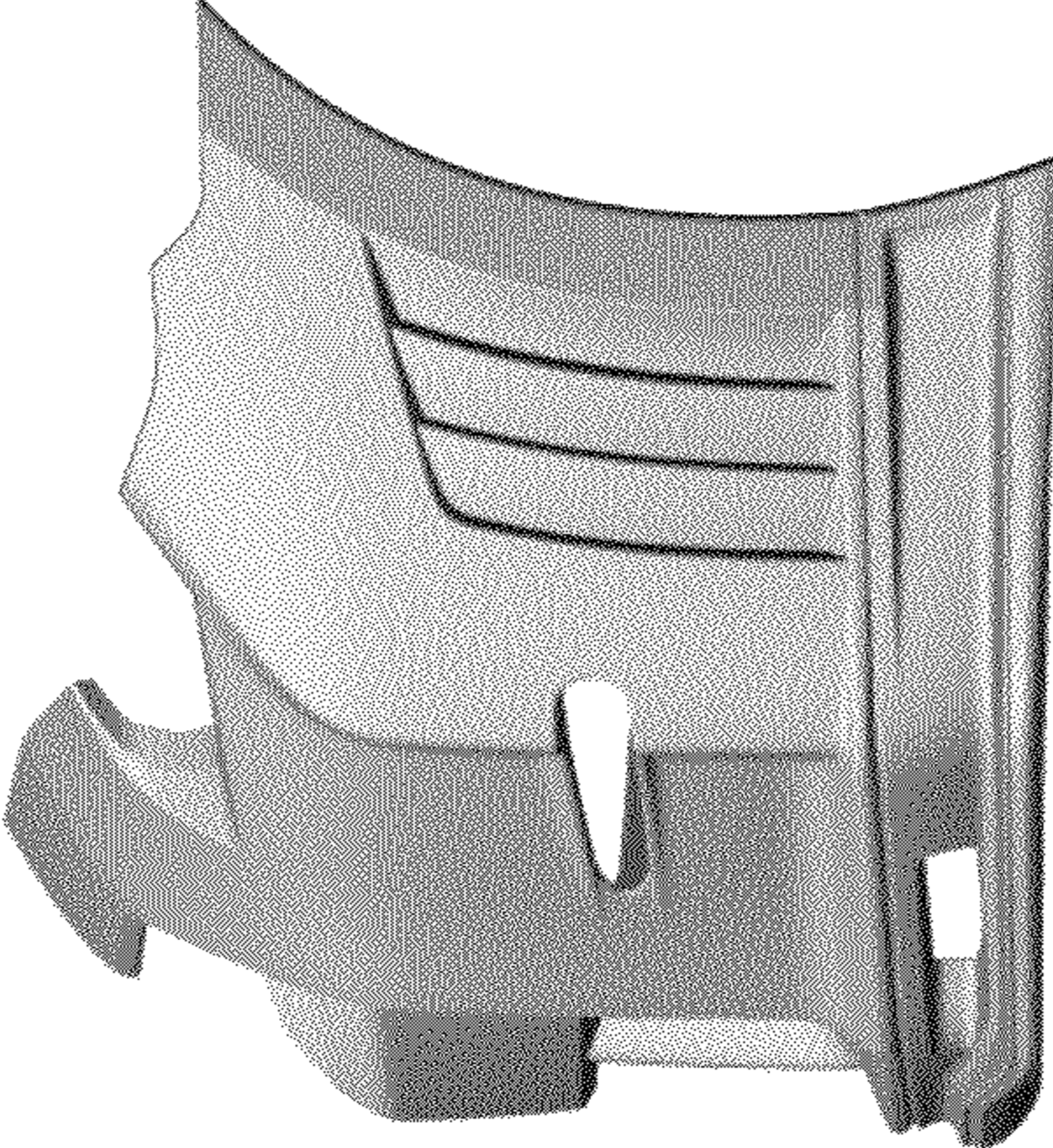


FIG. 5

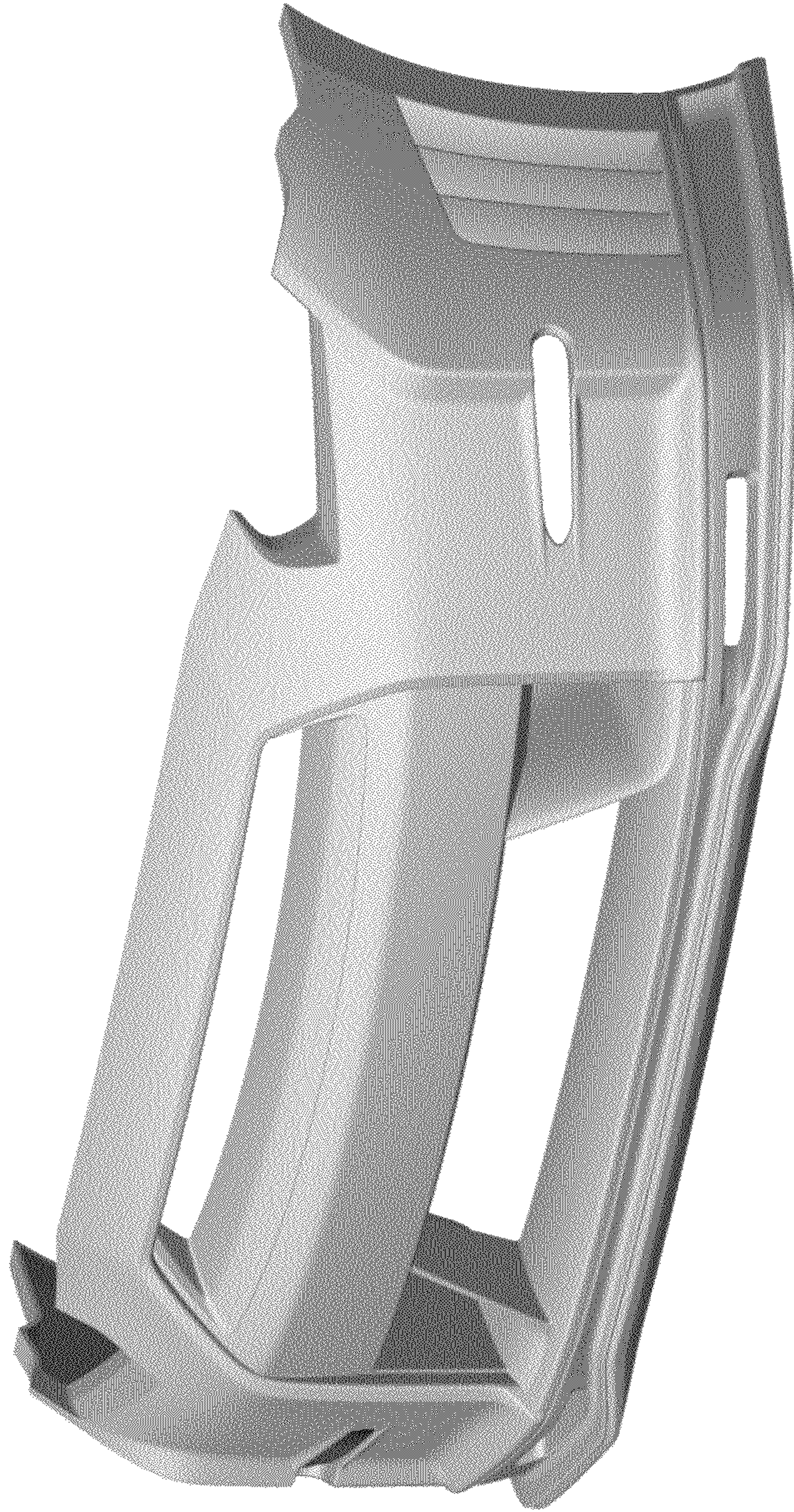


FIG. 6

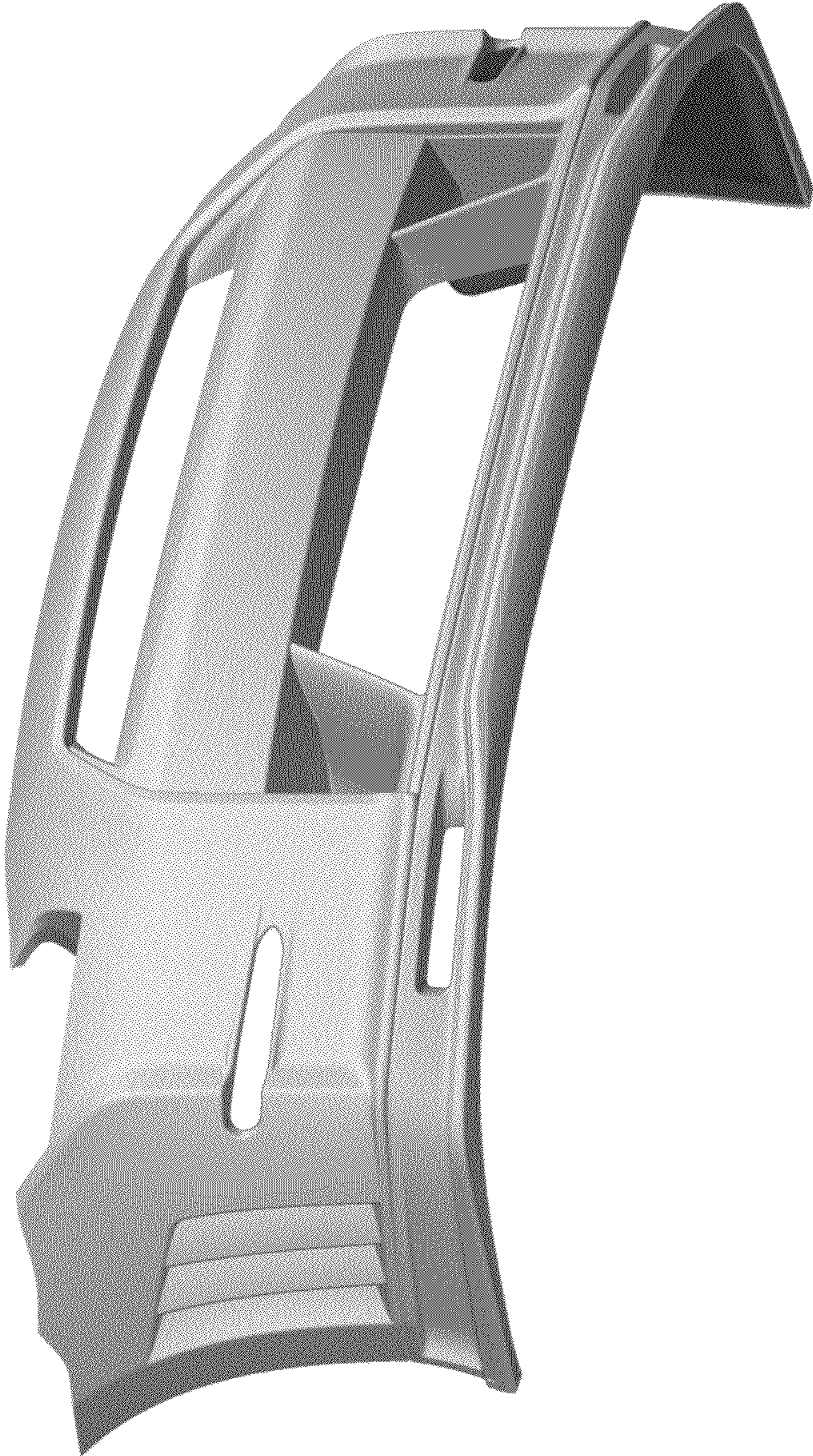


FIG. 7