



US00D735090S

(12) **United States Design Patent**
Baron

(10) **Patent No.:** **US D735,090 S**
(45) **Date of Patent:** **** Jul. 28, 2015**

- (54) **TRICYCLE**
- (71) Applicant: **SMART TRIKE MNF PTE LTD.,**
Singapore (SG)
- (72) Inventor: **Yoram Baron,** Moshav Nir Israel (IL)
- (73) Assignee: **SMART TRIKE MNF PTE LTD.,**
Singapore (SG)
- (**) Term: **14 Years**
- (21) Appl. No.: **29/472,757**
- (22) Filed: **Nov. 15, 2013**
- (30) **Foreign Application Priority Data**
May 30, 2013 (IL) 54075
- (51) **LOC (10) Cl.** **12-11**
- (52) **U.S. Cl.**
USPC **D12/113**
- (58) **Field of Classification Search**
USPC D12/112, 107, 113; D34/24; D21/435,
D21/667; 280/282, 259, 288.4, 210, 62,
280/278, 279, 287, 288, 270, 263, 272, 292,
280/293, 87.01, 249, 87.041, 1.188, 304.5,
280/47.11, 30, 47.371, 7.17, 47.38, 7.15,
280/47.18, 7.1, 87.1, 240, 211, 242.1, 291,
280/295, 32.5, 621, 622, 623, 624, 625,
280/626, 627, 628, 629, 200, 47.34;
301/110.5, 2.5, 6.5; 74/594.1, 551.8;
315/313; 362/184, 543; 297/215.14,
297/344.11, 184.1; 273/129 R, 118 R;
293/120, 127; 403/57, 22, 282, 368;
446/465, 94; 135/117, 125, 155, 88.04;
248/160
See application file for complete search history.

D355,870	S	*	2/1995	Dieudonne	D12/112
D427,112	S	*	6/2000	Chaudeurge	D12/112
D486,425	S	*	2/2004	Li	D12/112
6,840,527	B1	*	1/2005	Michelau et al.	280/270
D525,568	S	*	7/2006	Baron	D12/112
7,086,657	B2	*	8/2006	Michelau et al.	280/282
D555,045	S	*	11/2007	On	D12/112
D571,866	S	*	6/2008	On	D21/435
D582,488	S	*	12/2008	Badanjo	D21/435
D594,788	S	*	6/2009	Hartlaub et al.	D12/113
D604,777	S	*	11/2009	On	D21/435
D627,265	S	*	11/2010	On	D12/112
D659,056	S	*	5/2012	Bricker et al.	D12/112
8,313,117	B2	*	11/2012	Khare et al.	280/270
8,313,118	B2	*	11/2012	Aiken et al.	280/288.4
8,844,960	B2	*	9/2014	Young et al.	280/278
2003/0201621	A1	*	10/2003	Jang	280/293
2006/0001234	A1	*	1/2006	Michelau et al.	280/282
2011/0278815	A1	*	11/2011	Khare et al.	280/279
2012/0007330	A1	*	1/2012	Kettler et al.	280/210
2013/0056949	A1	*	3/2013	Bricker et al.	280/259
2014/0091550	A1	*	4/2014	Baron	280/240
2014/0138932	A1	*	5/2014	Baron	280/279
2014/0217696	A1	*	8/2014	Bartels	280/274

* cited by examiner

Primary Examiner — Robert M Spear

Assistant Examiner — Ryan Harvey

(74) *Attorney, Agent, or Firm* — Roach Brown McCarthy & Gruber, P.C.; Kevin D. McCarthy

(57) **CLAIM**

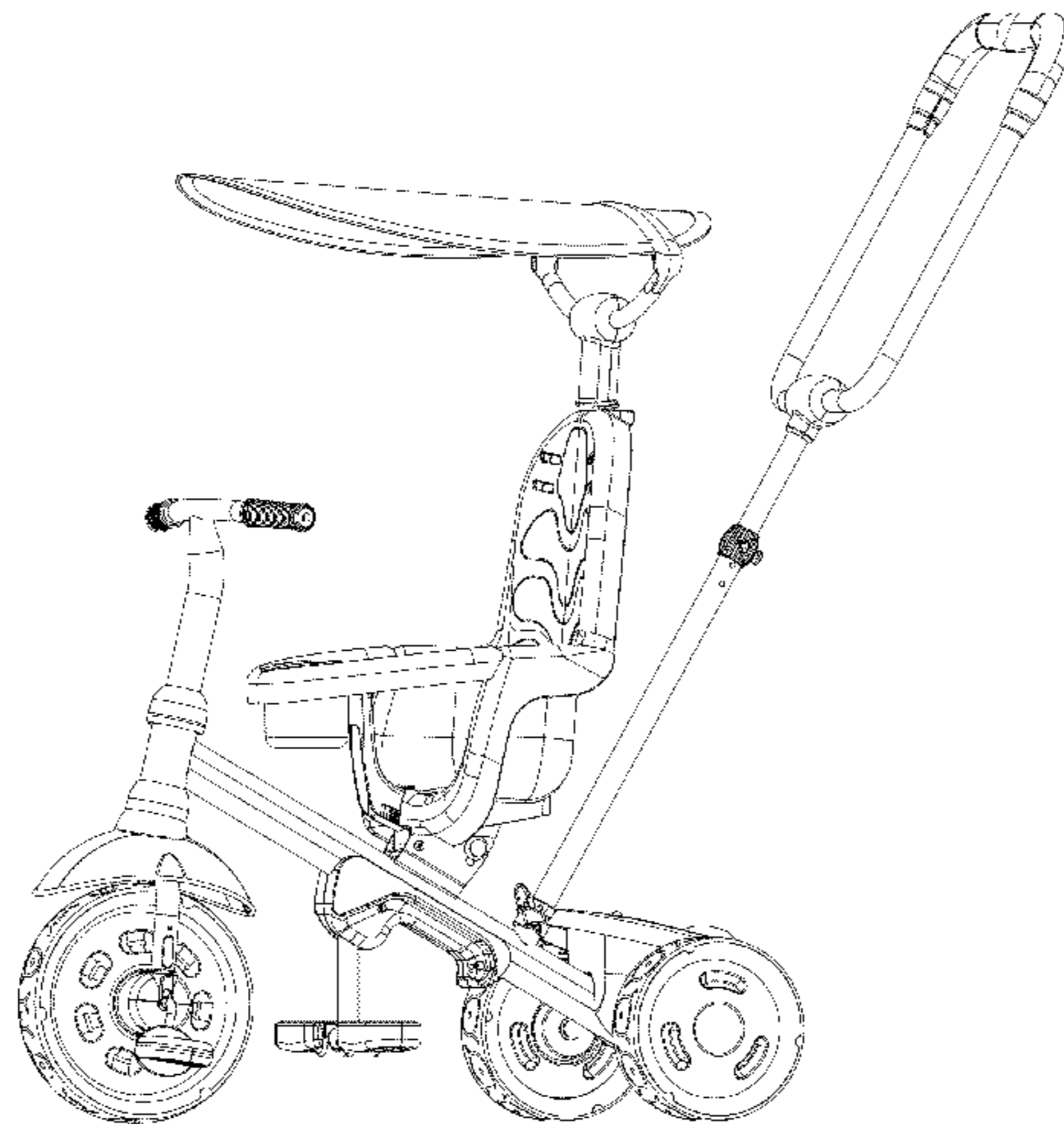
The ornamental design for a tricycle, as shown and described.

DESCRIPTION

FIG. 1 is a perspective view of the front, left side view of a tricycle of the applicant's design;
 FIG. 2 is a top view thereof;
 FIG. 3 is a bottom view thereof;
 FIG. 4 is a front side view thereof;
 FIG. 5 is a back side view thereof;
 FIG. 6 is a right side view thereof; and,
 FIG. 7 is a left side view of the tricycle.

- (56) **References Cited**
U.S. PATENT DOCUMENTS
5,028,066 A * 7/1991 Garth 280/282

1 Claim, 7 Drawing Sheets



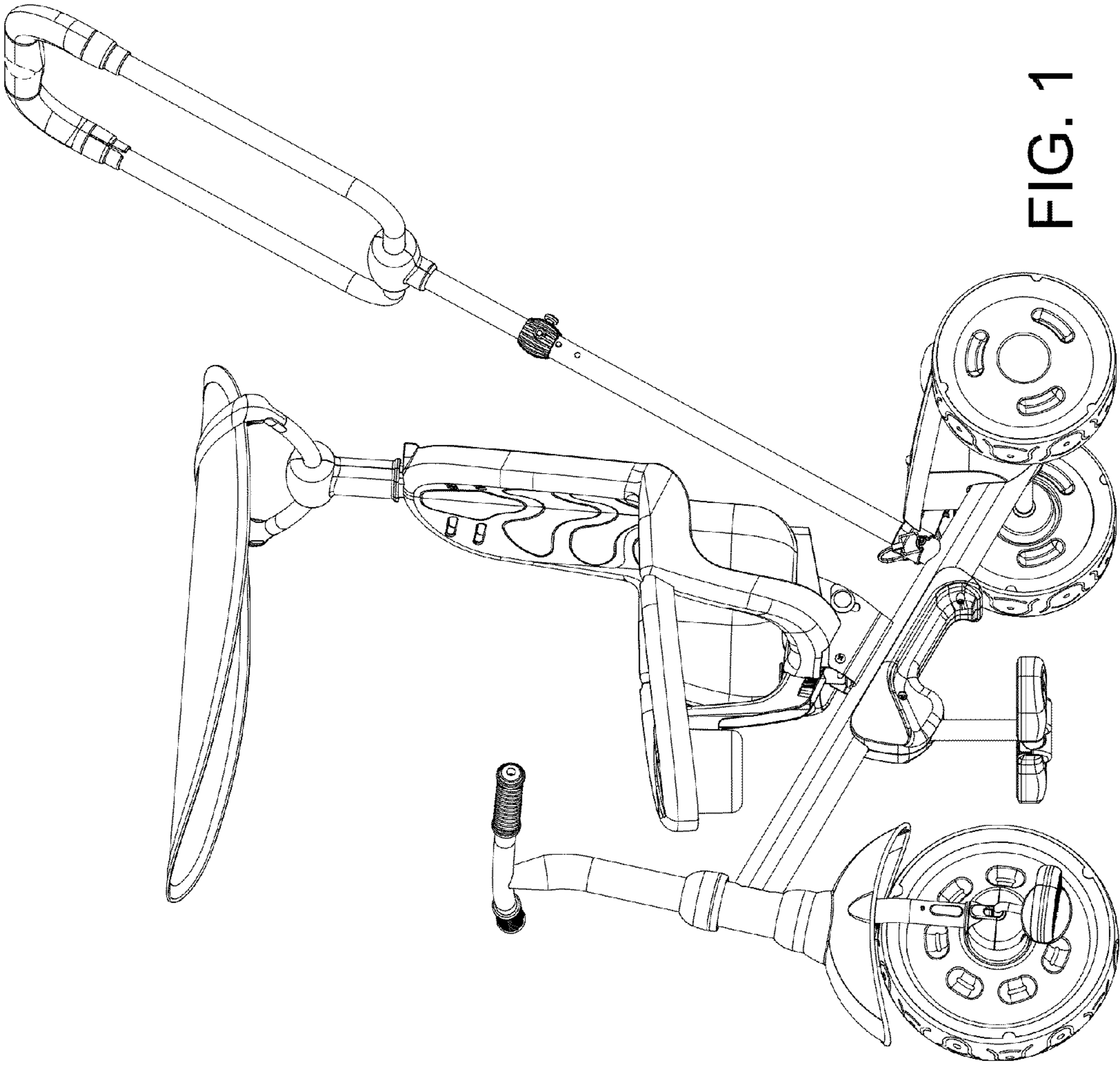


FIG. 1

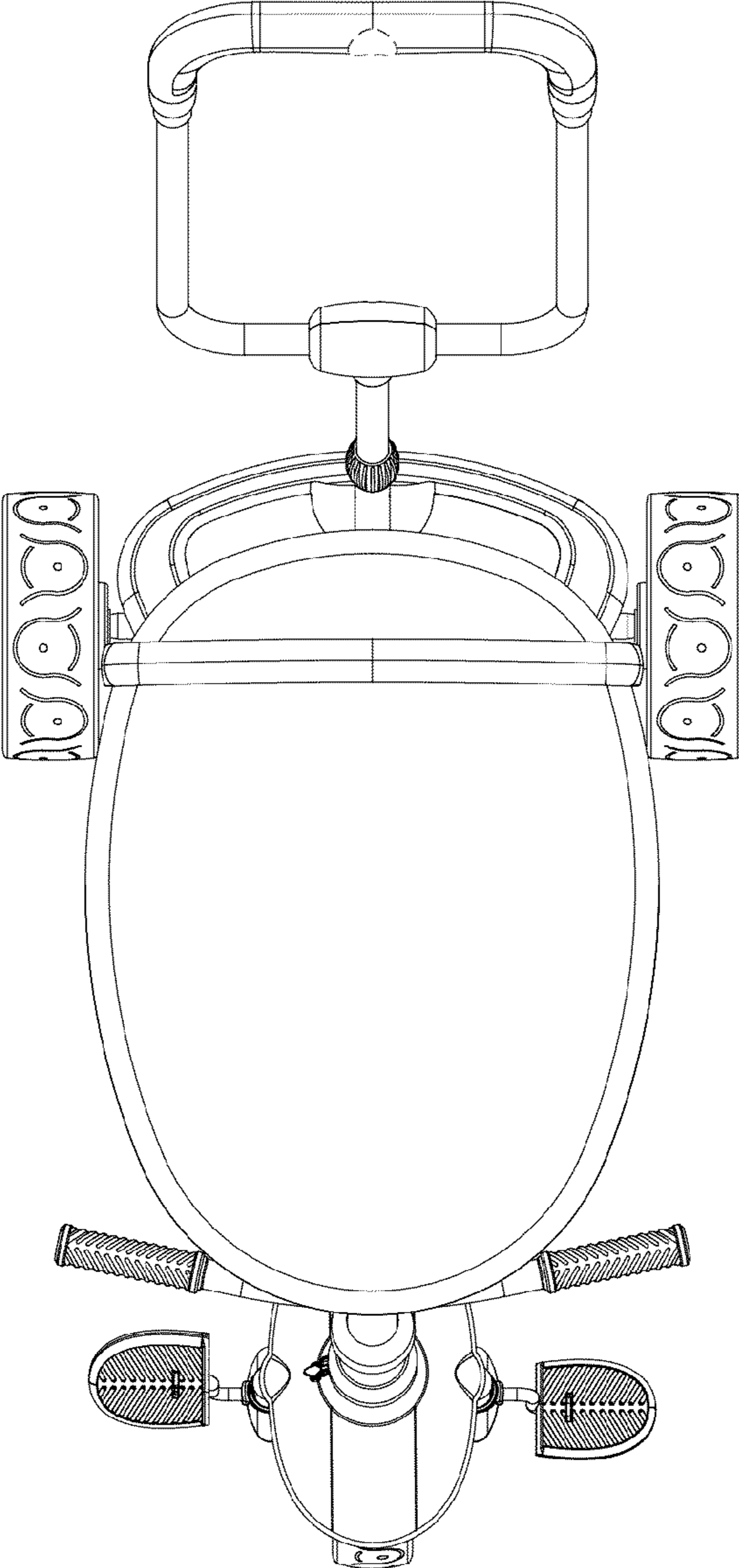


FIG. 2

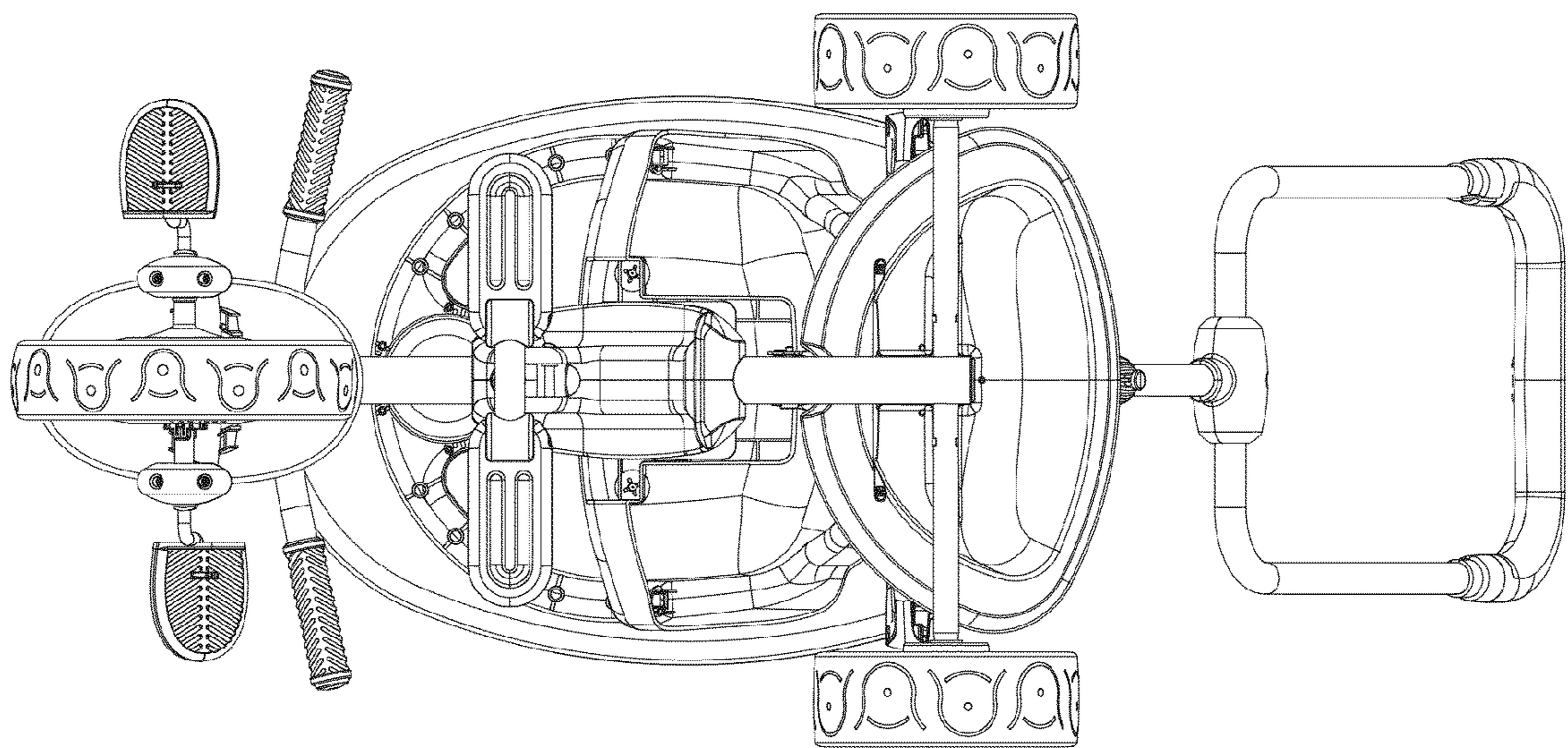


FIG. 3

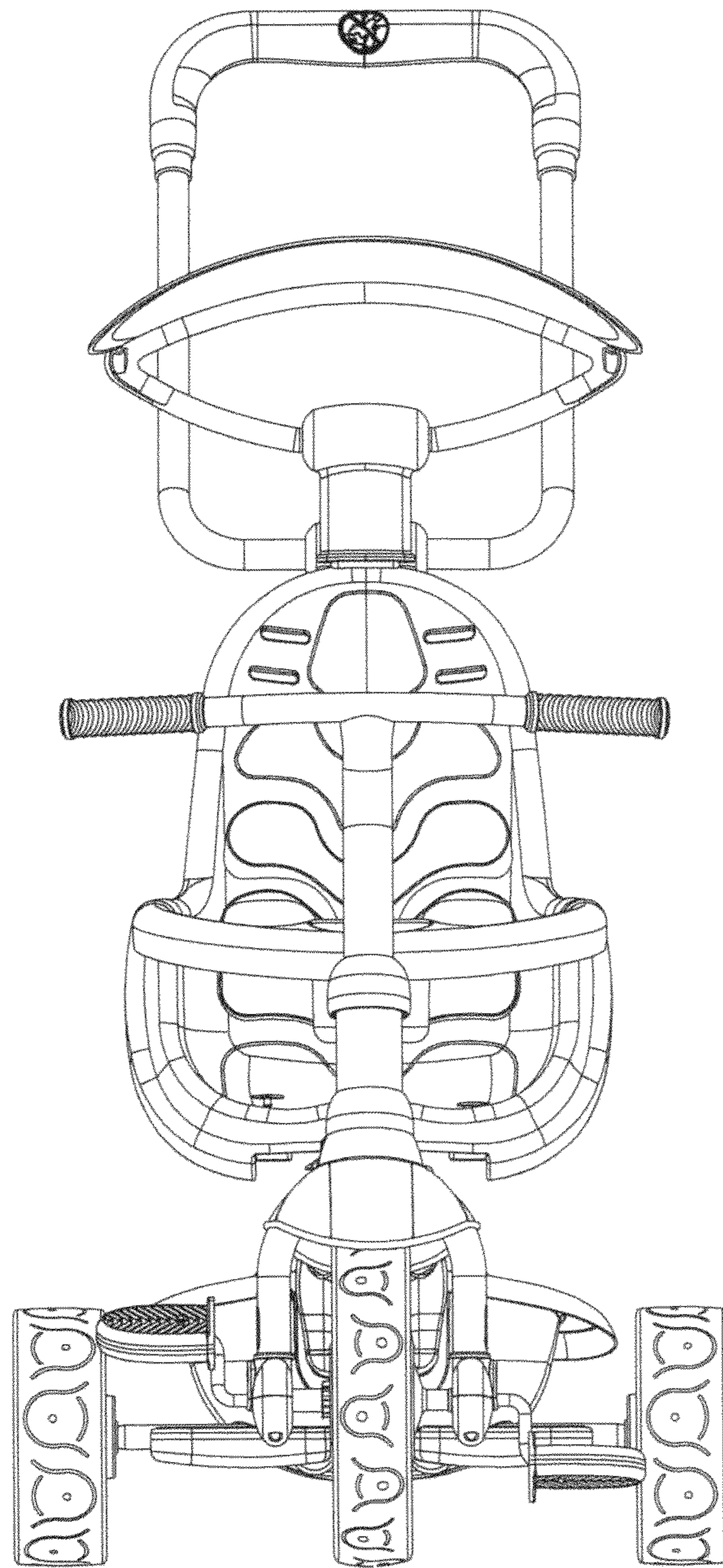


FIG. 4

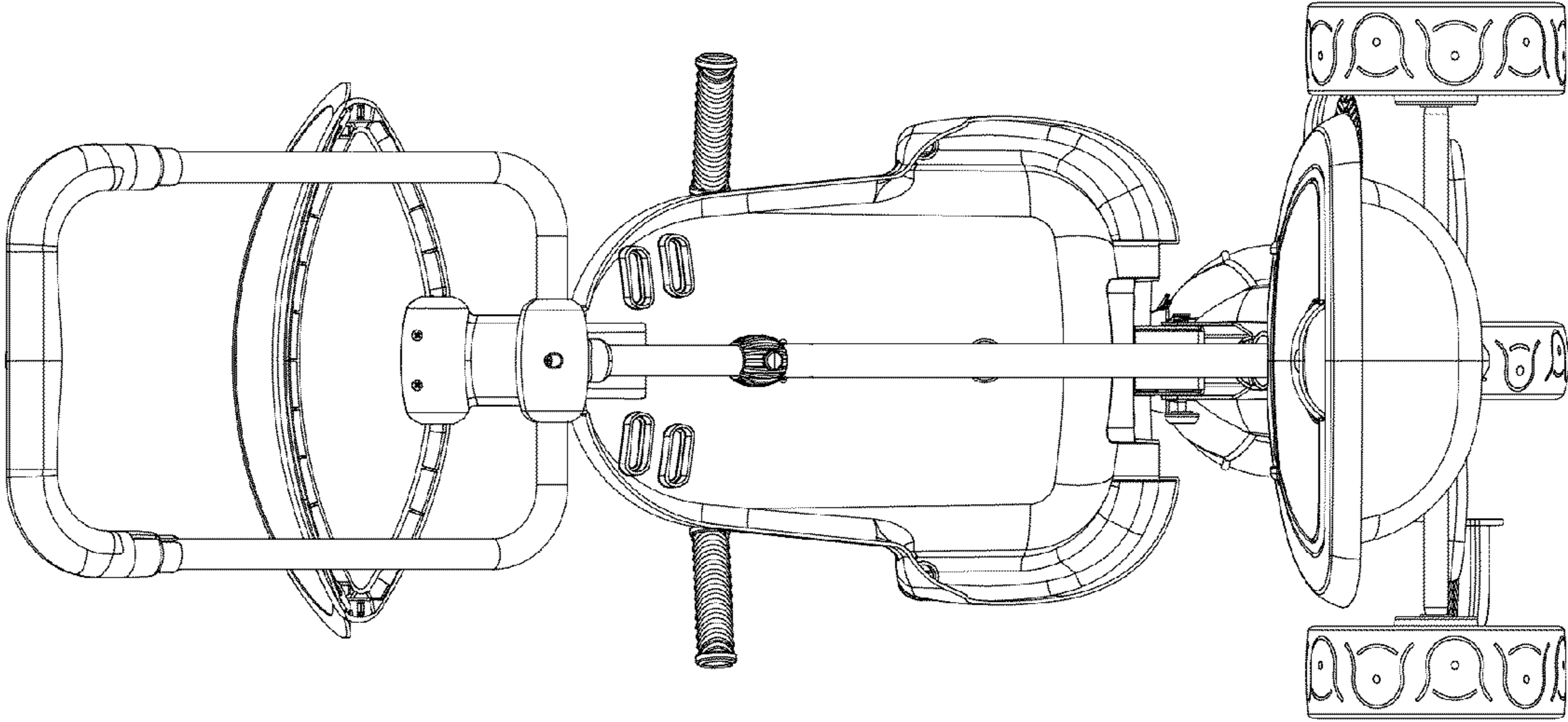


FIG. 5

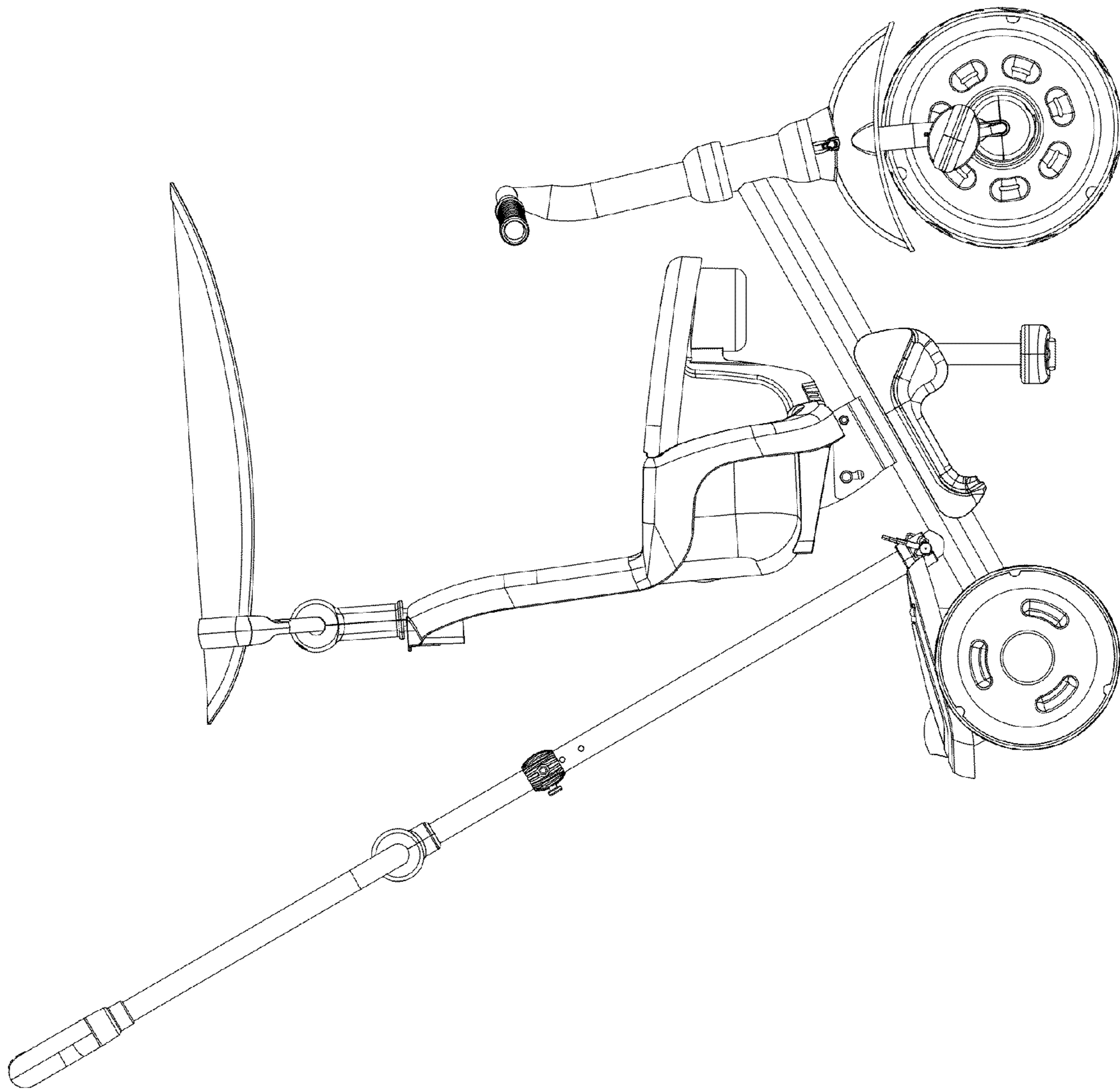


FIG. 6

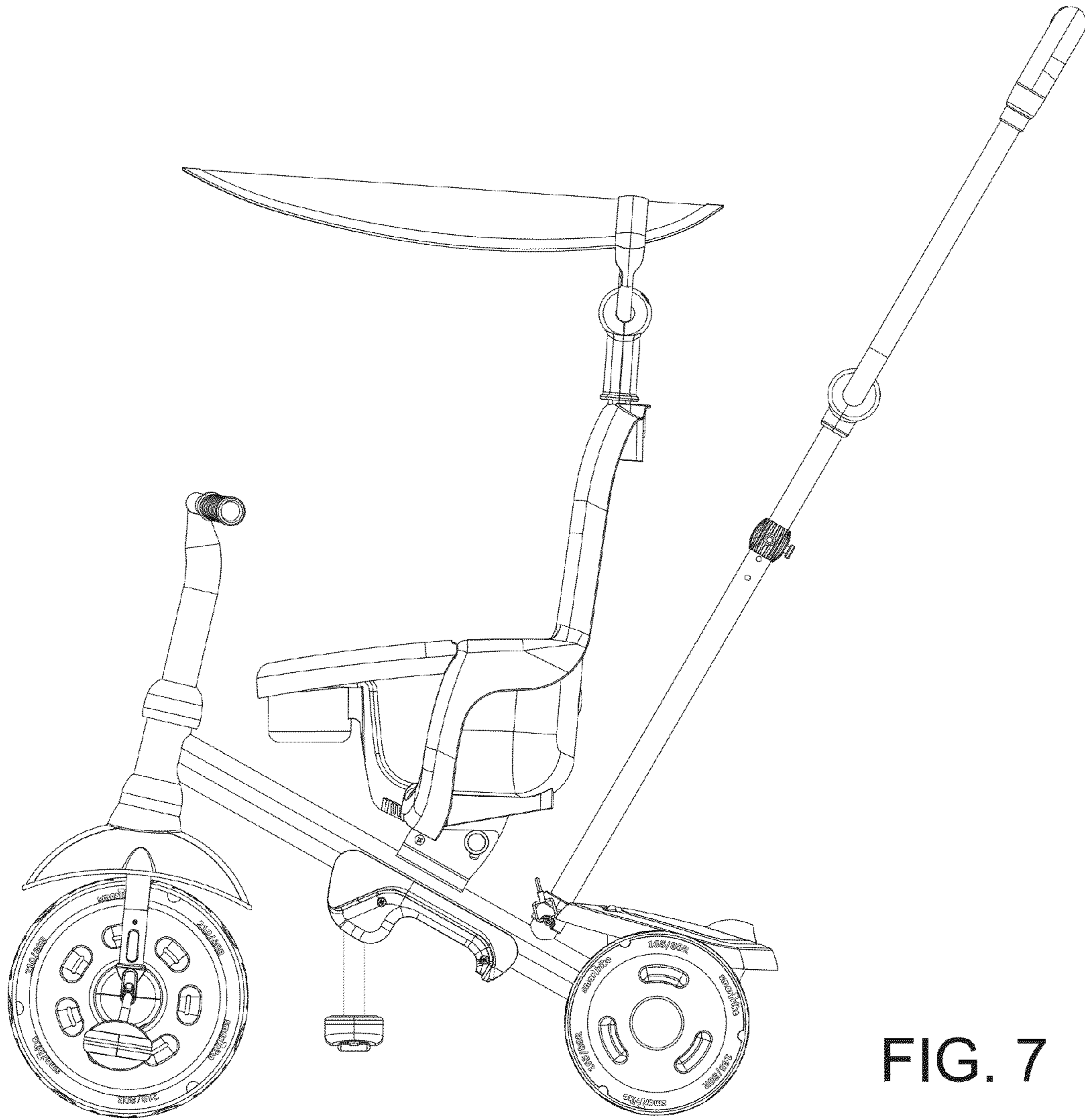


FIG. 7