



US00D735089S

(12) **United States Design Patent**
Gauthier et al.

(10) **Patent No.:** **US D735,089 S**
(45) **Date of Patent:** **** Jul. 28, 2015**

(54) **PAIR OF BICYCLE DROPOUTS**

(56) **References Cited**

U.S. PATENT DOCUMENTS

(71) Applicant: **8040168 CANADA INC.**, Chicoutimi (CA)
(72) Inventors: **Bruno Gauthier**, Saguenay (CA); **Caroline Boily**, Saguenay (CA); **Michel Giroux**, Saguenay (CA)
(73) Assignee: **8040168 CANADA INC.**, Chicoutimi, QC (CA)

5,857,691	A *	1/1999	Fan	280/283
D575,681	S *	8/2008	Argote Vivar	D12/111
D662,445	S *	6/2012	Uimonen	D12/111
8,448,971	B2 *	5/2013	Giroux	280/287
D686,950	S *	7/2013	Lin	D12/111
2005/0253357	A1 *	11/2005	Chang et al.	280/283
2011/0115193	A1 *	5/2011	Giroux	280/281.1
2011/0285106	A1 *	11/2011	Talavasek	280/284
2012/0299268	A1 *	11/2012	Chamberlain et al.	280/284
2013/0147152	A1 *	6/2013	Paquin et al.	280/281.1
2013/0300085	A1 *	11/2013	Zecchetto	280/281.1
2014/0015220	A1 *	1/2014	Talavasek	280/275
2014/0054873	A1 *	2/2014	Cocalis	280/281.1

(**) Term: **14 Years**

* cited by examiner

(21) Appl. No.: **29/476,098**

Primary Examiner — Philip S Hyder

(22) Filed: **Dec. 11, 2013**

Assistant Examiner — Darlington Ly

(30) **Foreign Application Priority Data**

(74) *Attorney, Agent, or Firm* — Norton Rose Fulbright Canada LLP

Jun. 14, 2013 (CA) 151721

(51) **LOC (10) Cl.** **12-11**

(52) **U.S. Cl.**
USPC **D12/111**

(58) **Field of Classification Search**
USPC D12/111-113, 117, 119; D21/432, 435, D21/538; 280/263, 265, 270, 271, 274-280, 280/281.1, 283-288, 288.1-288.4, 282, 280/293, 295, 296, 298-301, 827, 828
CPC B62K 15/006; B62K 15/008; B62K 19/16; B62K 21/02; B62K 21/04; B62K 21/06; B62K 25/08; B62K 25/16; B62L 1/00; F16D 2121/14; F16D 2125/36

See application file for complete search history.

(57) **CLAIM**

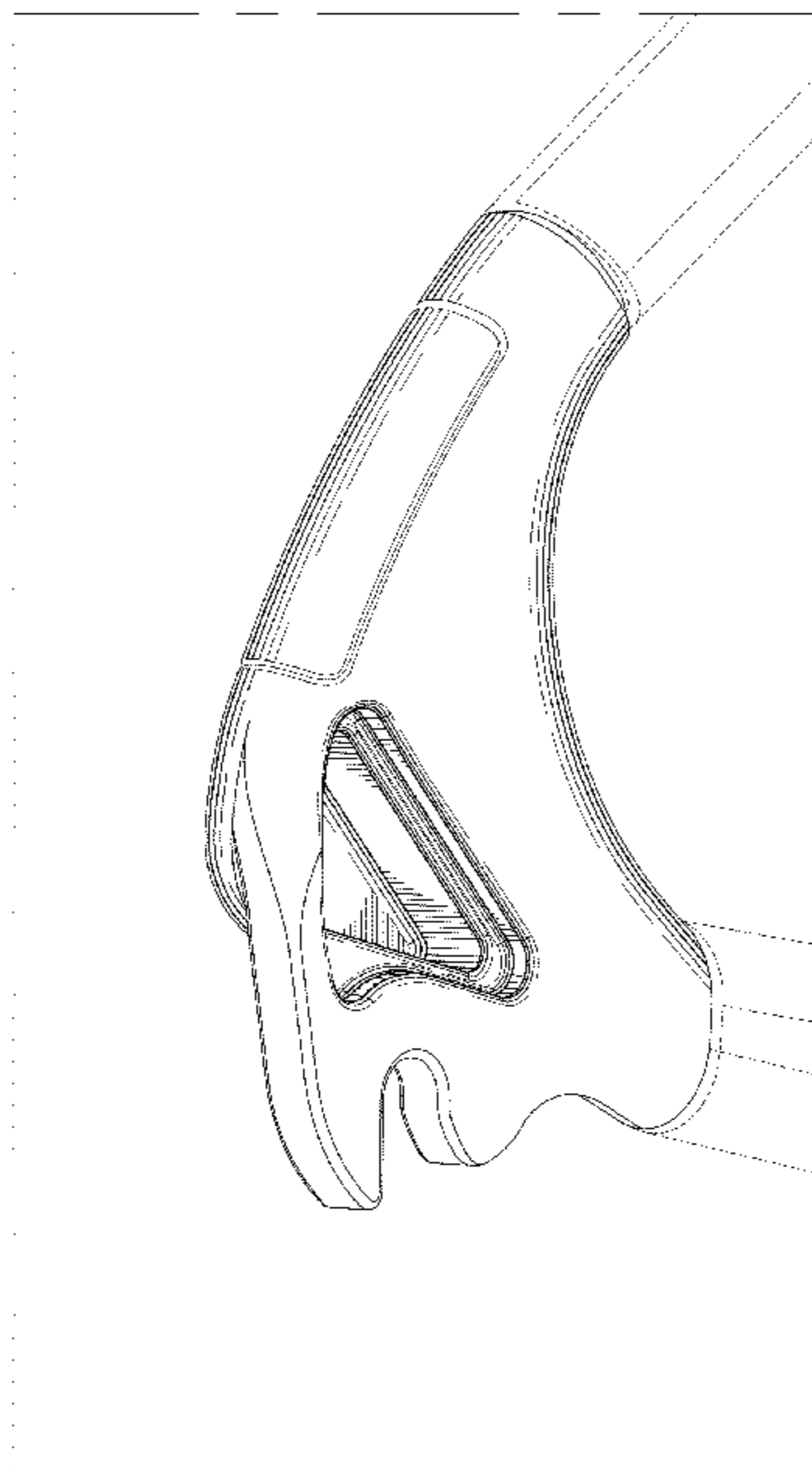
The ornamental design for a pair of bicycle dropouts, as shown and described.

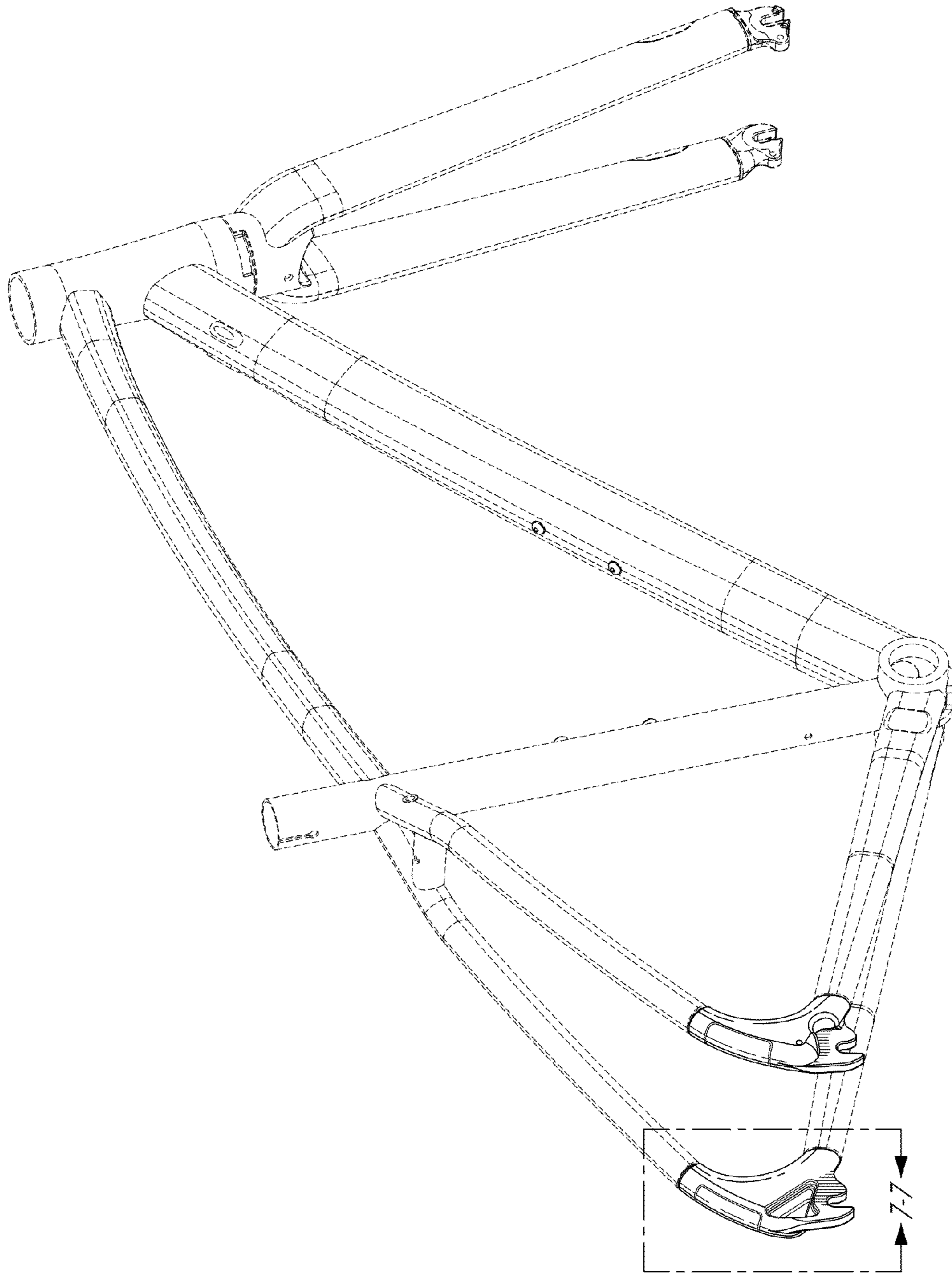
DESCRIPTION

FIG. 1 is a perspective view of a bicycle frame having a pair of bicycle dropouts;
FIG. 2 is a top plan view of the pair of bicycle dropouts;
FIG. 3 is a side view of the pair of bicycle dropouts;
FIG. 4 is a front view of the pair of bicycle dropouts;
FIG. 5 is a rear view of the pair of bicycle dropouts;
FIG. 6 is a bottom view of the pair of bicycle dropouts; and,
FIG. 7 is an enlargement view of a rear dropout end portions of the bicycle frame.

The portions of the bicycle frame shown in broken lines form no part of the claimed design.

1 Claim, 6 Drawing Sheets





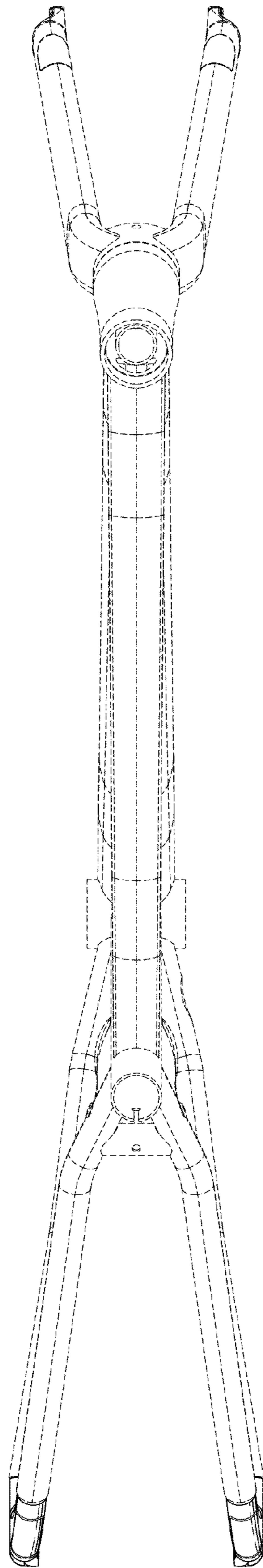


FIG. 2

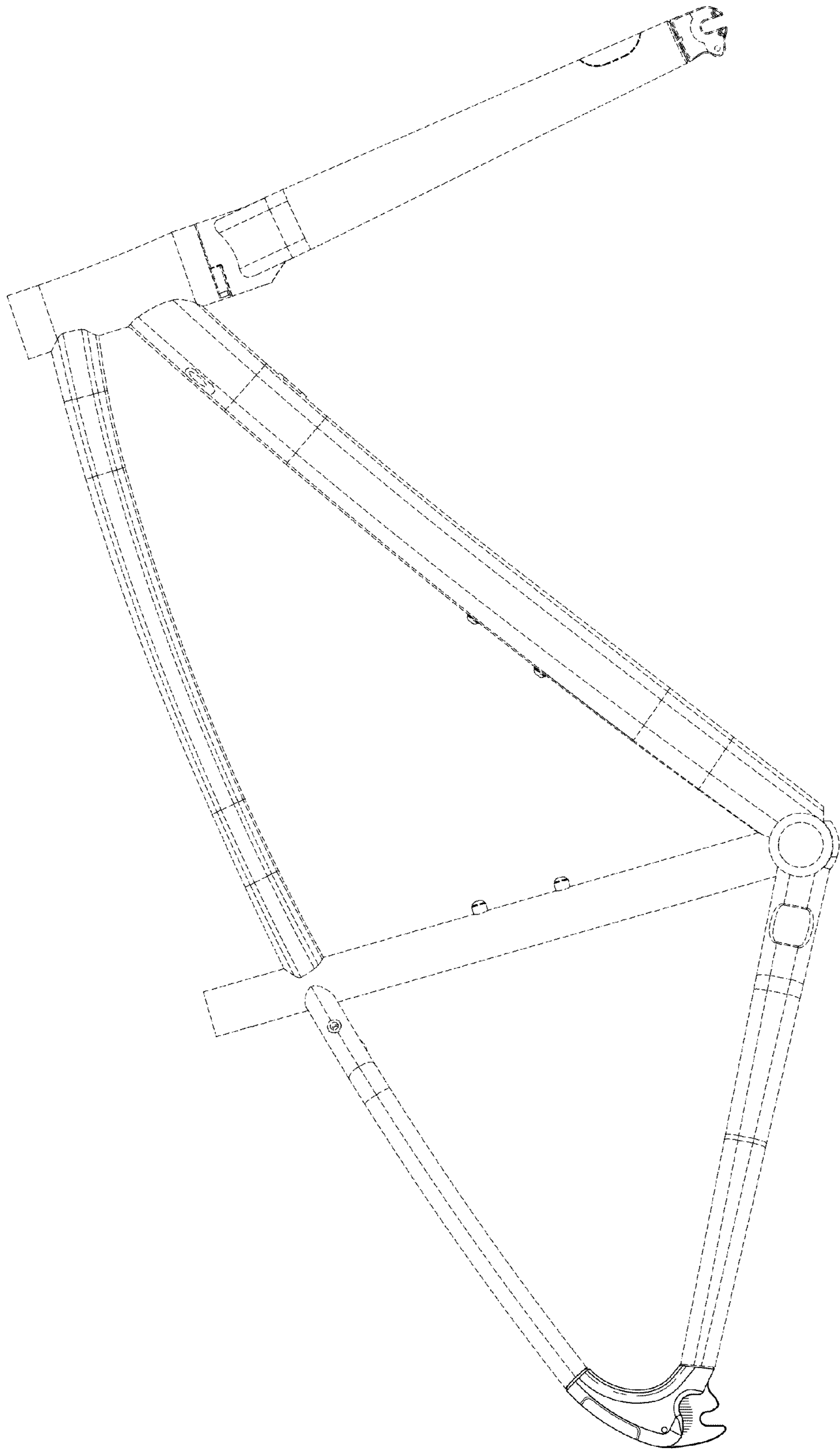


FIG. 3

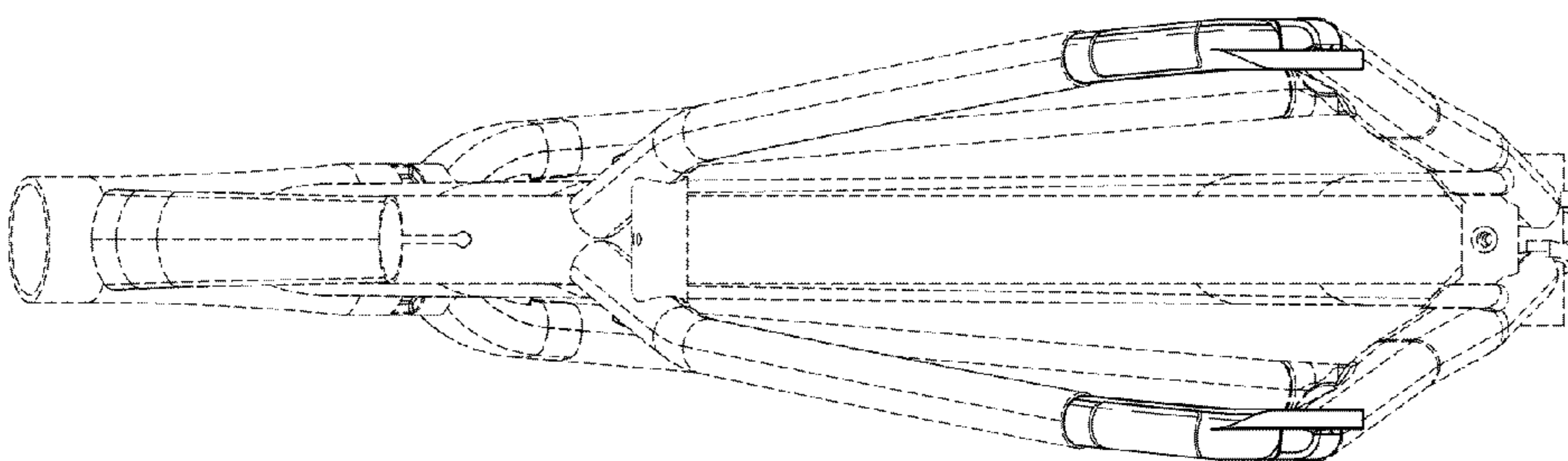


FIG. 5

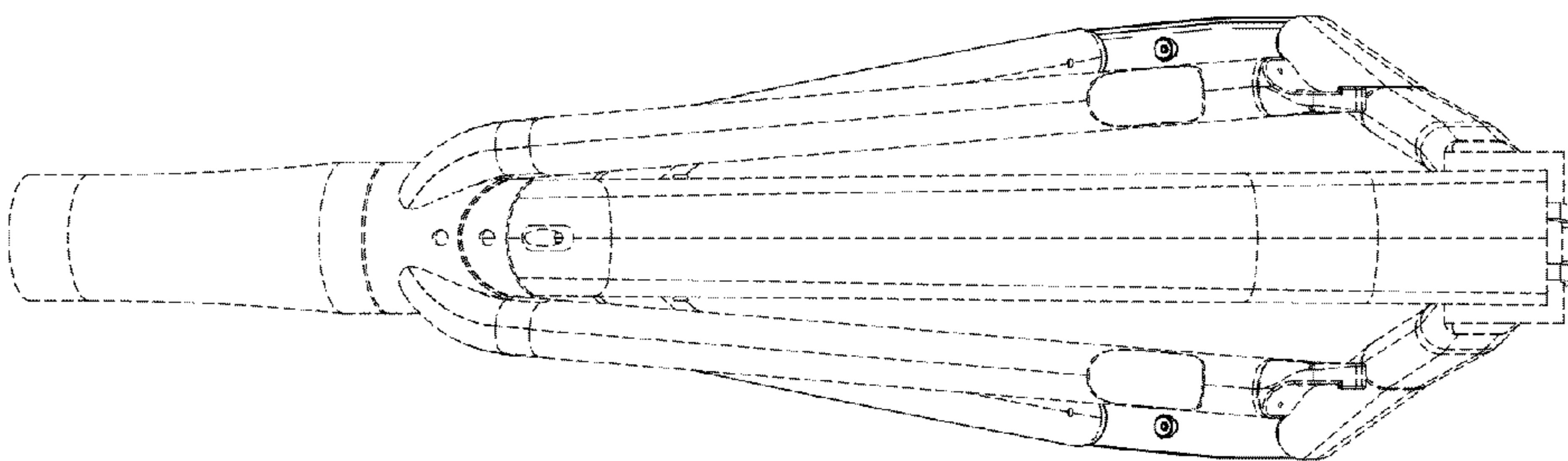


FIG. 4

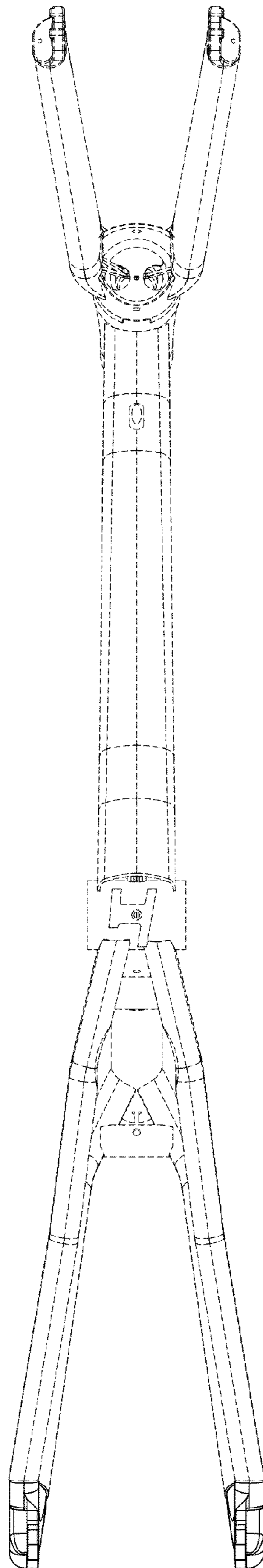


FIG. 5

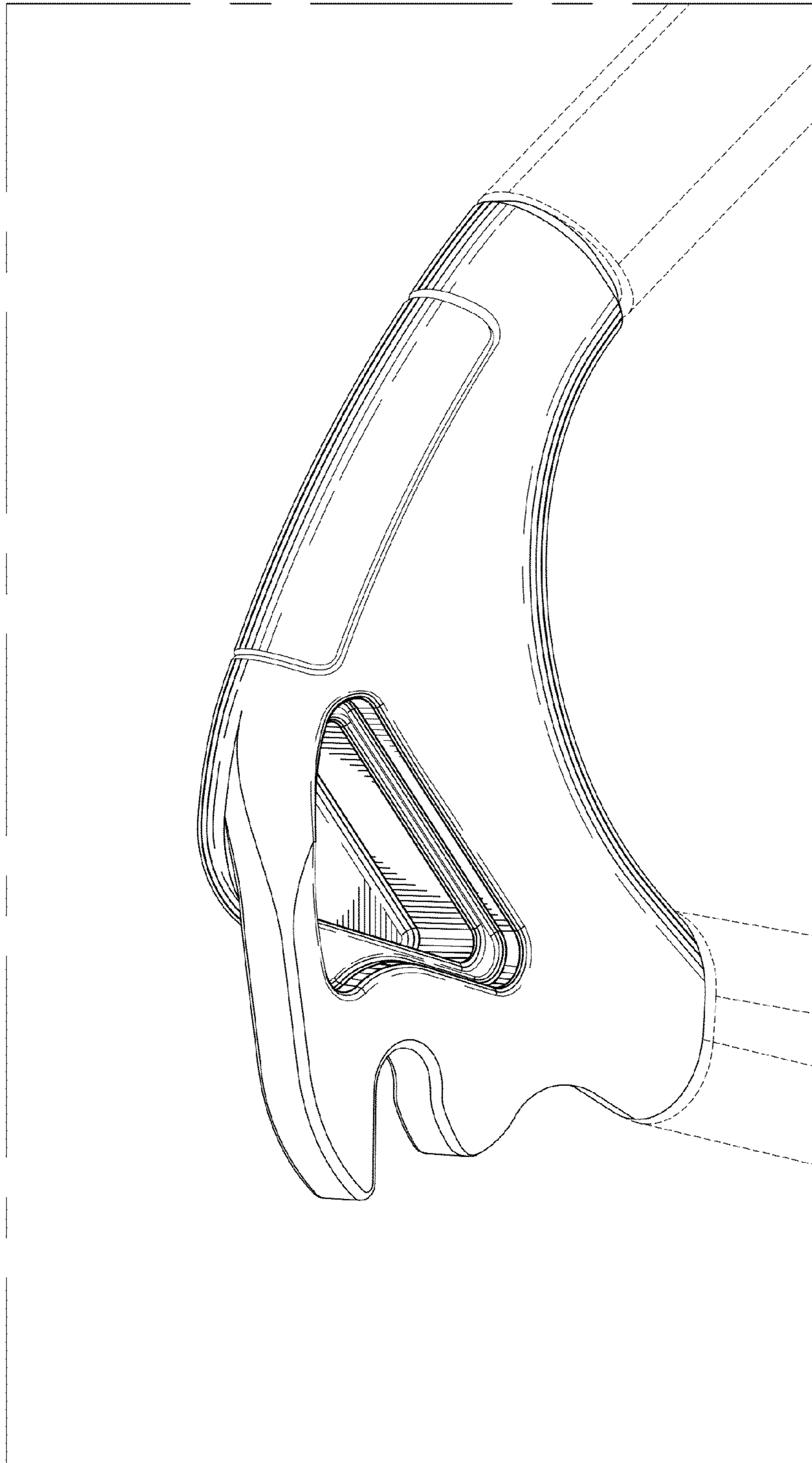


FIG. 7