



US00D735088S

(12) **United States Design Patent**
Gauthier et al.

(10) **Patent No.:** **US D735,088 S**
(45) **Date of Patent:** **** Jul. 28, 2015**

(54) **BICYCLE FORK**

(71) Applicant: **8040168 CANADA INC.**, Chicoutimi
(CA)
(72) Inventors: **Bruno Gauthier**, Saguenay (CA);
Caroline Boily, Saguenay (CA); **Michel**
Giroux, Saguenay (CA)
(73) Assignee: **8040168 CANADA INC.**, Chicoutimi,
QC (CA)
(**) Term: **14 Years**

(21) Appl. No.: **29/476,096**
(22) Filed: **Dec. 11, 2013**

(30) **Foreign Application Priority Data**

Jun. 14, 2013 (CA) 151722

(51) **LOC (10) Cl.** **12-11**

(52) **U.S. Cl.**
USPC **D12/111**

(58) **Field of Classification Search**
USPC D12/111-113, 117, 119; D21/432, 435,
D21/538; 280/263, 265, 270, 271, 274-280,
280/281.1, 283-288, 288.1-288.4, 282,
280/293, 295, 296, 298-301, 827, 828
CPC B62K 15/006; B62K 15/008; B62K 19/16;
B62K 21/02; B62K 21/04; B62K 21/06;
B62K 25/08; B62K 25/16; B62L 1/00; F16D
2121/14; F16D 2125/36

See application file for complete search history.

(56) **References Cited**

U.S. PATENT DOCUMENTS

D326,249	S	*	5/1992	Chance et al.	D12/118
5,944,932	A	*	8/1999	Klein et al.	156/245
D575,681	S	*	8/2008	Argote Vivar	D12/111
7,654,548	B2	*	2/2010	Kanehisa et al.	280/279
D662,445	S	*	6/2012	Uimonen	D12/111
D666,946	S	*	9/2012	Uimonen	D12/111
8,438,946	B2	*	5/2013	Giroux	74/551.5
8,540,267	B1	*	9/2013	Chubbuck et al.	280/276
8,678,416	B2	*	3/2014	Chubbuck et al.	280/276
2010/0170757	A1	*	7/2010	Dhawan et al.	188/73.39
2011/0121538	A1	*	5/2011	Giroux	280/280
2013/0180806	A1	*	7/2013	Iwai et al.	188/26
2013/0241271	A1	*	9/2013	Lim	301/124.2

* cited by examiner

Primary Examiner — Philip S Hyder

Assistant Examiner — Darlington Ly

(74) *Attorney, Agent, or Firm* — Norton Rose Fulbright
Canada LLP

(57) **CLAIM**

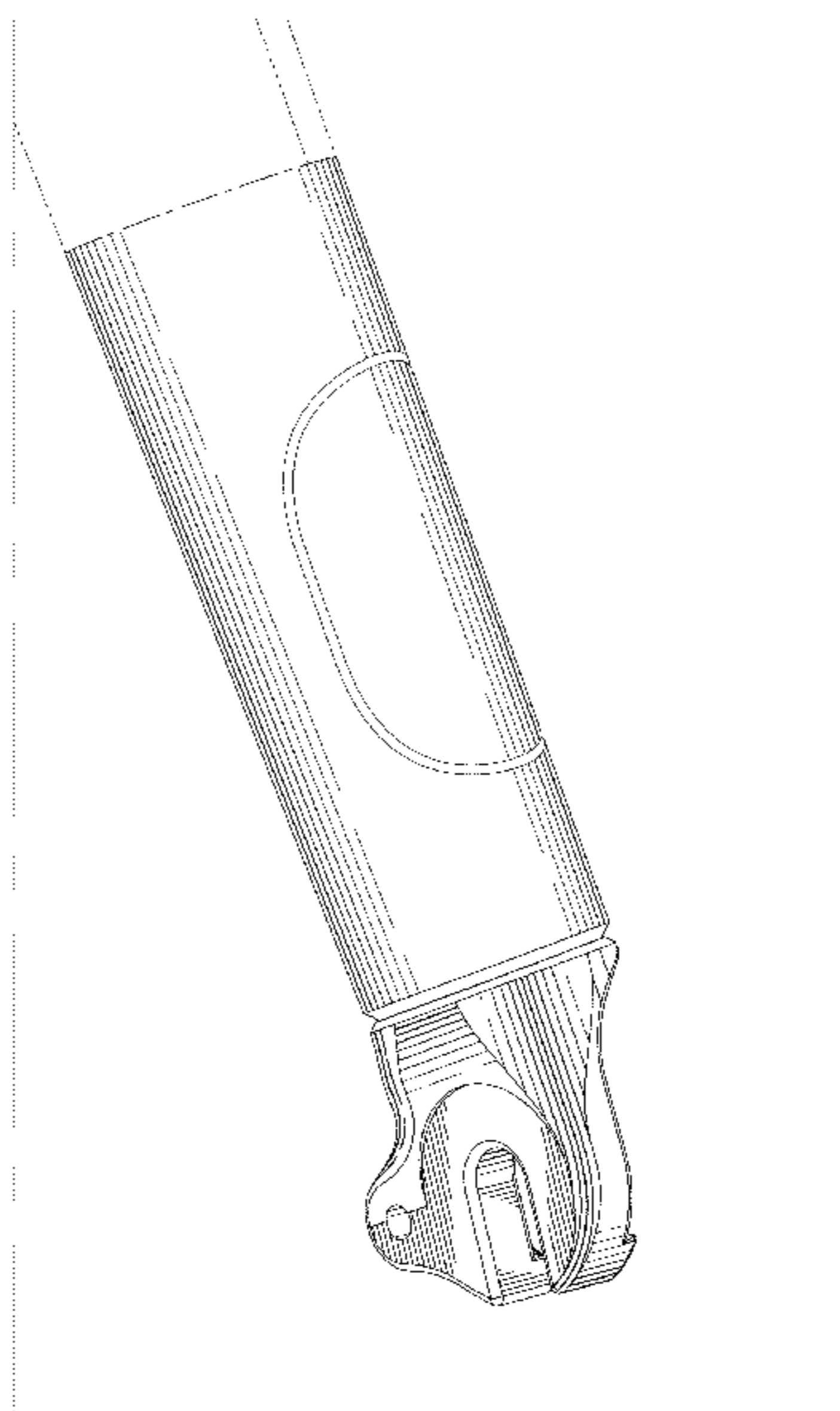
The ornamental design for a bicycle fork, as shown and
described.

DESCRIPTION

FIG. 1 is a perspective view of a bicycle frame including the
claimed bicycle fork;
FIG. 2 is a top plan view of the bicycle fork;
FIG. 3 is a side view of the bicycle fork;
FIG. 4 is a front view of the bicycle fork;
FIG. 5 is a rear view of the bicycle fork;
FIG. 6 is a bottom view of the bicycle fork; and,
FIG. 7 is an enlargement view of a front end portion of the
bicycle fork.

The portions of the bicycle fork shown in broken lines form
no part of the claimed design. The dash-dot lines are provided
to define the bounds of the claim but do not form part of the
claimed design.

1 Claim, 6 Drawing Sheets



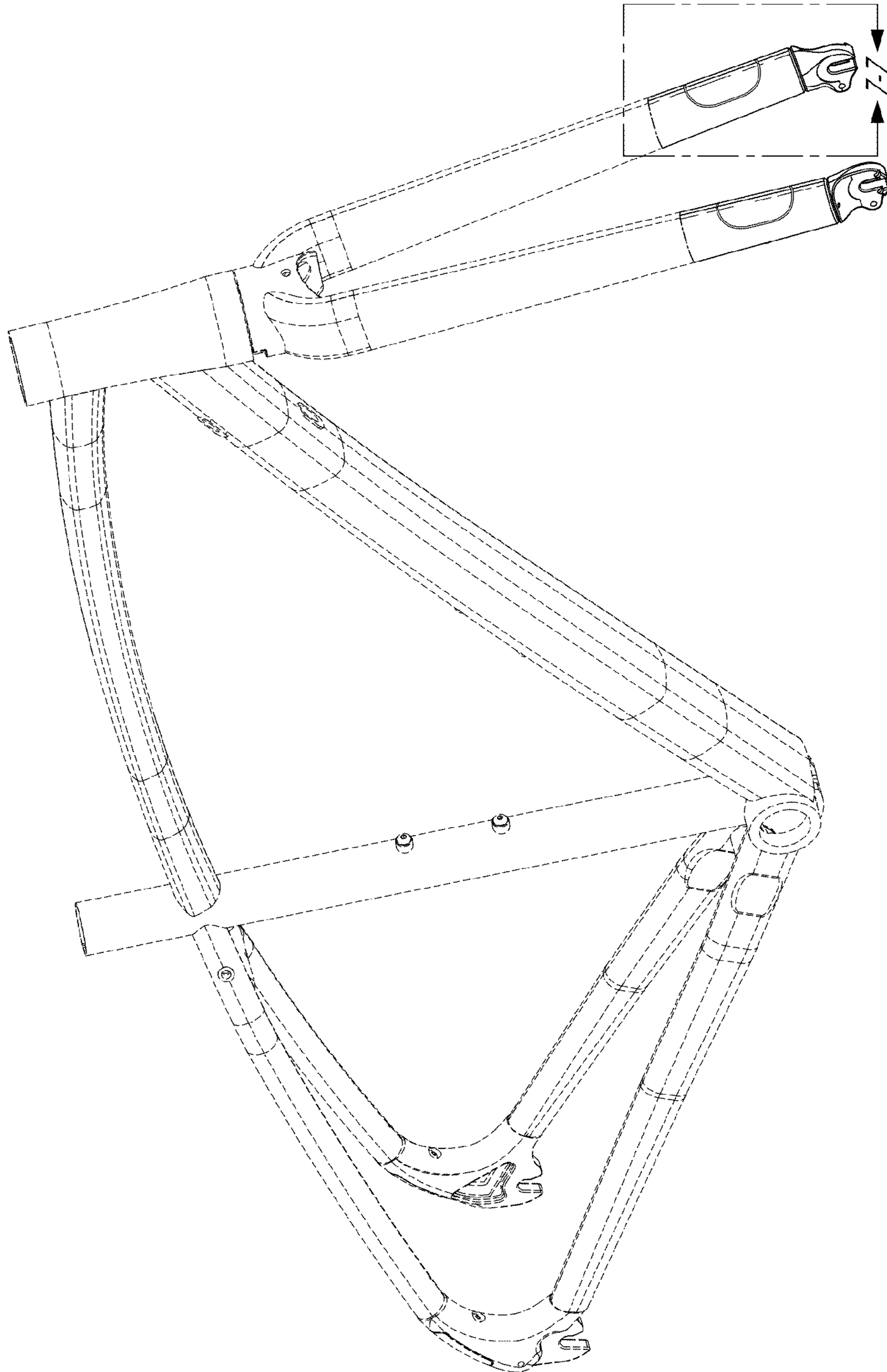


FIG. 1

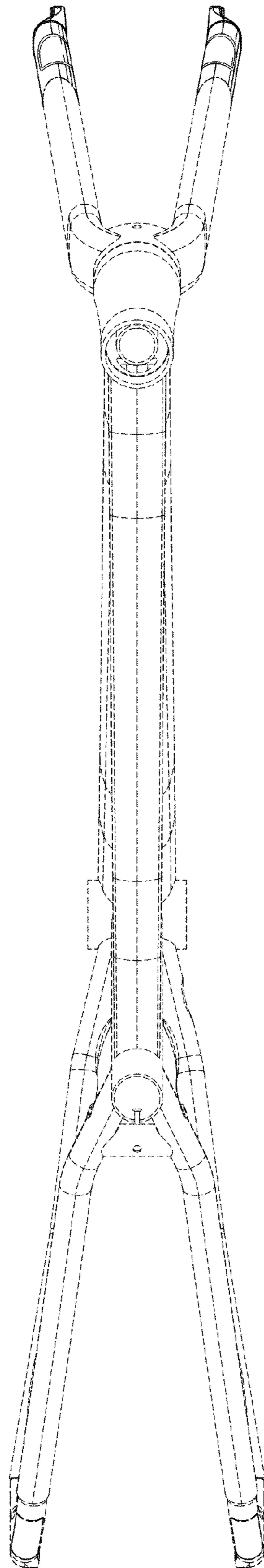


FIG. 2

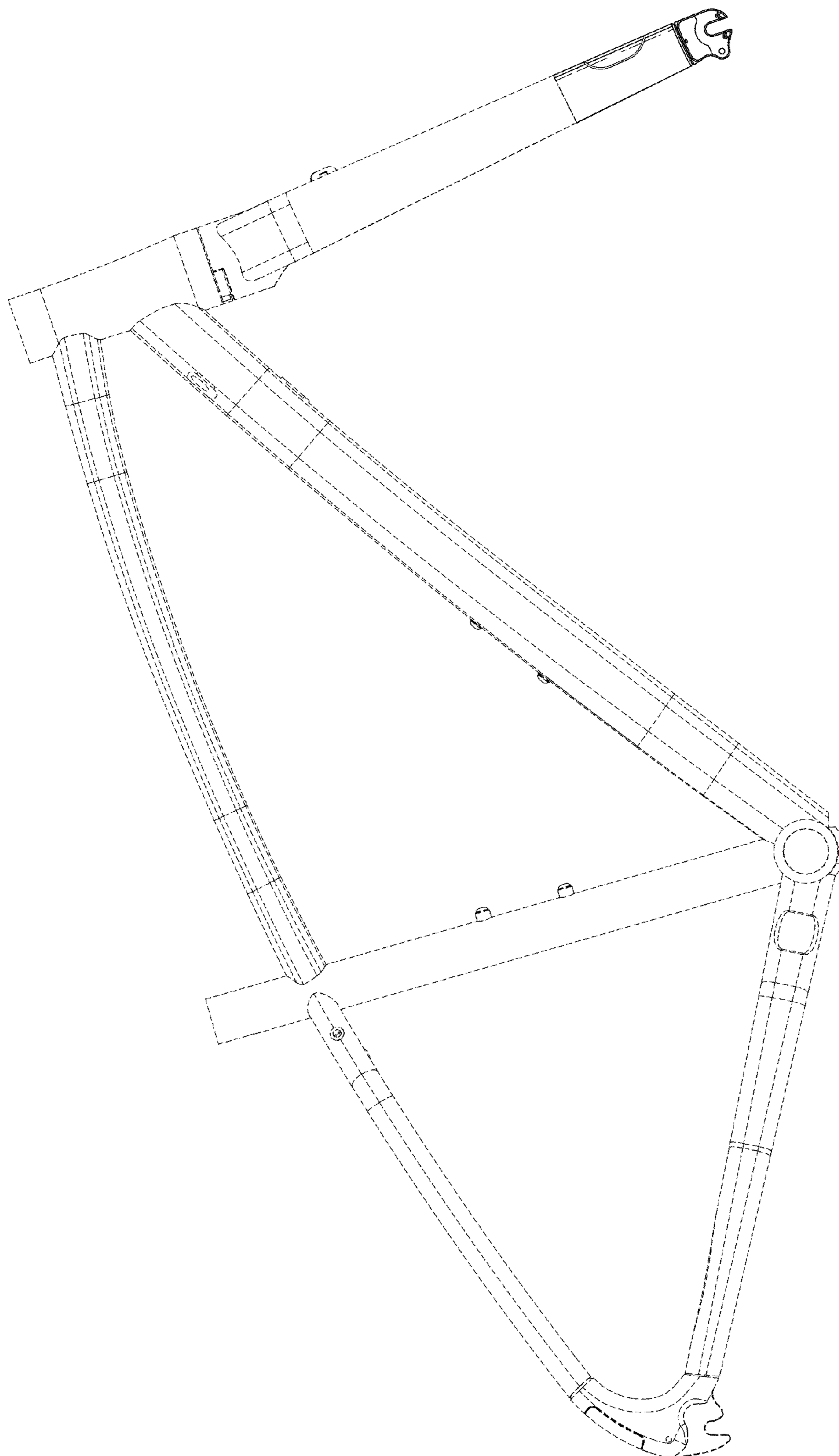


FIG. 3

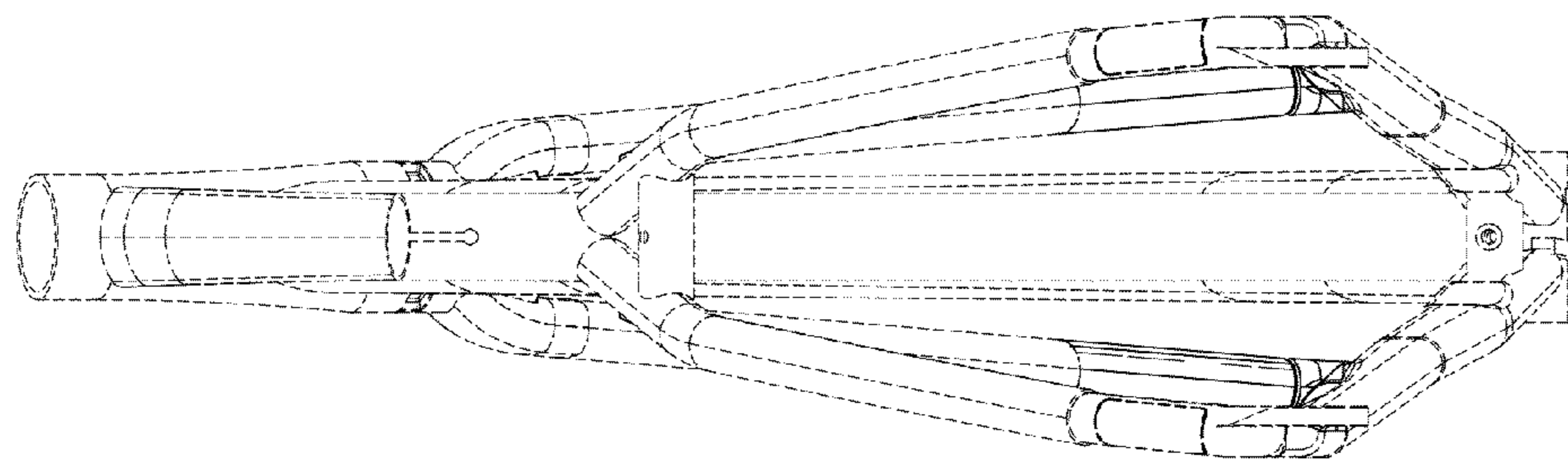


FIG. 5

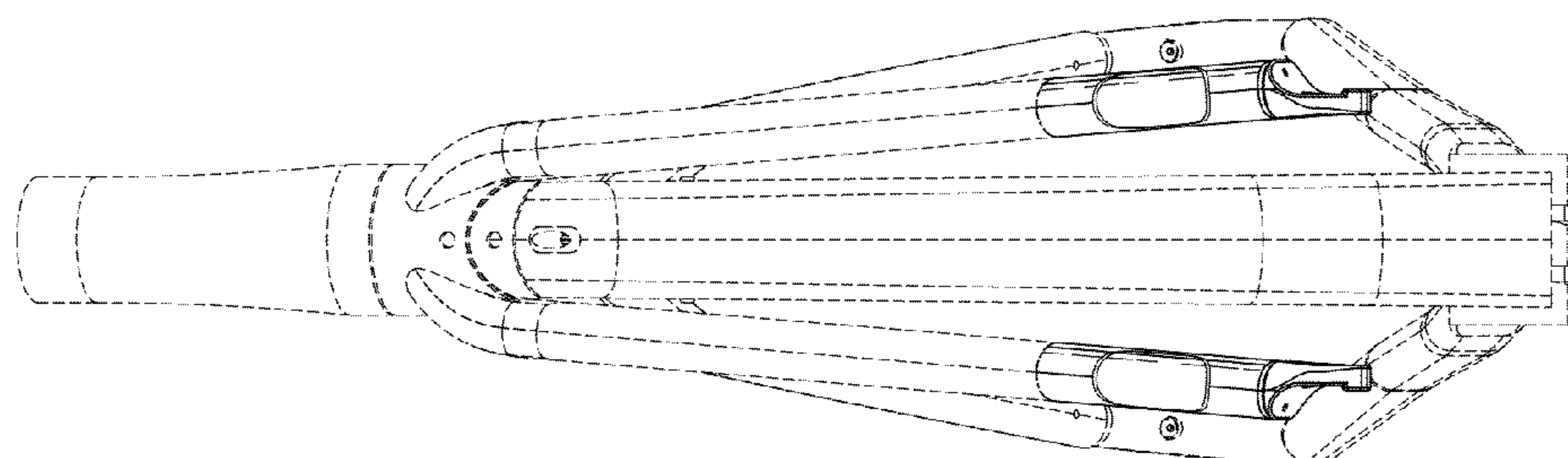


FIG. 4

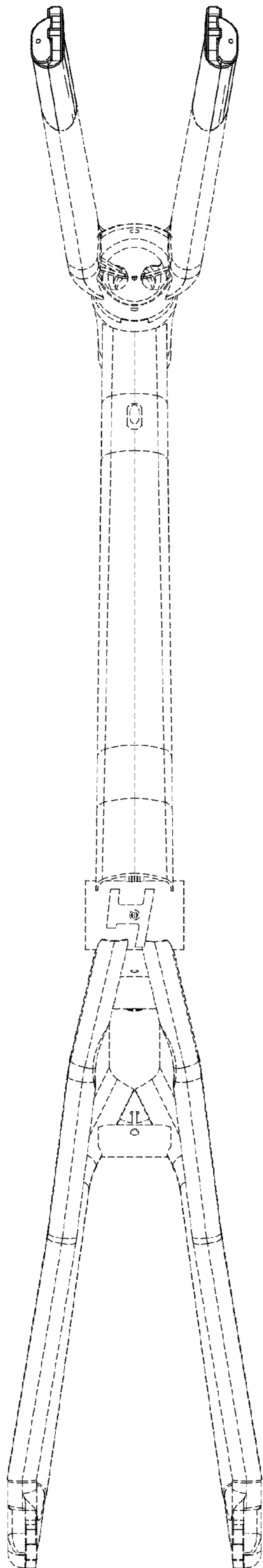


FIG. 5

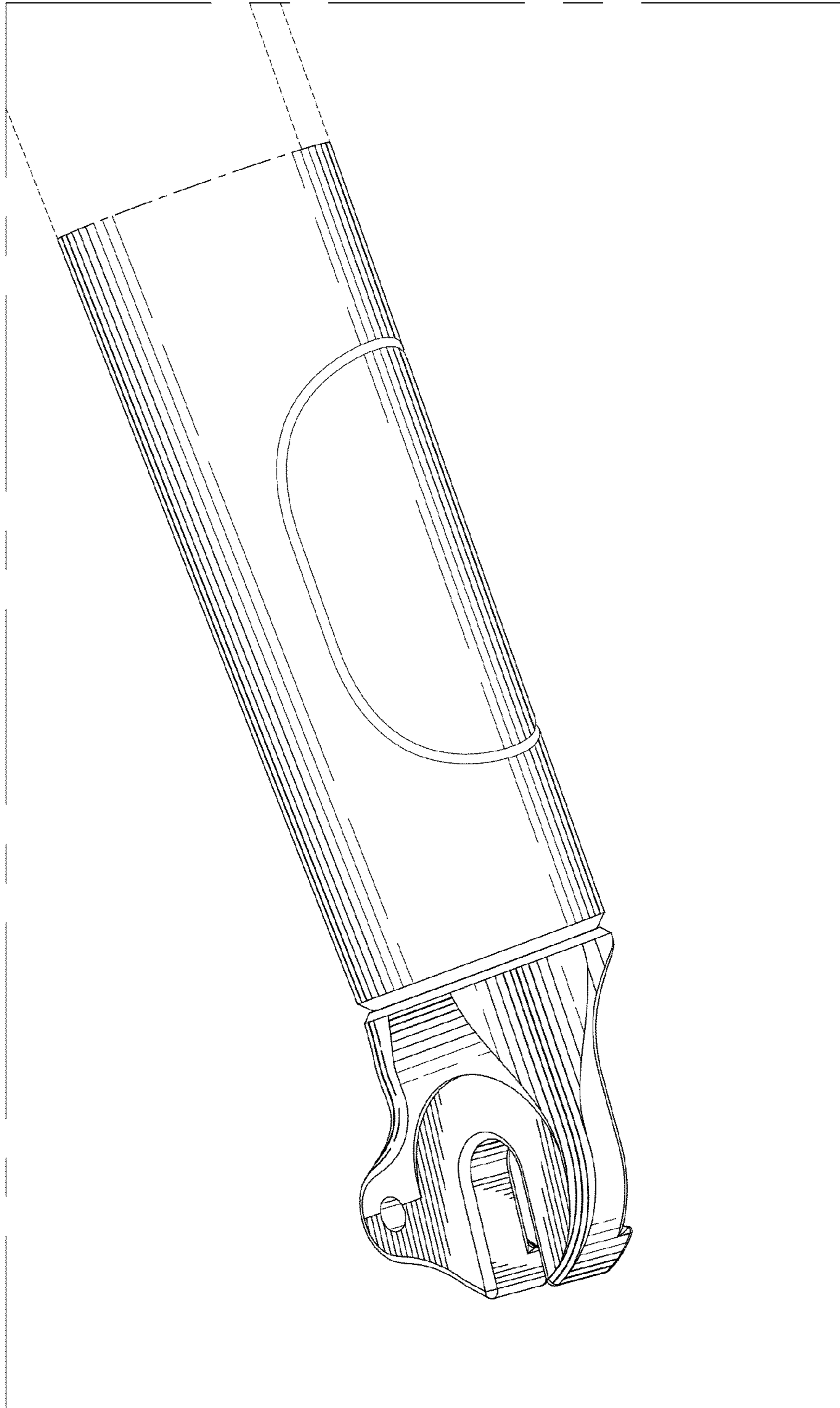


FIG. 7