



US00D735086S

(12) **United States Design Patent**  
**Talios et al.**

(10) **Patent No.:** **US D735,086 S**  
(45) **Date of Patent:** **\*\* Jul. 28, 2015**

(54) **ELECTRIC DIRT BIKE**

FOREIGN PATENT DOCUMENTS

(71) Applicant: **Dynacraft BSC, Inc.**, American Canyon, CA (US)

JP 2010120625 A \* 6/2010 ..... B62K 11/04  
JP 2013103565 A \* 5/2013 ..... B62K 11/04

(72) Inventors: **Bill Talios**, Petaluma, CA (US); **David Castrucci**, Napa, CA (US); **John Bisges**, Petaluma, CA (US)

OTHER PUBLICATIONS

JC Hilderbrand. "2010 Kawasaki KX250F and KX450F First Look." Motorcycle USA., Jun. 16, 2009 [online], [retrieved on Oct. 22, 2014]. Retrieved from the Internet <URL: http://www.motorcycle-usa.com/627/3771/Motorcycle-Article/2010-Kawasaki-KX250F-and-KX450F-First-Look.aspx>.\*

(73) Assignee: **Dynacraft BSC, Inc.**, American Canyon, CA (US)

(Continued)

(\*\*) Term: **14 Years**

(21) Appl. No.: **29/481,612**

*Primary Examiner* — Philip S Hyder  
*Assistant Examiner* — Darlington Ly

(22) Filed: **Feb. 7, 2014**

(74) *Attorney, Agent, or Firm* — Michael Best & Friedrich LLP

(51) **LOC (10) Cl.** ..... **12-11**

(52) **U.S. Cl.**  
USPC ..... **D12/110**

(57) **CLAIM**

We claim the ornamental design for an electric dirt bike, as shown and described.

(58) **Field of Classification Search**  
USPC ..... D12/109, 110, 111, 114, 117, 126, 184, D12/186; D21/432, 458, 538; 180/210–217, 180/219, 220, 225, 229, 908; 280/103, 124, 280/152.1–152.3, 288.2, 288.4, 304.3, 770, 280/827, 828, 847, 848; 296/77.1, 78.1, 296/181.1, 187.01, 187.12, 192, 193.01, 296/193.04, 193.05, 193.09; 446/440  
CPC ..... B62D 37/00; B62D 57/00; B62K 9/00; B62K 11/04; B62K 17/00; B62K 19/48; B62M 7/12; F02B 61/02; A63H 17/21; B62J 17/00; B62J 17/04; B62J 29/00  
See application file for complete search history.

**DESCRIPTION**

FIG. 1 is a perspective view of an electric dirt bike embodying the invention.  
FIG. 2 is a left side elevation view of an electric dirt bike shown in FIG. 1.  
FIG. 3 is a right side elevation view of an electric dirt bike shown in FIG. 1.  
FIG. 4 is a front elevation view of an electric dirt bike shown in FIG. 1.  
FIG. 5 is a rear elevation view of an electric dirt bike shown in FIG. 1.  
FIG. 6 is a top plan view of an electric dirt bike shown in FIG. 1; and,  
FIG. 7 is a bottom plan view of an electric dirt bike shown in FIG. 1.  
The broken lines shown in the drawings illustrate portions of the electric dirt bike that form no part of the claimed design.

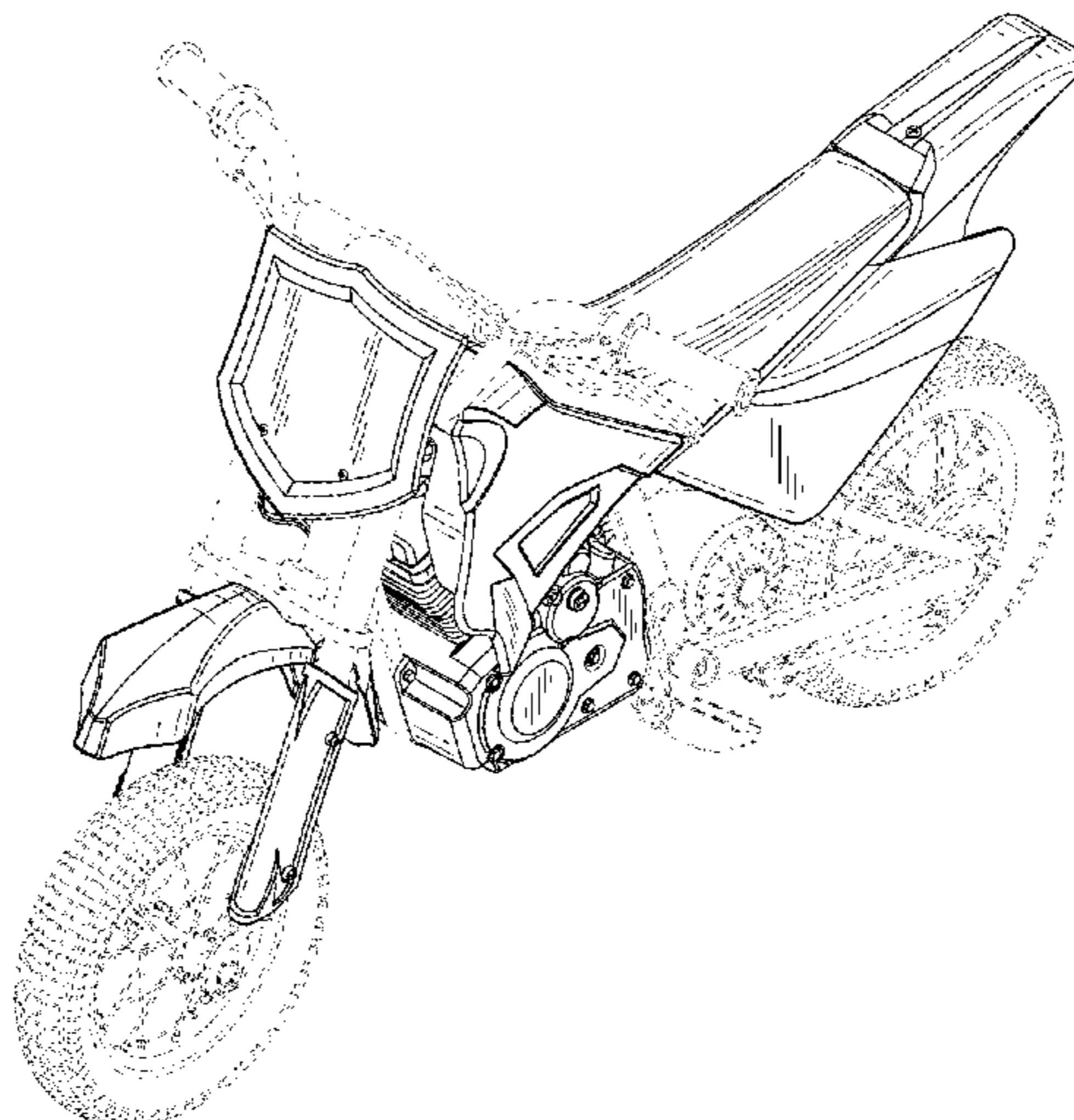
(56) **References Cited**

U.S. PATENT DOCUMENTS

D311,507 S \* 10/1990 Sasaki et al. .... D12/110  
D368,242 S \* 3/1996 Camfield et al. .... D12/111  
D385,226 S \* 10/1997 Mogi et al. .... D12/110  
D387,017 S \* 12/1997 Wakita et al. .... D12/110

(Continued)

**1 Claim, 7 Drawing Sheets**



(56)

**References Cited**

U.S. PATENT DOCUMENTS

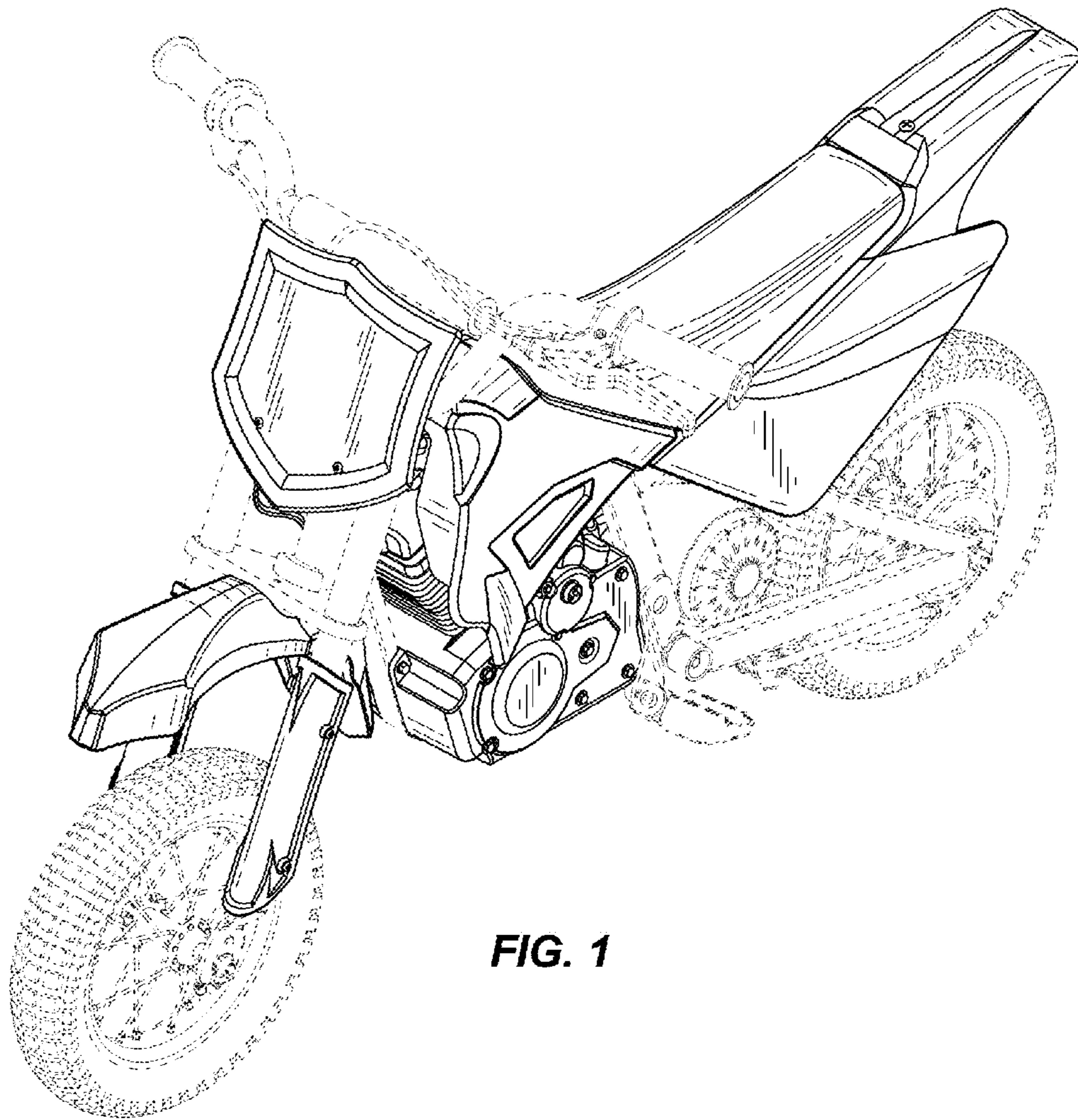
D430,822	S	*	9/2000	Sakaguchi et al.	.....	D12/110
D431,501	S	*	10/2000	Yamamoto et al.	.....	D12/110
D456,315	S	*	4/2002	Sawabe et al.	.....	D12/110
D482,639	S	*	11/2003	Yamamoto et al.	.....	D12/110
D501,431	S	*	2/2005	Hirano	.....	D12/110
D523,783	S	*	6/2006	Sugimoto	.....	D12/110
D524,191	S	*	7/2006	Sugimoto	.....	D12/110
D609,610	S	*	2/2010	Inose	.....	D12/110
2005/0029773	A1	*	2/2005	Day et al.	.....	280/284

OTHER PUBLICATIONS

“A Dubach KTM 250SX-F.” Dubach Racing., Jul. 12, 2010 [online], [retrieved on Oct. 22, 2014]. Retrieved from the Internet <URL:

<http://www.dubachracing.com/drdnews/wp-content/uploads/2010/07/KTM250-Dirt-Bike-Mag-2.pdf>>.\*  
 TwoWheelMania. “Suzuki Launches 2013 RM-Z Motocross Bikes.” Two Wheel Mania., Jul. 3, 2012 [online], [retrieved on Oct. 22, 2014]. Retrieved from the Internet <URL: <http://www.twowheelmania.com/2012/07/03/suzuki-launches-2013-rm-z-motocross-bikes/>>.\*  
 MX350 Bike picture and specification, [www.razor.com](http://www.razor.com), website accessed Feb. 26, 2014 (1 page).  
 MX350/MX400 Bike Operator Manual, [www.razor.com](http://www.razor.com), website accessed Feb. 26, 2014 (14 pages).  
 MX500 Bike picture and specification, [www.razor.com](http://www.razor.com), website accessed Feb. 26, 2014 (1 page).  
 MX500/MX650 Bike Operator Manual, [www.razor.com](http://www.razor.com), website accessed Feb. 26, 2014 (13 pages).  
 MX650 Bike picture and specification, [www.razor.com](http://www.razor.com), website accessed Feb. 26, 2014 (1 page).

\* cited by examiner



**FIG. 1**

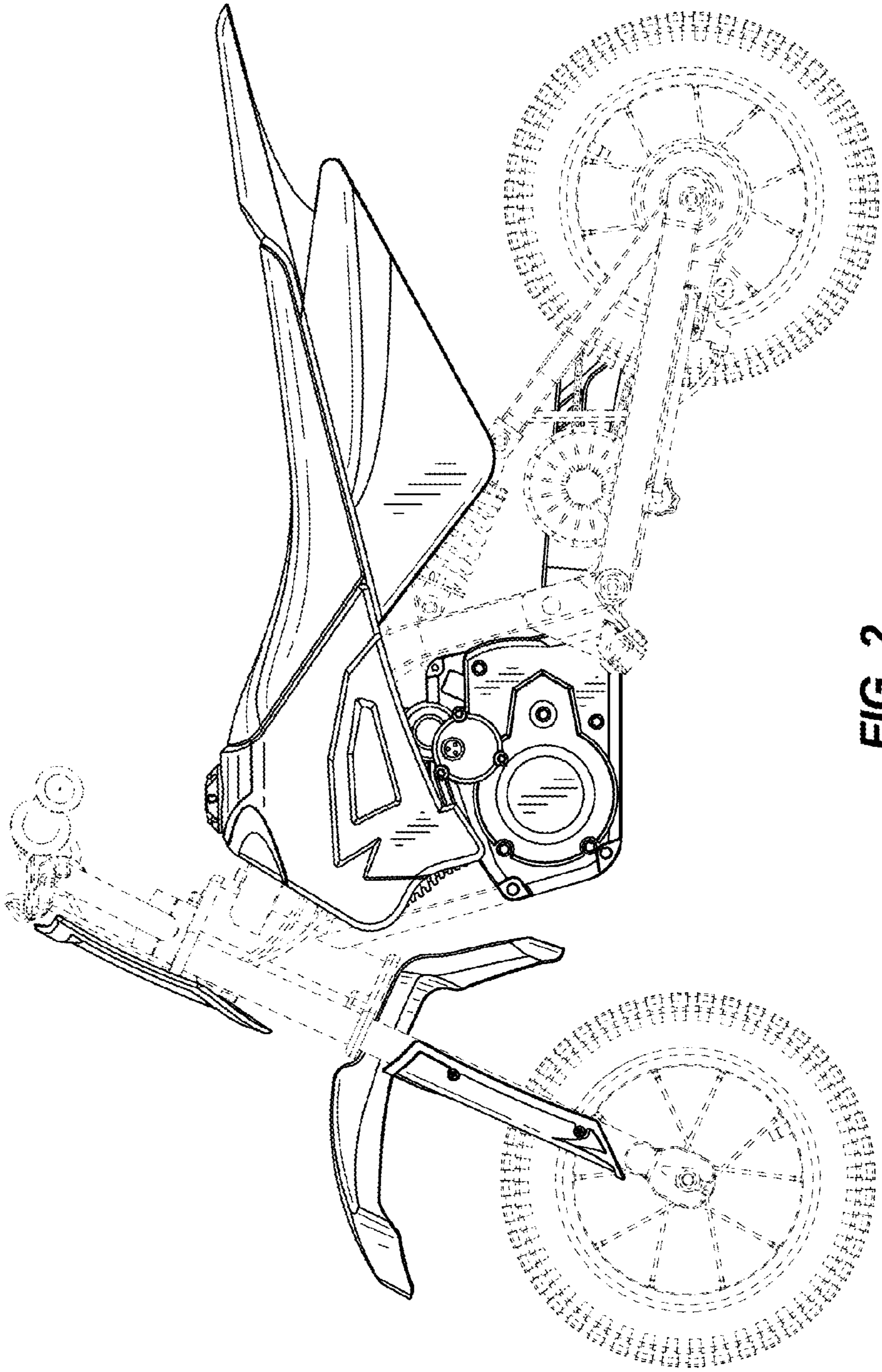


FIG. 2

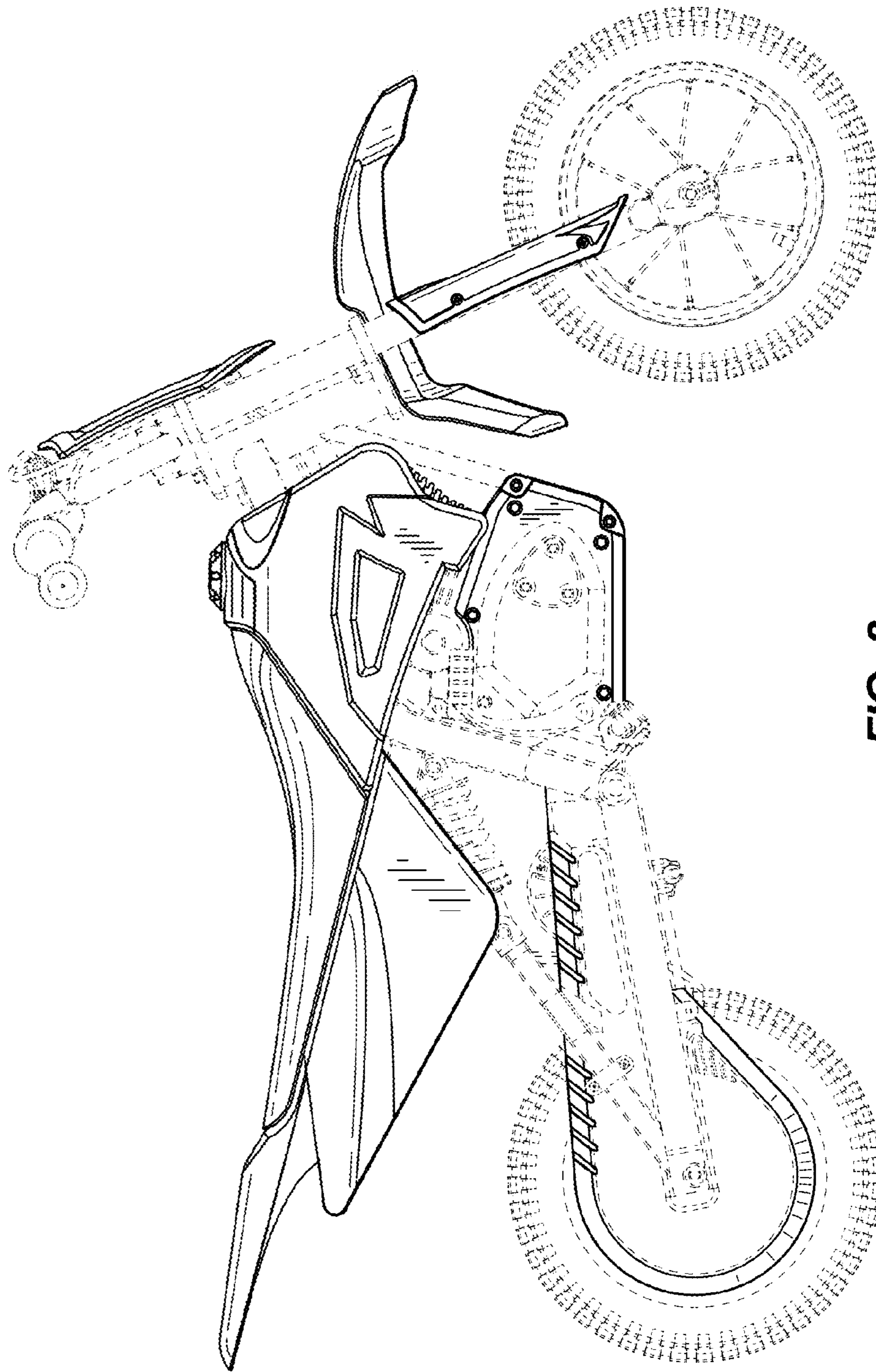
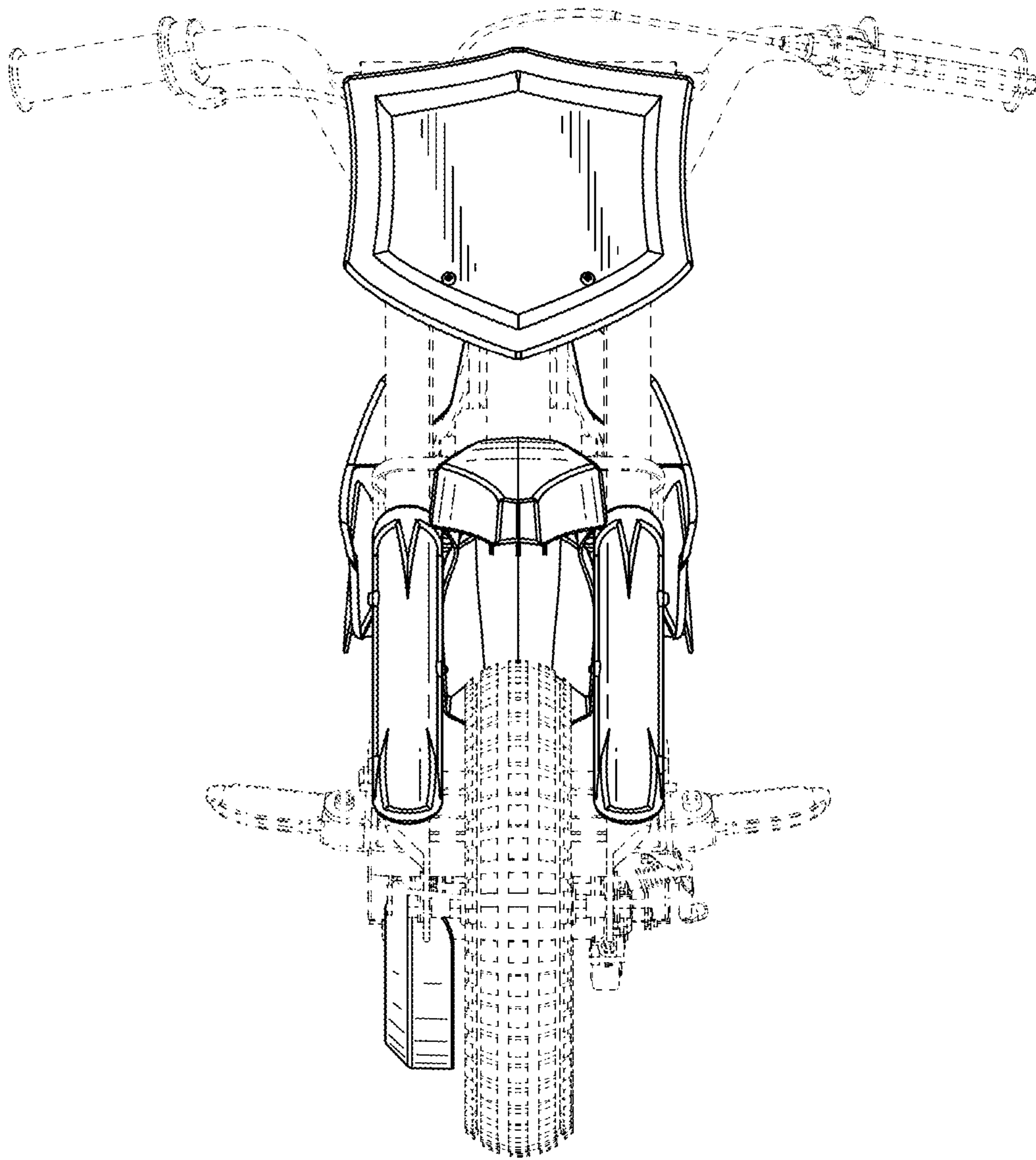
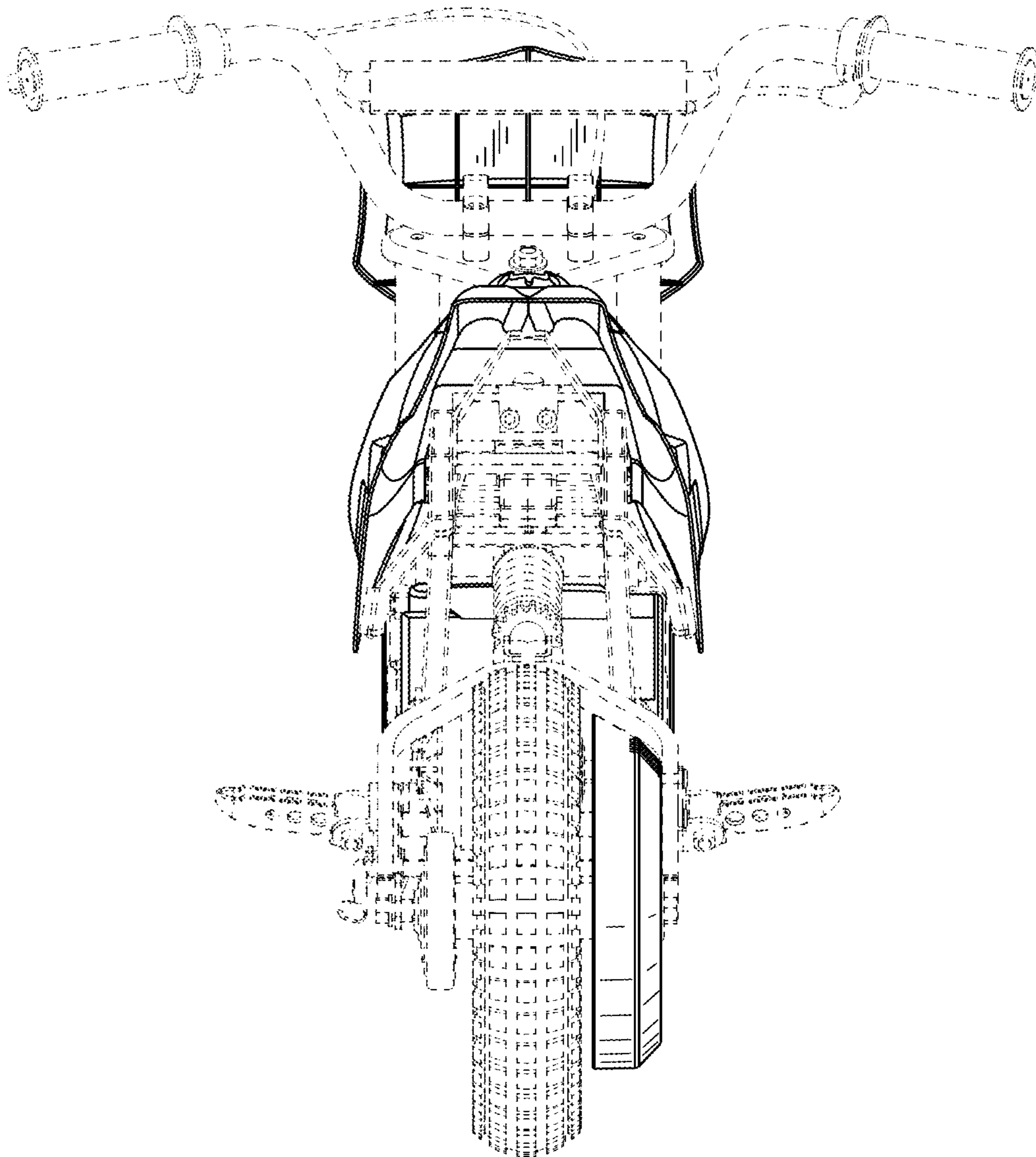


FIG. 3



**FIG. 4**



**FIG. 5**

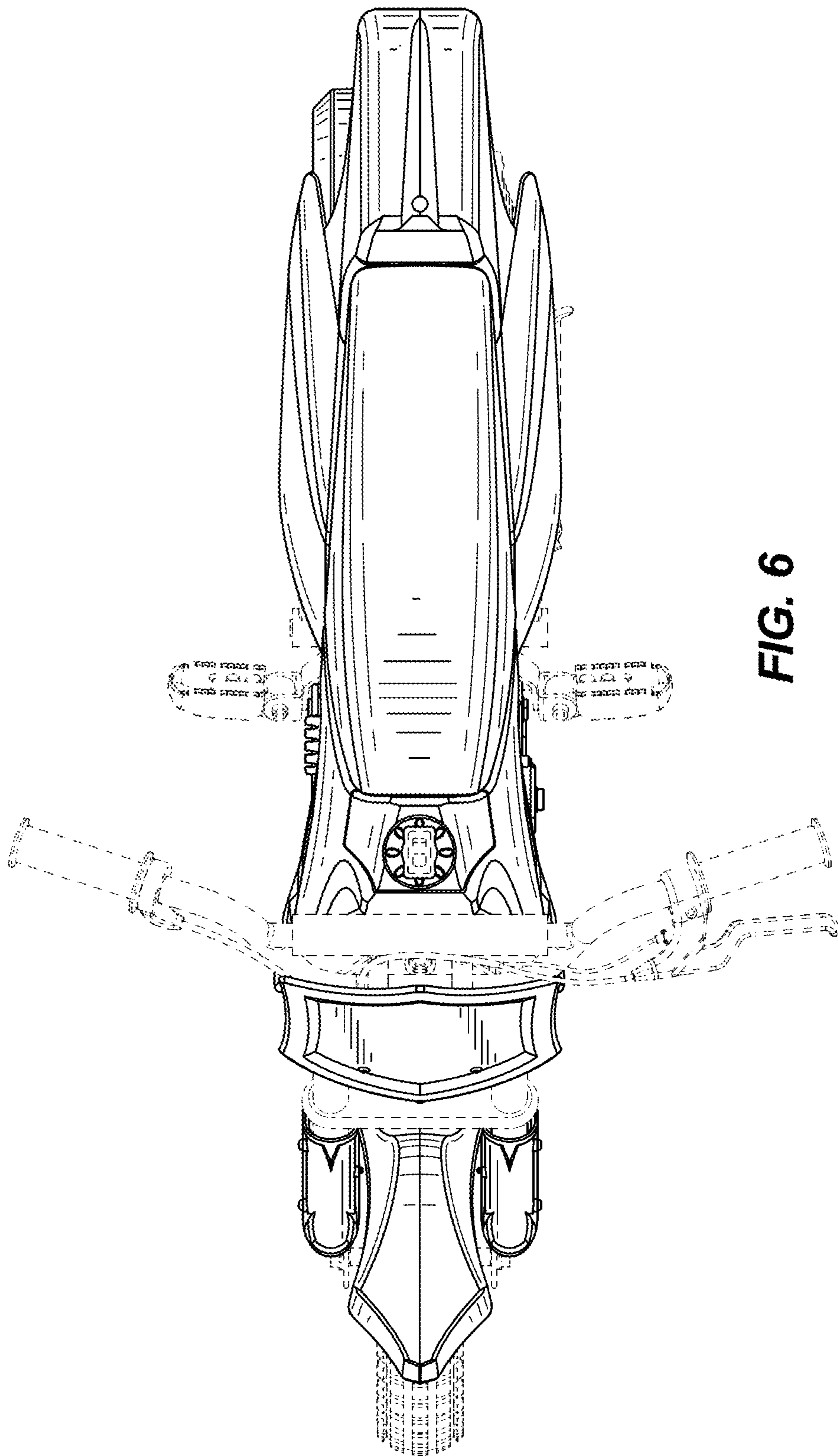


FIG. 6



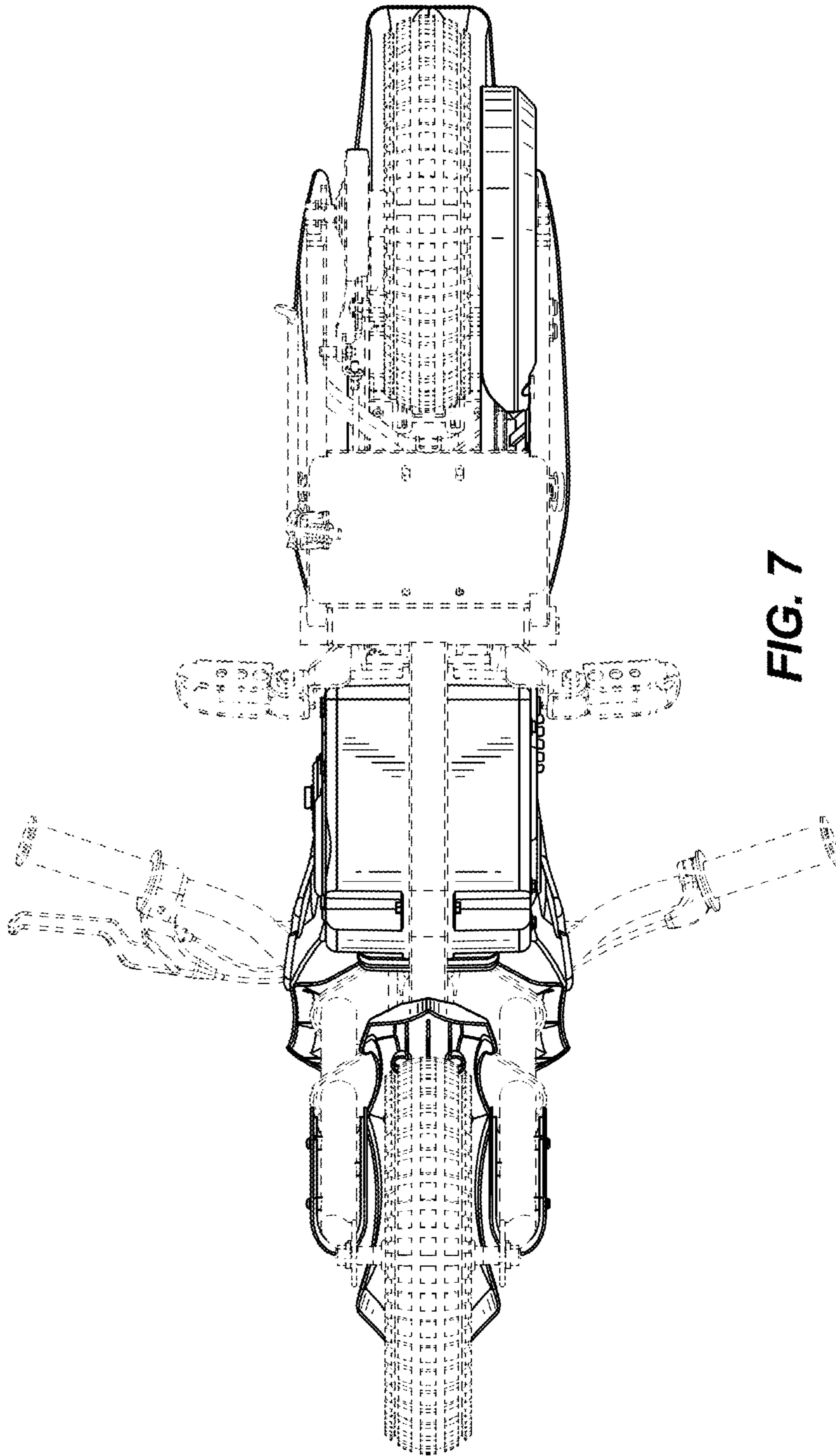


FIG. 7