



US00D735083S

(12) **United States Design Patent**  
**Kiragu**

(10) **Patent No.:** **US D735,083 S**  
(45) **Date of Patent:** **\*\* Jul. 28, 2015**

(54) **TRAILER WITH CAR LIFTING ASSEMBLY**

(71) Applicant: **Jacob Kiragu**, Palm Beach, FL (US)

(72) Inventor: **Jacob Kiragu**, Palm Beach, FL (US)

(\*\*) Term: **14 Years**

(21) Appl. No.: **29/470,079**

(22) Filed: **Oct. 17, 2013**

**Related U.S. Application Data**

(63) Continuation-in-part of application No. 13/664,114, filed on Oct. 30, 2012.

(51) **LOC (10) Cl.** ..... **12-10**

(52) **U.S. Cl.**  
USPC ..... **D12/102**

(58) **Field of Classification Search**  
USPC ..... D12/100-106, 19, 129, 111-112;  
D34/21-26, 12, 16-19; 280/204, 205,  
280/63, 475, 482, 647; 296/168, 180,  
296/180.2, 61, 10, 100.01-100.08;  
D21/425, 435

See application file for complete search history.

(56) **References Cited**

**U.S. PATENT DOCUMENTS**

3,025,985 A \* 3/1962 Crawford ..... 414/537  
D648,656 S \* 11/2011 Crane ..... D12/101  
D661,225 S \* 6/2012 Lovett ..... D12/15

D662,856 S \* 7/2012 Burchland ..... D12/101  
D694,670 S \* 12/2013 Oren ..... D12/101  
D701,148 S \* 3/2014 Brakespeare et al. .... D12/101  
D706,683 S \* 6/2014 Cohen ..... D12/101  
D710,262 S \* 8/2014 Faye ..... D12/101  
D720,656 S \* 1/2015 Glasener ..... D12/101

\* cited by examiner

*Primary Examiner* — Katrina A Betton

(74) *Attorney, Agent, or Firm* — Melvin K. Silverman

(57) **CLAIM**

The ornamental design for a trailer with car lifting assembly, as shown and described herein.

**DESCRIPTION**

FIG. 1 is a rear perspective view of my inventive trailer with car lifting assembly.

FIG. 2 is a front elevational view of the trailer of FIG. 1.

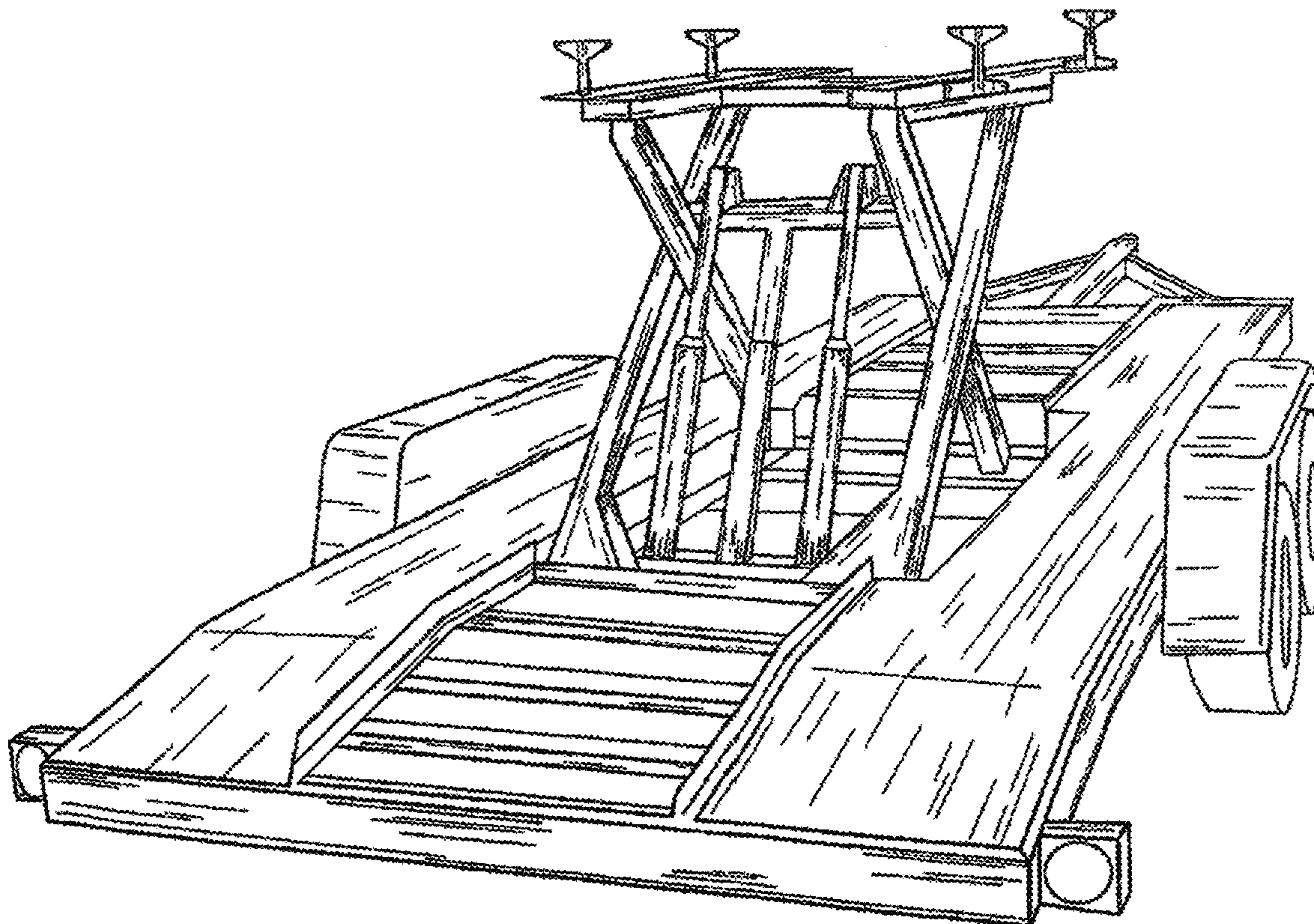
FIG. 3 is a rear elevational view of my design.

FIG. 4 is a side view of said trailer with car lifting assembly.

FIG. 5 is a top view of said trailer; and,

FIG. 6 is a bottom view thereof.

**1 Claim, 6 Drawing Sheets**



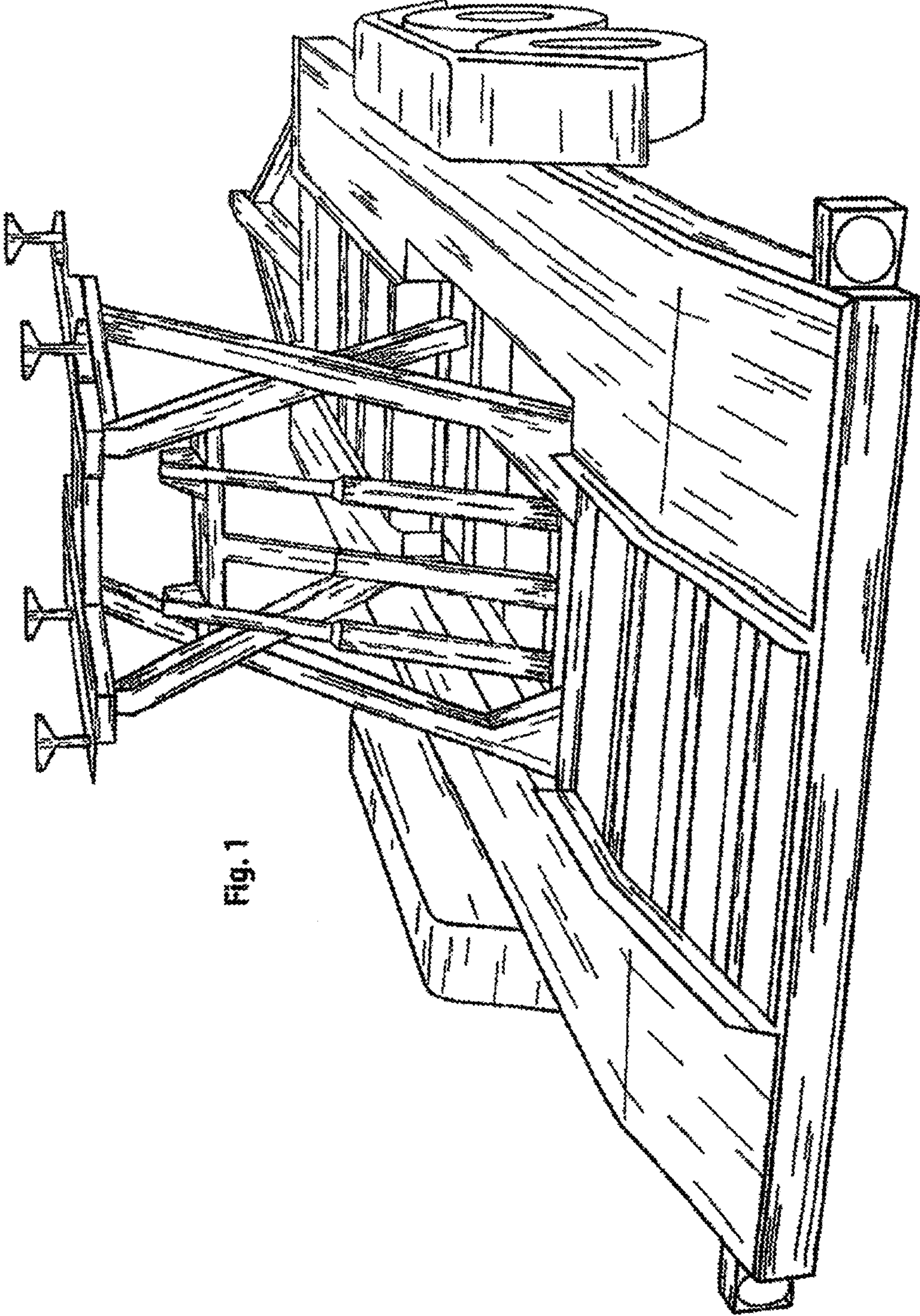


Fig. 1

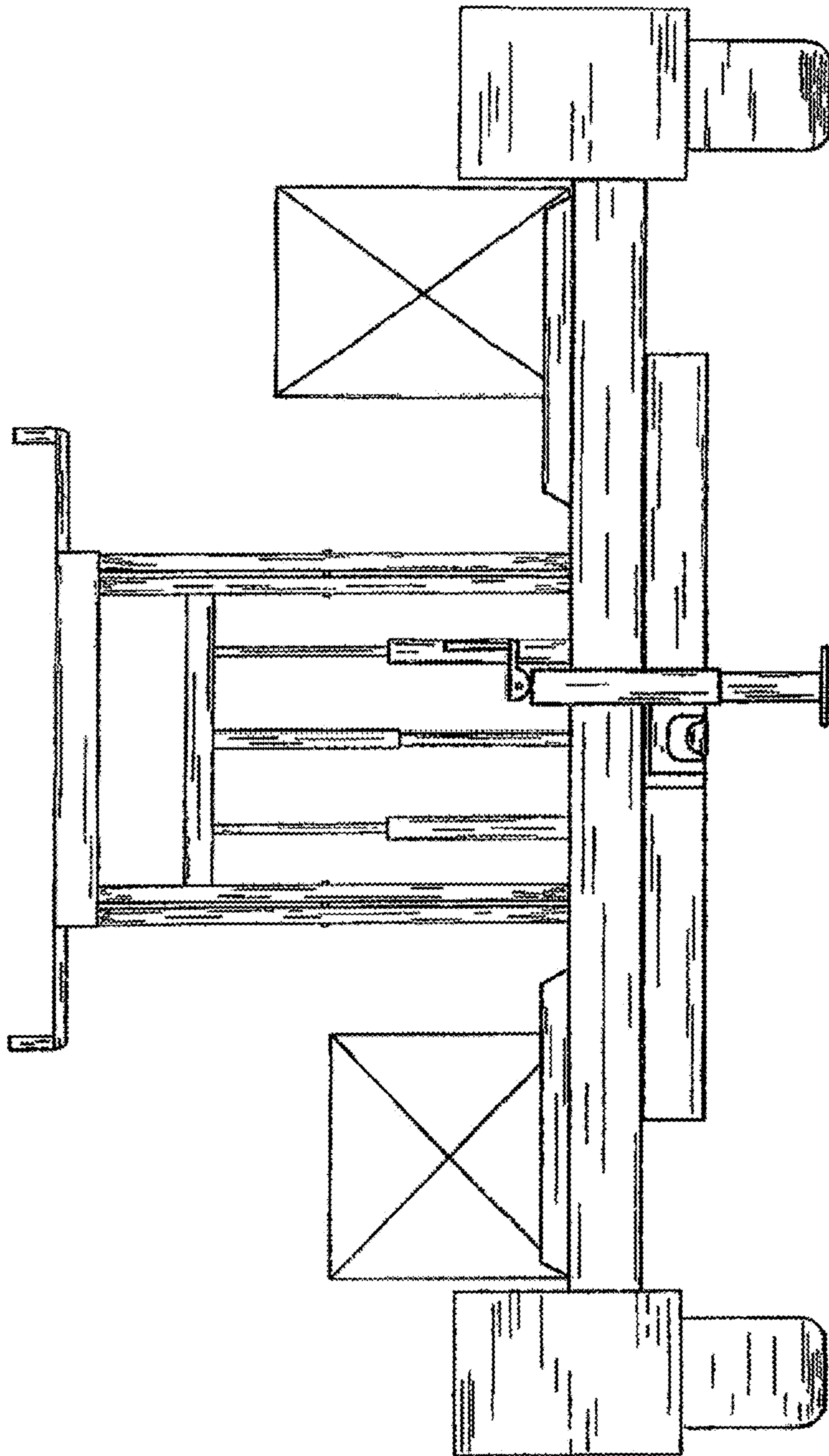


Fig. 2

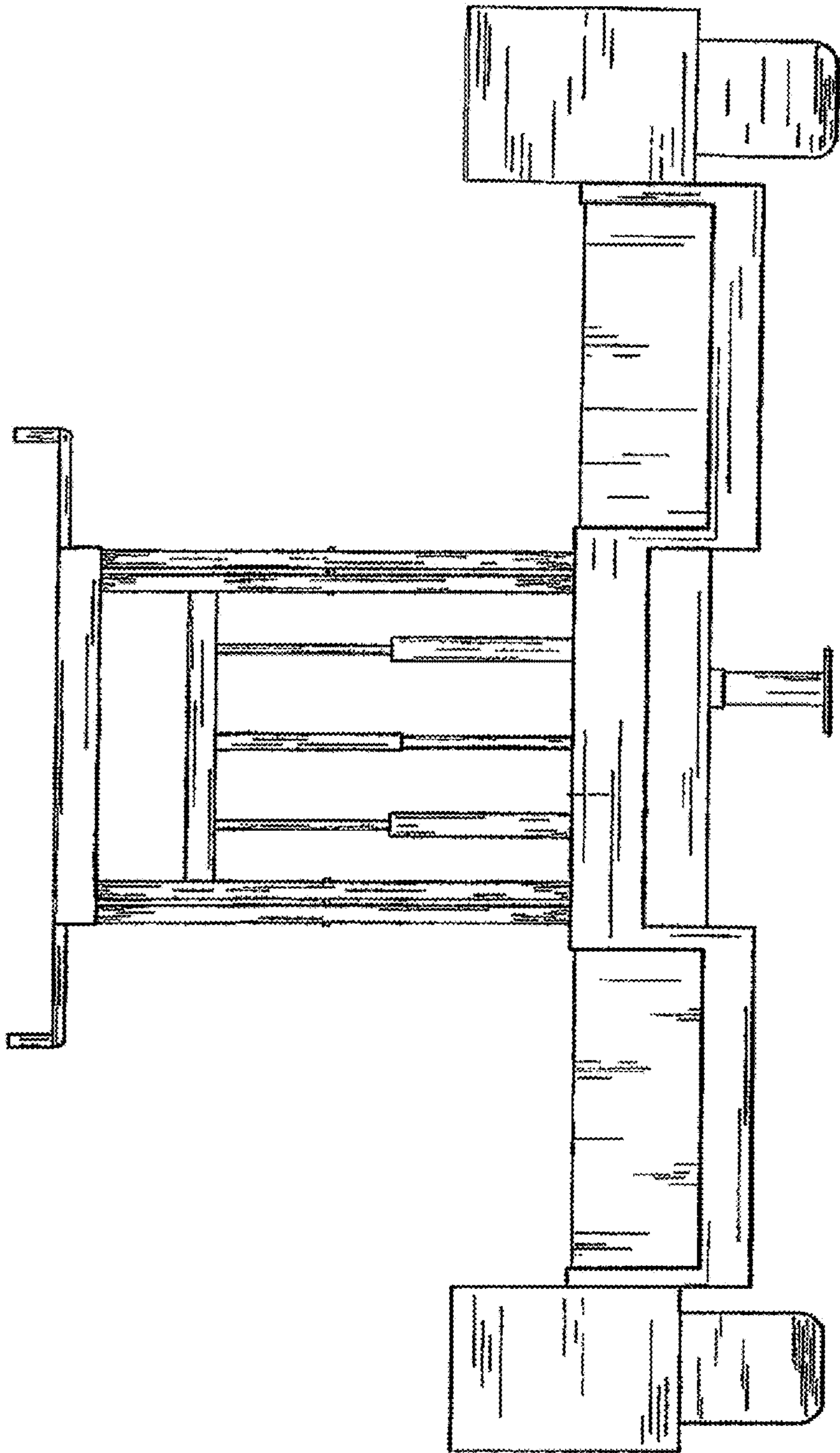


Fig. 3

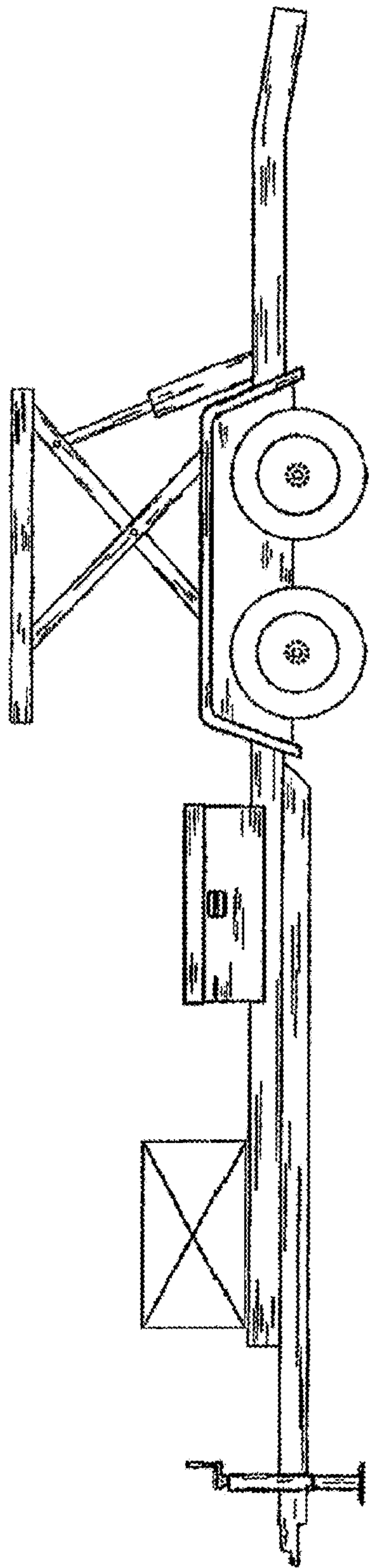


Fig. 4

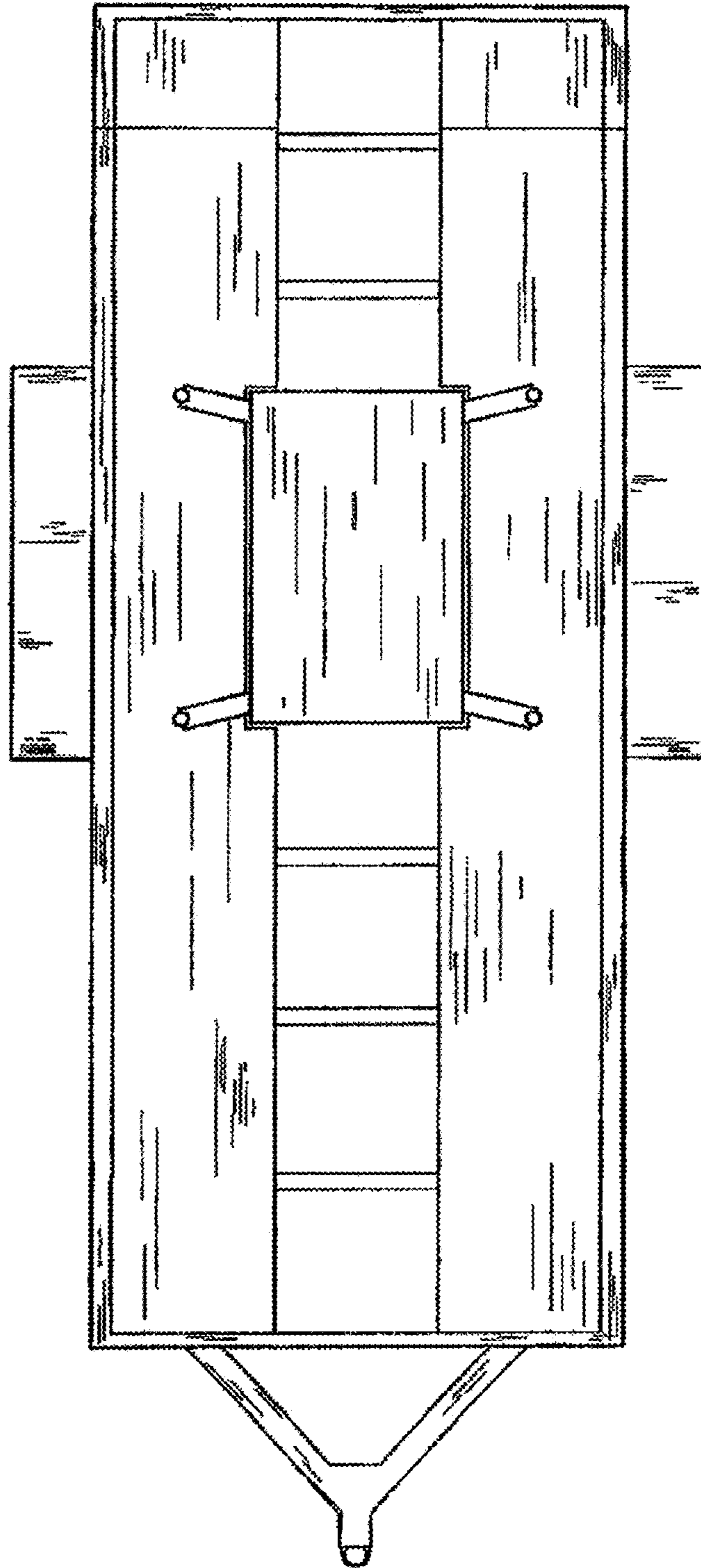


Fig. 5

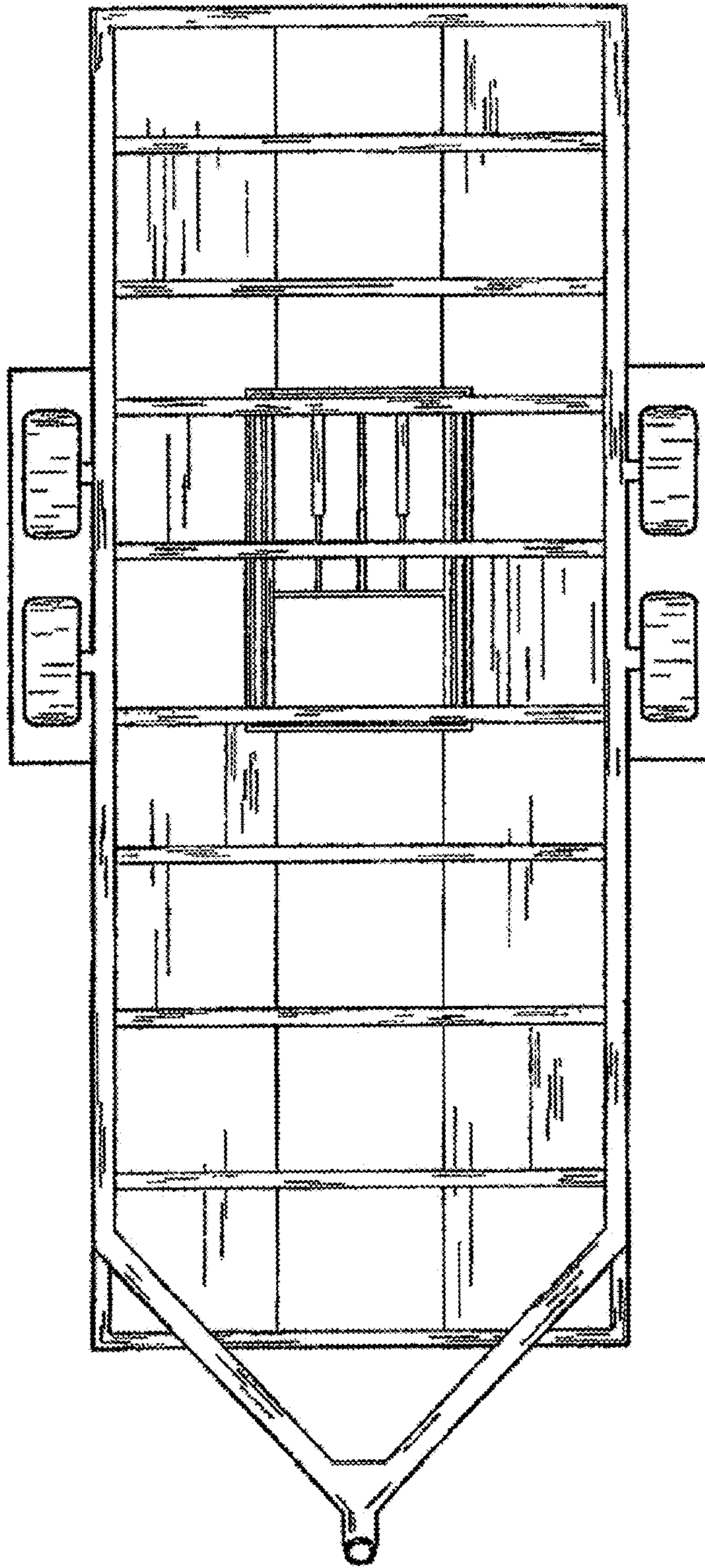


Fig. 6