



US00D735077S

(12) **United States Design Patent**
Sato et al.

(10) **Patent No.:** **US D735,077 S**

(45) **Date of Patent:** **** Jul. 28, 2015**

(54) **ALL TERRAIN VEHICLE (ATV)**

(56) **References Cited**

(71) Applicant: **HONDA MOTOR CO., LTD.**, Tokyo
(JP)

U.S. PATENT DOCUMENTS

(72) Inventors: **Yasuhiro Sato**, Tokyo (JP); **Edward Birtulescu**, Redondo Beach, CA (US); **Daisuke Nagao**, Tokyo (JP); **Eric Chin**, Irvine, CA (US); **Hiroyuki Miyazaki**, Asaka (JP); **Takao Mikami**, Rancho Palos Verdes, VA (US)

| | | | | | |
|-----------|------|---------|------------------|-------|------------|
| 7,140,670 | B2 * | 11/2006 | Olson | | 296/190.08 |
| D555,036 | S * | 11/2007 | Eck | | D12/87 |
| D578,433 | S | 10/2008 | Kawaguchi et al. | | |
| D578,934 | S * | 10/2008 | Tanaka et al. | | D12/14 |
| 7,438,153 | B2 | 10/2008 | Kalsnes et al. | | |
| D586,694 | S * | 2/2009 | Huang et al. | | D12/14 |
| D605,555 | S | 12/2009 | Tanaka et al. | | |
| D606,900 | S | 12/2009 | Flores | | |
| D622,631 | S * | 8/2010 | Lai et al. | | D12/87 |

(Continued)

(73) Assignee: **HONDA MOTOR CO., LTD.**, Tokyo
(JP)

FOREIGN PATENT DOCUMENTS

| | | | | | |
|----|------------|-----|--------|-------|------------|
| JP | 2010014008 | A * | 1/2010 | | F02D 35/00 |
| JP | 2010215165 | A * | 9/2010 | | B60K 13/02 |

(**) Term: **14 Years**

OTHER PUBLICATIONS

(21) Appl. No.: **29/473,274**

“Honda begins production on new Pioneer sport-utility vehicle!”
AMOG, Jun. 22, 2013 [online], [retrieved on Aug. 20, 2014].
Retrieved from the Internet <URL: http://www.peakofohio.com/news/details.cfm?id=82548#.U_q_QvIdWI8>.*

(22) Filed: **Nov. 20, 2013**

(Continued)

Related U.S. Application Data

(62) Division of application No. 29/445,136, filed on Feb. 7, 2013, now Pat. No. Des. 700,869.

Primary Examiner — Philip S Hyder

Assistant Examiner — Darlington Ly

(51) **LOC (10) Cl.** **12-08**

(74) *Attorney, Agent, or Firm* — Westerman, Hattori, Daniels & Adrian, LLP

(52) **U.S. Cl.**
USPC **D12/87**

(57) **CLAIM**

The ornamental design for an all terrain vehicle (ATV), as shown and described.

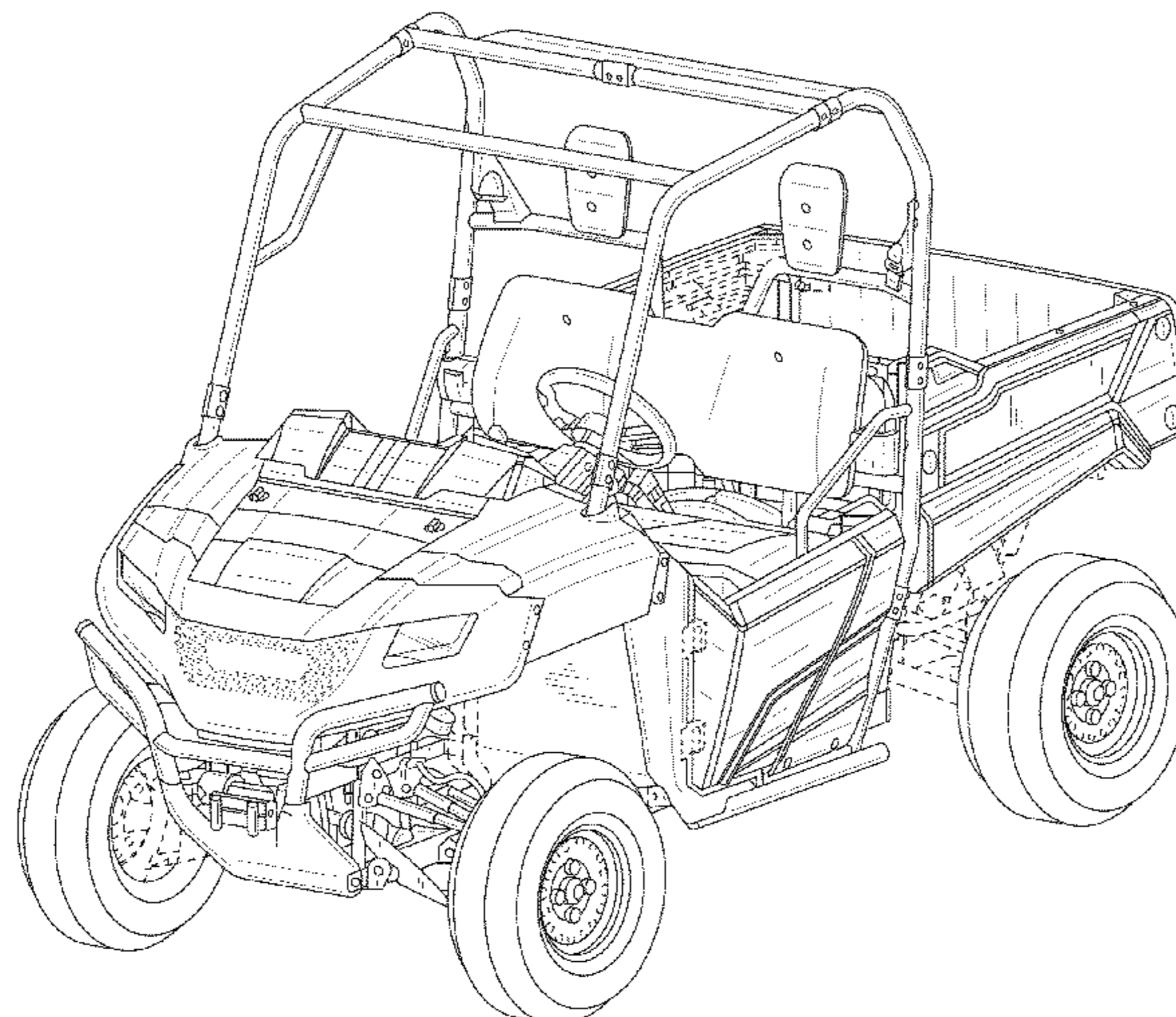
(58) **Field of Classification Search**
USPC D12/3, 4, 5, 14, 85, 86, 87, 107, 110;
280/183–185, DIG. 5, 1, 16, 82, 88, 90,
280/14; 180/233, 908
CPC A01B 59/02; A61G 3/08; B62B 5/04;
B62B 13/10; B62B 19/04; B62B 2202/04;
B62C 9/00; B62D 7/22; B62K 5/01; B60K
23/0808

DESCRIPTION

FIG. 1 is a left front perspective view of an embodiment of an all terrain vehicle (ATV);
FIG. 2 is a left side elevation view thereof;
FIG. 3 is a right side elevation view thereof;
FIG. 4 is a top plan view thereof;
FIG. 5 is a rear elevation view thereof; and,
FIG. 6 is a front elevation view thereof.

See application file for complete search history.

1 Claim, 6 Drawing Sheets



(56)

References Cited

U.S. PATENT DOCUMENTS

D625,662 S * 10/2010 Li D12/87
D631,395 S * 1/2011 Tandrup et al. D12/14
D633,006 S * 2/2011 Sanschagrin et al. D12/1
D636,295 S 4/2011 Eck et al.
7,950,486 B2 * 5/2011 Van Bronkhorst
et al. 180/89.11
D642,493 S 8/2011 Goebert et al.
D650,311 S 12/2011 Bracy
D660,746 S 5/2012 Bracy
D670,198 S 11/2012 Li et al.
D675,960 S 2/2013 Hashimoto et al.
D679,627 S 4/2013 Li et al.
D699,627 S * 2/2014 Tang D12/14

D700,869 S 3/2014 Sato et al.
8,746,719 B2 * 6/2014 Safranski et al. 280/124.148
2012/0031693 A1 * 2/2012 Deckard et al. 180/68.3
2012/0152637 A1 6/2012 Hapka
2014/0210234 A1 * 7/2014 Ricketts et al. 296/193.03

OTHER PUBLICATIONS

“2012 Polaris Side-by-Side. Which Polaris Ranger is for me?”
AMOG, Jun. 22, 2012 [online], [retrieved on Aug. 20, 2014].
Retrieved from the Internet <URL: <http://cdn.polaris.com/en-us/prod/polaris/orv/2013/documents/en-au/2012-polaris-brochure-sxs.pdf>>.*
Chilean Office Action dated Aug. 19, 2014, issued in Chilean Patent
Application No. 2013-002300, (5 pages).

* cited by examiner

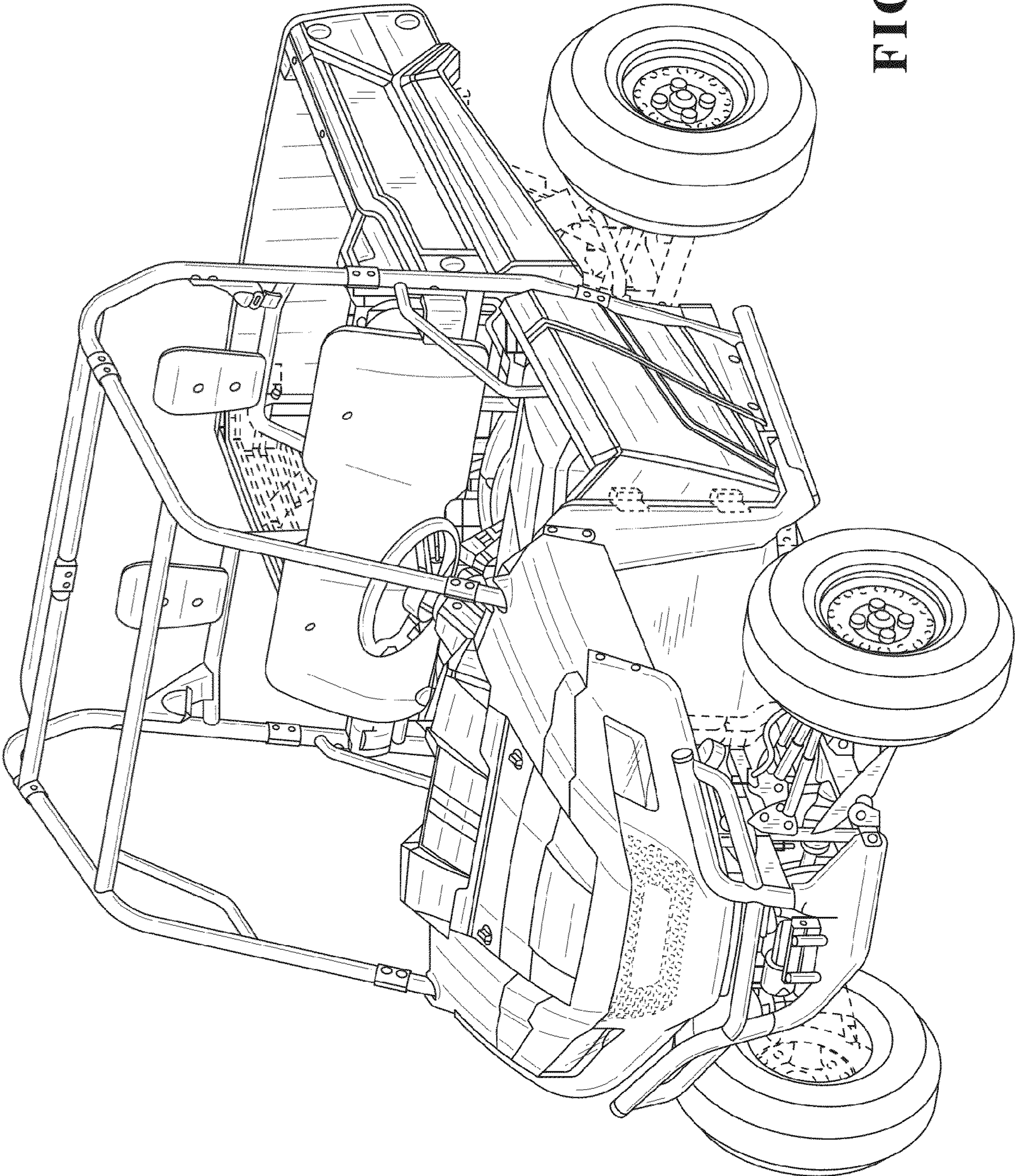


FIG. 1

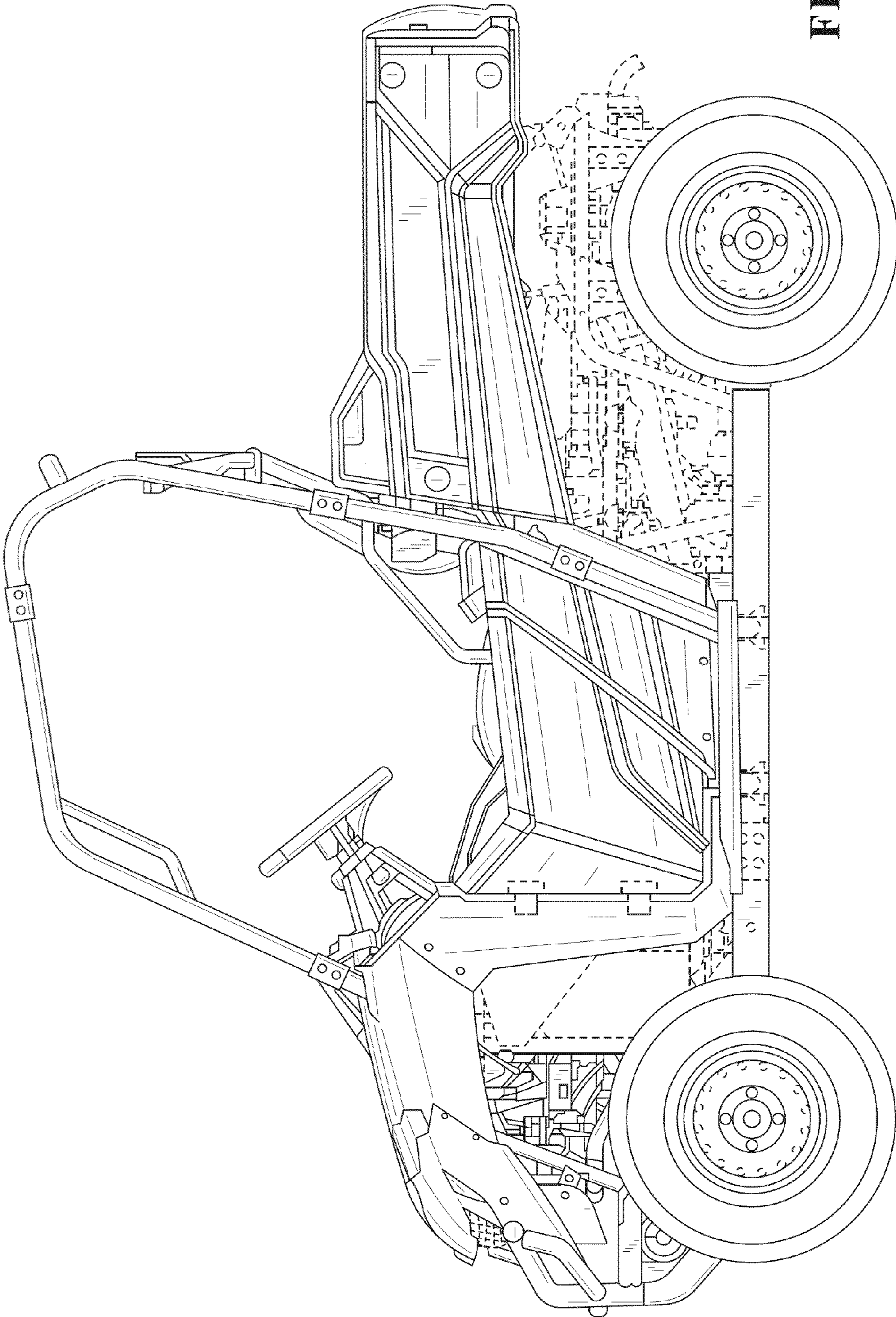


FIG. 2

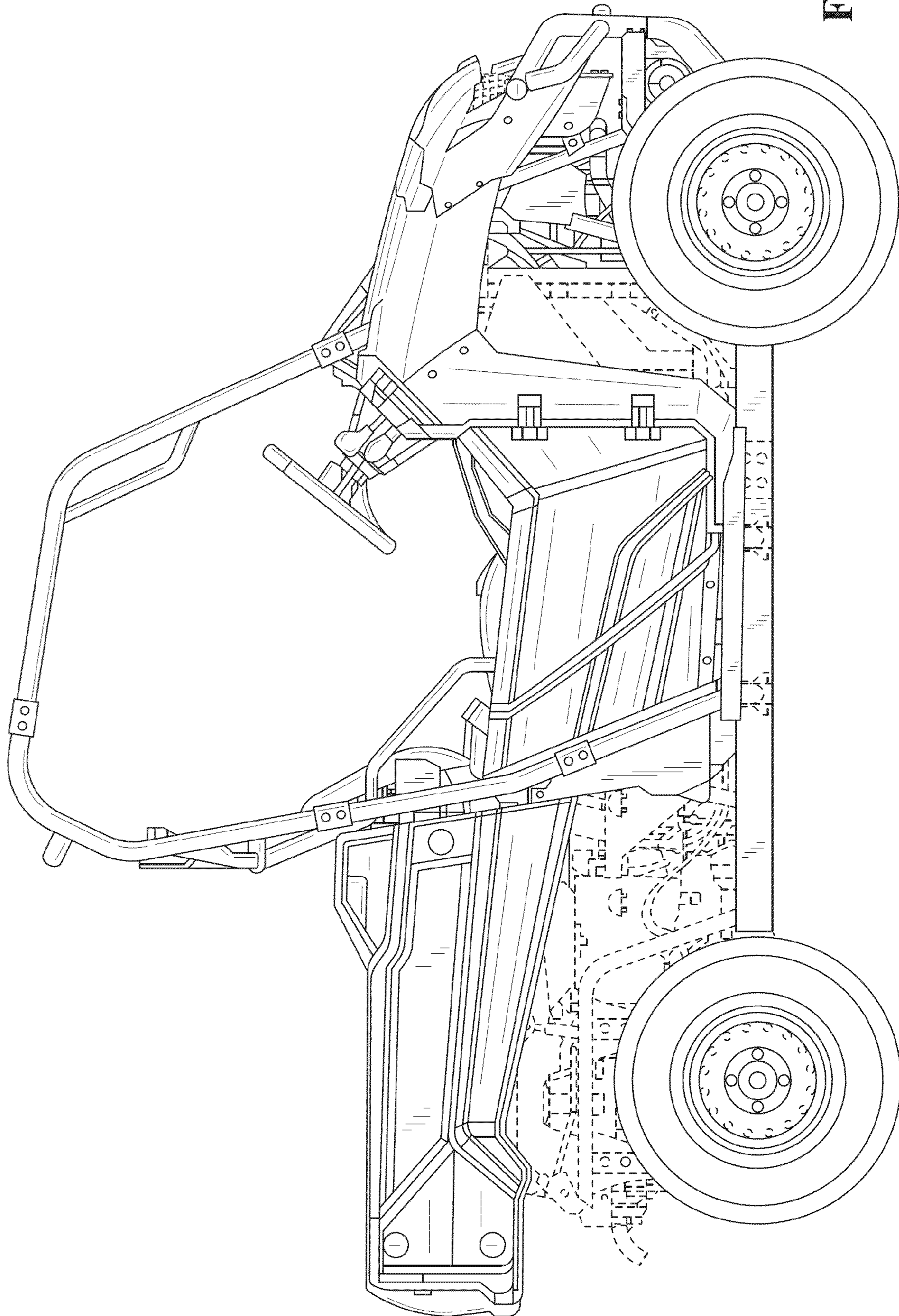


FIG. 3

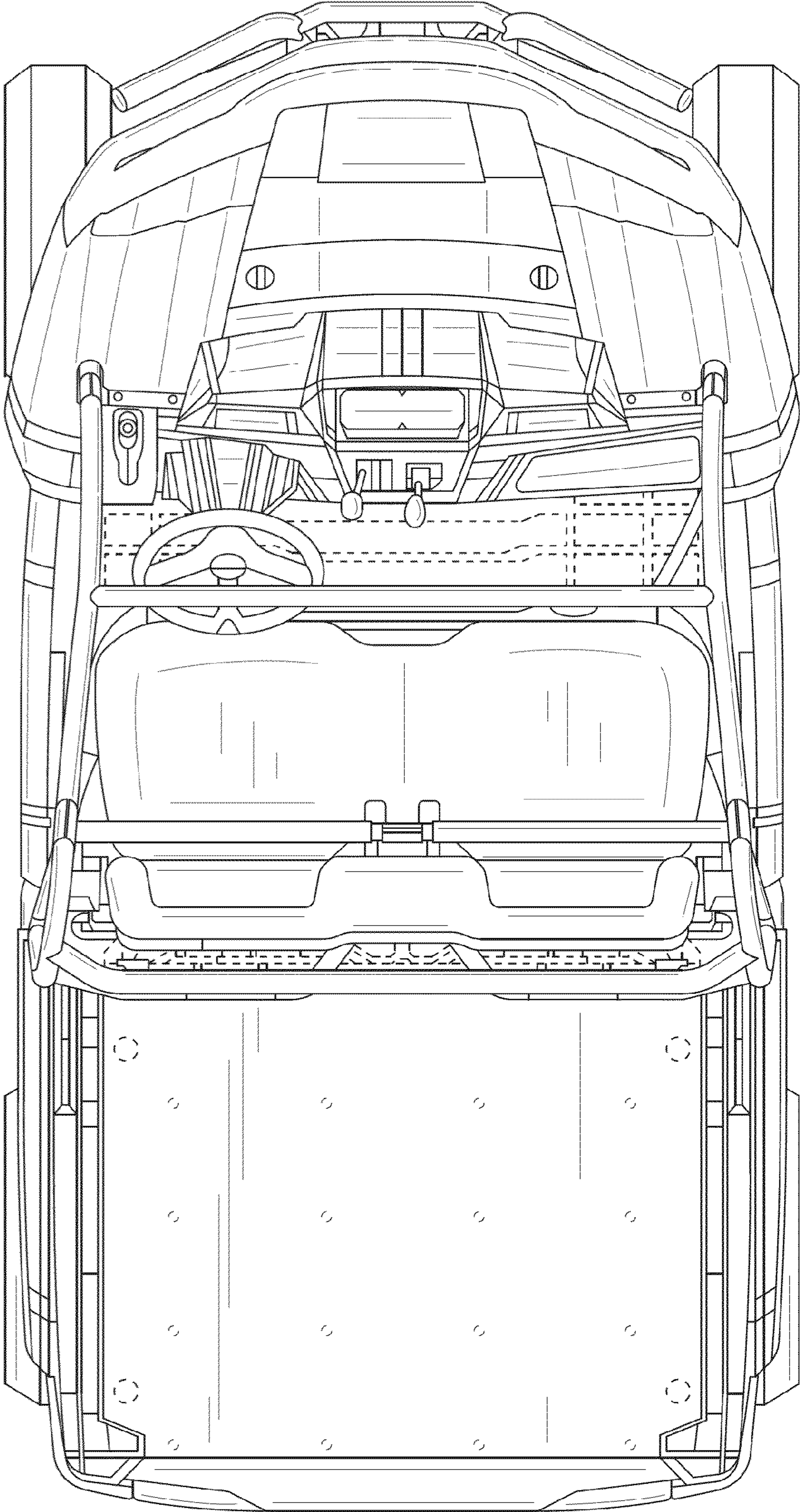


FIG. 4

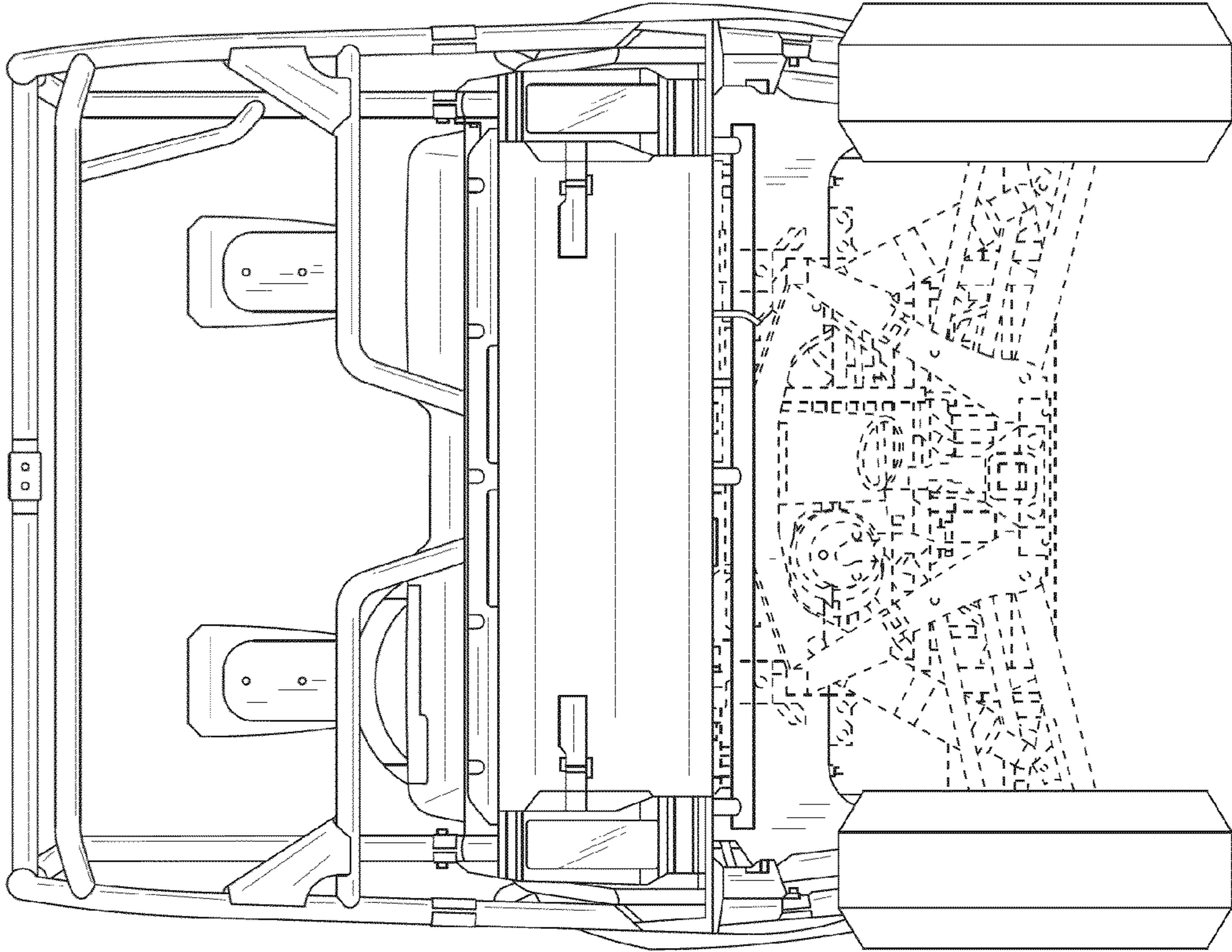


FIG. 5

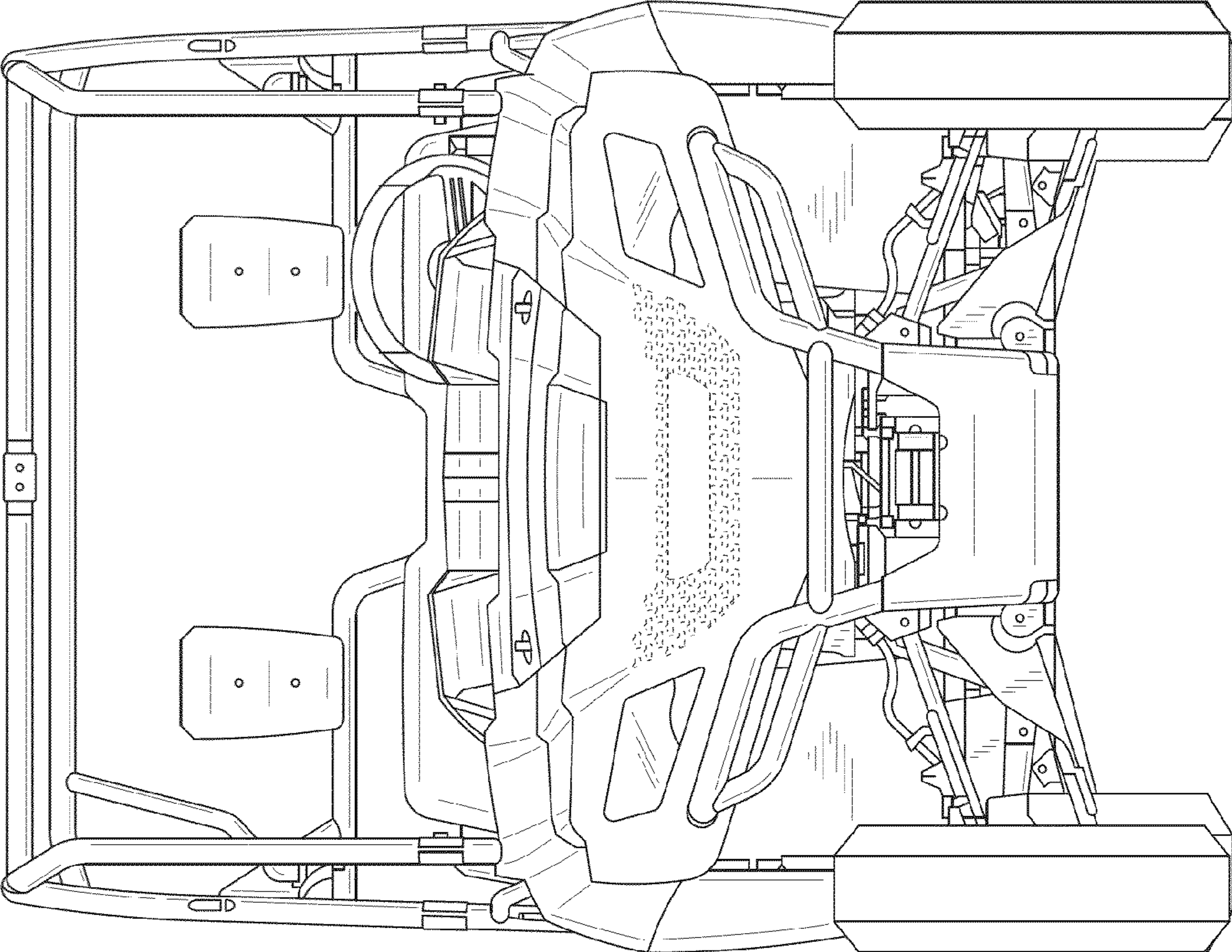


FIG. 6