

US00D735075S

(12) **United States Design Patent**  
**Hauserman et al.**

(10) **Patent No.:** **US D735,075 S**  
(45) **Date of Patent:** **\*\* Jul. 28, 2015**

(54) **CAM BUCKLE**

OTHER PUBLICATIONS

(71) Applicant: **INTELLECTUAL PROPERTY HOLDINGS, LLC**, Cleveland, OH (US)

Large Low-Pro Cam/NA ITW Nexus; website printout; <http://na.itwnexus.com/content/large-low-pro-cam>; date unknown.

(Continued)

(72) Inventors: **Jon A. Hauserman**, Parma, OH (US);  
**Josh Schmidt**, Los Angeles, CA (US)

*Primary Examiner* — Ralf Seifert

(73) Assignee: **Intellectual Property Holdings, LLC**, Cleveland, OH (US)

(74) *Attorney, Agent, or Firm* — Calfee, Halter & Griswold LLP

(\*\*) Term: **14 Years**

(57) **CLAIM**

(21) Appl. No.: **29/502,820**

The ornamental design for cam buckle, as shown and described.

(22) Filed: **Sep. 19, 2014**

(51) **LOC (10) Cl.** ..... **11-03**

(52) **U.S. Cl.**  
USPC ..... **D11/216**

**DESCRIPTION**

(58) **Field of Classification Search**  
USPC ..... D11/1-2, 200-201, 206-210, 214-218;  
24/163 R, 169-171, 173, 177-179, 191,  
24/194-195, 197, 200, 614-616, 625, 198,  
24/578.11, 578.1, 163 K, 114, 455, 573.11,  
24/598.2, 69 R; D8/394, 395  
CPC ..... A44B 11/12; A44B 11/25; A44B 11/00;  
A44B 11/26; A42B 11/06; A42B 7/00  
See application file for complete search history.

FIG. 1 is a front perspective view of a cam buckle of the new design, wherein the cam buckle is in a closed configuration; FIG. 2 is a top plan view of the cam buckle of FIG. 1; FIG. 3 is a front elevational view of the cam buckle of FIG. 1; FIG. 4 is a rear elevational view of the cam buckle of FIG. 1; FIG. 5 is a bottom plan view of the cam buckle of FIG. 1; FIG. 6 is a right side elevational view of the cam buckle of FIG. 1; FIG. 7 is a left side elevational view of the cam buckle of FIG. 1; FIG. 8 is a bottom front perspective view of the cam buckle of FIG. 1; FIG. 9 is a top front perspective view of the cam buckle of FIG. 1, wherein the cam buckle is in an open configuration; and, FIG. 10 is a top rear perspective view of the cam buckle of FIG. 1, wherein the cam buckle is in the open configuration. The portions of the Figures shown in broken lines are for illustrative purposes only and form no part of the claimed design.

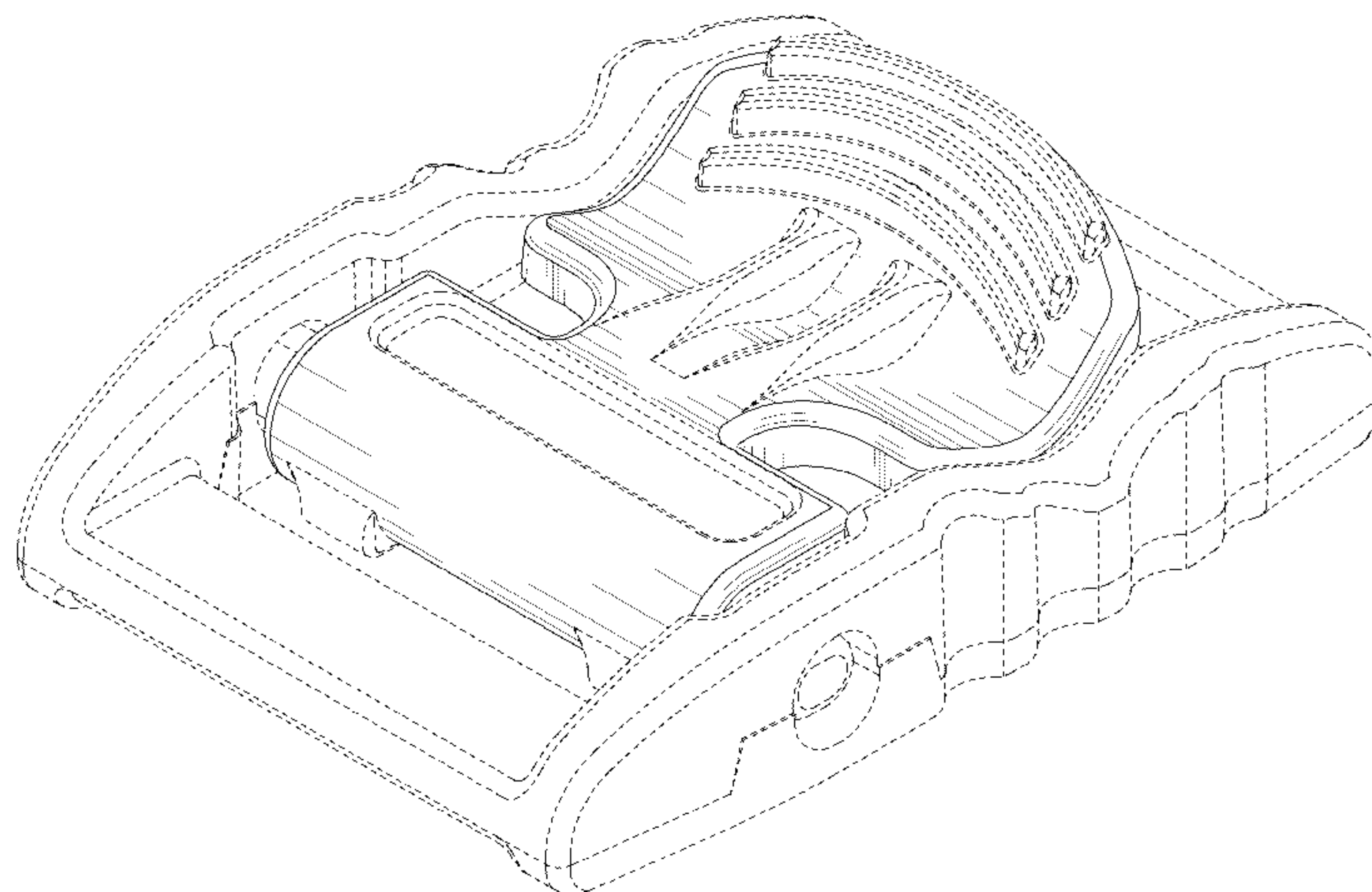
(56) **References Cited**

U.S. PATENT DOCUMENTS

3,608,158	A	9/1971	Bengtsson	
D274,861	S *	7/1984	Lindblad	D11/216
4,843,688	A *	7/1989	Ikeda	24/170
5,291,638	A *	3/1994	Huang	24/170
D362,415	S *	9/1995	Takimoto	D11/216
5,469,583	A	11/1995	Akeley et al.	
D393,606	S *	4/1998	Lin	D11/216
5,983,405	A	11/1999	Casale	

(Continued)

**1 Claim, 7 Drawing Sheets**



(56)

**References Cited**

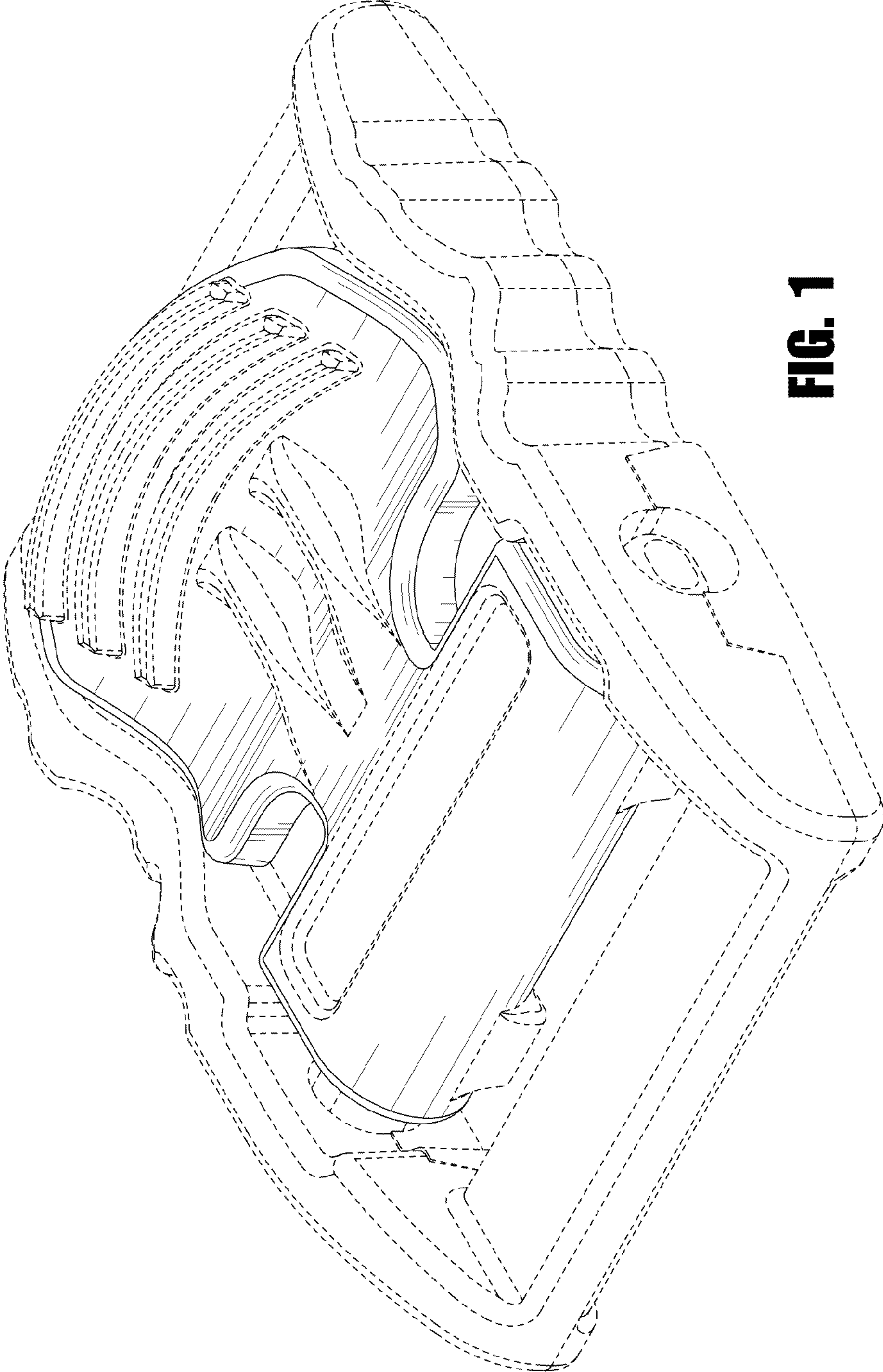
U.S. PATENT DOCUMENTS

6,360,410 B1 \* 3/2002 Lovato ..... 24/662  
6,877,189 B2 4/2005 Simonson et al.  
D511,713 S \* 11/2005 Carbonero ..... D11/212  
7,178,175 B2 2/2007 Rogers et al.  
D595,184 S \* 6/2009 Yoshiguchi ..... D11/216  
7,600,268 B2 10/2009 Rogers et al.  
8,261,417 B2 \* 9/2012 Yoshiguchi ..... 24/633  
8,353,066 B2 1/2013 Rogers et al.  
D714,682 S \* 10/2014 Paik et al. .... D11/216

OTHER PUBLICATIONS

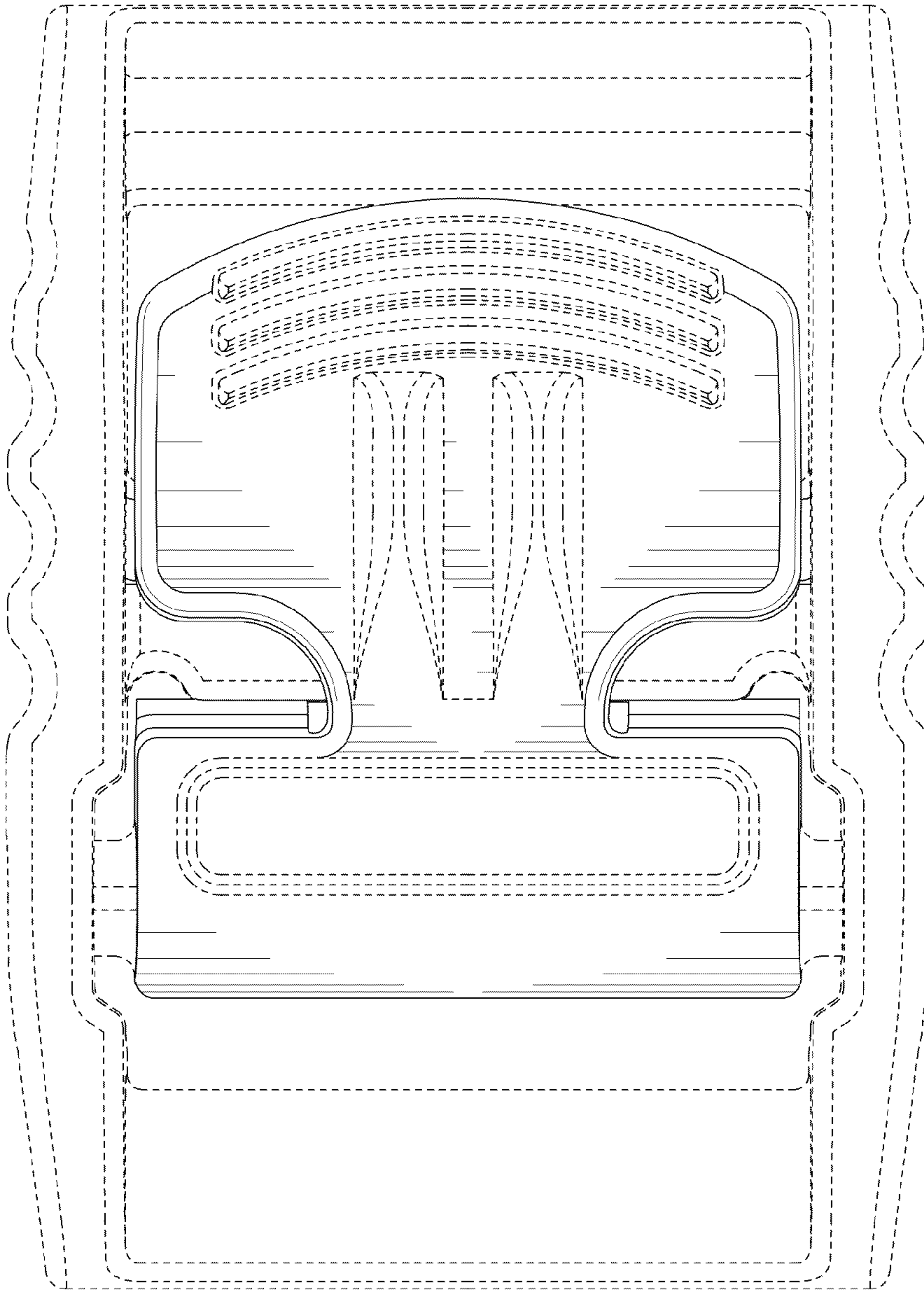
Eccentric Cam Buckle 2"/EU ITW Nexus; website printout; <http://eu.itwnexus.com/content/eccentric-cam-buckle-2>; date unknown.  
Fasnap Corp.; 2011 Catalog; vol. 6; Version 4.0 [Sep. 13, 2011]; 49 pages.

\* cited by examiner

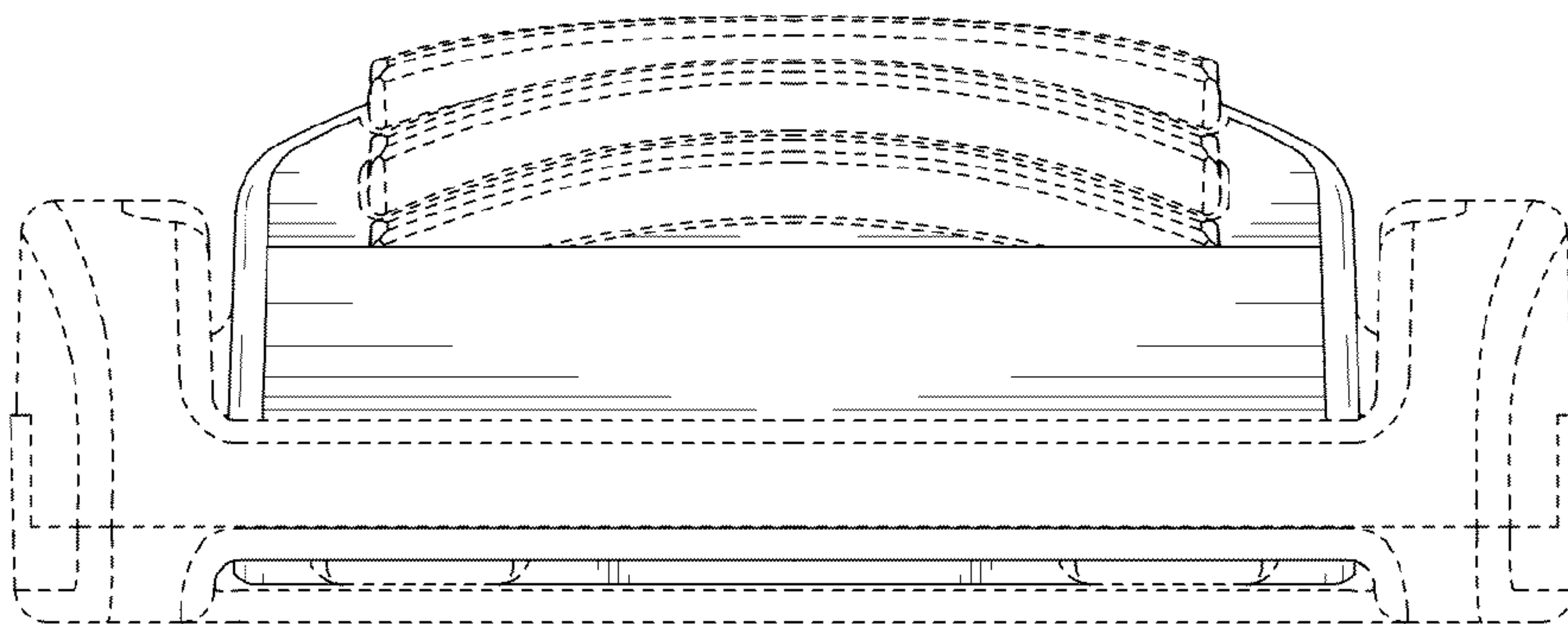


**FIG. 1**

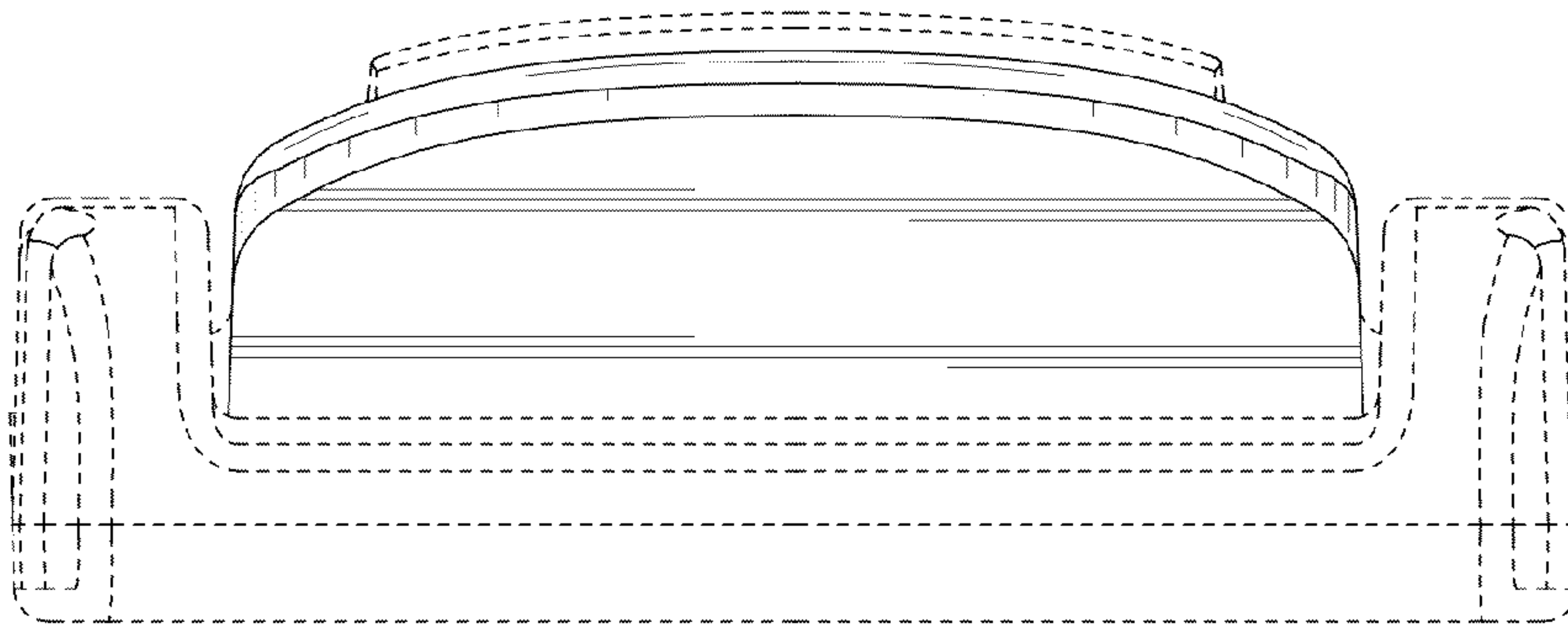




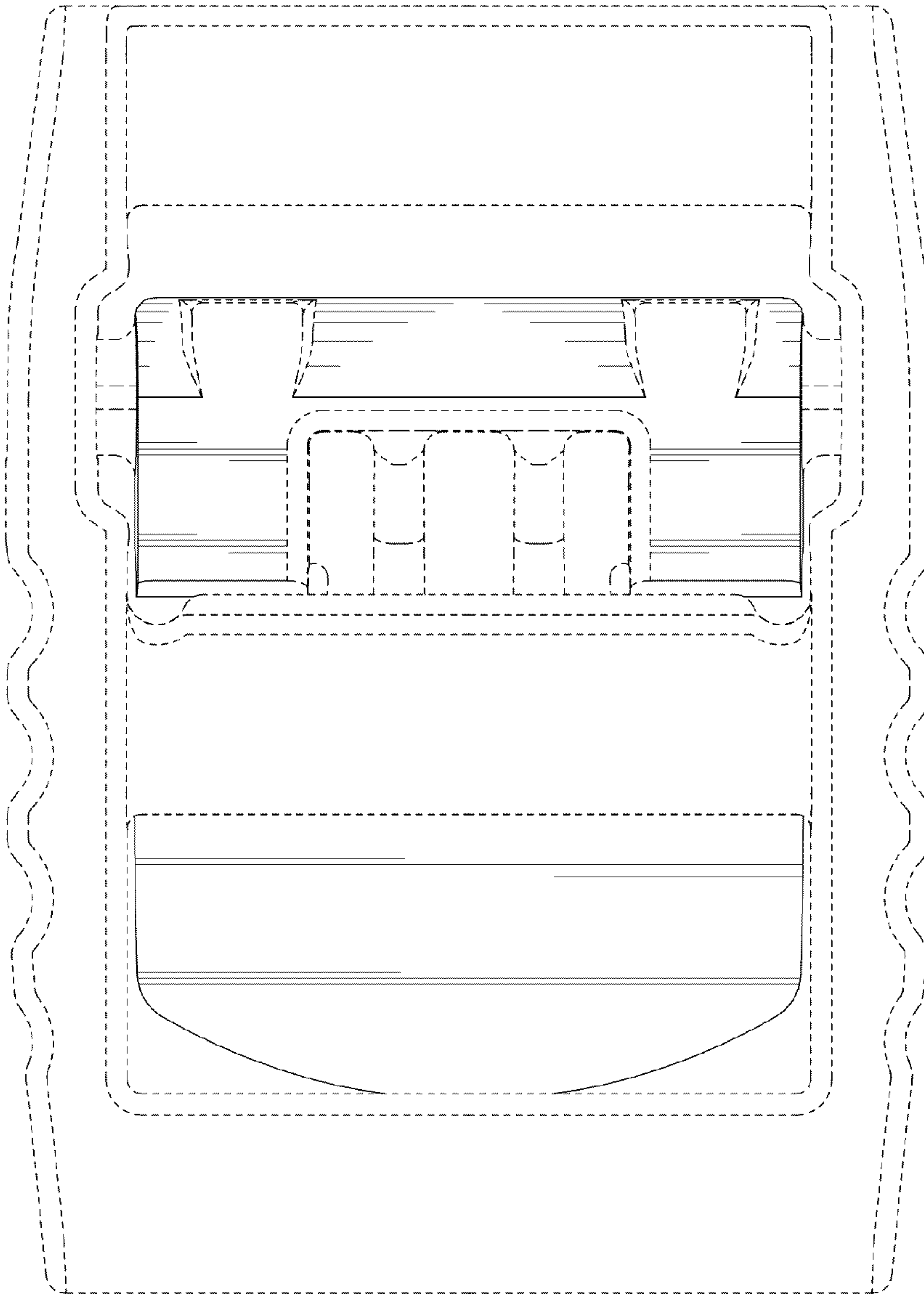
**FIG. 2**



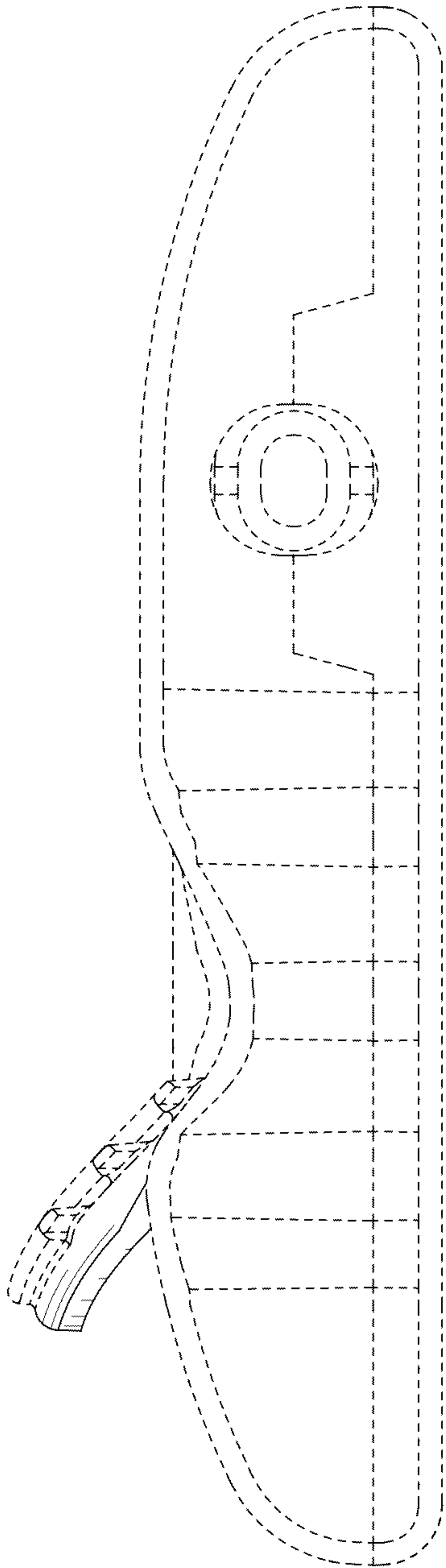
**FIG. 3**



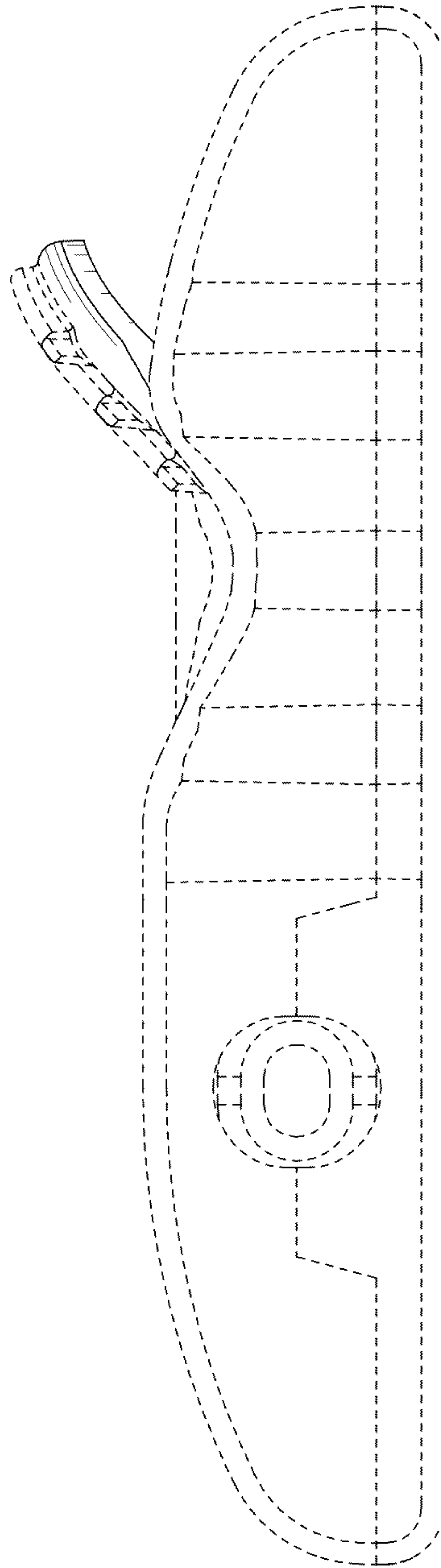
**FIG. 4**



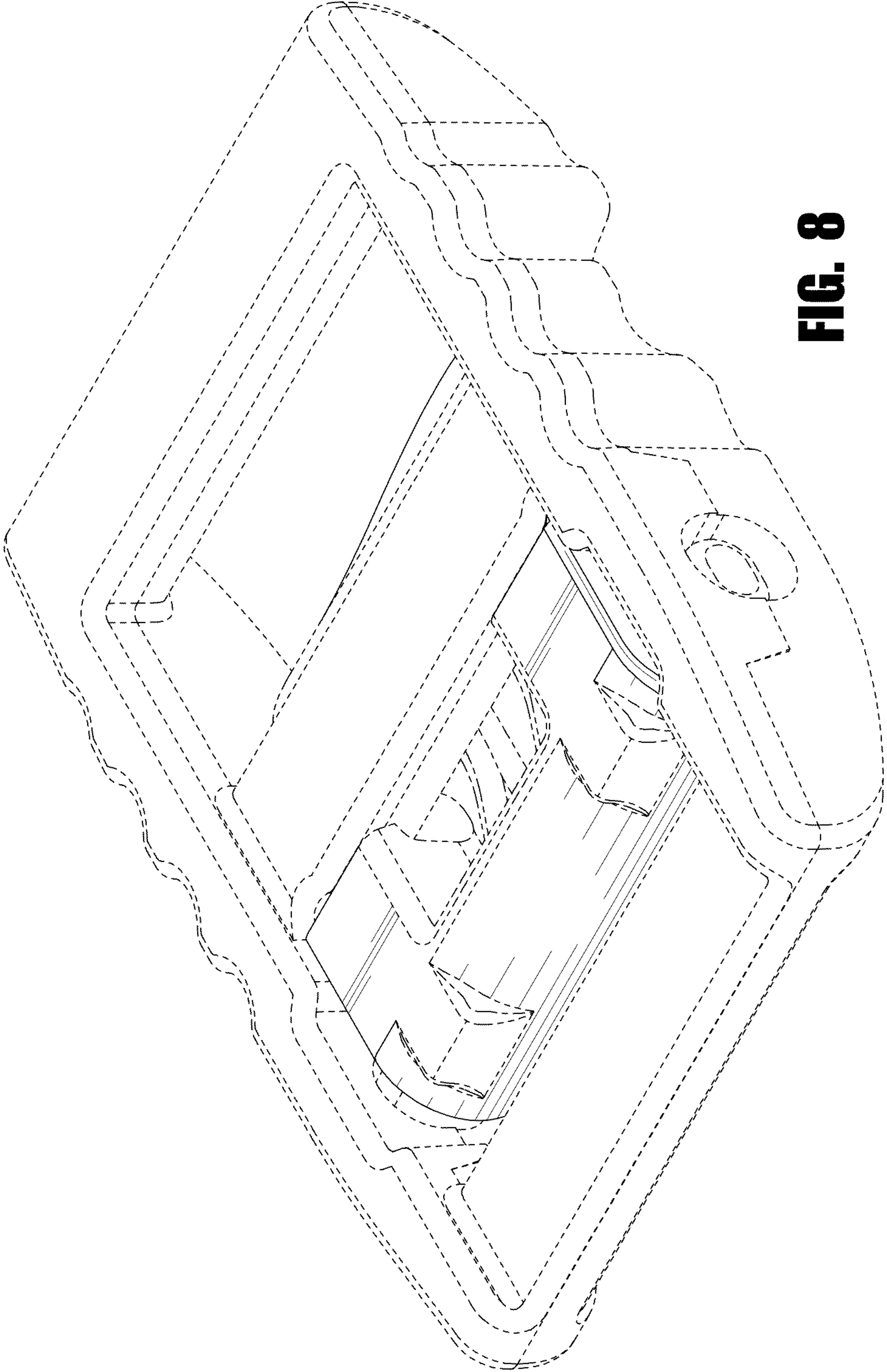
**FIG. 5**



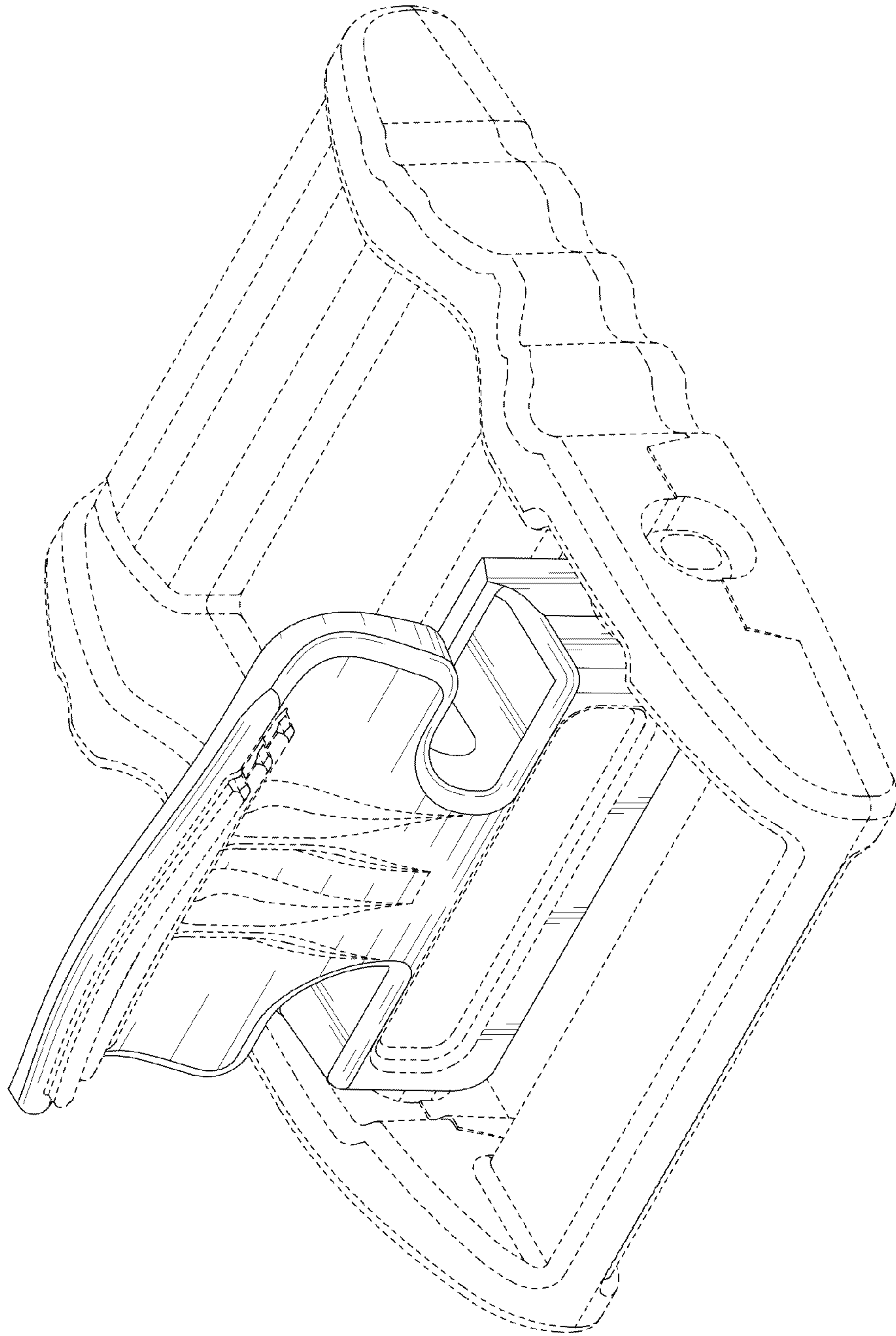
**FIG. 6**



**FIG. 7**

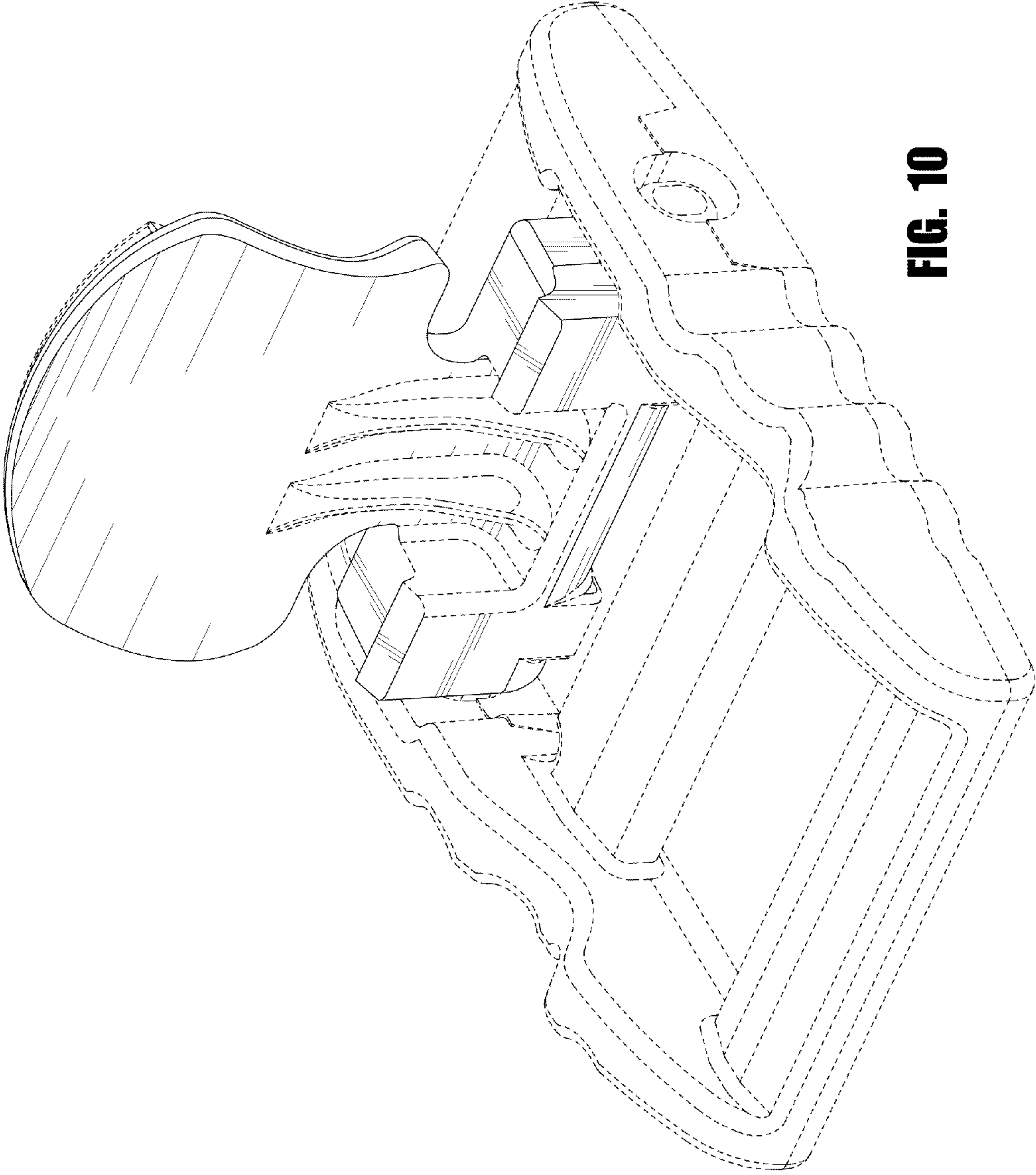


**FIG. 8**



**FIG. 9**





**FIG. 10**