



US00D735074S

(12) **United States Design Patent**  
**Paik et al.**

(10) **Patent No.:** **US D735,074 S**  
(45) **Date of Patent:** **\*\* Jul. 28, 2015**

(54) **BUCKLE EQUIPPED WITH WHISTLE**

(56) **References Cited**

(71) Applicant: **WOJIN PLASTIC CO., LTD.**,  
Gyeonggi-do (KR)

U.S. PATENT DOCUMENTS

(72) Inventors: **Jisook Paik**, Seoul (KR); **Nan Hee Paik**,  
Seoul (KR); **Ji Hye Paik**, Seoul (KR); **Ji**  
**Won Son**, Seoul (KR)

3,806,997	A *	4/1974	Niwa	24/709.9
D291,421	S *	8/1987	Lance	D10/119.3
5,251,569	A *	10/1993	Seron	116/137 R
5,495,820	A *	3/1996	Seron	116/137 R
D384,459	S *	9/1997	Eisenman	D32/61
5,706,560	A *	1/1998	Anscher et al.	24/543
D508,397	S *	8/2005	Volk et al.	D8/395
7,234,995	B2 *	6/2007	Fildan et al.	450/86
D586,257	S *	2/2009	Goldman	D11/200
D672,281	S *	12/2012	Schurian et al.	D11/218

(73) Assignee: **Woojin Plastic Co., Ltd.**, Gyeonggi-do  
(KR)

(\*\*) Term: **14 Years**

\* cited by examiner

(21) Appl. No.: **29/489,716**

*Primary Examiner* — Ralf Seifert

(22) Filed: **May 2, 2014**

(74) *Attorney, Agent, or Firm* — Jordan and Hamburg LLP

(30) **Foreign Application Priority Data**

(57) **CLAIM**

We claim, the ornamental design for a buckle equipped with  
whistle, as shown and described.

Jan. 21, 2014 (KR) ..... 30-2014-0003187

**DESCRIPTION**

(51) **LOC (10) Cl.** ..... **02-01**

FIG. 1 is a perspective view of a buckle equipped with  
whistle, showing my new design;  
FIG. 2 is a front elevational view thereof;  
FIG. 3 is a rear elevational view thereof;  
FIG. 4 is a left side elevational view thereof;  
FIG. 5 is a right side elevational view thereof;  
FIG. 6 is a top plan view thereof;  
FIG. 7 is a bottom plan view thereof; and,  
FIG. 8 is a cross-sectional view taken along the line 8-8 in  
FIG. 2.

(52) **U.S. Cl.**  
USPC ..... **D11/200**

(58) **Field of Classification Search**  
USPC ..... D11/1-2, 86, 87, 200-201, 206-210,  
D11/212-216, 218; 24/163 R, 169-171, 173,  
24/177-179, 191, 194-195, 197, 200, 303,  
24/184, 346, 556, 562, 564; D10/119.3;  
D8/395; 116/137 R  
CPC ..... A44B 11/00; A44B 21/00  
See application file for complete search history.

**1 Claim, 3 Drawing Sheets**

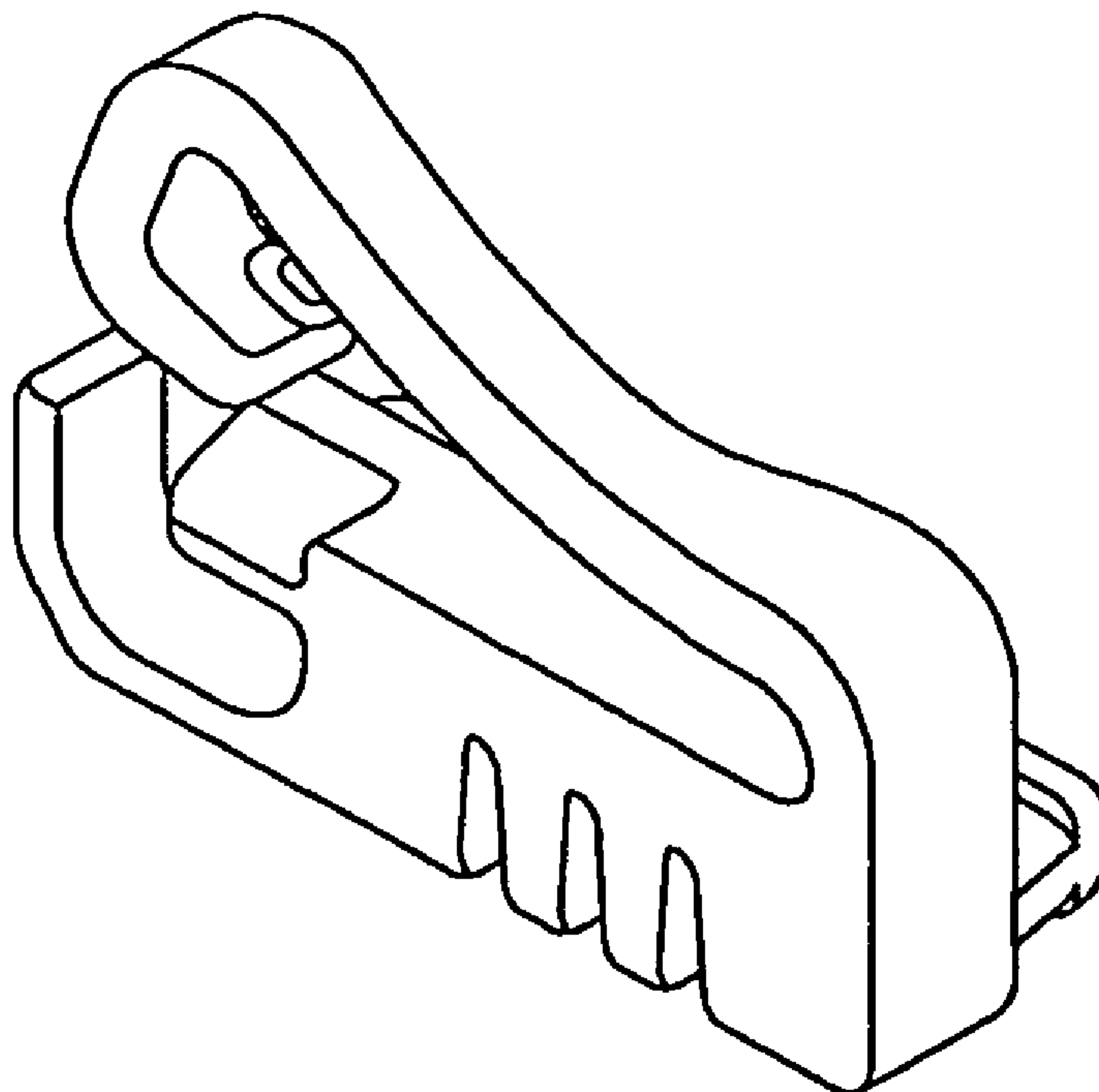


FIG. 1

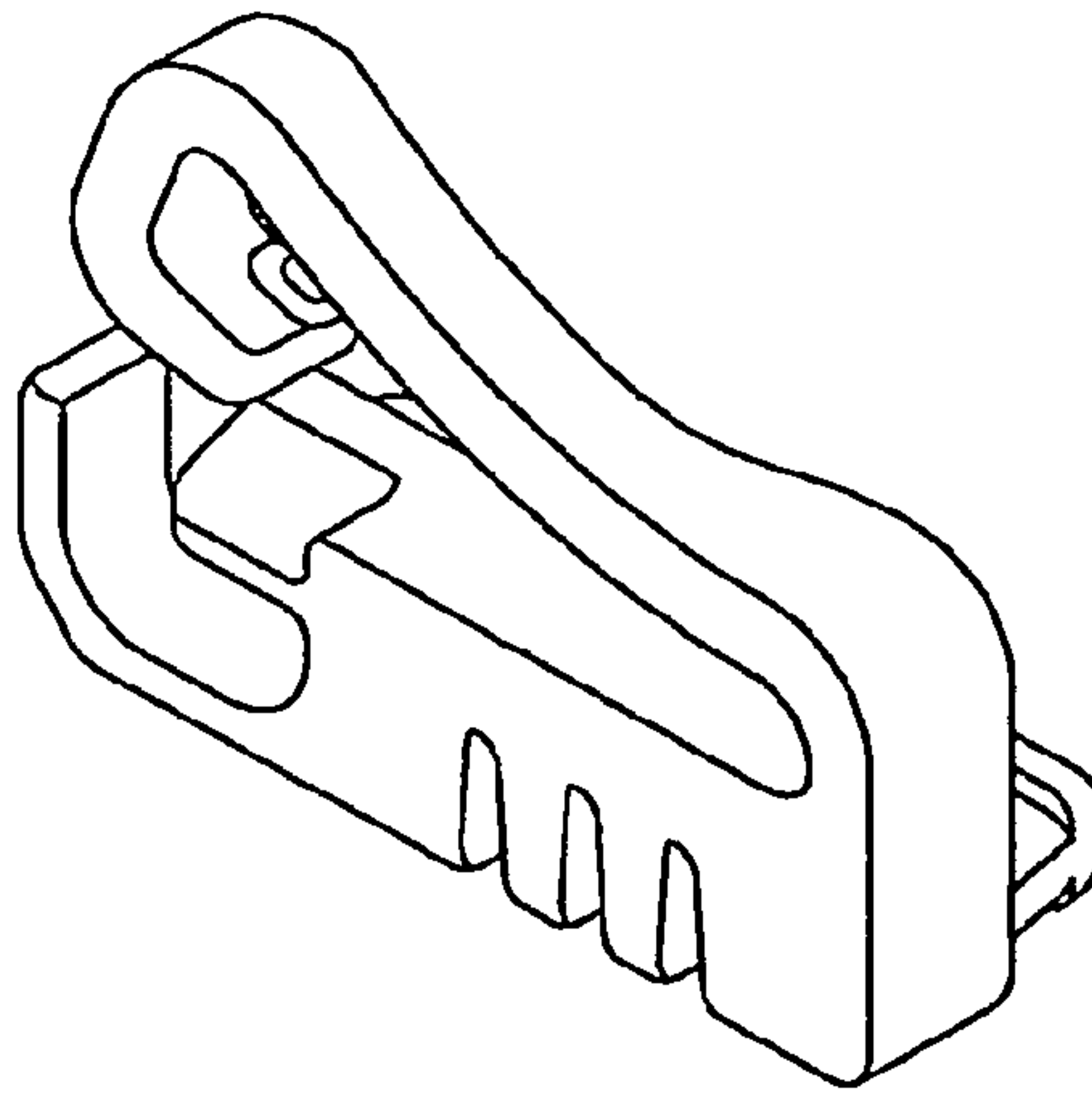


FIG. 2

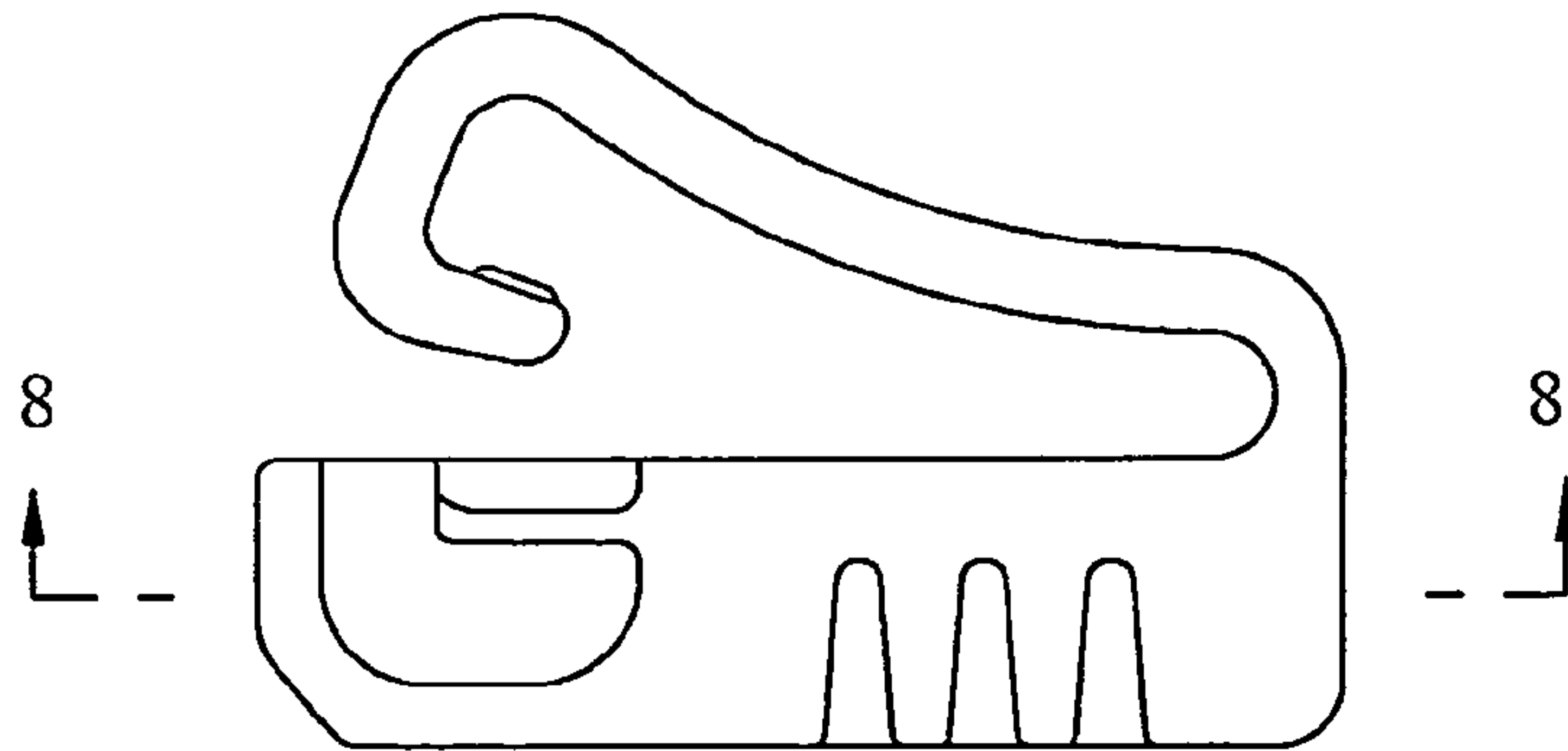


FIG. 3

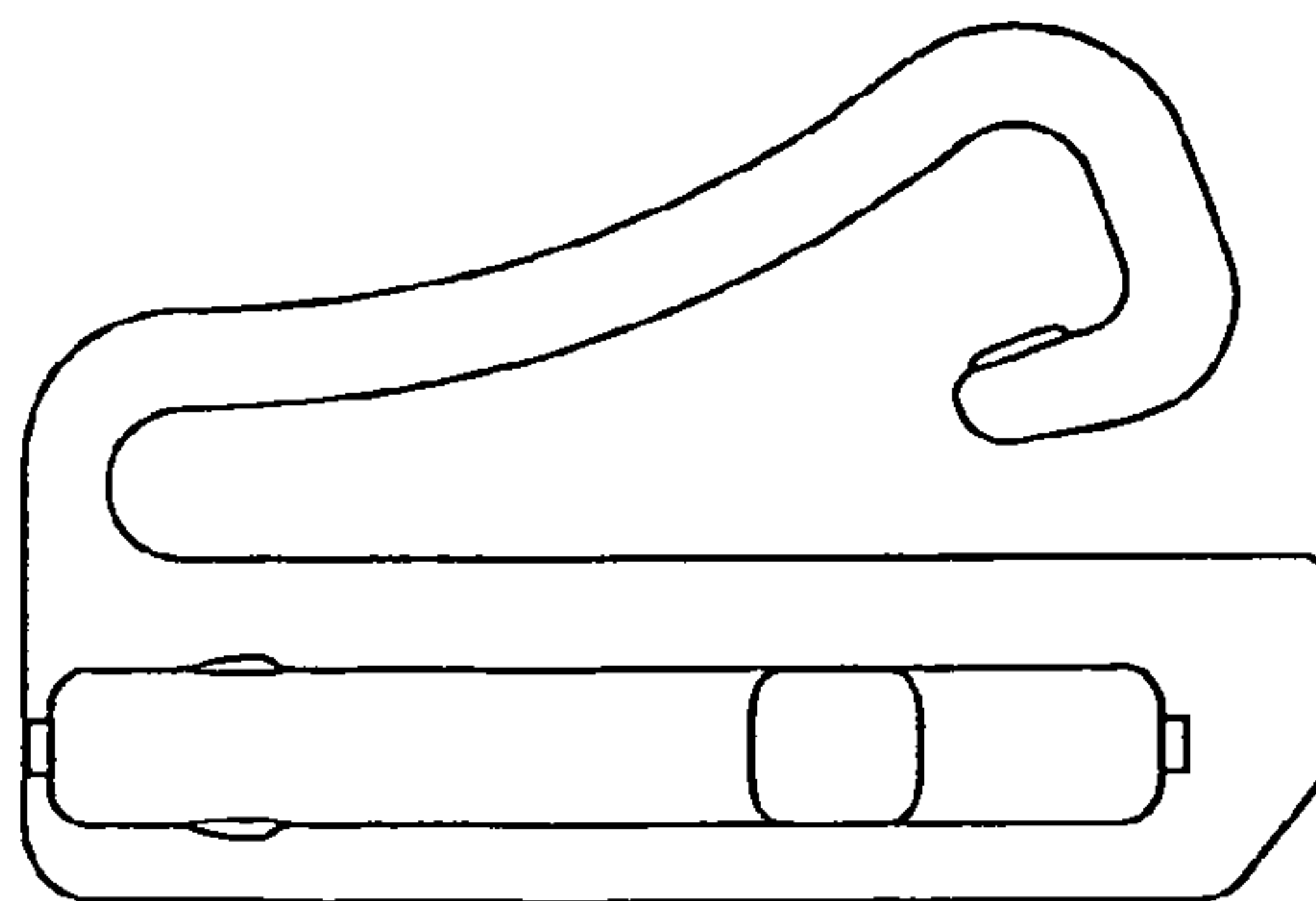


FIG.4

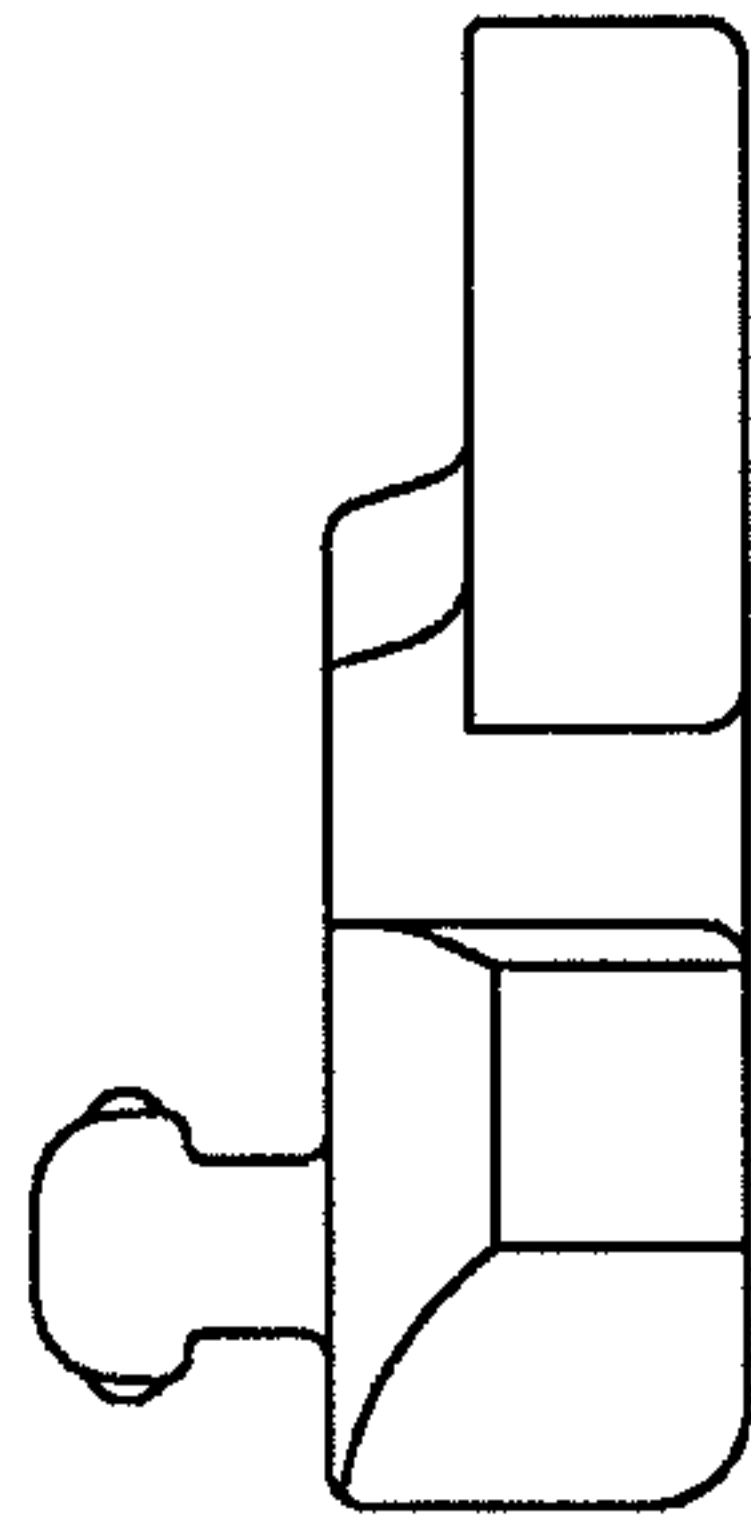


FIG.5

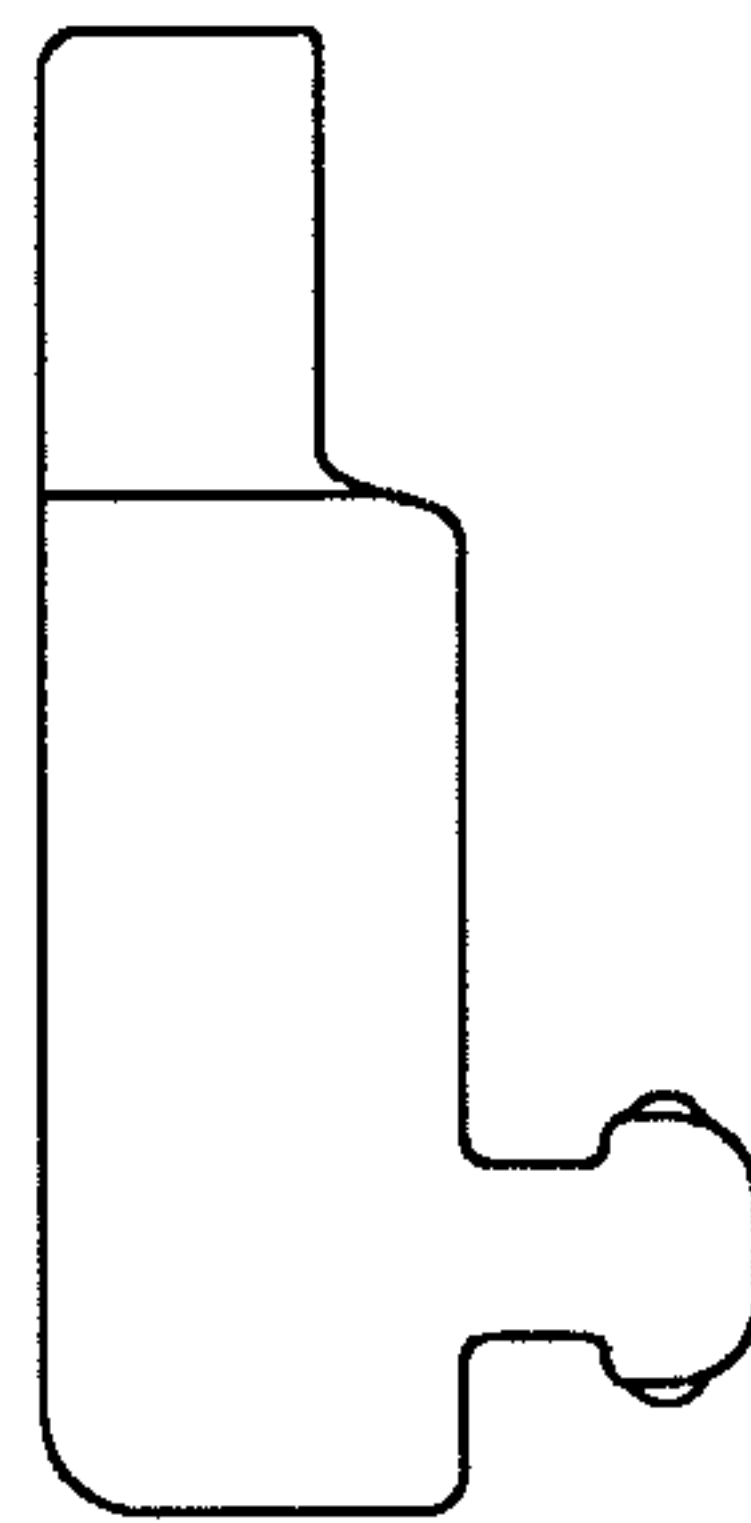


FIG.6

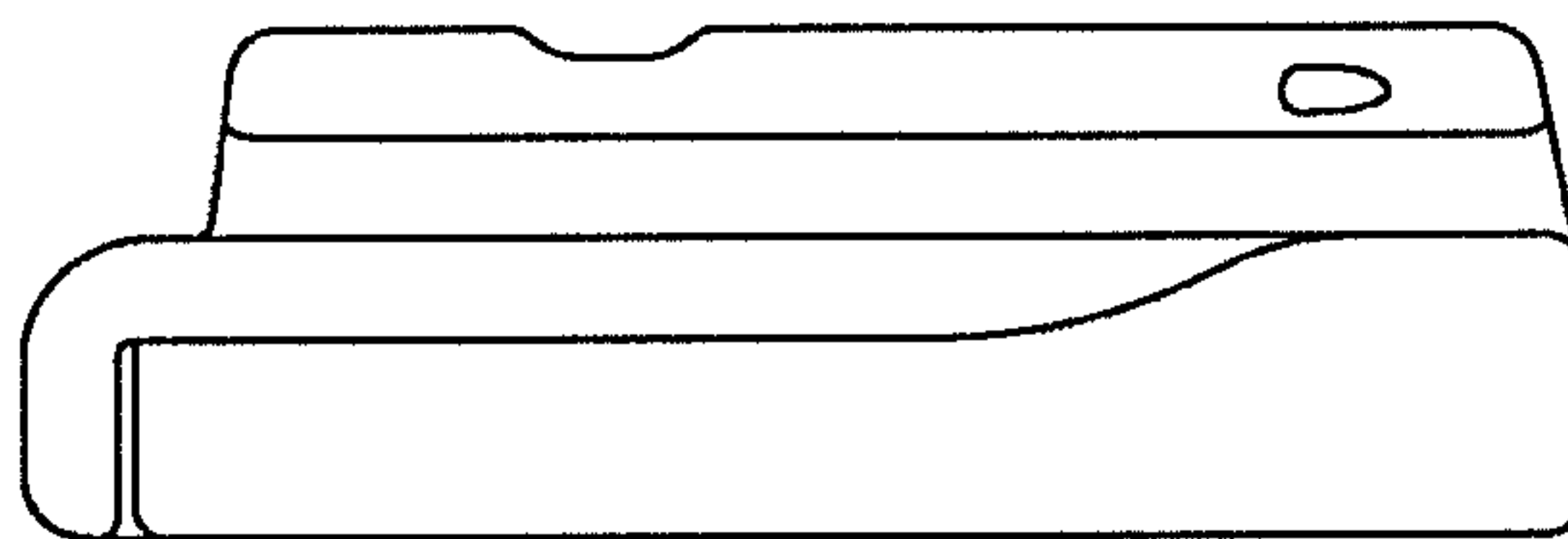


FIG.7

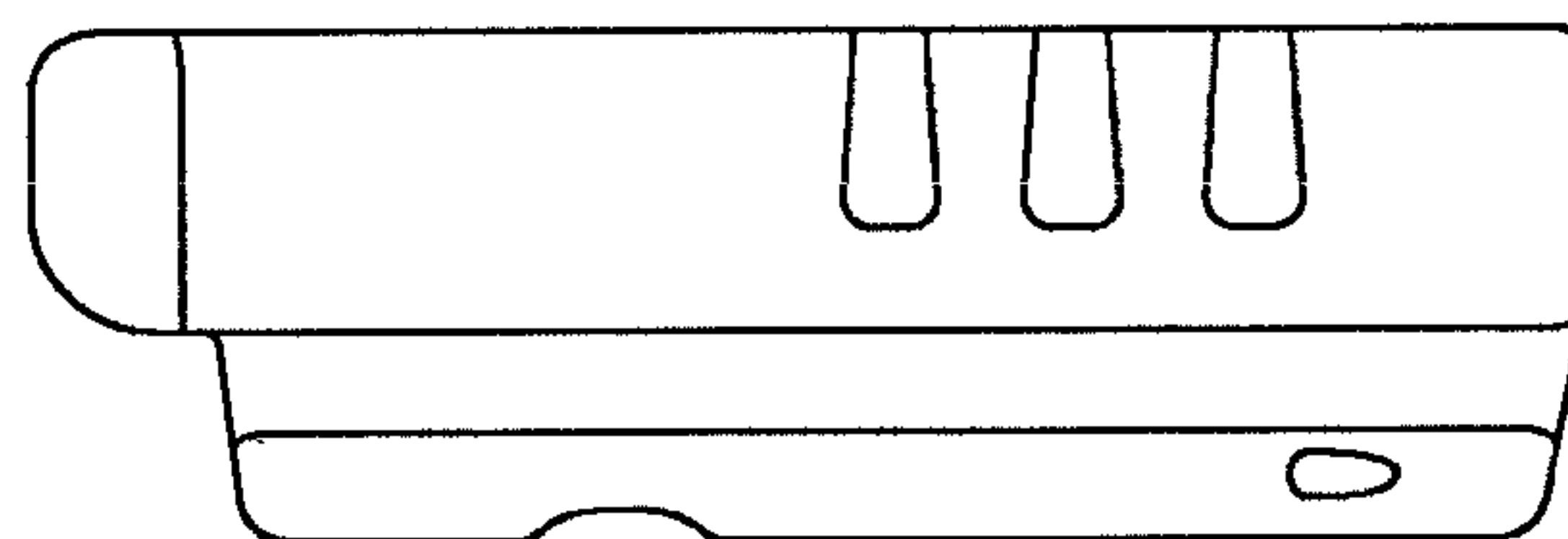


FIG.8

