



US00D735073S

(12) **United States Design Patent**
Skinner et al.

(10) **Patent No.:** **US D735,073 S**
(45) **Date of Patent:** **** Jul. 28, 2015**

(54) **DOOR BANNER**

2001/0042603 A1* 11/2001 Shimizu 160/121.1
2005/0055861 A1* 3/2005 McAnulty 40/654.01

(71) Applicant: **Team ProMark, LLC**, Longmont, CO (US)

(Continued)
Primary Examiner — Karen S Acker

(72) Inventors: **William Skinner**, Longmont, CO (US);
Robert Taylor, Boulder, CO (US);
Debora Hastings, Johnstown, CO (US);
Darin R. Telfer, Mead, CO (US);
Margo Taylor, Centennial, CO (US);
Jamie Lockwood, Longmont, CO (US);
Robert Byrd, Erie, CO (US); **John Durnell**, Crestwood, KY (US)

Assistant Examiner — Clare Ann Gannon

(74) *Attorney, Agent, or Firm* — Martensen IP

(73) Assignee: **Mydor, LLC**, Longmont, CO (US)

(57) **CLAIM**

The ornamental design for a door banner, as shown and described.

(**) Term: **14 Years**

DESCRIPTION

(21) Appl. No.: **29/468,518**

The present application relates to commonly assigned U.S. patent application Ser. No. 29/467,818 filed Sep. 24, 2013, entitled Universal Door Banner.

(22) Filed: **Oct. 1, 2013**

FIG. 1 is a front right perspective view of the door banner.

FIG. 2 is a top rear right perspective view of the door banner.

FIG. 3 is an enlarged top view of the door banner.

FIG. 4 is an enlarged view of one side of the door banner.

FIG. 5 is a front view of the door banner.

FIG. 6 is an enlarged view of the opposite side of the door banner.

(51) **LOC (10) Cl.** **11-05**

FIG. 7 is an enlarged bottom view of the door banner.

(52) **U.S. Cl.**

FIG. 8 is a rear view of the door banner.

USPC **D11/165**

FIG. 9 is a detailed top, right rear perspective detail view of the area 9 circumscribed within FIG. 2. The detail depicts the joining of the top and bottom edges of the design; and,

FIG. 10 is a front right perspective view of the door banner in a non-joined configuration.

(58) **Field of Classification Search**

USPC D5/9, 21, 30, 41, 99; D11/165–173,
D11/175–183; D20/11, 19, 29, 36, 41, 42;
D21/573; D22/103; 40/218, 604;
42/71.01; 116/26, 173

The broken line outlines of text and the areas within these broken lines on the front surface of the design depict features of the Universal door banner that form no part of the claimed design. All other broken lines represent environmental structure that forms no part of the claimed design. The dot-dash-dot broken line circumscribing the area of the detail in FIGS. 2 and 9 forms no part of the claimed design.

CPC ... G09F 17/00; G09F 7/18; G09F 2017/0075;
F41B 7/08

See application file for complete search history.

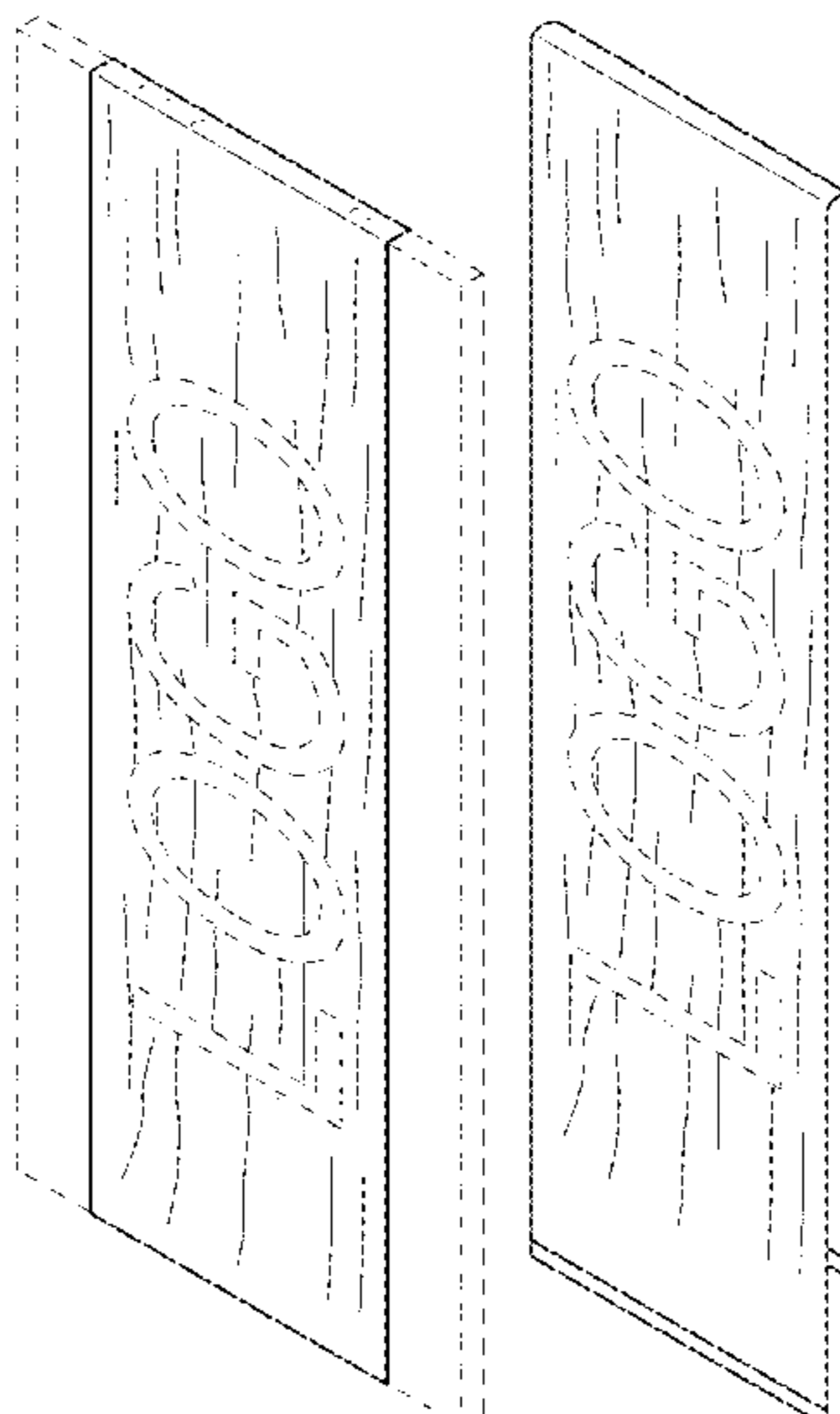
The present application is for the ornamental design of a flexible door banner that wraps around a typical door as shown in the attached figures. While not part of the design, the banner generally includes a logo or image positioned on the face of the door.

(56) **References Cited**

U.S. PATENT DOCUMENTS

D353,934 S * 1/1995 Yallanardo D2/742
5,398,436 A * 3/1995 Suzuki 40/558
D569,079 S * 5/2008 Whong D2/502
D624,847 S * 10/2010 Czyzewski D11/165
D708,846 S * 7/2014 Waldon D3/218

1 Claim, 8 Drawing Sheets



US D735,073 S

Page 2

(56)

References Cited

U.S. PATENT DOCUMENTS

2007/0094906 A1*	5/2007	Milligan et al.	40/604
2009/0095210 A1*	4/2009	Walls	116/173
2012/0285367 A1*	11/2012	Shanahan	116/28 R
2007/0056200 A1*	3/2007	Ridless	40/603

* cited by examiner

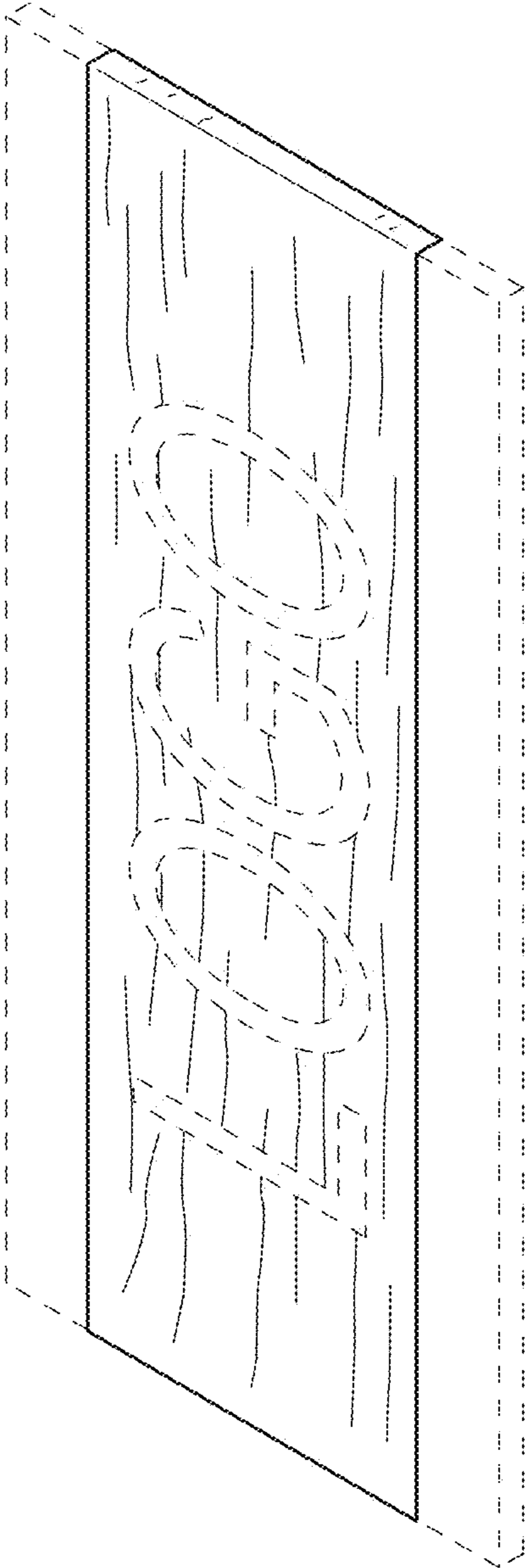


FIG.1

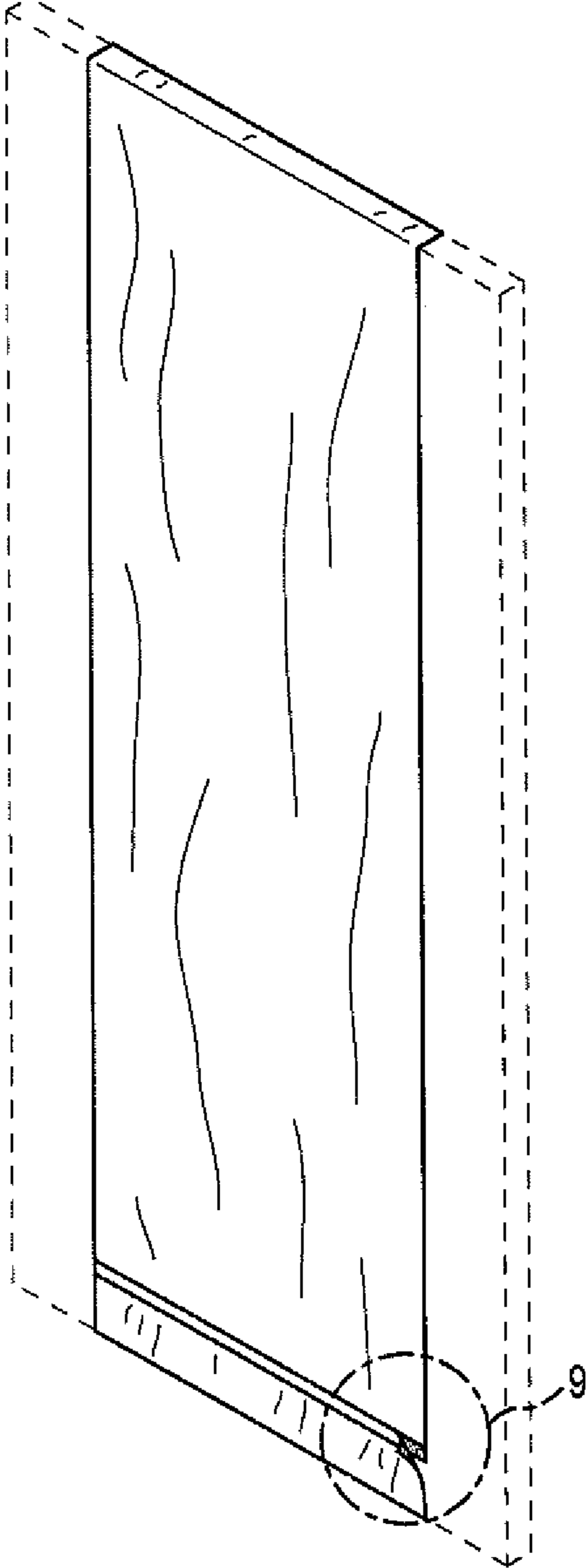


FIG.2



FIG.3

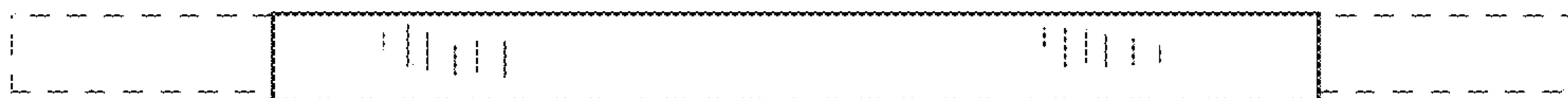


FIG.7



FIG. 4



FIG. 6

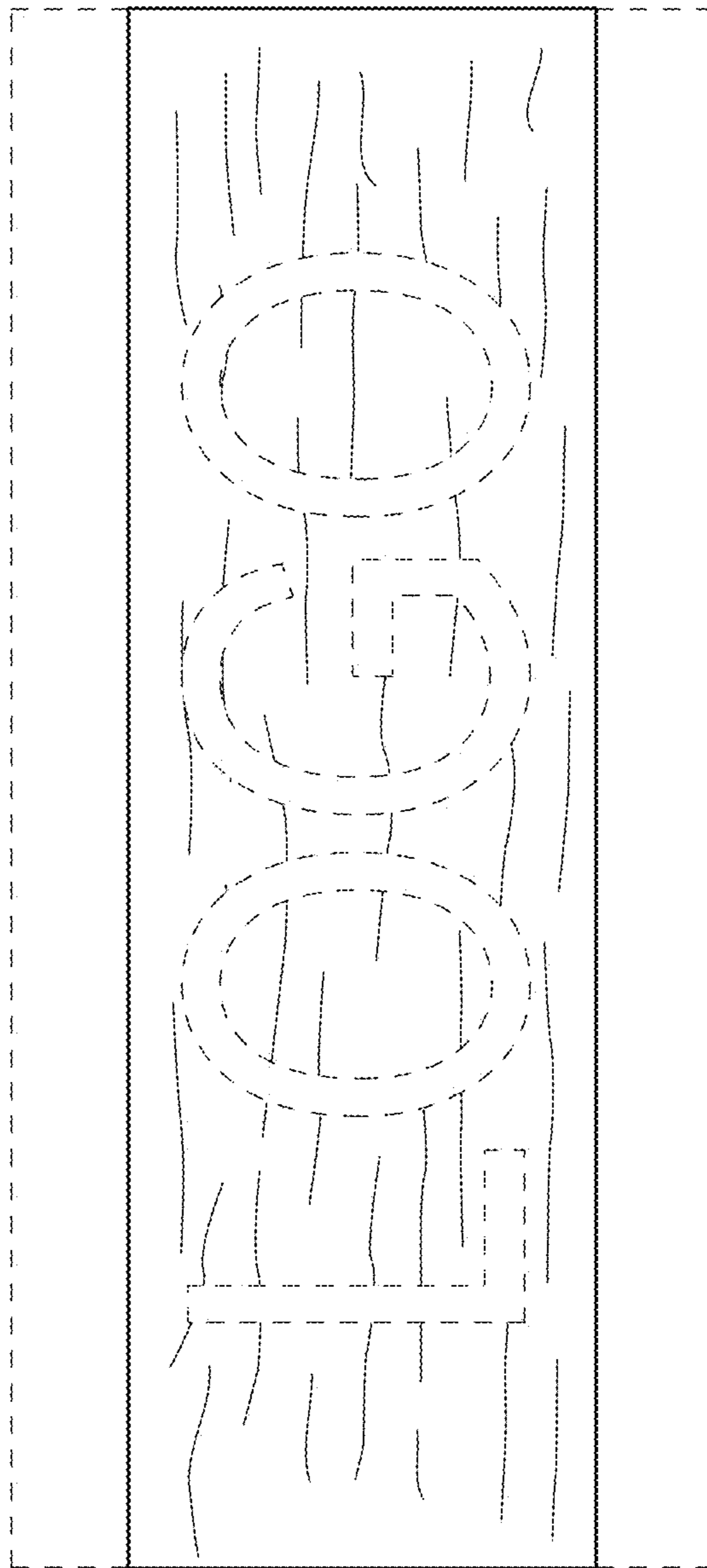


FIG. 5

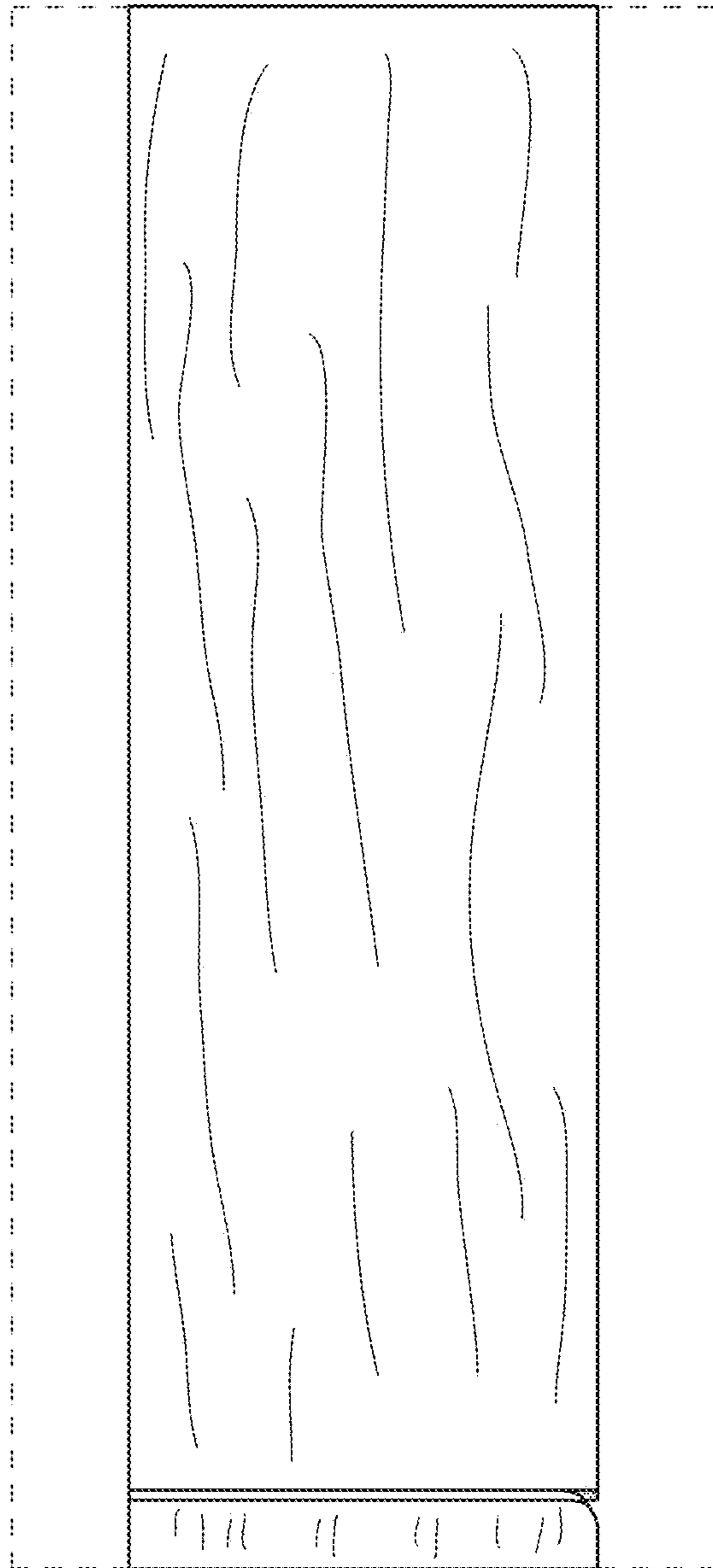


FIG. 8

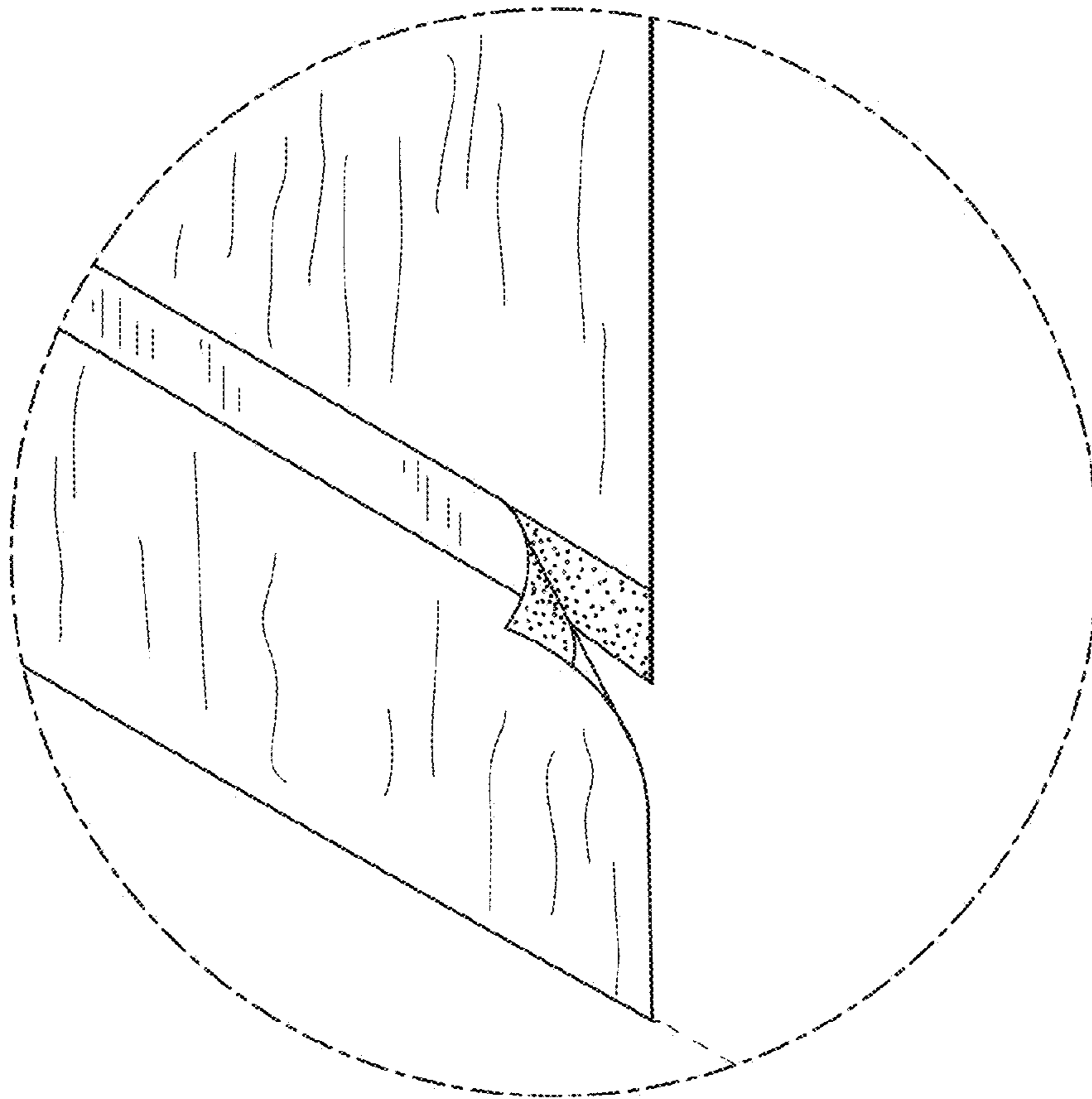


FIG.9

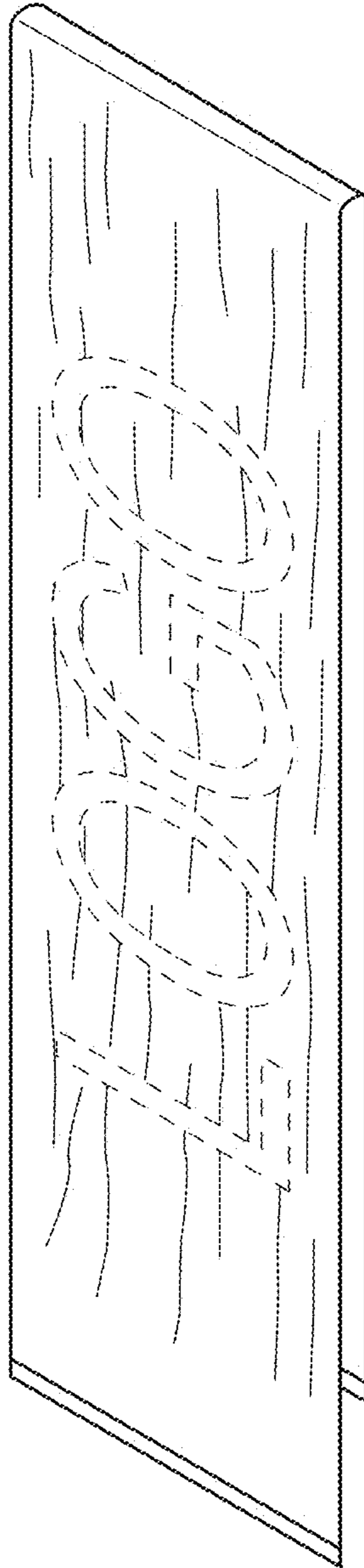


FIG. 10