



US00D735068S

(12) **United States Design Patent**  
**Garcia Pla**

(10) **Patent No.:** **US D735,068 S**  
(45) **Date of Patent:** **\*\* Jul. 28, 2015**

(54) **BRACELET**

(71) Applicant: **Arturo Garcia Pla**, Andorra (ES)

(72) Inventor: **Arturo Garcia Pla**, Andorra (ES)

(\*\*) Term: **14 Years**

(21) Appl. No.: **29/485,146**

(22) Filed: **Mar. 17, 2014**

(30) **Foreign Application Priority Data**

Sep. 18, 2013 (EM) ..... 002311415

(51) **LOC (10) Cl.** ..... **11-01**

(52) **U.S. Cl.**  
USPC ..... **D11/3**

(58) **Field of Classification Search**  
USPC ..... D11/1-27, 86, 87, 200, 201, 231;  
63/1.11, 1.14, 3, 3.1, 3.2, 5.1, 41;  
D10/30-32; 224/219; D3/201, 203.1,  
D3/203.2, 215, 226; 362/103, 104;  
368/281-283; D2/946, 976; D14/344  
CPC ..... A44C 5/003; A44C 5/00; A44C 25/002;  
A44C 9/0069; A44C 11/00  
See application file for complete search history.

(56) **References Cited**

**U.S. PATENT DOCUMENTS**

D149,779 S \* 5/1948 Schorr ..... D11/24  
D163,317 S \* 5/1951 Pagliuca ..... D11/87  
D190,384 S \* 5/1961 Meyerson ..... D11/24  
5,274,613 A \* 12/1993 Seager ..... 368/282  
6,470,708 B1 \* 10/2002 Green ..... 63/3.2

D482,671 S \* 11/2003 DiDonato ..... D10/31  
6,701,583 B1 \* 3/2004 McCullough ..... 63/3.2  
D524,678 S \* 7/2006 Fishman et al. .... D11/2  
D548,432 S \* 8/2007 Martin ..... D2/976  
D550,430 S \* 9/2007 Martin, Jr. .... D2/976  
7,341,362 B2 \* 3/2008 Bjornson et al. .... 362/294  
7,591,581 B2 \* 9/2009 Lovegrove et al. .... 368/281  
D611,357 S \* 3/2010 Giroud ..... D10/32  
D627,146 S \* 11/2010 Kantor et al. .... D2/976  
D637,918 S \* 5/2011 Cobbett et al. .... D10/31  
D672,402 S \* 12/2012 Macadam ..... D21/491  
8,419,268 B2 \* 4/2013 Yu ..... 368/281  
8,434,327 B2 \* 5/2013 Babyak ..... 63/24  
2001/0010662 A1 \* 8/2001 Saitou et al. .... 368/281  
2002/0031052 A1 \* 3/2002 Nussbaum ..... 368/281

\* cited by examiner

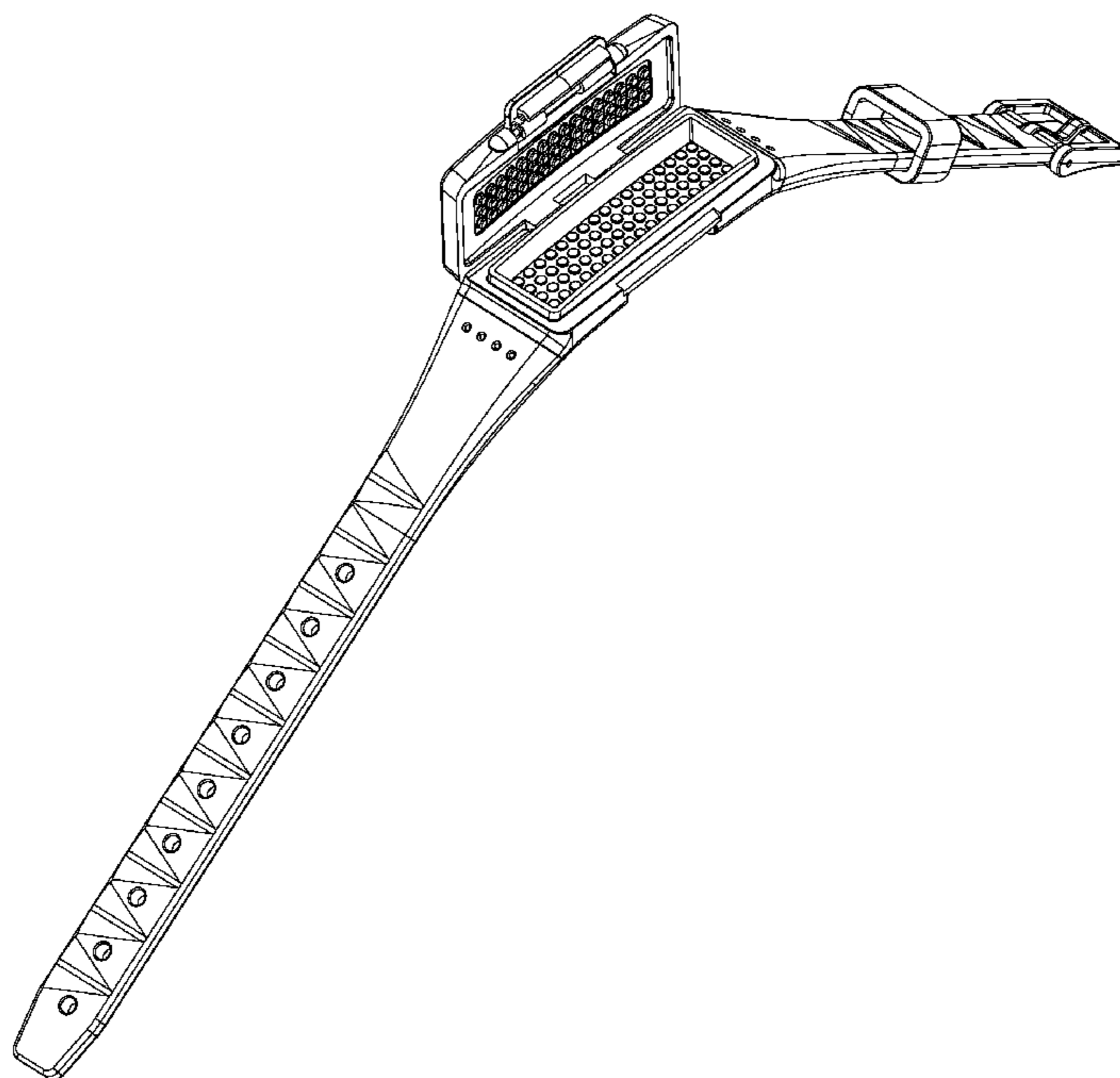
*Primary Examiner* — Cynthia Ramirez  
*Assistant Examiner* — Llorellys Martinez-Rivera  
(74) *Attorney, Agent, or Firm* — Ostrolenk Faber LLP

(57) **CLAIM**  
The ornamental design for a bracelet, as shown and described.

**DESCRIPTION**

FIG. 1 is a perspective view of a bracelet showing my new design.  
FIG. 2 is a side view thereof;  
FIG. 3 is a top view thereof;  
FIG. 4 is a front view thereof;  
FIG. 5 is an opposite side view thereof;  
FIG. 6 is a bottom view thereof; and,  
FIG. 7 is a rear view thereof.  
The broken lines show environmental subject matter and form no part of the claimed design.

**1 Claim, 7 Drawing Sheets**



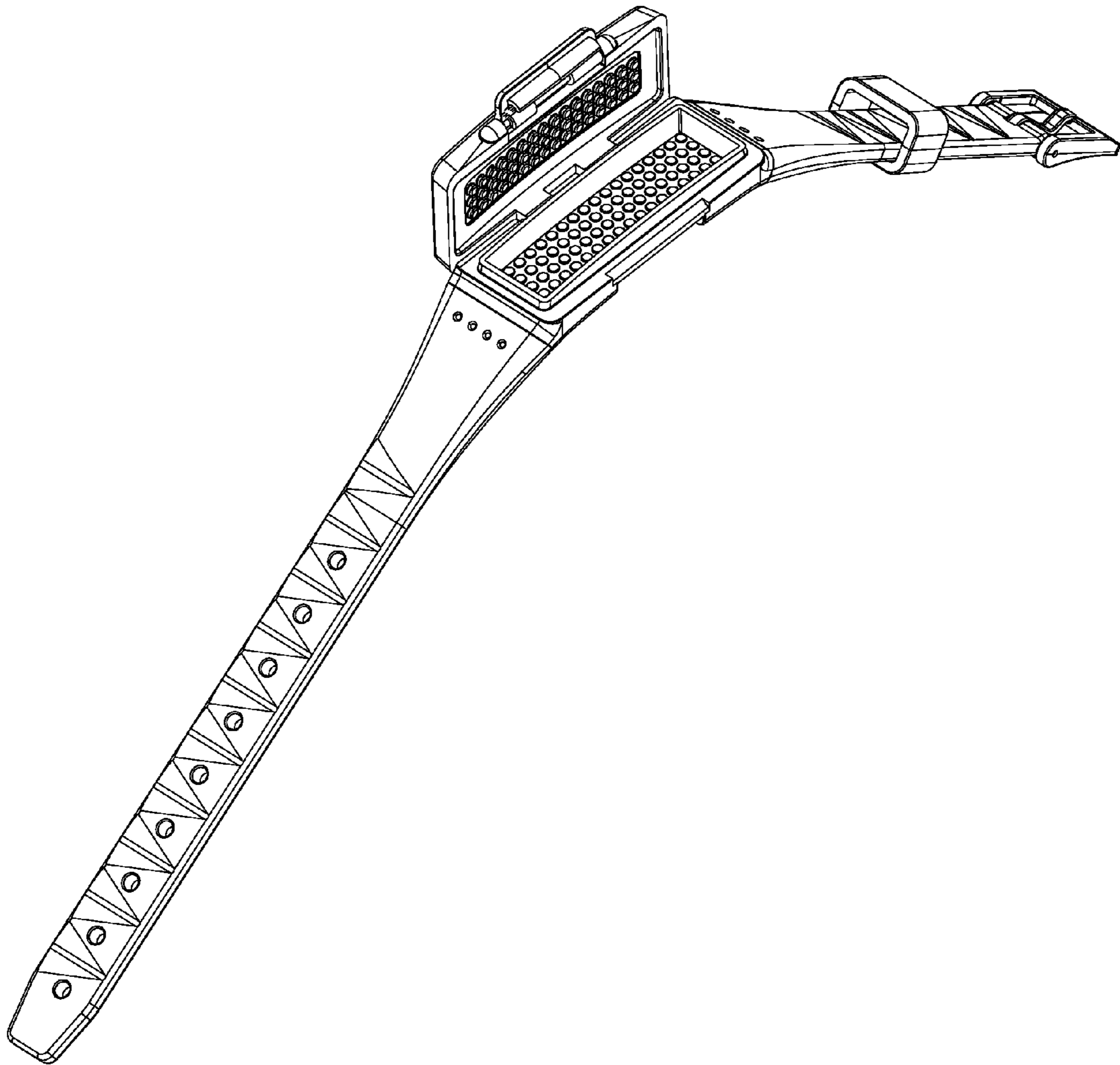


FIG. 1

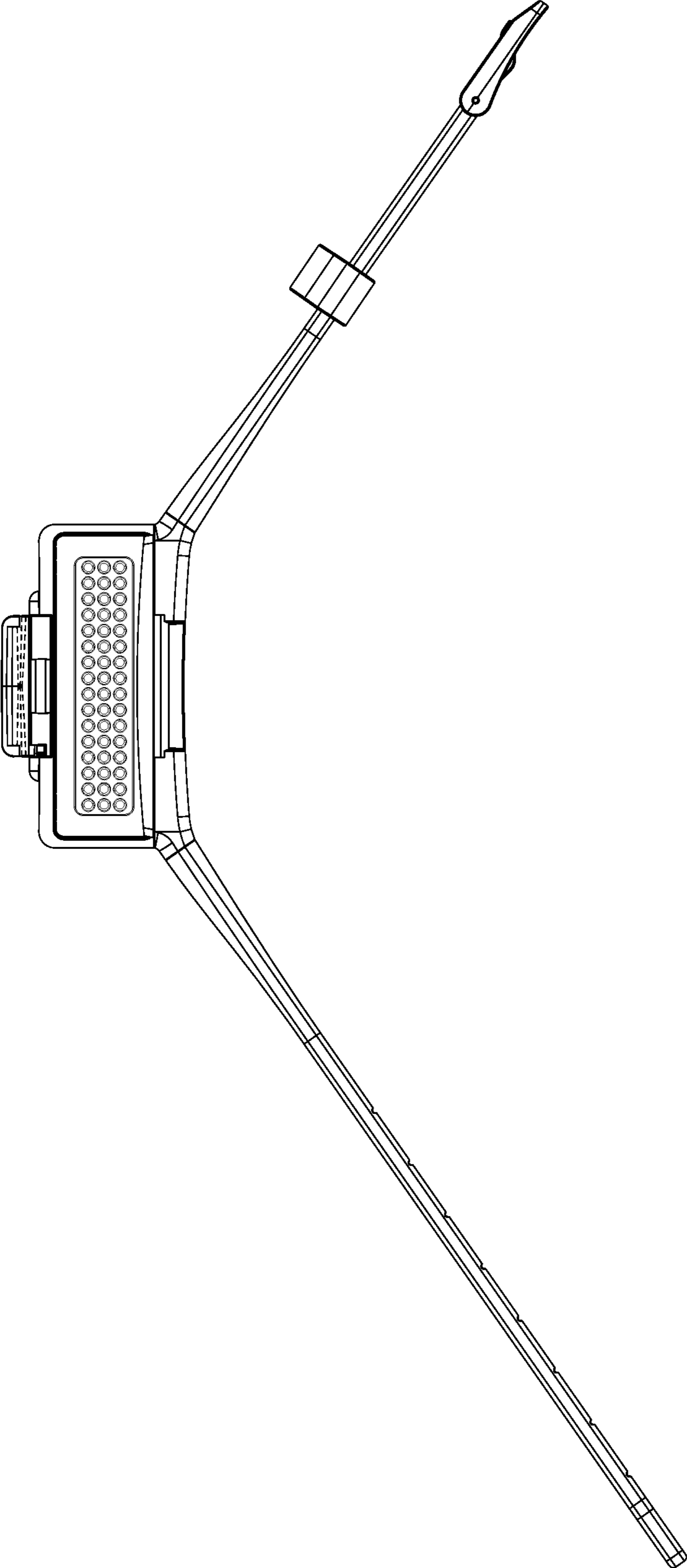


FIG. 2

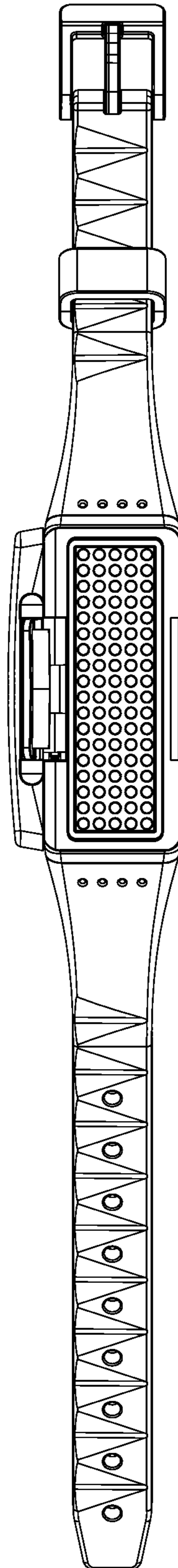


FIG. 3

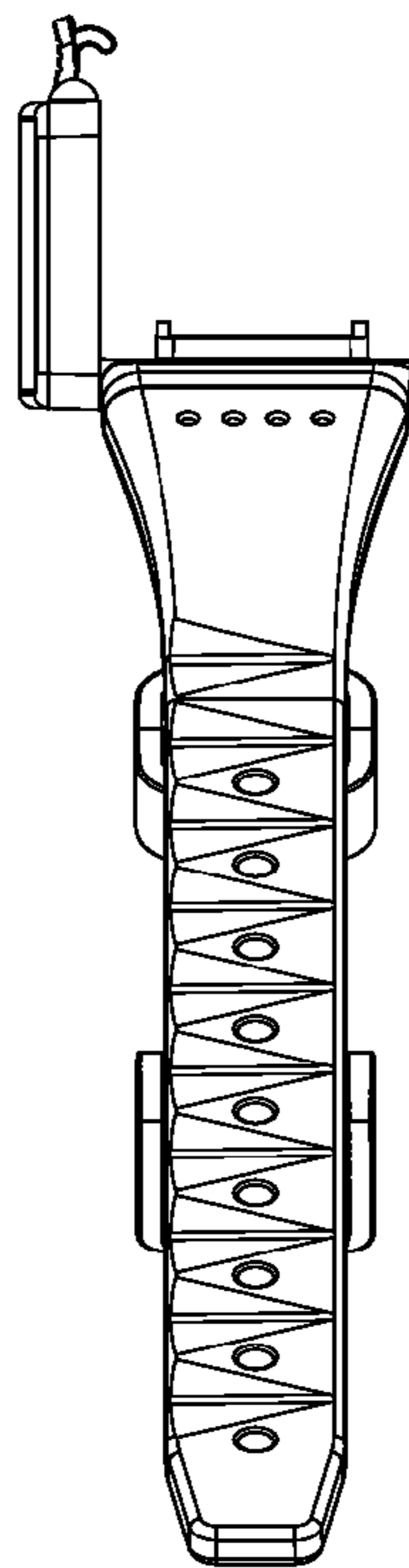


FIG. 4

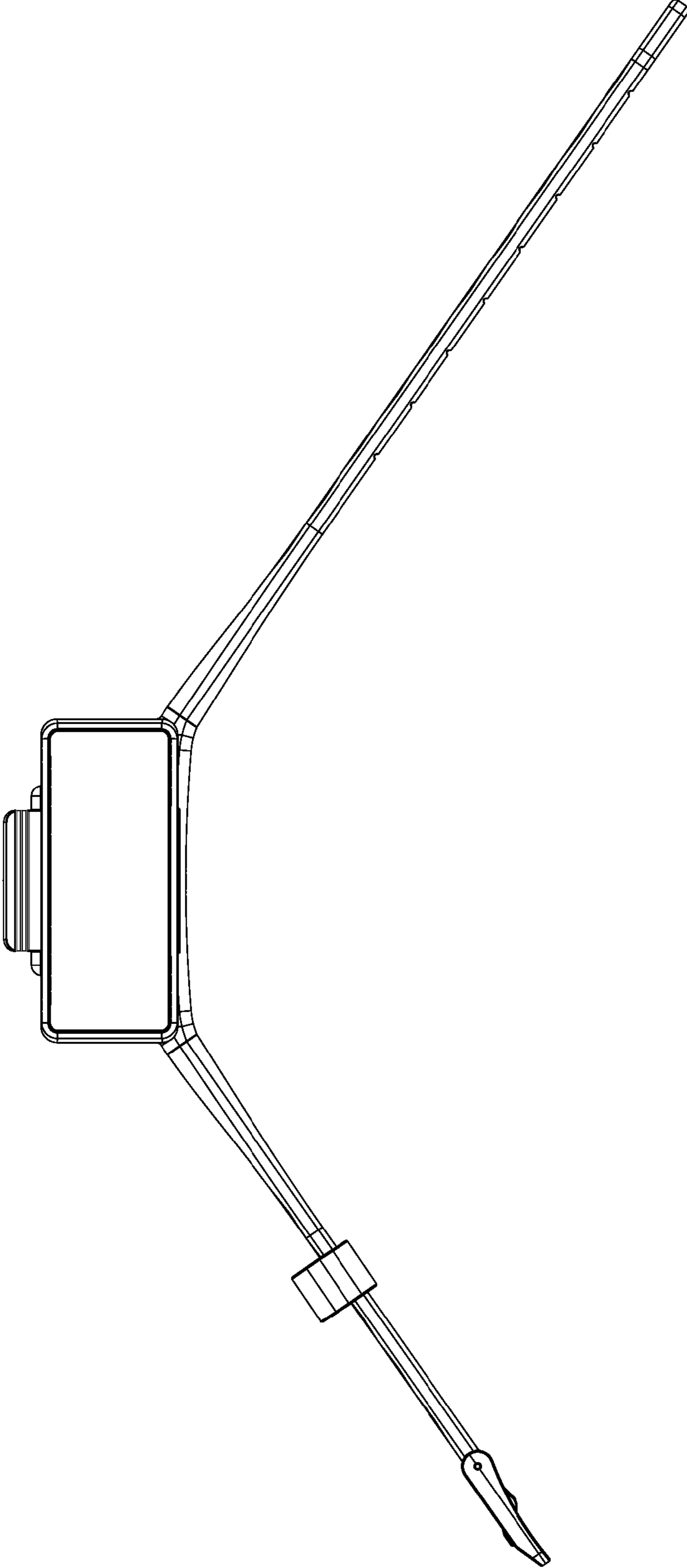


FIG. 5

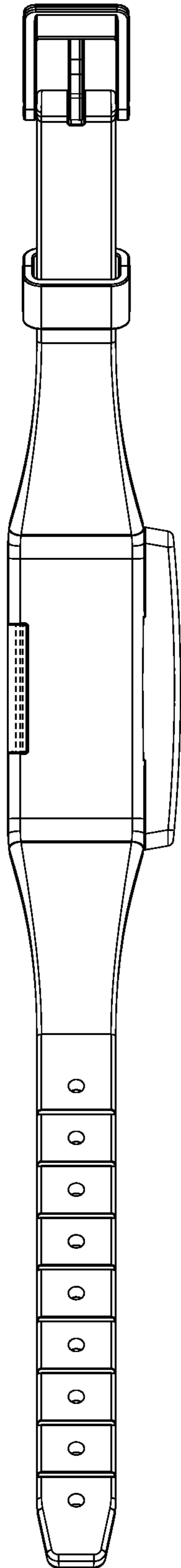


FIG. 6

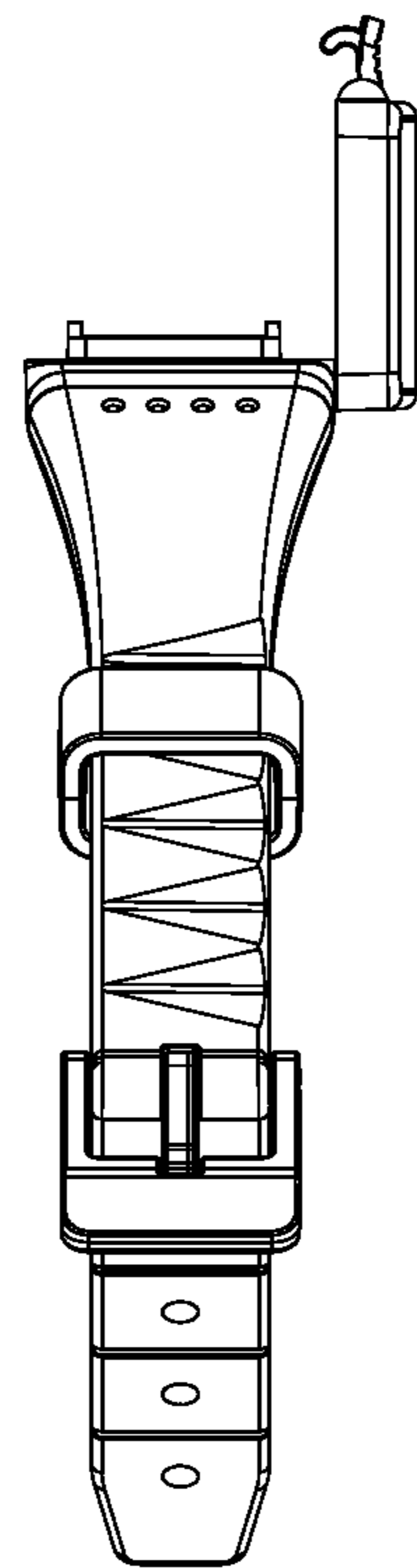


FIG. 7