



US00D735066S

(12) **United States Design Patent**  
**Otsuki**

(10) **Patent No.:** **US D735,066 S**  
(45) **Date of Patent:** **\*\* Jul. 28, 2015**

(54) **MOTION SENSOR**

(56) **References Cited**

(71) Applicant: **Panasonic Intellectual Property Management Co., Ltd.**, Osaka (JP)

U.S. PATENT DOCUMENTS

(72) Inventor: **Akira Otsuki**, Osaka (JP)

D567,121 S \* 4/2008 Zhang et al. .... D10/69  
D657,275 S \* 4/2012 Cowles et al. .... D10/70  
D708,969 S \* 7/2014 Ishii ..... D10/65

(73) Assignee: **Panasonic Intellectual Property Management Co., Ltd.**, Osaka (JP)

\* cited by examiner

(\*\*) Term: **14 Years**

*Primary Examiner* — Antoine D Davis

(21) Appl. No.: **29/517,789**

(74) *Attorney, Agent, or Firm* — Panasonic Patent Center

(22) Filed: **Feb. 17, 2015**

(57) **CLAIM**

I claim the ornamental design for a motion sensor, as shown and described.

(30) **Foreign Application Priority Data**

**DESCRIPTION**

Aug. 19, 2014 (JP) ..... 2014-017912

FIG. 1 is a front perspective view of a motion sensor of the present invention;

(51) **LOC (10) Cl.** ..... **10-04**

FIG. 2 is a front view thereof;

(52) **U.S. Cl.**

FIG. 3 is a rear view thereof;

USPC ..... **D10/70; D10/103**

FIG. 4 is a left side view thereof;

(58) **Field of Classification Search**

USPC ..... D10/65, 70, 75, 78, 103, 106.1–106.6

FIG. 5 is a right side view thereof;

CPC ..... G08G 1/096883; G08G 1/096872;

FIG. 6 is a top view thereof;

G08G 1/096775; G01C 21/16; G01C 21/3688;

FIG. 7 is a bottom view thereof;

G01C 21/30; G01V 8/20; G01J 5/02; G01J

FIG. 8 is a cross-sectional view taken along the line 8-8 in FIG. 2 with the internal parts being omitted; and,

5/023; G01J 5/24; G01J 5/10; G01J 5/20;

FIG. 9 is a referential front perspective view thereof showing detection sensors with hoods.

G01J 5/0235; G01J 5/08; G01J 5/0853;

The broken line showing of motion sensor is included for the purpose of illustrating environment and forms no part of the claimed design.

G01J 5/33; G01J 5/34

See application file for complete search history.

**1 Claim, 9 Drawing Sheets**

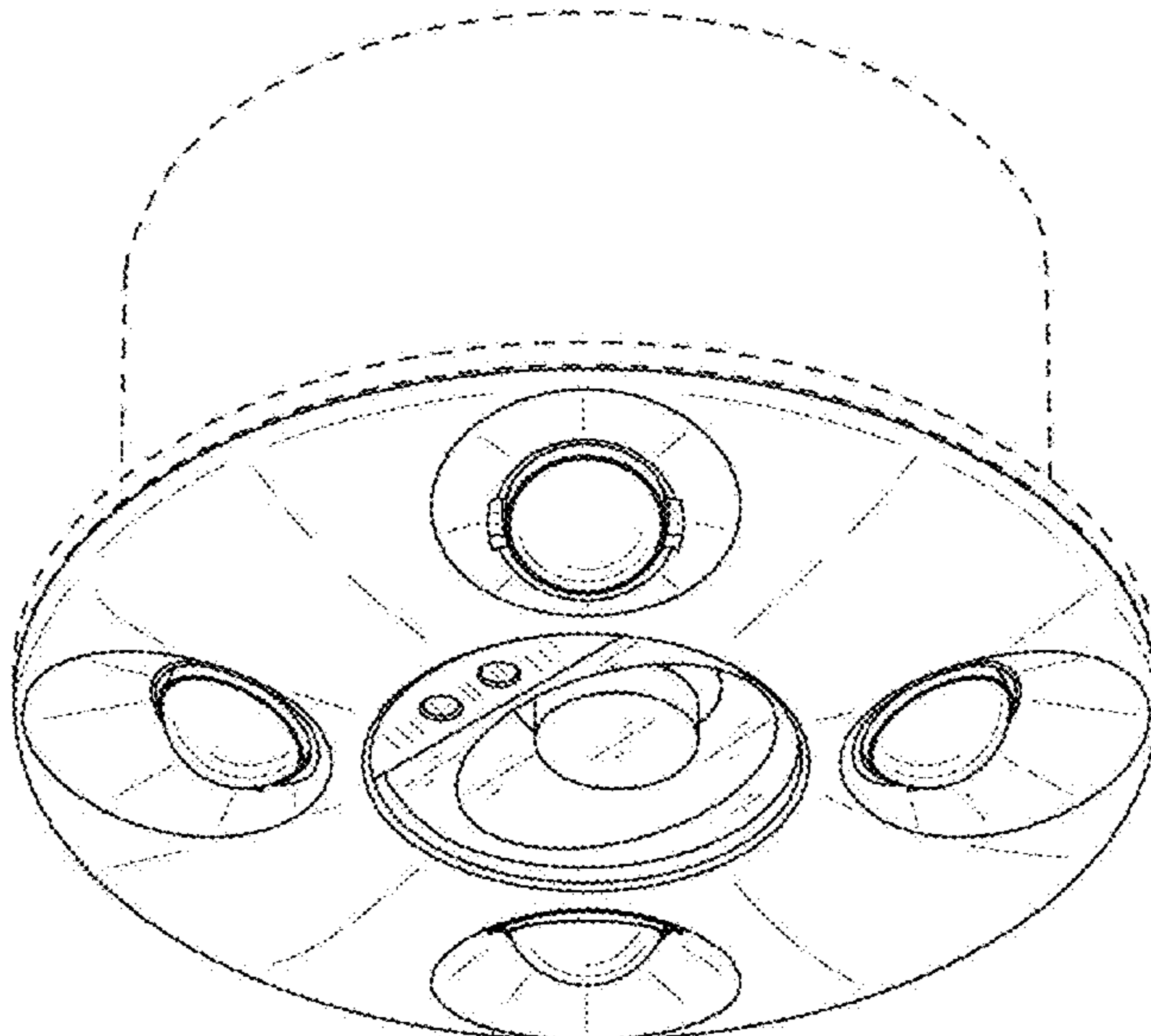


FIG. 1

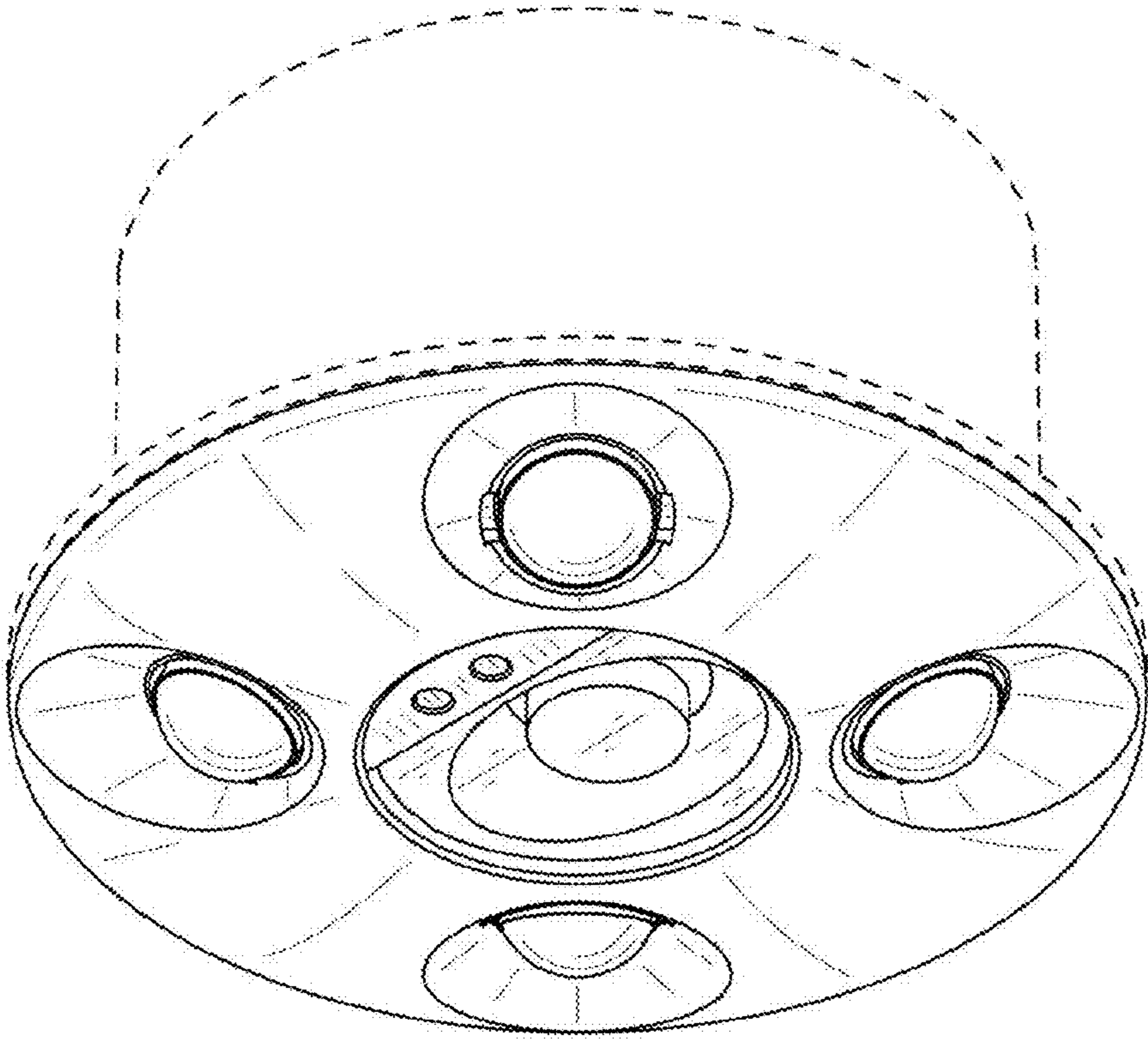


FIG. 2

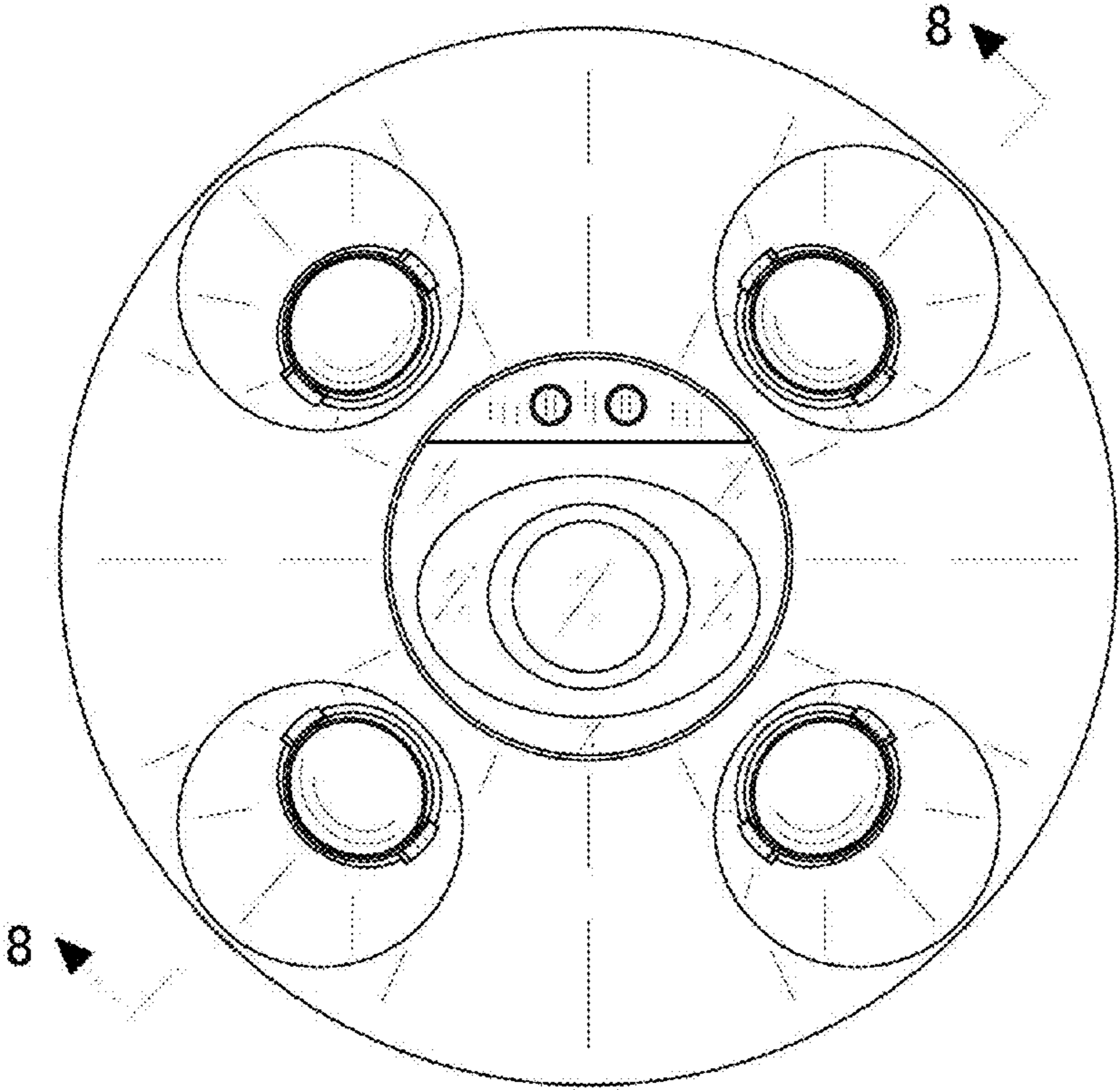


FIG. 3

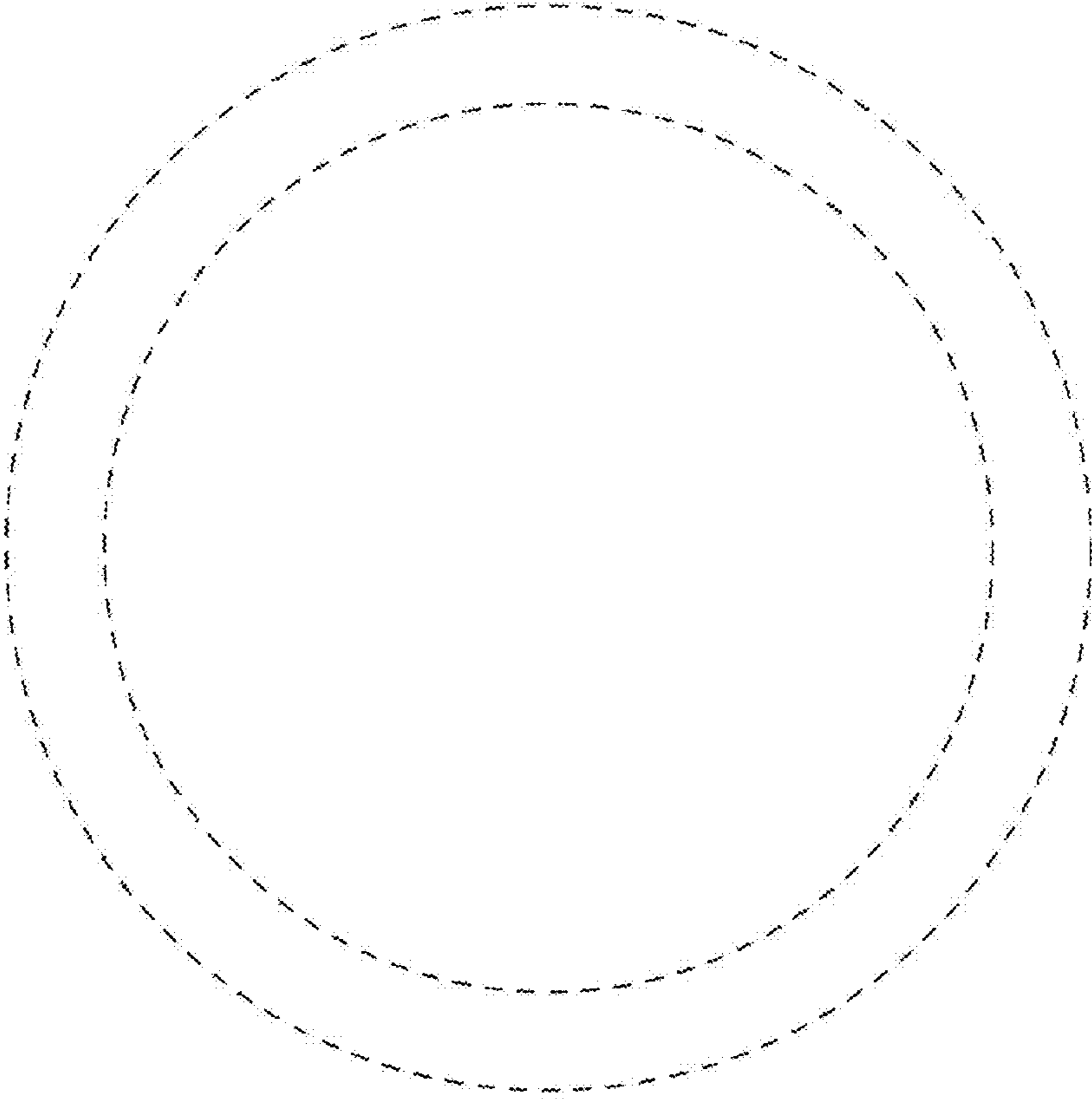


FIG. 4

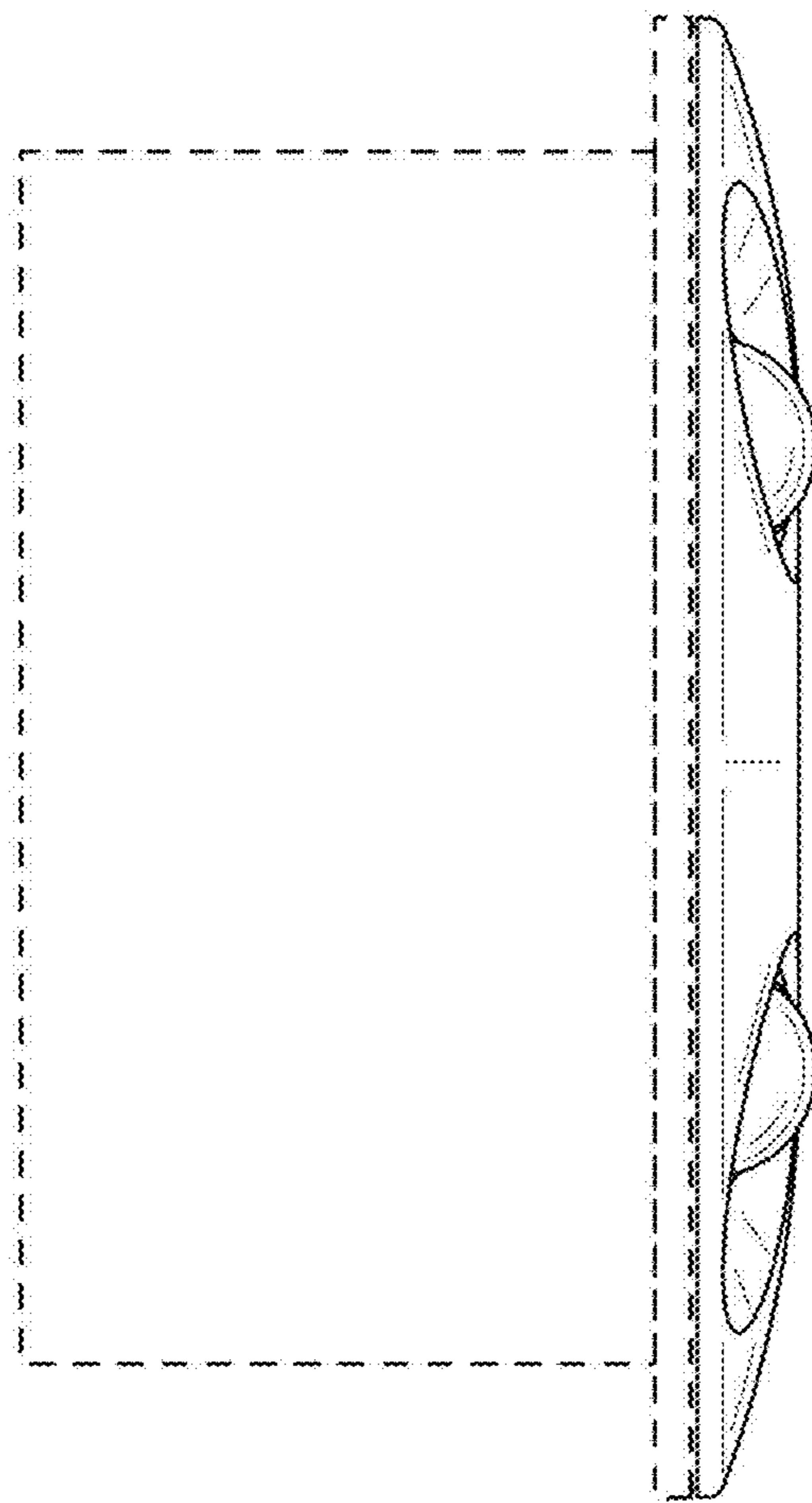


FIG. 5

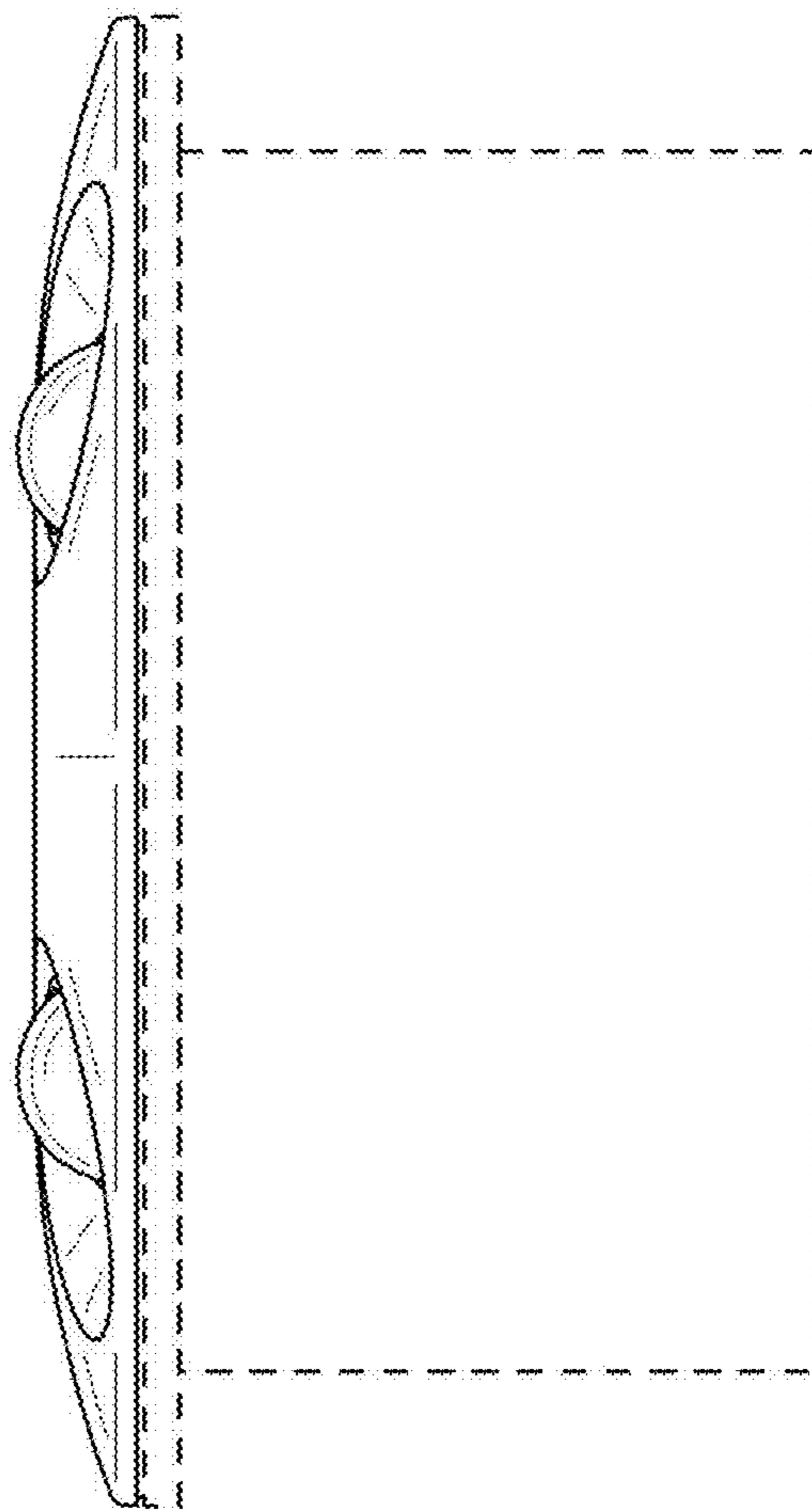


FIG. 6

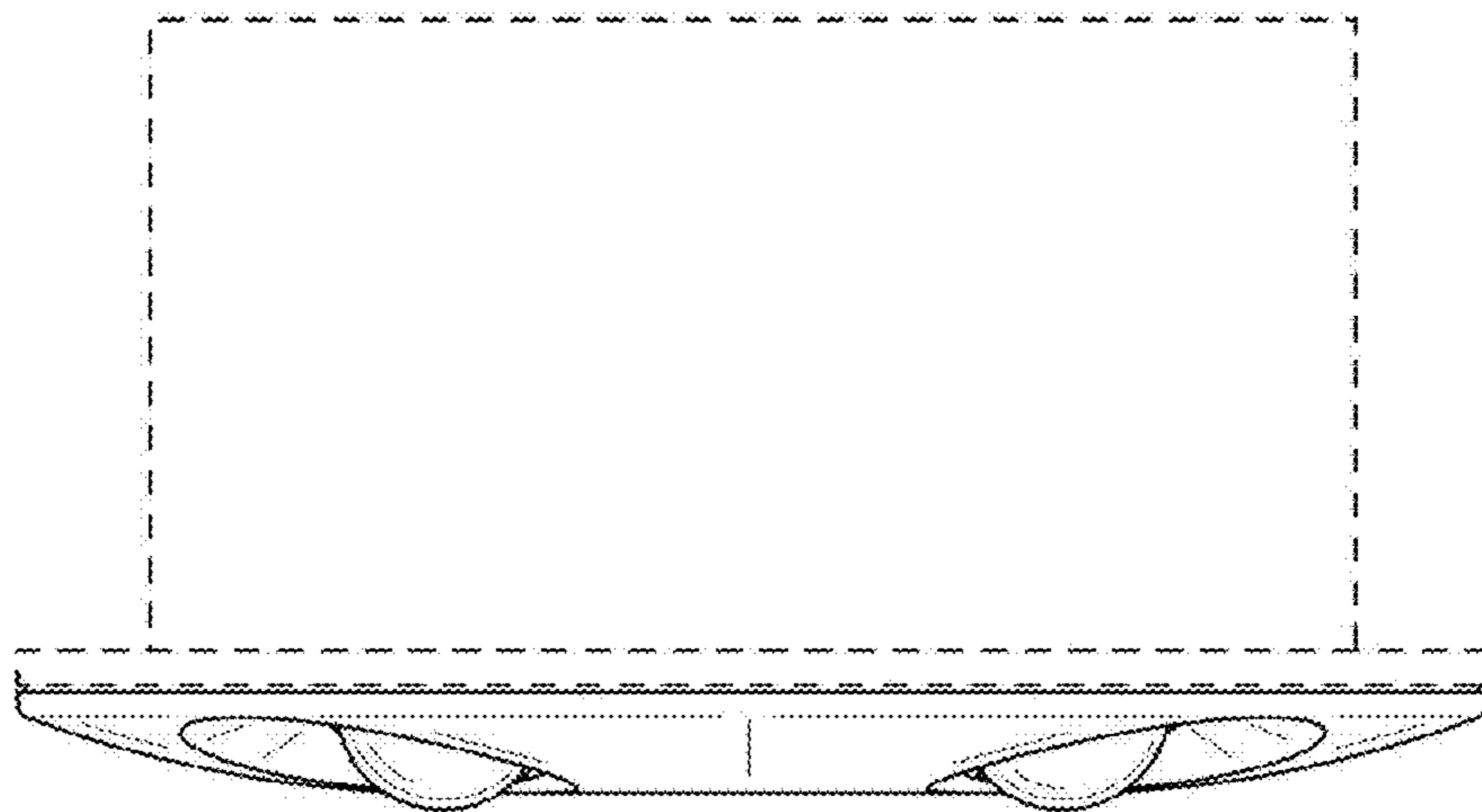


FIG. 7

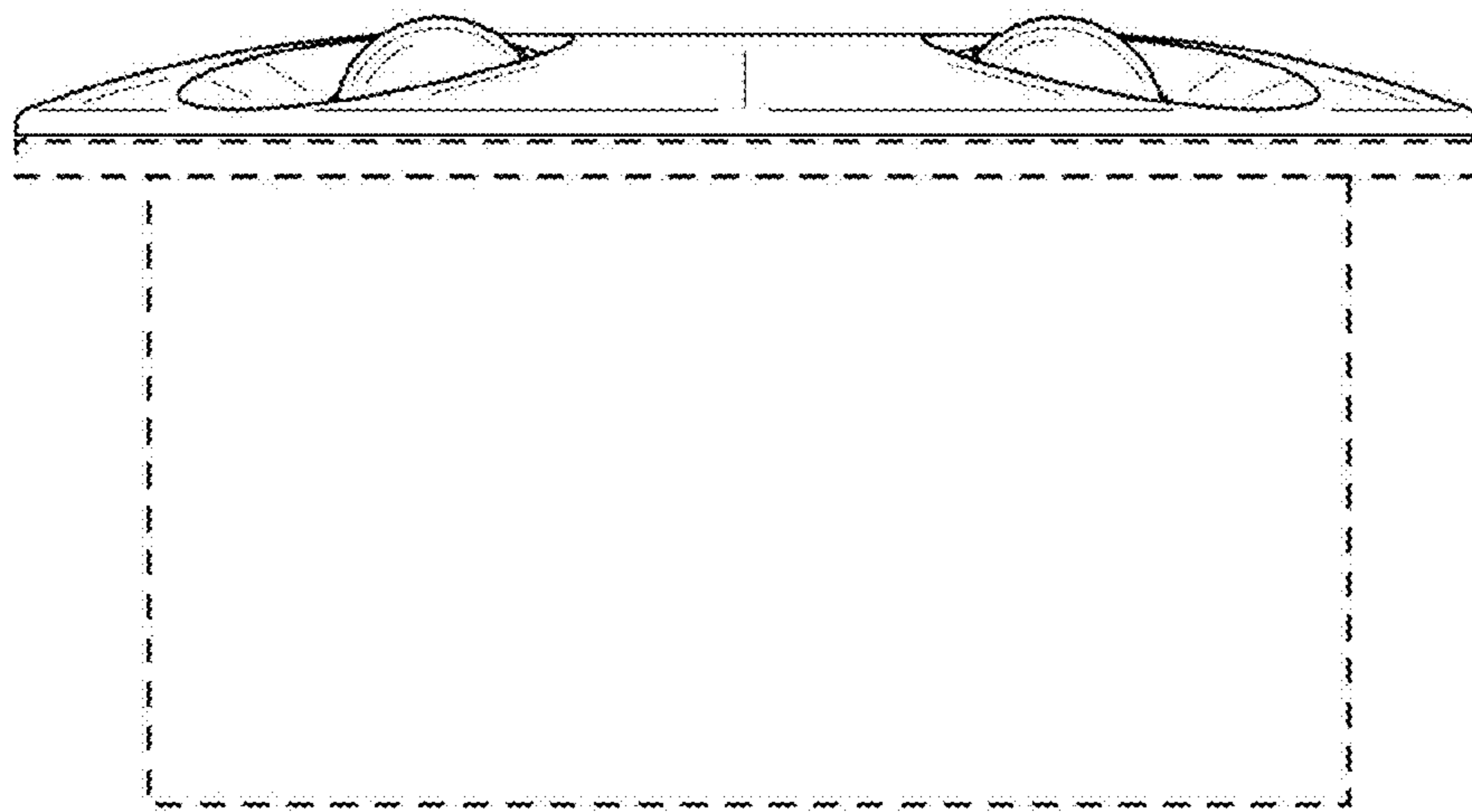




FIG. 8

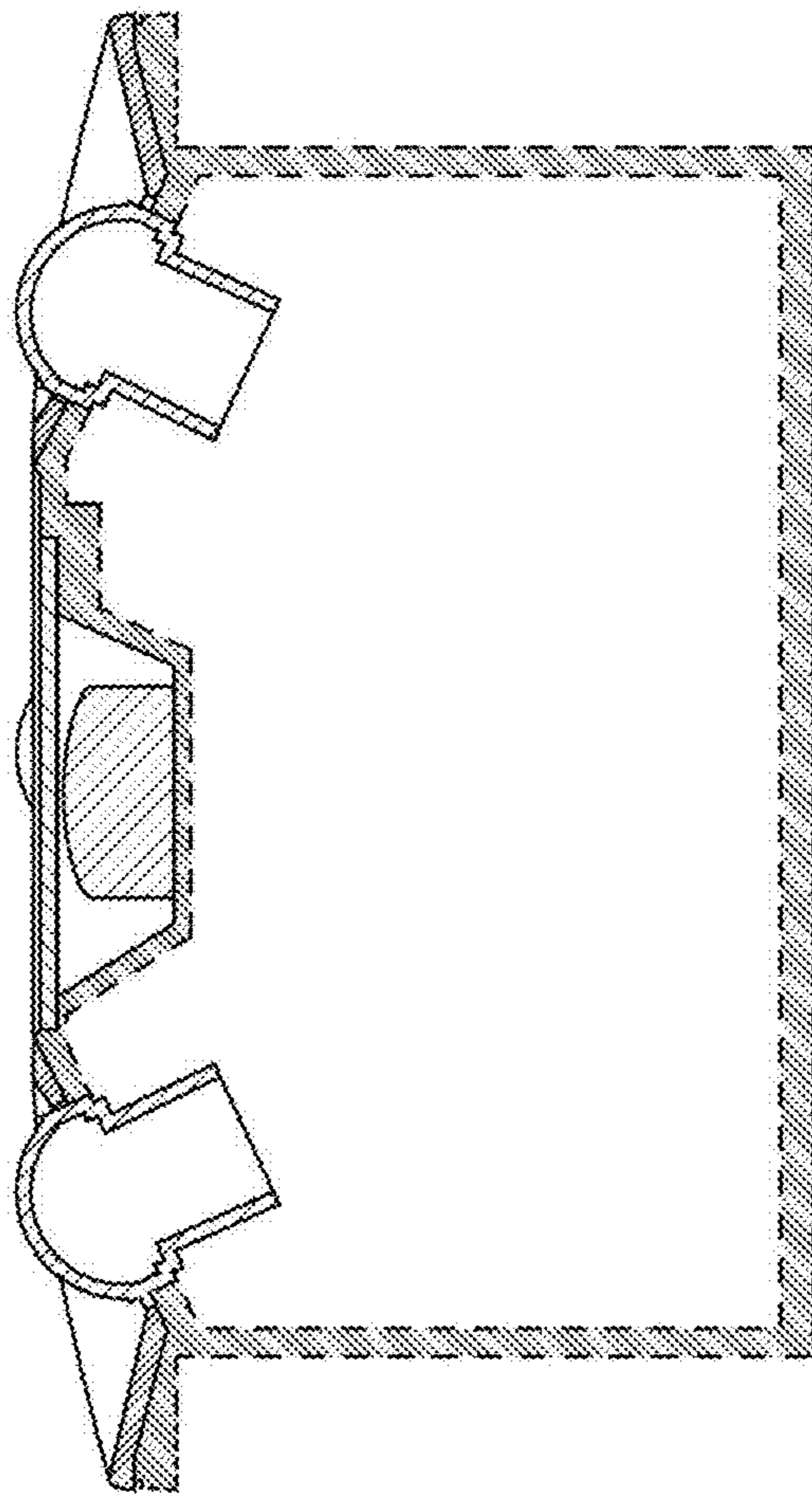


FIG. 9

