



US00D735065S

(12) **United States Design Patent**
Wojciechowski et al.

(10) **Patent No.:** **US D735,065 S**
(45) **Date of Patent:** **** Jul. 28, 2015**

(54) **LEVEL WITH ELECTRONIC DISPLAY**

D555,523 S 11/2007 Nickel et al.
D633,400 S 3/2011 Wojciechowski et al.
D634,221 S 3/2011 Wojciechowski et al.
D656,425 S 3/2012 Wojciechowski et al.

(71) Applicant: **Johnson Level & Tool Mfg. Co., Inc.**,
Mequon, WI (US)

* cited by examiner

(72) Inventors: **Timothy J. Wojciechowski**, Hubertus,
WI (US); **Dave Statza**, Menomonee
Falls, WI (US)

Primary Examiner — Antoine D Davis

(74) *Attorney, Agent, or Firm* — Boyle Fredrickson, S.C.

(73) Assignee: **Johnson Level & Tool Mfg. Co., Inc.**,
Mequon, WI (US)

(57) **CLAIM**

The ornamental design of a level with electronic display, as shown and described.

(**) Term: **14 Years**

DESCRIPTION

(21) Appl. No.: **29/473,791**

(22) Filed: **Nov. 26, 2013**

(51) **LOC (10) Cl.** **10-04**

(52) **U.S. Cl.**
USPC **D10/69**

(58) **Field of Classification Search**
USPC D10/69; 33/365, 366.11–366.27,
33/367–391

CPC G01C 9/18; G01C 9/24; G01C 9/26;
G01C 9/28; G01C 9/32; G01C 9/34

See application file for complete search history.

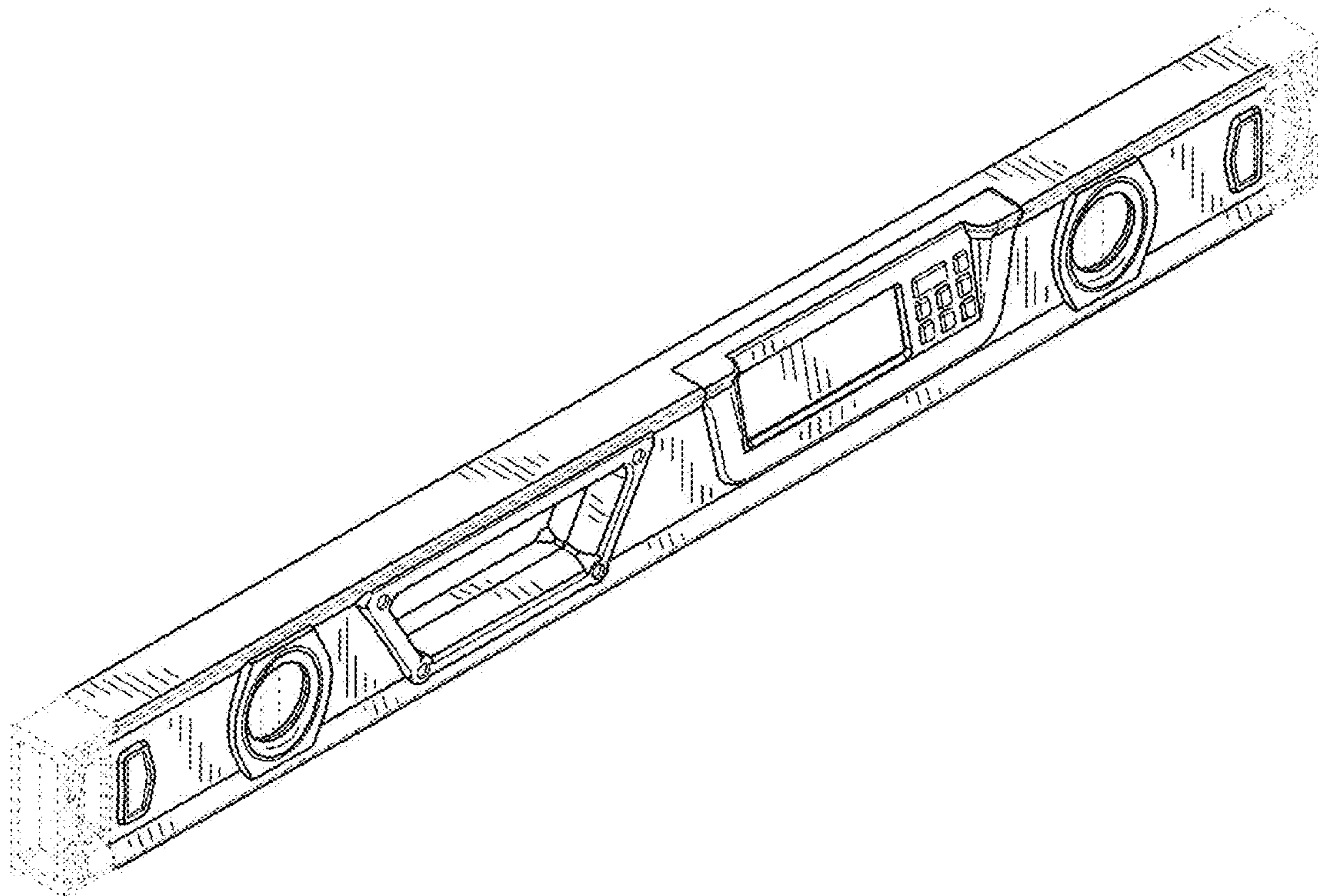
FIG. 1 is an isometric view of a first embodiment of a level incorporating our new design, wherein the portions in phantom form no part of the claimed design; FIG. 2 is a front elevation view thereof; FIG. 3 is a rear elevation view thereof; FIG. 4 is a top plan view thereof; FIG. 5 is a bottom plan view thereof; FIGS. 6 and 7 are end elevation views thereof; FIG. 8 is an isometric view of a second embodiment of a level incorporating our new design, wherein the portions in phantom form no part of the claimed design; FIG. 9 is a front elevation view thereof; FIG. 10 is a rear elevation view thereof; FIG. 11 is a top plan view thereof; FIG. 12 is a bottom plan view thereof; and, FIGS. 13 and 14 are end elevation views thereof.

(56) **References Cited**

U.S. PATENT DOCUMENTS

D364,104 S 11/1995 Johnson
D521,399 S 5/2006 Johnson et al.
D535,576 S * 1/2007 Schafer et al. D10/69

1 Claim, 8 Drawing Sheets



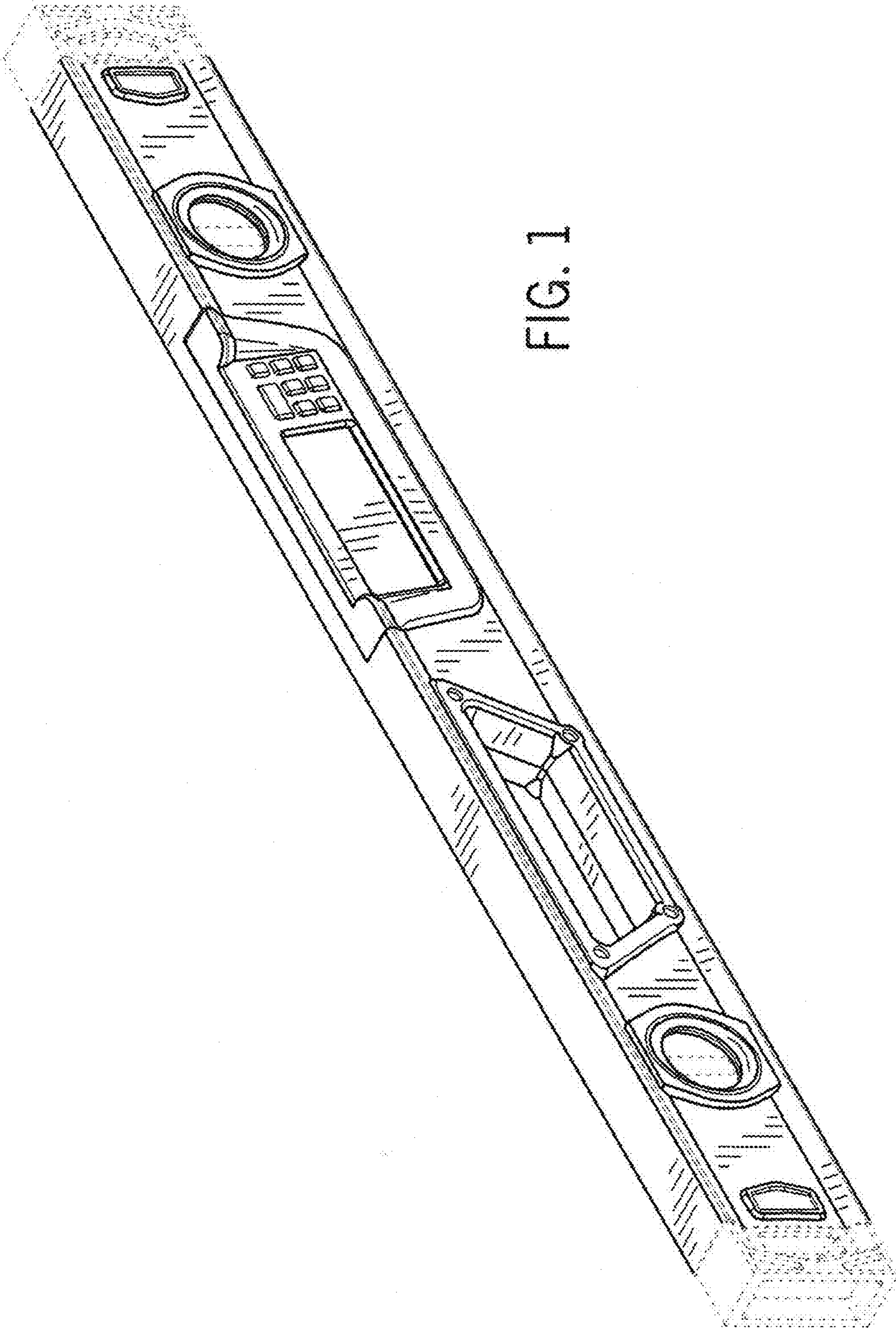


FIG. 1

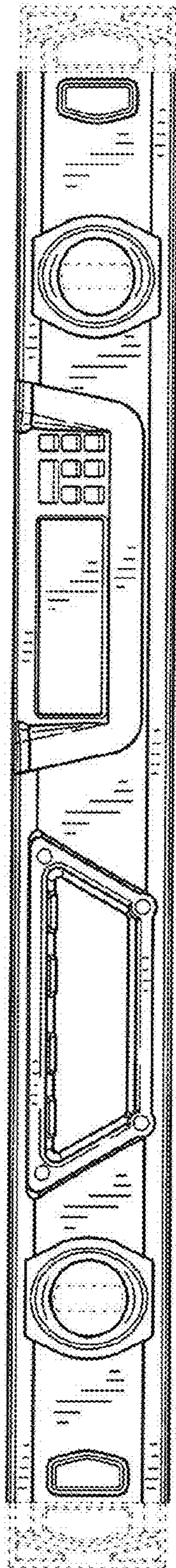


FIG. 2

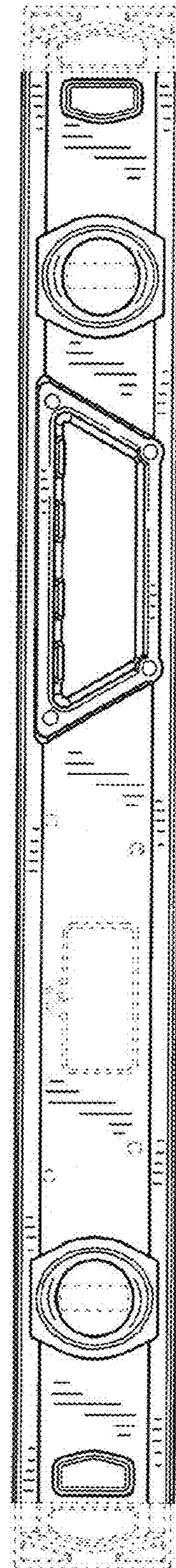


FIG. 3

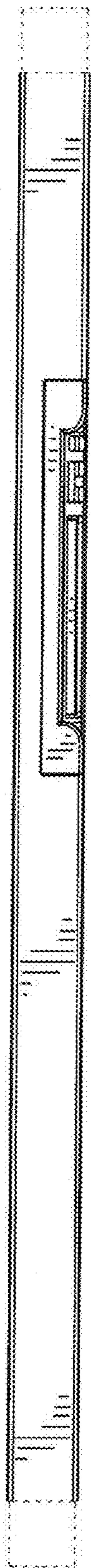


FIG. 4

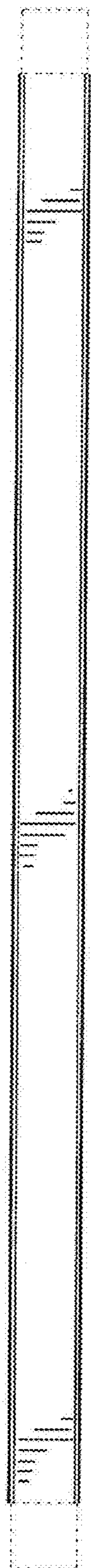


FIG. 5

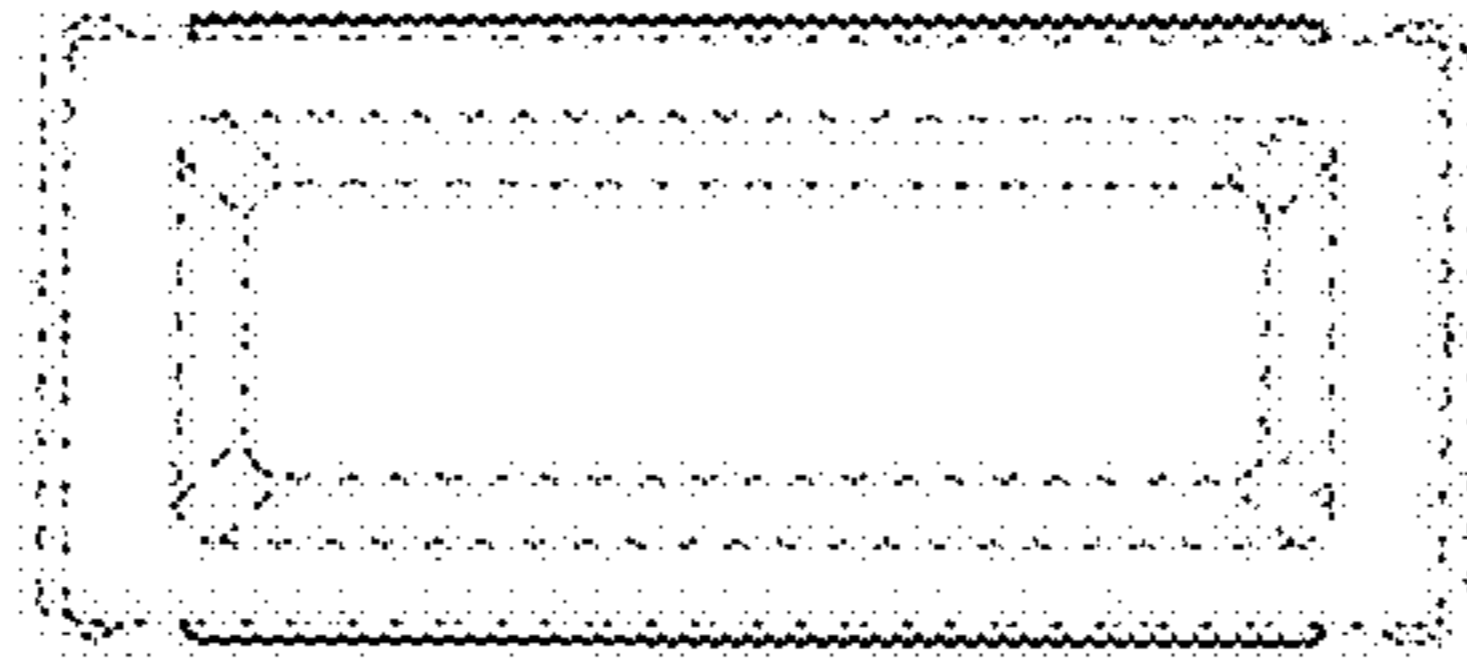


FIG. 7

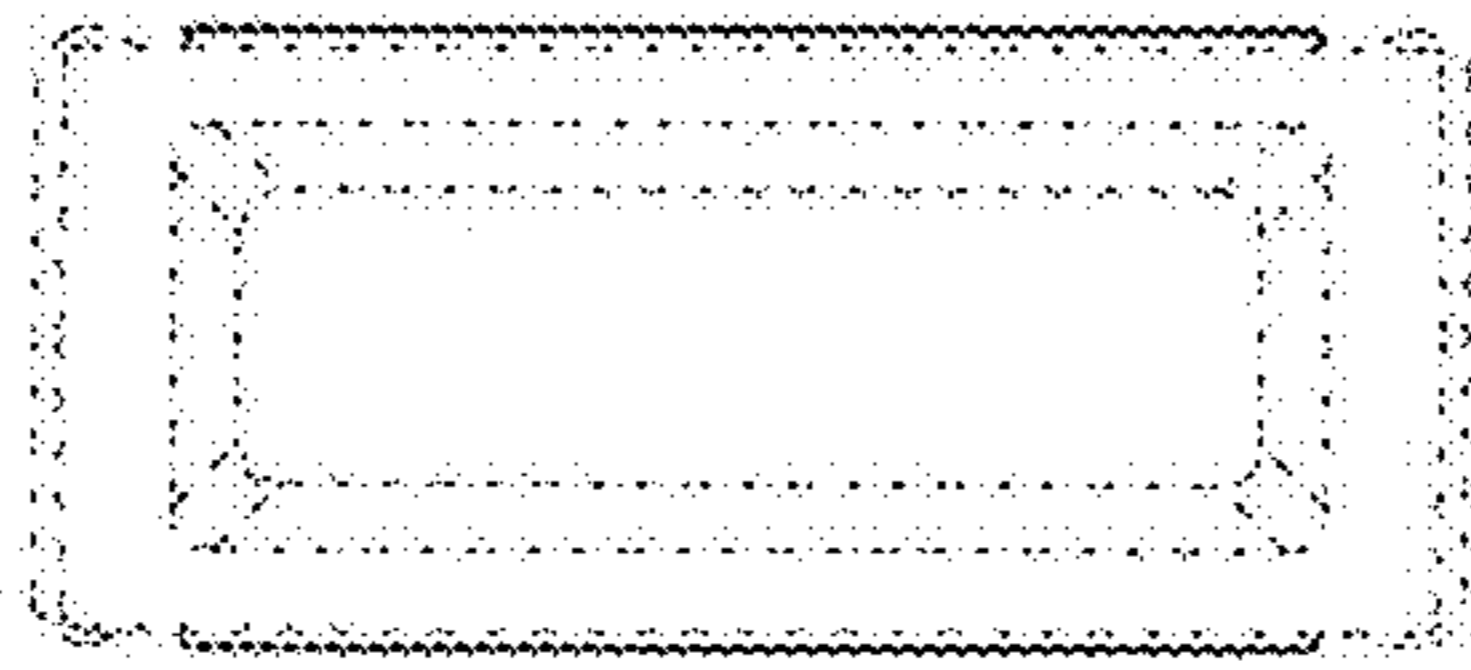


FIG. 6

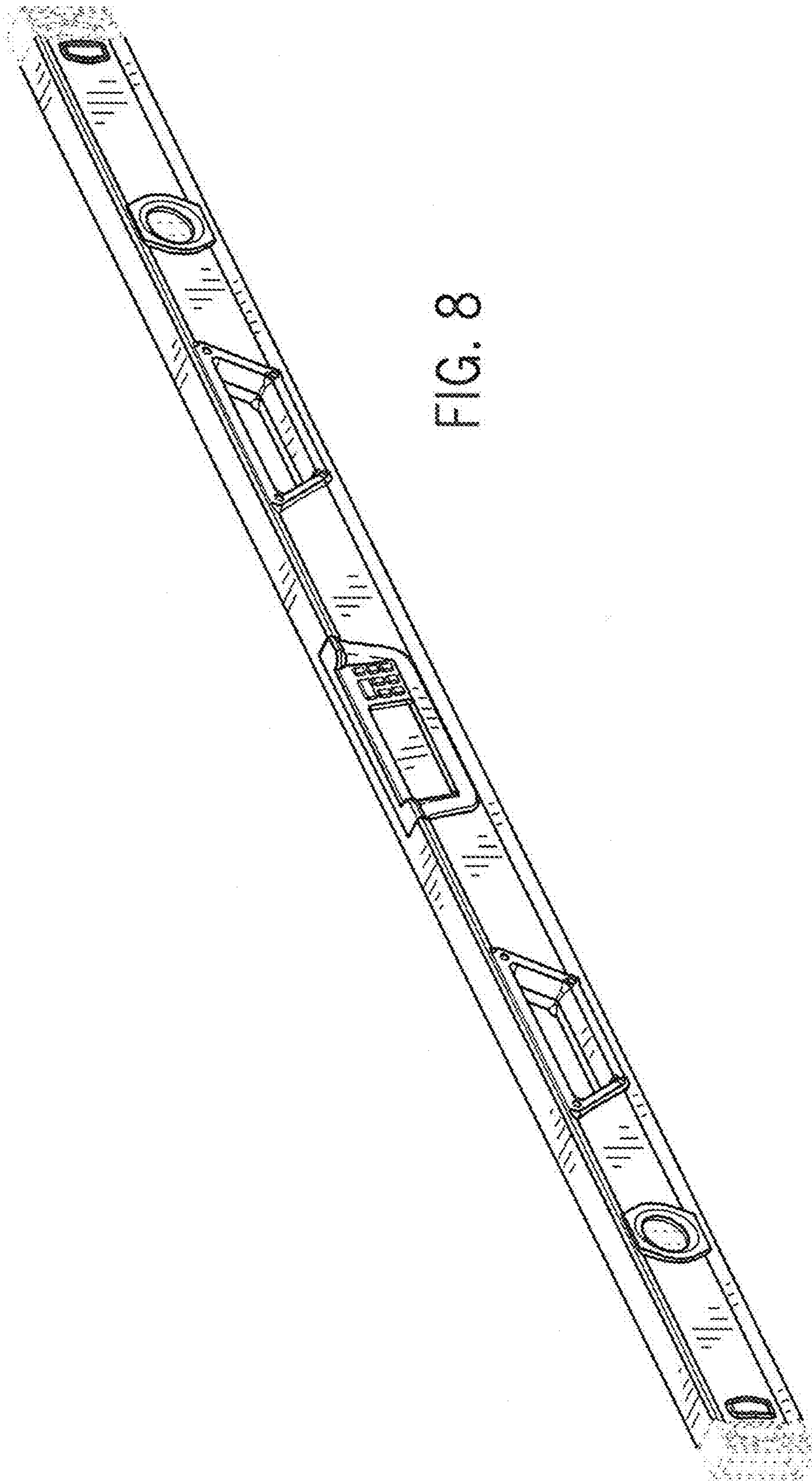


FIG. 8

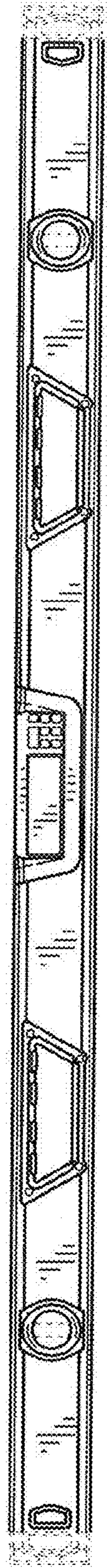


FIG. 9

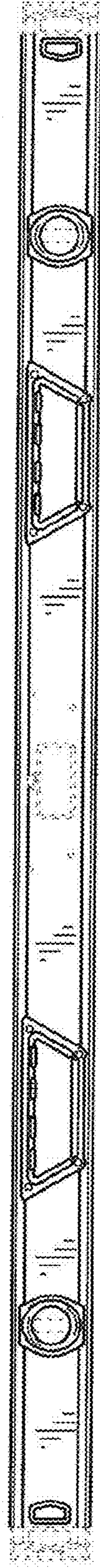


FIG. 10

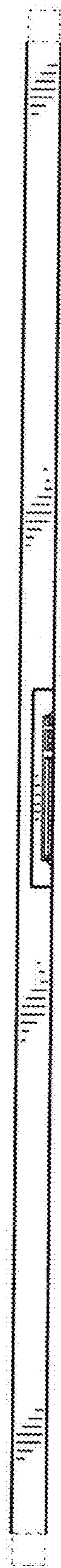


FIG. 11



FIG. 12



FIG. 14

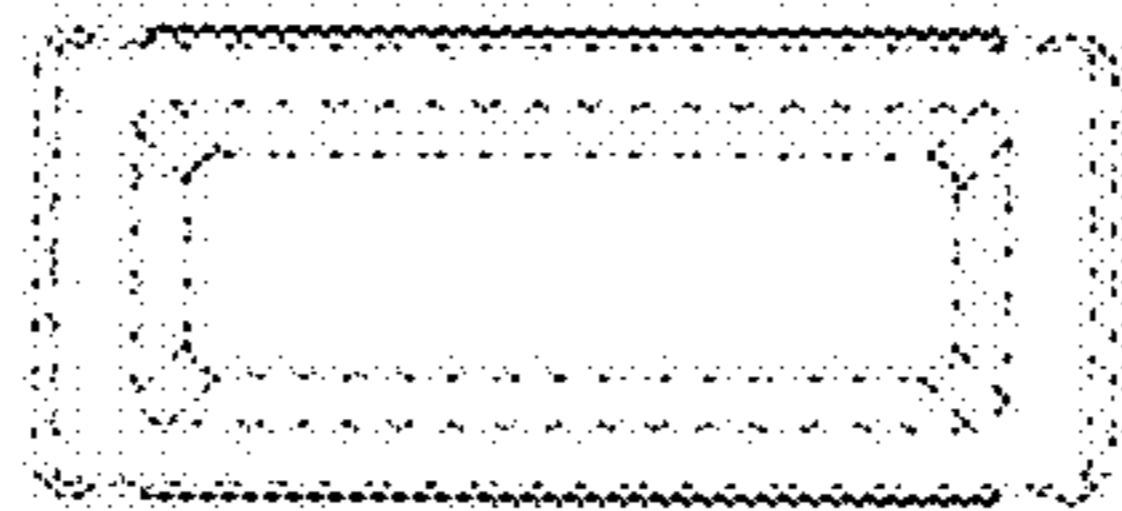


FIG. 13